

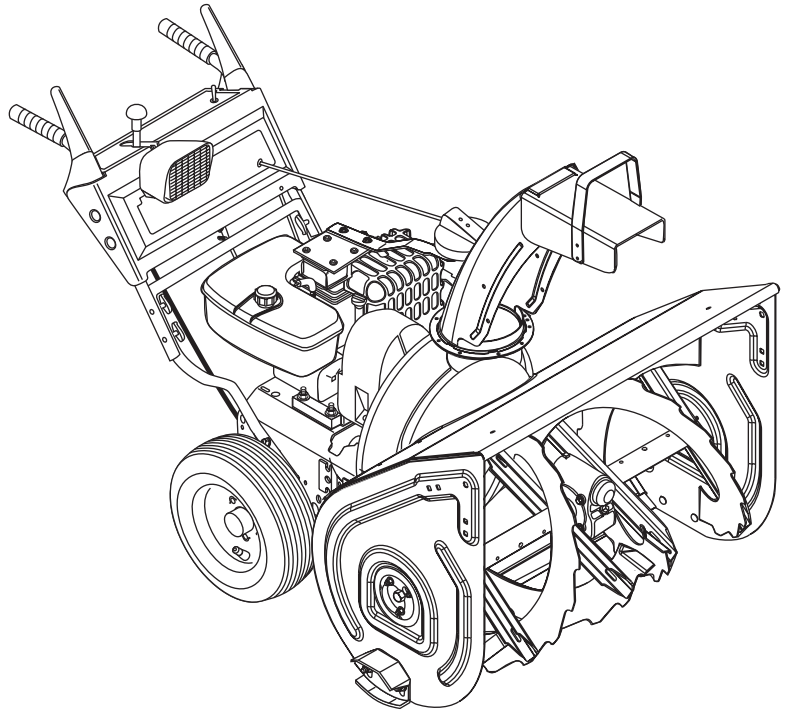


Sno-Thro.®

Parts Manual

Models

- 924119 -1028
- 924120 -1024
- 924333 -1024
- 924334 -1128
- 924502 -1332
- 924503 -1336
- 924504 - 936



THE MANUAL

Before you operate your unit, carefully and completely read manuals supplied with the unit. The contents will provide you with an understanding of safety instructions and controls during normal operation and maintenance.

For your safety and the safety of others always read, understand, and follow all DANGER, WARNING, and CAUTION messages found in manuals and on safety decals.

Hardware descriptions are given in decimals.

Decimals to Fractions			
.063	1/16	.563	9/16
.125	1/8	.625	5/8
.188	3/16	.688	11/16
.250	1/4	.750	3/4
.313	5/16	.813	13/16
.375	3/8	.875	7/8
.438	7/16	.938	15/16
.500	1/2	1.00	1

SERVICE AND REPLACEMENT PARTS

When ordering replacement parts or making service inquiries, know the Model and Serial numbers of your unit and engine.

Numbers are located on the product registration card in the unit literature package. They are printed on a serial number label, located on the frame of your unit.

- Record Unit Model and Serial numbers here:

- Record Engine Model and Serial numbers here:

UNAUTHORIZED REPLACEMENT PARTS

Use only Ariens replacement parts. The replacement of any part on this vehicle with anything other than an Ariens authorized replacement part may adversely affect the performance, durability, or safety of this unit and may void the warranty. disclaims liability for any claims or damages, whether warranty, property damage, personal injury or death arising out of the use of unauthorized replacement parts.

PRODUCT REGISTRATION

A warranty registration card must be filled out, signed, and returned at time of purchase. This card activates the warranty. Claims meeting requirements during limited warranty period will be honored..

YOUR SATISFACTION IS IMPORTANT

Questions? Please follow these helpful steps:

1. Refer to the manuals supplied with your unit.
They will guide you through safe and proper operation and maintenance.
They contain specifications on your unit.
If your questions are not answered in these manuals, go to step number two.
2. Contact Your Dealer.
Our dealers will be happy to supply any service or advice required to keep your unit operating at peak efficiency.
A factory trained staff is available to support your equipment needs. They stock genuine Ariens parts and lubricants manufactured with the same precision and skill as the original.
If your questions are not resolved by the support staff, ask for the manager or owner.
When contacting your Dealer supply your model and serial numbers.

TO SPEED PARTS ORDERING:

1. Know the model and serial numbers of your unit.
2. Know the part number required.
3. Know the quantity required.
4. Know the part description.

MODELS

Domestic

Model 924119 (1028)

10 H.P. 28" Sno-Thro
Serial No. 000101 and up

Model 924120 (1024)

10 H.P. 24" Sno-Thro
Serial No. 000101 and up

International

Model 924333 (1024)

10 H.P. 24" Sno-Thro
Serial No. 000101 and up

Model 924334 (1128)

11 H.P. 28" Sno-Thro
Serial No. 000101 and up

Global

Model 924502 (1332)

13 H.P. 32" Sno-Thro
Serial No. 000101 and up

Model 924503 (1336)

13 H.P. 36" Sno-Thro
Serial No. 000101 and up

Model 924504 (936)

9 H.P. 36" Sno-Brush
Serial No. 000101 and up

TABLE OF CONTENTS

DECALS

Decals 4

ENGINE AND DRIVE

Engine and Belt Drive 6

MAIN FRAME

Speed Selector and Frame 8
Wheels and Axle 10
Reduction Drive 12
Friction Wheel Drive 13

OPERATORS CONTROLS

Handlebar and Controls 14
Headlight 17

BLOWER

Auger and Battery 18
Gear Case-Aluminum 21
Gear Case-Cast Iron 22
Discharge Chute Crank 24
Electric Discharge Chute 26

BRUSH

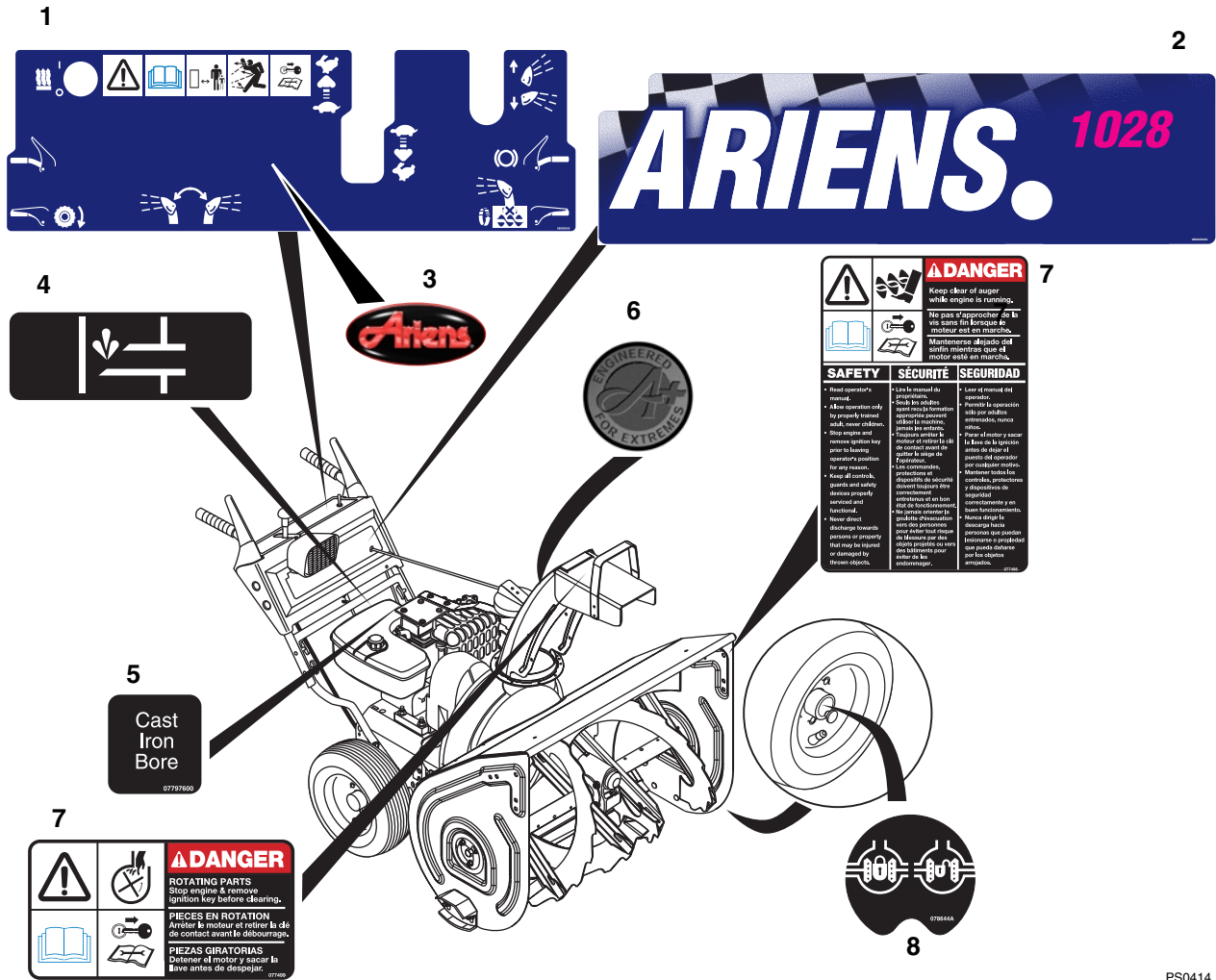
Brush Head 28
Brush Drive Unit 30

ELECTRICAL SYSTEMS

Continuity Diagram (333, 334) 32
Wiring Diagram (333, 334) 33
Continuity Diagram (502, 503) 34
Wiring Diagram (502, 503) 35
Continuity & Wiring Diagrams (119, 120, 504) 36

DECALS

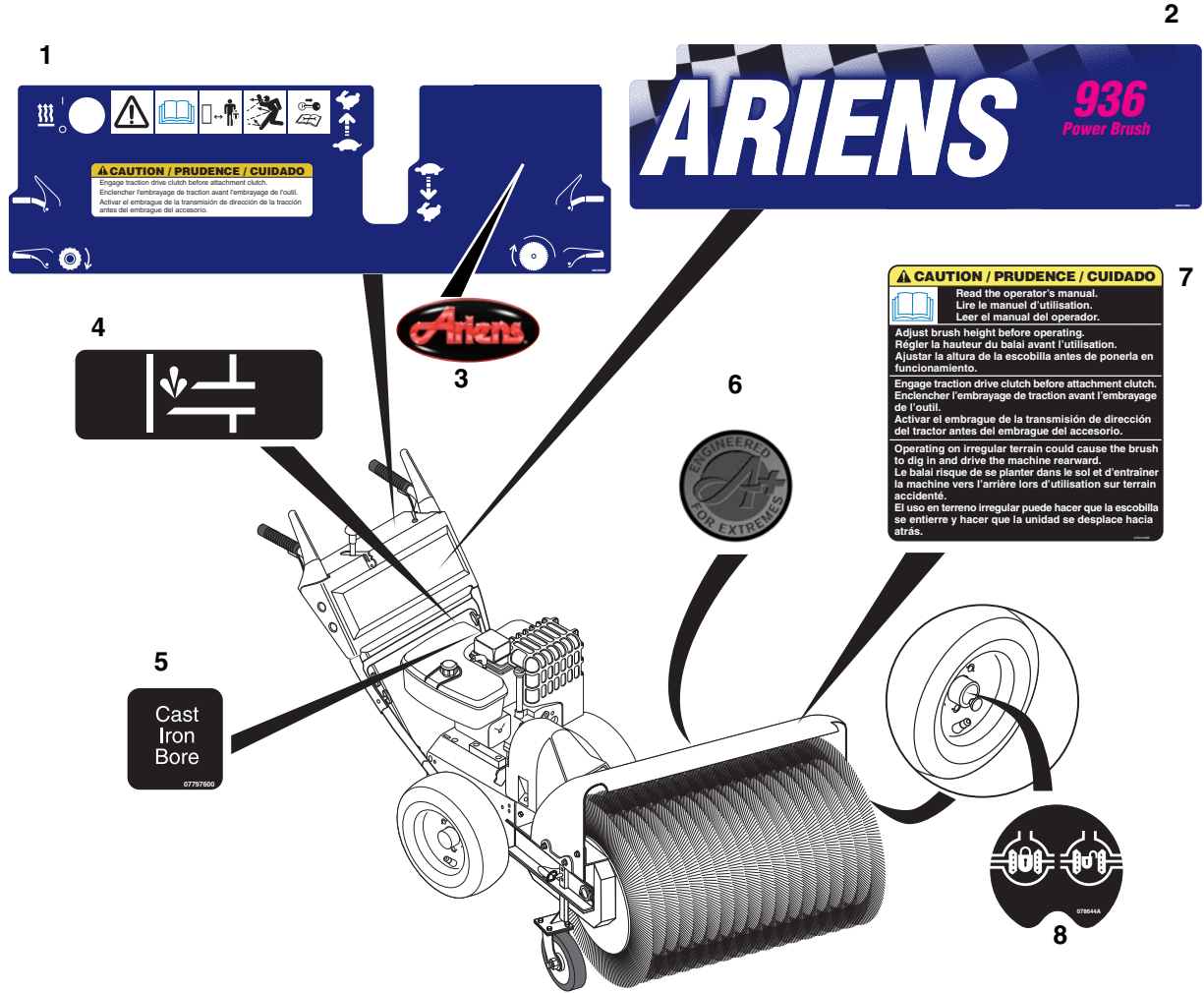
Model 924119, 120, 333, 334, 502, 503



Item	Part No.	Qty.	Description
1	08085000	1	Decal-Dash 1028 (119)
	08084900	1	Decal- 1024 Dash (120)
	08085300	1	Decal- 1024/1128 Dash (333, 334)
	08085100	1	Decal- 1332/1336 Dash (502, 503)
	08084800	1	Decal- 936 Dash (504)
2	08084200	1	Decal- 1024 Front Panel (120, 333)
	08084300	1	Decal- 1028 Front Panel (119)
	08084400	1	Decal- 1128 Front Panel (334)
	08084500	1	Decal- 1332 Front Panel (502)
	08084600	1	Decal- 1336 Front Panel (503)
3	07746400	1	Decal-Ariens Jewel
4	07733900	1	Decal-Primer
5	07797600	1	Decal- Cast Iron Bore
6	07751100	1	Decal-A+
7	62447800	1	Decal-Set-Danger (119, 120, 333, 334, 502, 503)
8	07864400	1	Decal-Differential Lock (120, 333, 334, 502, 503)

DECALS

Model 924504

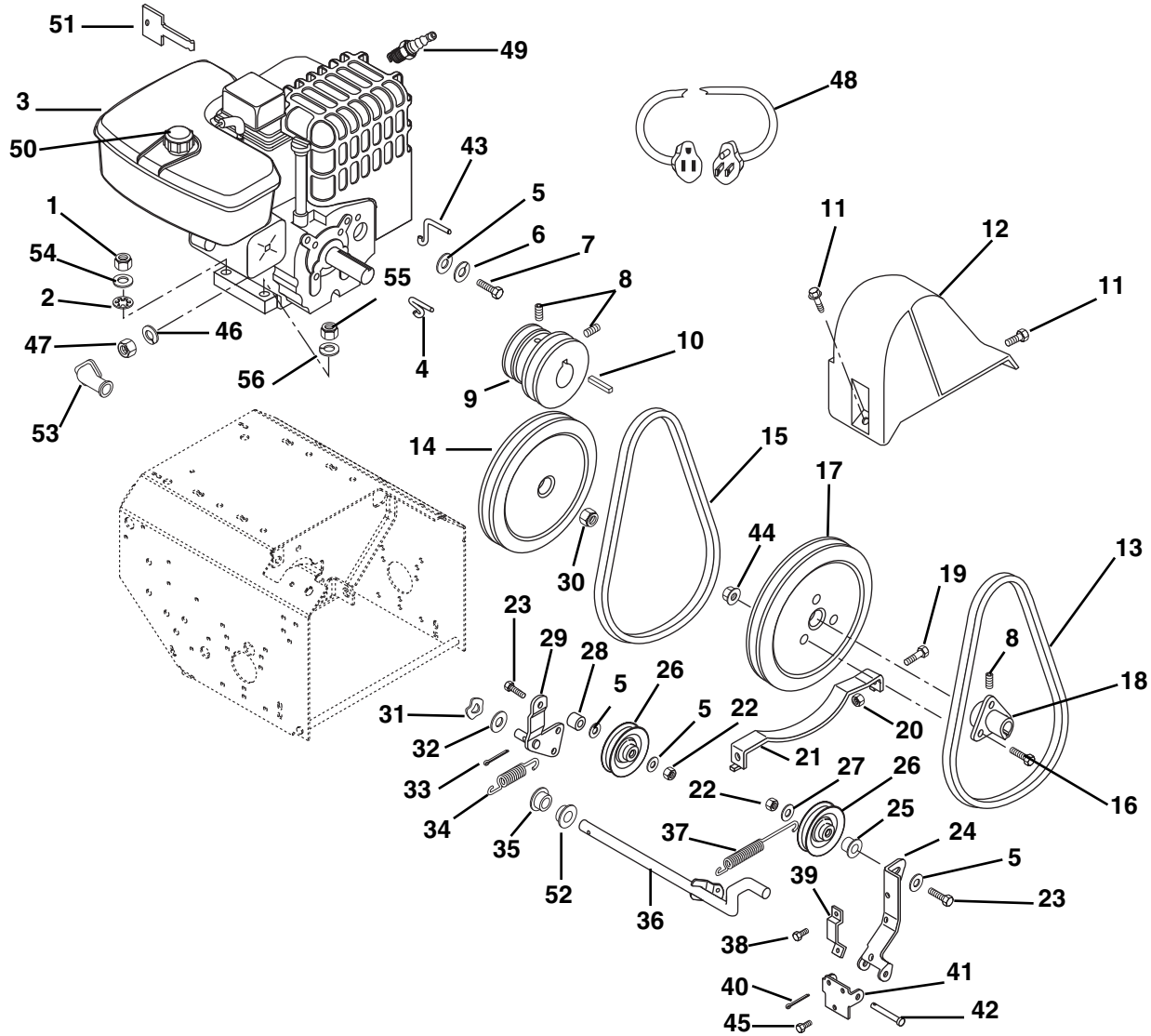


Item	Part No.	Qty.	Description
1	08084800	1	Decal- 936 Dash
2	08084700	1	Decal- 936 Front Panel
3	07746400	1	Decal-Ariens Jewel
4	07733900	1	Decal-Primer
5	07797600	1	Decal- Cast Iron Bore
6	07751100	1	Decal-A+
7	07873100	1	Decal, Caution
8	07864400	1	Decal-Differential Lock

PS0870

ENGINE AND BELT DRIVE

Model 924119, 120, 333, 334, 502, 503, 504



PS0448

Item	Part No.	Qty.	Description
1	06529800	1	Nut-Locking-Center .31-18
2	06310500	1	Washer-Lock Internal .31
3	08262200	1	Engine, 10HP L Head Tecumseh - 120 Volt (119)
	08260700	1	Engine, 10HP OHV Tecumseh- 120 Volt (120)
	08260800	1	Engine, 10HP OHV Tecumseh- 12 Volt (333)
	08261000	1	Engine, 11HP Tecumseh OHV 12 Volt (334)
	08261100	1	Engine, 13HP Tecumseh 12 Volt (502, 503)
	08261200	1	Engine, 9HP Tecumseh OHV (504)
4	02410900	1	Belt Finger
5	06435700	5	Washer-Flat-Steel .38 x .875 x .083
6	06308600	2	Washer-Locking .31 x .078
7	05947300	2	Bolt-Hex .31-24 x .75 Grade 5
8	06005500	4	Screw-Set .31-18 x .38
9	02489100	1	Engine Sheave (119, 120, 333, 334, 502, 504)
	02435700	1	Engine Sheave (503)

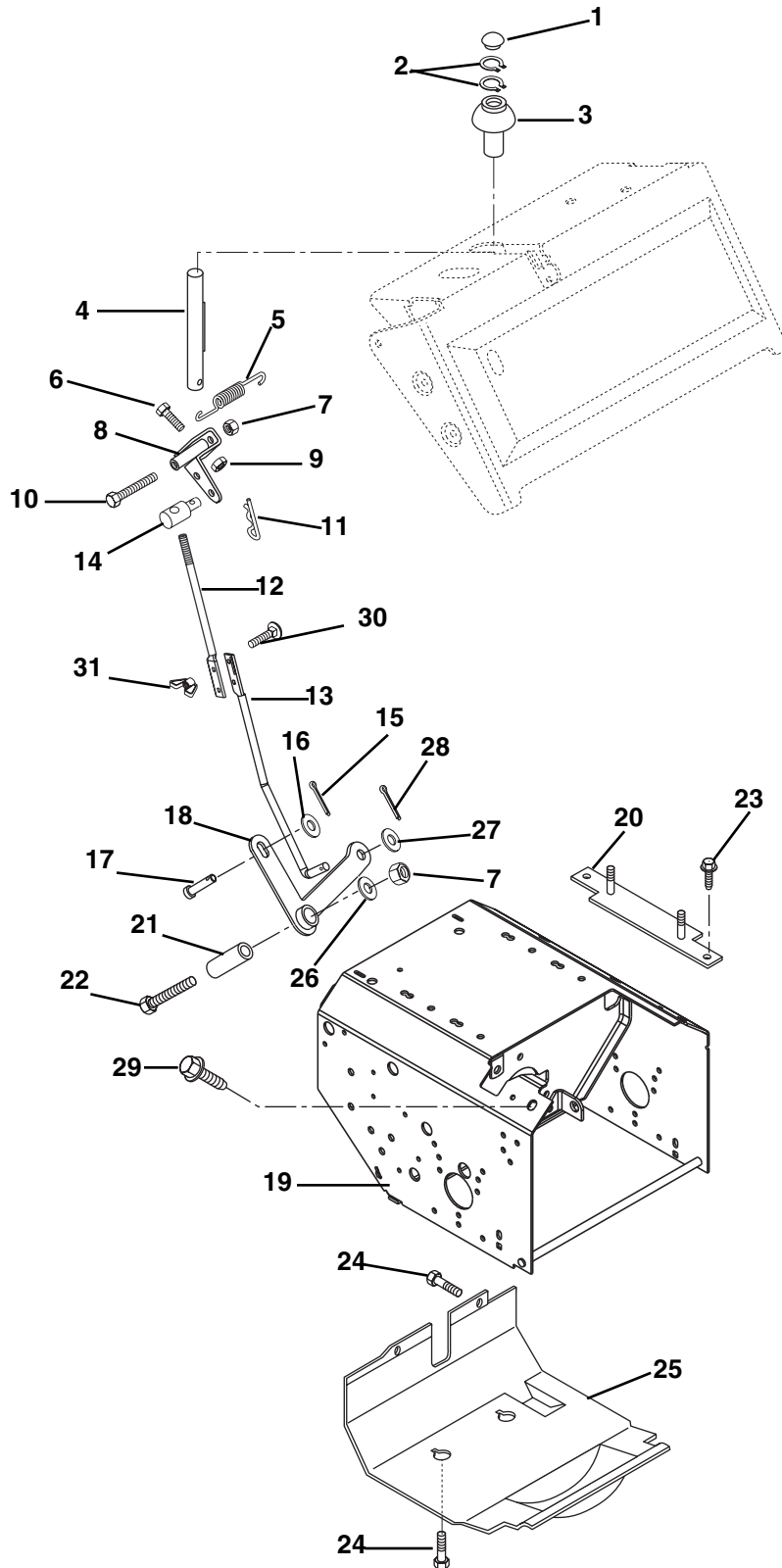
ENGINE AND BELT DRIVE

Model 924119, 120, 333, 334, 502, 503, 504

Item	Part No.	Qty.	Description
10	06601800	1	Key-Straight .25 x 1.75 x .25
11	07412000	2	Screw-Tap .25-20 x .50
12	02489000	1	Belt Cover
13	07238500	1	V-Belt (119)
	07238400	1	V-Belt (120, 333, 334, 504)
	07238300	1	V-Belt (502)
	07236200	1	V-Belt (503)
14	07325700	1	Pulley-V 8.40 x 1.0 with Key
15	07211200	1	V-Belt -Traction Drive (119, 120, 333, 334, 504)
	07236100	1	V-Belt -Traction Drive (502, 503)
16	07005300	3	Bolt-Serrated Round Head Slotted .31-18 x .75 (503)
17	07307000	1	Pulley-V 9.0 x 1.25
18	02438900	1	Hub (119, 120, 333, 334, 502, 503))
19	05947900	2	Bolt-Hex .25-20 x .50 Grade 5 (120, 333, 334, 502, 503, 504)
20	06529700	2	Nut-Locking-Center .25-20 (120, 333, 334, 502, 503, 504)
21	02423651	1	Belt Retainer (120, 333, 334, 502, 503, 504)
22	06529800	2	Nut-Locking Center .31-18
23	05947500	2	Bolt-Hex .31-18 x 1.25 Grade 5
24	02434851	1	Idler Arm
25	01213100	1	Bearing Spacer
26	02457400	2	Idler
27	06437200	1	Washer-Flat-Steel .344 x .688 x .065
28	01103100	1	Spacer
29	02453751	1	Idler Arm
30	06530300	1	Nut-Locking-Nylon .625-18
31	01026000	1	Wave Washer
32	06436500	1	Washer-Flat-Steel .382 x .812 x .023
33	06707000	1	Pin-Cotter .09 x 1.00
34	08309400	1	Spring-Tension .80 x .73 x 3.06
35	05503700	1	Bushing-Flange-Nylon .500 x .625 x .312 x .750
36	02442800	1	Activating Shaft
37	08317200	1	Spring-Tens .047 x .44 x 3.37
38	07412100	2	Screw-Tapping 10-24 x .375
39	02435300	1	Return Clip
40	06707400	1	Pin-Cotter .09 x .50
41	02434751	1	Bracket
42	02435400	1	Pin-Clevis
43	02411000	1	Belt Finger
44	06530400	3	Nut-Locking-Flange .312-18 (503)
45	07411600	3	Screw-Tap .25-20 x .37
46	06306800	1	Washer-Lock-External .262 x .502 x .026 (503)
47	06533200	1	Nut-Hex .25-20 (503)
48	02483100	1	Cord-Extension-110V (119, 120)
49	21533500	1	Plug-Spark
50	07531800	1	Fuel Cap
51	07532000	1	Key, Push/Pull-Tecumseh (119, 120)
52	05502100	1	Bushing-Flange .500 x.625 x.500 x.750
53	07533200	1	Boot, Eyelet Terminal(333, 334, 502, 503)
54	06436700	1	Washer-Flat-Steel .323 x .625 x .062
55	06529200	3	Nut-Hex .312-18
56	06307400	3	Washer-Locking .312 x .097 Heavy

SPEED SELECTOR AND FRAME

Model 924119, 120, 333, 334, 502, 503, 504



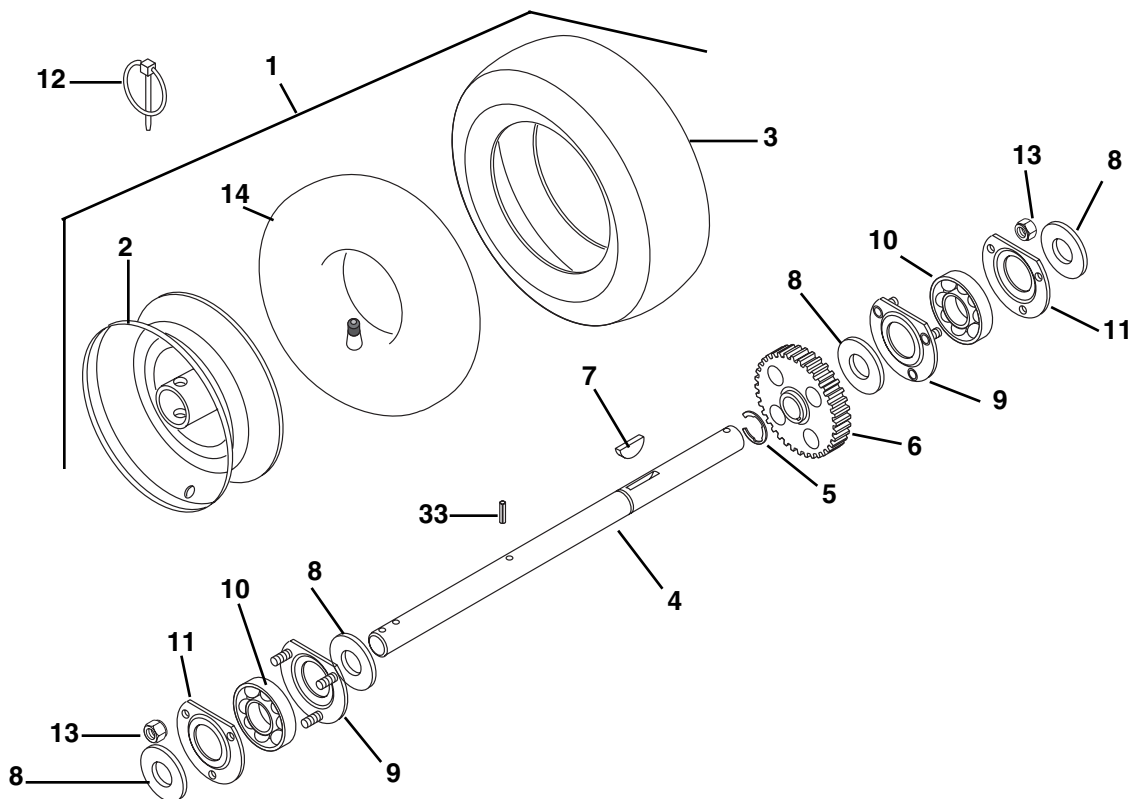
SPEED SELECTOR AND FRAME

Model 924119, 120, 333, 334, 502, 503, 504

Item	Part No.	Qty.	Description
1	07516700	1	Hole Plug
2	05708600	2	Ring-Retainer-External .500 x .015
3	07509600	1	Knob
4	02444851	1	Rod
5	08318400	1	Spring, Tension .055 x .33 x 1.31
6	05947700	1	Bolt-Hex .25-20 x 1.00
7	06529800	1	Nut-Locking-Center .312-18
8	02462600	1	Pivot
9	06529700	1	Nut-Locking-Center .25-20
10	05948000	1	Bolt-Hex .31-18 x 3.50
11	06713500	2	Pin-Hair Internal .08 x .18 x 1.18
12	02487600	1	Rod, Shift-Upper
13	02487700	1	Rod, Shift-Lower
14	02477900	1	Pivot, Rod
15	06706900	1	Pin-Cotter .09 x .75
16	06436500	1	Washer-Flat-Steel .382 x .812 x .023
17	01215100	1	Clevis Pin .370/.375 x .688
18	02476300	1	Arm, Shift
19	02485359	1	Main Frame
20	02401800	2	Bolt Strap (119, 120, 333, 334, 504)
	02483500	2	Bolt Strap (502, 503)
21	05531500	1	Bushing-Sleeve .328 x .50 x .75
22	05947500	1	Bolt-Hex .31-18 x 1.25 Grade 5
23	07411600	2	Screw-Tapping .250-20 x .37 Hex Washer Head
24	07411500	4	Screw-Tapping .31-18 x .50 Hex Washer Head
25	02477159	1	Cover, Bottom
26	06437200	1	Washer-Flat-Steel .344 x .688 x .065
27	06441900	1	Washer-Flat-Steel .531 x 1.06 x .095
28	06707300	1	Pin-Cotter .12 x .75
29	07028500	2	Bolt-Hex Flanged Whiz Lock Head .38-16 x .75
30	06219800	2	Bolt-Round Head Square Neck .25-20 x 1.00 Grade 5
31	06537500	2	Nut-Locking Wing .25-20

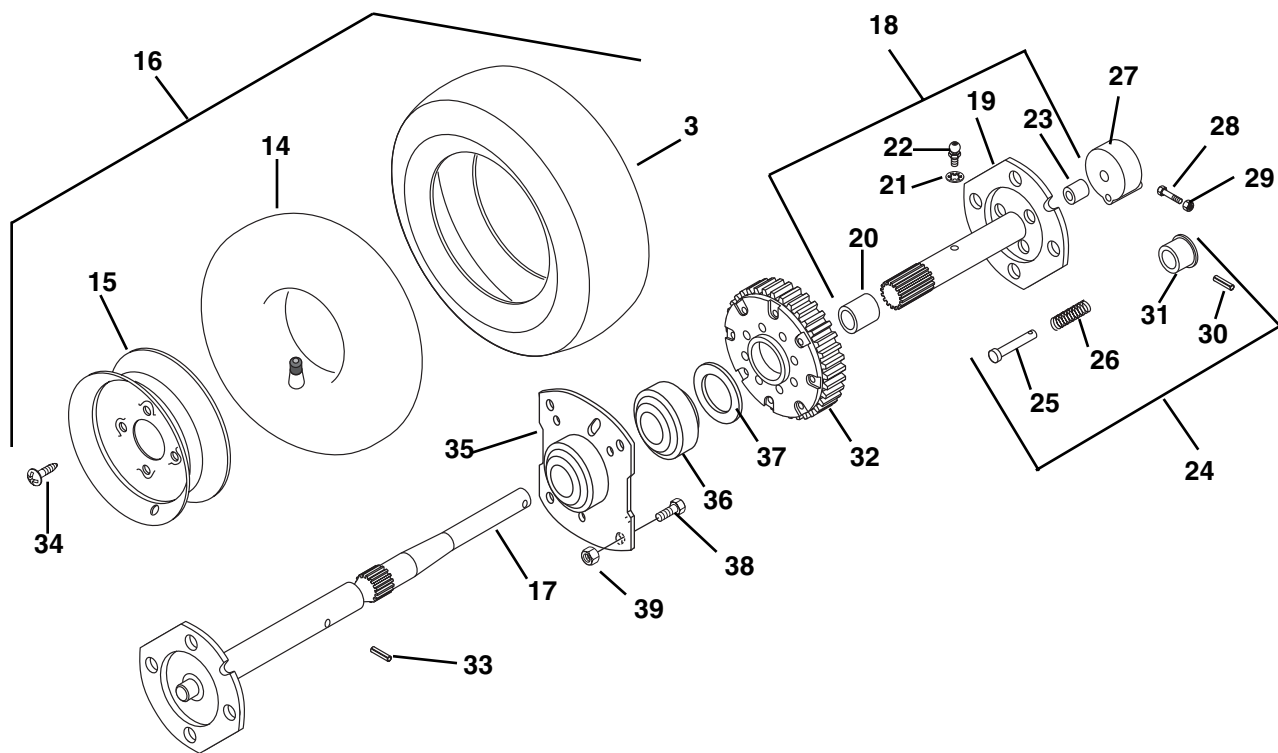
WHEELS AND AXLE

Model 924119



PS0800

Model 924120, 333, 334, 502, 503, 504



PS0790

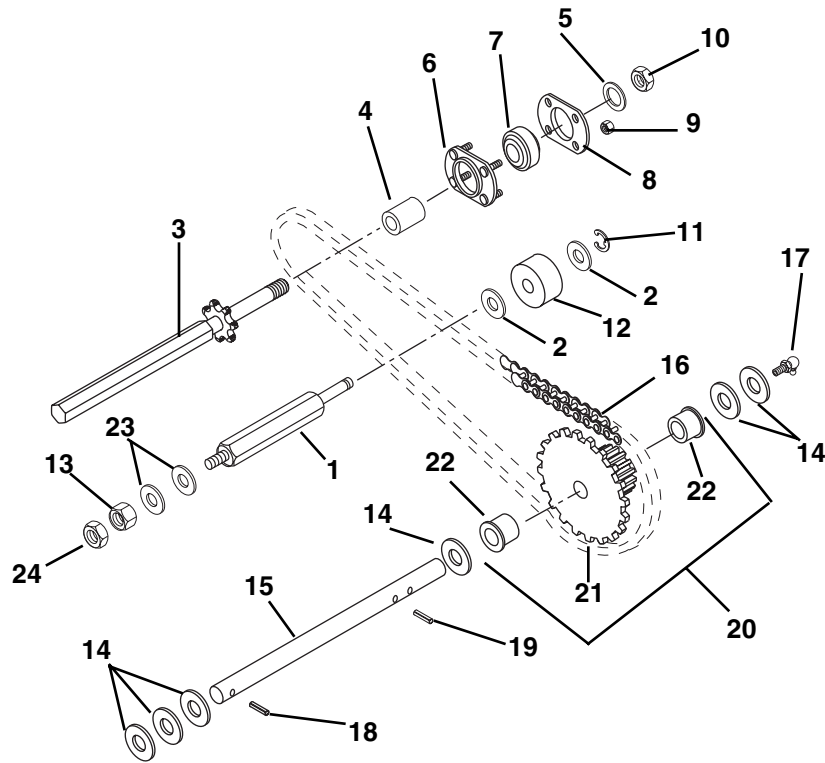
WHEELS AND AXLE

Model 924119, 120, 333, 334, 502, 503, 504

Item	Part No.	Qty.	Description
1	07150300	2	Tire/Wheel Assembly 16 x 6.50 - 8 (119)
2	07150500	2	Wheel 6.50 x 8.00 (119)
3	07121800	2	Tire 4.80-8 (120, 333)
	07121600	2	Tire 16 x 6.50-8 (119, 334, 502, 503, 504)
4	02483200	1	Shaft, Axle (119)
5	05718400	1	Ring, Retaining .875 x .050 (119)
6	02439600	1	Spur Gear (119)
7	06600800	1	Woodruff Key .25 x .875 x .375 (119)
8	06436900	4	Washer-Flat-Steel .88 x 1.25 x .062 (119)
9	00301700	2	Bearing Flange (119)
10	05409300	2	Bearing, Ball .88 x 1.75 x .50 (119)
11	01014200	2	Flange, Bearing (119)
12	07053700	2	Pin-Lock .31 x 1.75 (119)
13	06529700	6	Nut-Locking-Center .25-20 (119)
14	07103700	2	Tube 4.00 x 8 (120, 333)
	07108700	2	Tube 6.50 x 8 (119, 334, 502, 503, 504)
15	07107600	2	Wheel 4.80-8 (120, 333)
	07107700	2	Wheel 6.50-8 (334, 502, 503, 504)
16	07121900	2	Tire/Wheel Assembly #34-4.80/4.00 x 8 (120, 333)
	07121700	2	Tire/Wheel Assembly #35-16 x 6.50 (334, 502, 503, 504)
17	02437151	1	Axle-Right Hand (502, 503)
	02440951	1	Axle-Right Hand (120, 333, 334, 504)
18	52405400	AR	Axle Assembly-Left Hand (Contains Items 19-23) (502, 503)
	52405500	AR	Axle Assembly-Left Hand (Contains Items 19-23) (120, 333, 334, 504)
19	02437051	1	Axle-Left Hand (502, 503)
	02441051	1	Axle-Left Hand (120, 333, 334, 504)
20	05505700	1	Bushing-Sleeve .750 x .814 x .750 (120, 333, 334, 502, 503, 504)
21	06307000	1	Washer-Locking .250 x .047 (120, 333, 334, 502, 503, 504)
22	07012600	1	Fitting-Lube .25-28 x .256 (120, 333, 334, 502, 503, 504)
23	05502900	1	Bushing-Sleeve .562 x .625 x .625 (120, 333, 334, 502, 503, 504)
24	52405900	1	Lockout Hub Assembly (Contains Items 25-27, 30, 31) (120, 333, 334, 502, 503, 504)
25	01037400	1	Pin (120, 333, 334, 502, 503, 504)
26	08300700	1	Spring-Compression .028 x .34 x 1.062 (120, 333, 334, 502, 503, 504)
27	01037200	1	Lockout Hub (120, 333, 334, 502, 503, 504)
28	05948100	1	Screw-Cap .25-20 x 2.00 Grade 8 (120, 333, 334, 502, 503, 504)
29	06530900	1	Nut-Jam-Nylon .250-20 (120, 333, 334, 502, 503, 504)
30	05803200	1	Pin-Roll .093 x 1.00 (120, 333, 334, 502, 503, 504)
31	01037500	1	Knob (120, 333, 334, 502, 503, 504)
32	52405300	1	Differential Assembly (120, 333, 334, 502, 503, 504)
33	05803000	1	Pin Roll .188 x 1.50
34	07412200	8	Screw-Tap .50-20 x .62 Hex Head (120, 333, 334, 502, 503, 504)
35	02457859	2	Bearing Retainer (120, 333, 334, 502, 503, 504)
36	05417700	2	Bearing-Ball 1.13 x 2.19 x .63 (120, 333, 334, 502, 503, 504)
37	06437400	2	Washer-Flat-Steel 1.140 x 1.718 x .134
38	07028600	8	Bolt Serrated Neck Slotted .25-20 x .50
39	06530100	8	Nut-Locking-Flange .250-20

REDUCTION DRIVE

Model 924119, 120, 333, 334, 502, 503, 504

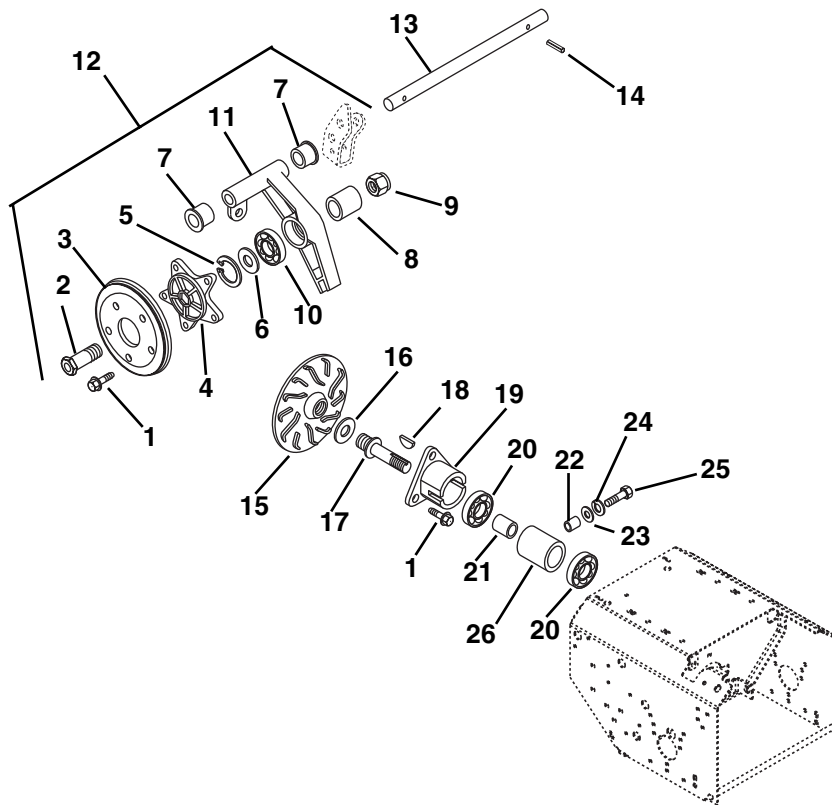


PS0463

Item	Part No.	Qty.	Description
1	02477300	1	Hex Shaft
2	06437200	2	Washer-Flat-Steel .344 x .688 x .065
3	02476800	1	Hex Shaft
4	05531600	1	Spacer .450 x .75 x 1.60
5	06436600	1	Washer-Flat-Steel .505 x .880 x .072
6	00308500	1	Bearing Flange
7	05435200	1	Bearing-Ball .437 x 1.375 x .437
8	02414100	1	Bearing Flange
9	06530600	4	Nut-Locking Dual Face 10-24
10	06536400	1	Nut-Locking-Center .438-14
11	05718300	1	Ring-Retaining External .31 x .025
12	07530500	1	Idler
13	06529800	1	Nut-Locking-Center .31-18
14	06436100	6	Washer-Flat-Steel .630 x 1.005 x .062
15	02436700	1	Pinion Shaft
16	02477700	1	Roller Chain #41-34 Pitches
17	07029700	1	Drive Fitting-Hydraulic
18	05802900	1	Pin Roll .156 x 1.00
19	05800900	1	Pin, Roll .125 x 1.00
20	52403200	1	Pinion and Sprocket Assembly (Contains Items 21, 22)
21	02436800	1	Pinion and Sprocket
22	05502600	2	Bushing-Flange .625 x .750 x .50 x .875
23	06435700	2	Washer-Flat-Steel .38 x .875 x .083
24	06536100	1	Nut, Jam .31-18

FRICTION WHEEL DRIVE

Model 924119, 120, 333, 334, 502, 503, 504

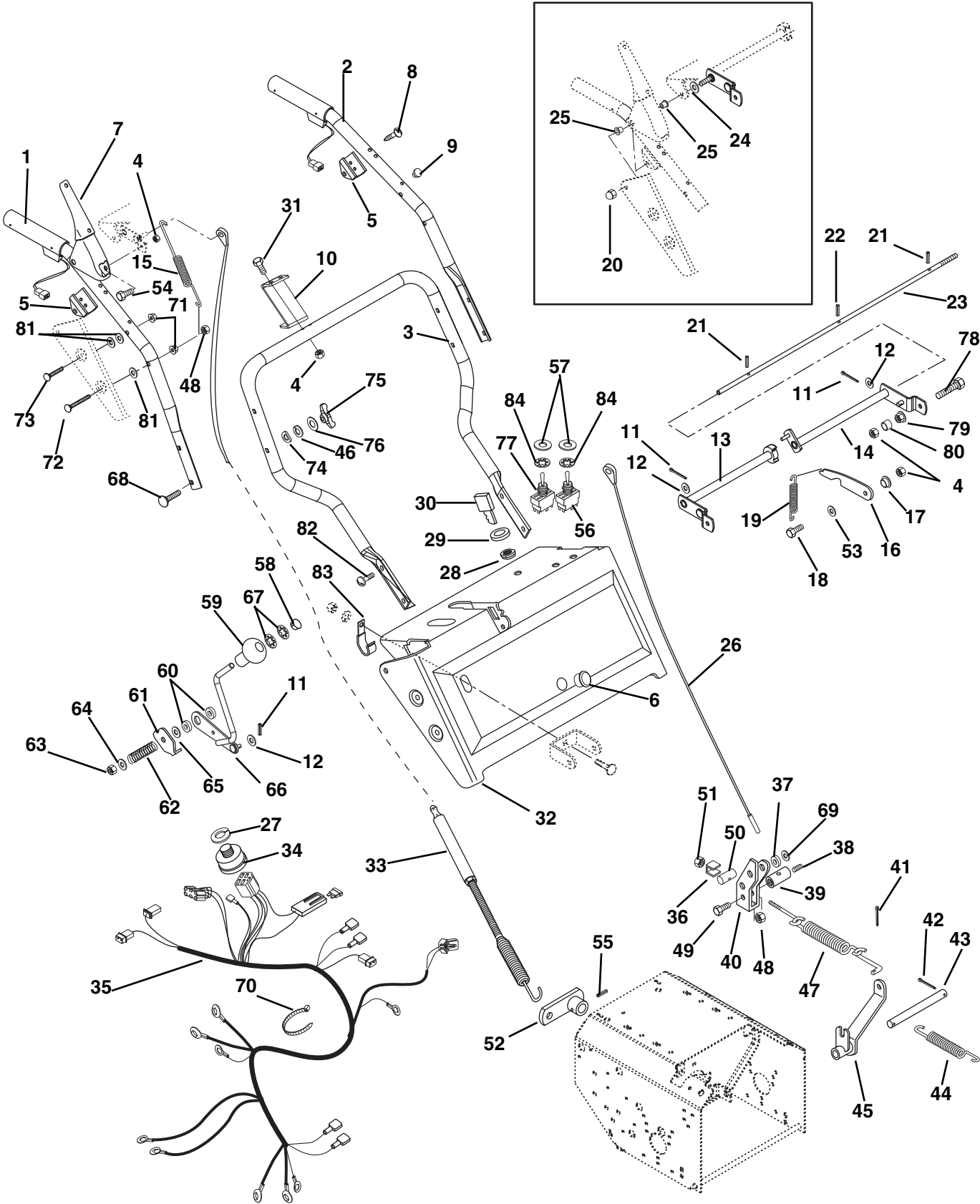


PS0452

Item	Part No.	Qty.	Description
1	07411500	8	Screw-Tapping .312-18 x .50
2	02445500	1	Spindle Hub
3	00300300	1	Friction Disc
4	02445400	1	Disc Hub
5	05702100	1	Ring-Retaining-Internal 1.750 x .062
6	06436900	1	Washer-Flat-Steel .880 x 1.250 x .062
7	05502600	2	Bushing-Flange .625 x .750 x .500 x .875
8	05512600	1	Bushing-Sleeve .882 x 1.250 x .531
9	06530500	1	Nut-Locking-Nylon .875-14
10	05409300	1	Bearing-Ball .88 x 1.75 x .50
11	02444500	1	Carrier
12	52404600	AR	Friction Wheel Assembly (Contains 1-11)
13	02477000	1	Carrier Shaft
14	05802900	2	Pin-Roll .156 x 1.00
15	01054600	1	Drive Plate
16	02407100	1	Drive Disc Spacer 1.3 x .76 x .19
17	02407600	1	Spindle
18	06600600	1	Key-Woodruff .125 x .50 x .203
19	02458200	1	Housing Mount
20	05435100	2	Bearing .625 x 1.375 x .43
21	02415500	1	Bearing Spacer
22	00303400	1	Roller
23	06437200	1	Washer-Flat-Steel .344 x .688 x .065
24	06308600	1	Washer-Lock .31 x .078
25	05946900	1	Bolt-Hex .31-18 x 1.00 Grade 5
26	02458100	1	Spindle Housing

HANDLEBARS AND CONTROLS

Model 924119, 120, 333, 334, 502, 503, 504



HANDLEBARS AND CONTROLS

Model 924119, 120, 333, 334, 502, 503, 504

Item	Part No.	Qty.	Description
1	53209400	1	Handlebar, Upper Right Hand (Includes Hand Warmer)
2	53209500	1	Handlebar, Upper Left Hand (Includes Hand Warmer)
3	02487300	1	Handlebar, Lower
4	06529700	2	Nut-Lock-Center .25-20
5	02464700	2	Handle Pivot
6	07511200	1	Bushing-Snap (119, 120, 333, 334)
7	02462100	2	Lever-Clutch-Coated
8	07411800	4	Screw-Tapping 12-14 x 1.50
9	07511800	2	Bumper
10	02486451	1	Bracket, Cable Support (119, 502, 503)
11	06707400	2	Pin, Cotter .09 x .50
12	06437300	2	Washer-Flat-Steel .281 x .62 x .065
13	02476500	1	Right Hand Lever
14	02476700	1	Left Hand Lever
15	08335400	2	Spring-Tension .051 x .50 x 4.87
16	02463400	1	Arm-Latch
17	05516100	1	Bushing-Flange .265 x .437 x .339 x .62
18	05946800	1	Bolt-Hex .25-20 x .75
19	08310900	1	Spring-Tension .048 x .44 x 1.75
20	06530800	2	Nut-Crown .312-18
21	05803300	2	Pin Roll .156 x .75
22	05800900	1	Pin-Roll .125 x 1.00
23	02463000	1	Rod
24	06436700	2	Washer-Flat-Steel .323 x .625 x .062
25	05516200	4	Bushing-Flange .325 x .465 x .333 x .685
26	06945300	1	Cable, Traction Clutch (119, 502, 503)
27	06306900	1	Washer-Locking-Internal .625 x .045 (333, 334, 502, 503)
28	06517300	1	Nut-Panel .625-32 (333,334, 502, 503)
29	07517700	1	Cap-Ignition Switch (333,334, 502, 503)
30	02460700	1	Key-With Cap (333,334, 502, 503)
31	05952500	2	Bolt-Hex .25-20 x 1.50 Grade 5
32	52413700	AR	Panel with Decal (504)
	52413800	AR	Panel with Decal (120)
	52413900	AR	Panel with Decal (119)
	52414100	AR	Panel with Decal (333)
	52416000	AR	Panel with Decal (334)
	52414000	AR	Panel with Decal (502)
	52416100	AR	Panel with Decal (503)
33	06945200	1	Cable, Blower Clutch
34	52707300	1	Switch Assembly (Contains 29-31) (333, 334, 502,503)
35	02488800	1	Wire Harness-Hand Warmers and Light (119, 120, 504)
	02488900	1	Wire Harness 12 Volt (333, 334)
	02488700	1	Harness, Wire (502, 503)
36	01054200	1	Adapter Spacer
37	02408600	1	Spacer 1.0 x .64 x .38
38	06005500	1	Screw-Set .32-18 x .38
39	02213500	1	Rod Adapter
40	02422851	1	Clutch Engagement Yoke
41	06707400	1	Pin-Cotter .09 x .50

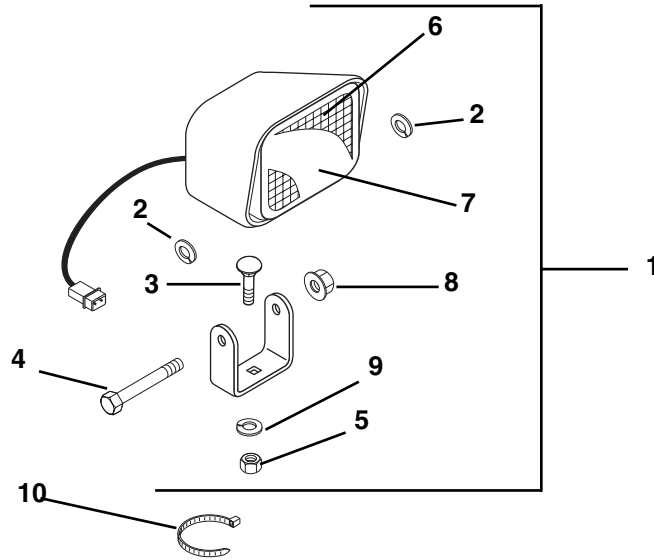
HANDLEBARS AND CONTROLS

Model 924119, 120, 333, 334, 502, 503, 504

Item	Part No.	Qty.	Description
42	06707000	2	Pin-Cotter .09 x 1.00
43	02406900	1	Fork Pivot Rod
44	08309400	1	Spring-Tension .080 x .73 x 3.06
45	02427200	1	Clutch Fork
46	06307400	4	Washer-Locking .312 x .097 Heavy
47	52404700	1	Spring Assembly
48	06529800	3	Nut-Locking-Center .31-18
49	05947000	1	Bolt-Hex .31-18 x .75 Grade 5
50	02422700	1	Adapter
51	06530200	1	Nut-Locking-Nylon .312-18
52	02485551	1	Lever, Clutch
53	06426600	1	Washer-Flat-Steel .281 x 1.00 x .063
54	05947900	1	Bolt-Hex .25-20 x .50
55	05802600	1	Pin-Roll .156 x .88
56	02485700	1	Switch, Hand Warmer
57	06403800	1	Washer-Flat-Steel .505 x .875 x .024 (119, 120, 333, 334, 504)
	06403800	2	Washer-Flat-Steel .505 x .875 x .024 (502, 503)
58	07516700	1	Hole Plug (119, 502, 503)
59	07508300	1	Knob (119, 502, 503)
60	01123800	2	Friction Washer (119, 502, 503)
61	02463900	1	Pressure Flange (119, 502, 503)
62	08320900	1	Spring-Compression .187 x .56 x 1.62 (119, 502, 503)
63	06529600	1	Nut-Locking .375-16 (119, 502, 503)
64	06436200	1	Washer-Flat-Steel .406 x .812 x .065 (119, 502, 503)
65	02463100	1	Spacer (119, 502, 503)
66	02486500	1	Lever-Deflector (119, 502, 503)
67	05711300	2	Ring-Retaining External .375 x .010 (119, 502, 503)
68	06221600	4	Bolt-Round Head Square Neck .31-18 x 2.25 Grade 5
69	06436100	1	Washer-Flat-Steel .630 x 1.005 x .062
70	07517300	2	Cable Tie 5.5"
71	06530400	4	Nut-Locking-Flange .312-18
72	06212300	2	Bolt-Round Head Square Neck .31-18 x 2.75
73	06220200	2	Bolt-Round Head Square Neck .31-18 x 1.75
74	06446800	4	Washer, Saddle-.320 x .937 x .062
75	07531700	4	Knob- Wing .312-18
76	06439400	4	Washer-Flat-Steel .328 x .875 x .062
77	02485600	1	Switch, Chute Rotation (502, 503)
78	05947700	1	Bolt-Hex .25-20 x 1.00 Grade 5
79	06530100	1	Nut-Locking-Flange .250-20
80	02489900	1	Spacer .265 x .355 x .312
81	06436600	6	Washer-Flat-Steel .505 x .880 x .072
82	07028500	4	Bolt-Hex Flanged Whiz Lock Head .38-16 x .75
83	06909400	1	J-Clamp
84	06310900	1	Washer-Locking-Internal .563 x .040(119, 120, 333, 334, 504)
	06310900	2	Washer-Locking-Internal .563 x .040 (502, 503)

HEADLIGHT

Model 924119, 120, 333, 334, 502, 503, 504

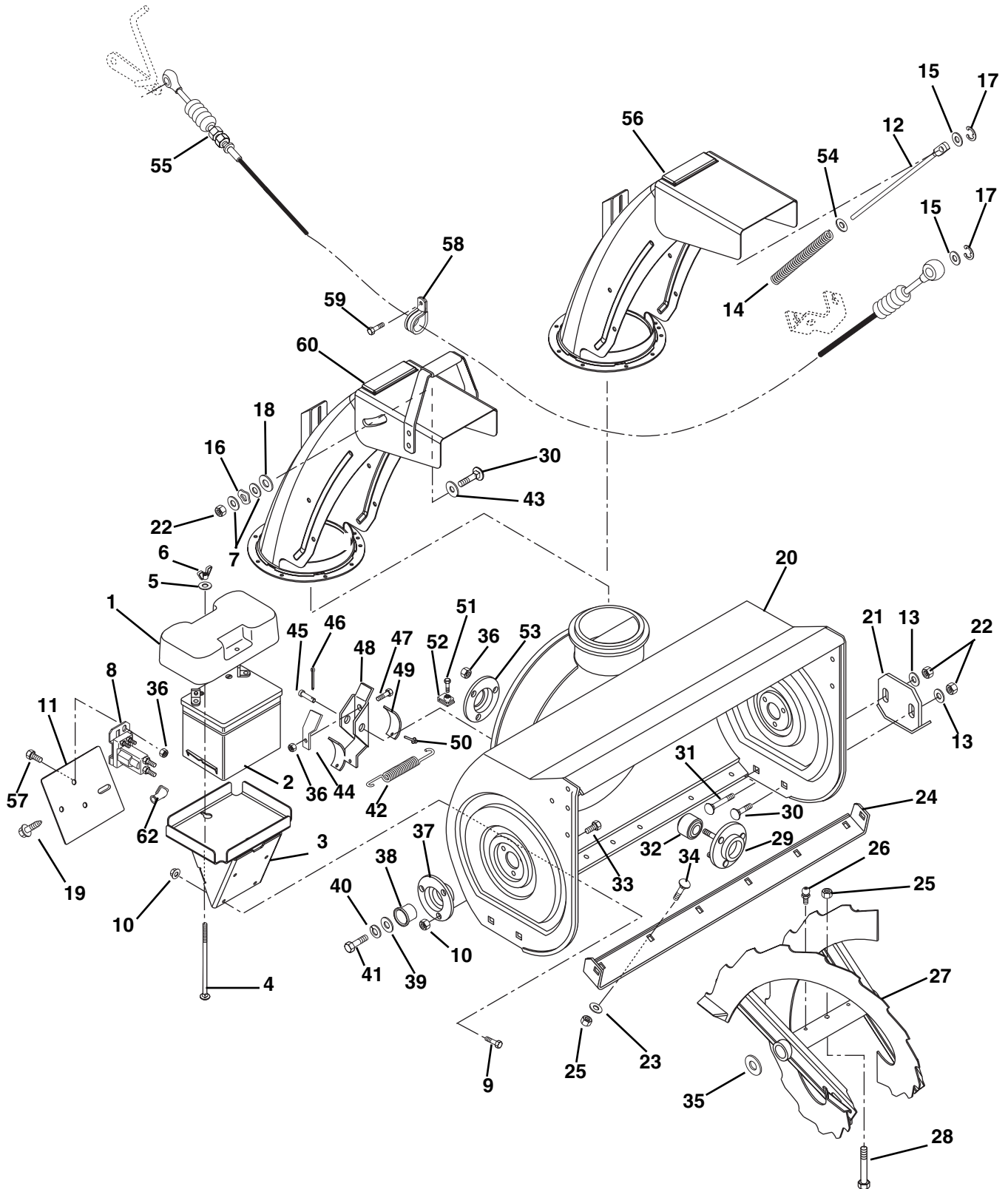


PS0422

tem	Part No.	Qty.	Description
1	02485900	AR	Headlight (Contains 2-9)
2	06307200	2	Washer-Lock-External .313 x .030
3	06216100	1	Bolt-Round Head Square Neck .312-18 x 1.00
4	05952600	1	Bolt-Hex .31-18 x 2.50 Grade 2
5	06529200	1	Nut-Hex .312-18
6	02464900	1	Lens
7	02465000	1	Bulb
8	06530400	1	Nut-Flange .312-18
9	06307400	1	Washer-Lock .312
10	07517300	2	Cable Tie

AUGER AND BATTERY

Model 924119, 120, 333, 334, 502, 503



PS0437

AUGER AND BATTERY

Model 924119, 120, 333, 334, 502, 503

Item	Part No.	Qty.	Description
1	09032300	1	Cover, Battery (333, 334, 502, 503)
2		A/R	Battery Recommend 340 to 350 CCA at 0° F. Size U1R or U1L (333, 334, 502, 503)
3	02484559	1	Battery Tray (503)
	02488659	1	Battery Tray (333, 334, 502)
4	06220400	2	Bolt-Round Head Square Neck .25-20 x 7.00 (333, 334, 502, 503)
5	06437300	6	Washer-Flat-Steel .281 x .62 x .065 (333, 334, 502, 503)
6	06537500	2	Wing Nut-Locking .25-20 (333, 334, 502, 503)
7	06436200	2	Washer-Flat-Steel .406 x .812 x .065 (333, 334, 502, 503)
8	03679000	1	Solenoid (333, 334, 502, 503)
9	05946800	4	Bolt-Hex .25-20 x .75 Grade 5 (333, 334, 502, 503)
10	06530100	10	Nut-Lock-Flange .25-20
11	02484459	1	Cover, Solenoid (333, 334, 502, 503)
12	02479800	1	Rod, Chute (119, 502, 503)
13	06435900	4	Washer-Flat-Steel .438 x 1.00 x .083
14	08335200	1	Spring, Compression (119, 502, 503)
15	06437300	2	Washer-Flat-Steel .281 x .62 x .065 (119, 502, 503)
16	01320200	1	Wave Washer (120, 333, 334)
17	05718500	2	Ring, Retaining-External .218 x .035 (119, 502, 503)
18	06416800	1	Washer-Plastic .390 x .875 x .062 (120, 333, 334)
19	07412000	2	Screw-Tapping .25-20 x .50 Hex Washer Head (333, 334, 502, 503)
20	52414200	1	Blower Housing w/Decal 28" (119)
	52414300	1	Blower Housing w/Decal 24" (120)
	52414400	1	Blower Housing w/Decal 24" (333)
	52414500	1	Blower Housing w/Decal 28" (334)
	52414600	1	Blower Housing w/Decal 32" (502)
	52414700	1	Blower Housing w/Decal 36" (503)
21	02483059	2	Runner, Skid Shoe-1/2" Flange (120, 333, 334, 502, 503)
	02483859	2	Runner, Double Flange (119)
22	06529600	4	Nut-Locking .375-16 (119, 502, 503)
	06529600	5	Nut-Locking .375-16 (120, 333, 334)
23	06435700	5	Washer-Flat-Steel .38 x .875 x .083 (119, 120, 333, 334)
	06435700	7	Washer-Flat-Steel .38 x .875 x .083 (502)
	06435700	6	Washer-Flat-Steel .38 x .875 x .083 (503)
24	02479159	1	Scraper Blade 28" (119)
	01016400	1	Scraper Blade 24" (120, 333)
	00620159	1	Scraper Blade 28" (334)
	00620859	1	Scraper Blade 32" (502)
	03519259	1	Scraper Blade 36" (503)
25	06529800	7	Nut-Locking-Center .31-18 (119, 120, 333, 334)
	06529800	9	Nut-Locking-Center .31-18 (502)
	06529800	8	Nut-Locking-Center .31-18 (503)
26	07012600	4	Fitting-Lube .25-28 x .256
27	52410700	1	Rake, Left Hand - 28" (16" O.D.) (334)
	52410800	1	Rake, Right Hand - 28" (16" O.D.) (334)
	52413600	1	Rake, Right Hand - 24" (16" O.D.) (120, 333)
	52413500	1	Rake, Left Hand - 24" (16" O.D.) (120, 333)
	52411800	1	Rake, Left Hand - 28" (15" O.D.) (119)
	52411900	1	Rake, Right Hand - 28" (15" O.D.) (119)
	52412200	1	Rake, Left Hand - 32" (16" O.D.) (502)
	52412300	1	Rake, Right Hand - 32" (16" O.D.) (502)
	52412500	1	Rake, Left Hand - 36" (16" O.D.) (503)
	52412600	1	Rake, Right Hand - 36" (16" O.D.) (503)

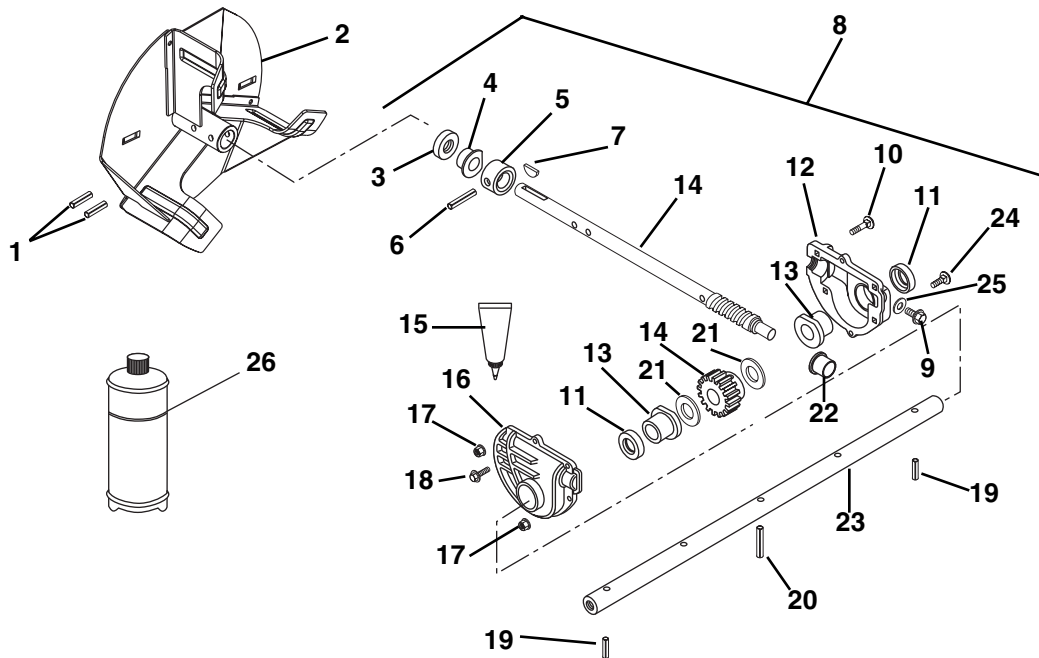
AUGER AND BATTERY

Model 924119, 120, 333, 334, 502, 503

Item	Part No.	Qty.	Description
28	51001500	2	Shear Bolt Service Assembly (Includes Item 25)
29	00301700	1	Bearing Flange (119,120, 333, 334, 502)
	03086200	1	Bearing Flange (503)
30	06211800	2	Bolt-Round Head Square Neck .38-16 x .75 (119, 502, 503)
	06211800	3	Bolt-Round Head Square Neck .38-16 x .75 (120, 333, 334)
31	06212000	3	Bolt-Round Head Square Neck .38-16 x 1.00
32	05418200	1	Bearing-Ball 1.0 x 2.0 x .56 (503)
	05406300	1	Bearing-Ball .750 x 1.750 x .50 (119, 120, 333, 334, 502)
33	07028600	6	Bolt-Serrated-Neck-Slotted .25-20 x .50
34	06212200	5	Bolt-Round Head Square Neck .312-18 x .62 (119, 120, 333, 334, 502)
	06212200	7	Bolt-Round Head Square Neck .312-18 x .62 (502)
	06212200	6	Bolt-Round Head Square Neck .312-18 x .62 (503)
35	06436300	2	Washer-Flat Steel 1.010 x 1.505 x .062
36	06529700	6	Nut-Locking-Center .25-20
37	02437451	2	Bearing Support
38	05503500	2	Bushing-Flange 1.000 x 1.12 x .62 x 1.50
39	06436400	2	Washer-Flat-Steel .511 x 1.441 x .125
40	06306600	2	Washer-Lock .500 x .151
41	05947100	2	Bolt-Hex .50-13 x 1.00 Grade 5
42	08316400	1	Spring-Tension .062 x .56 x 8.0
43	06441100	1	Washer-Flat-Steel .52 x .827 x .062 (120, 333, 334)
44	02440551	1	Arm Extension (119)
45	02448100	1	Clevis Pin
46	06707500	1	Pin-Cotter .06 x .75
47	05946800	1	Bolt-Hex .25-20 x .75 (119)
48	52404800	1	Brake Arm Assembly (Contains Items 49, 50)
49	02217800	1	Brake Lining
50	06806700	2	Rivet-Tubular .187 x .437
51	07028500	2	Bolt-Hex Flanged Whizloc Head .38-16 x .75
52	07002600	2	Nut-Retainer .38-16
53	01014200	1	Bearing Flange (119, 120, 333, 334, 502)
	03086100	1	Bearing Flange (503)
54	06437200	1	Washer-Flat-Steel .344 x .688 x .065 (119, 502, 503)
55	06945400	1	Cable, Control (119, 502, 503)
56	52411000	1	Chute, Discharge with Remote (119, 502, 503)
57	05947900	2	Bolt-Hex .25-20 x .50 Grade 5
58	06908200	1	Clamp-Cushioned (119, 502, 503)
59	05959400	1	Bolt-Hex .38-16 x .75 (119, 502, 503)
60	52410900	1	Chute, Discharge without Remote (120, 333, 334)
61	06308400	2	Washer-Locking .25 x .062 Regular
62	07533200	2	Boot, Eyelet Terminal (333, 334, 502, 503)

GEAR CASE-ALUMINUM

Model 924119

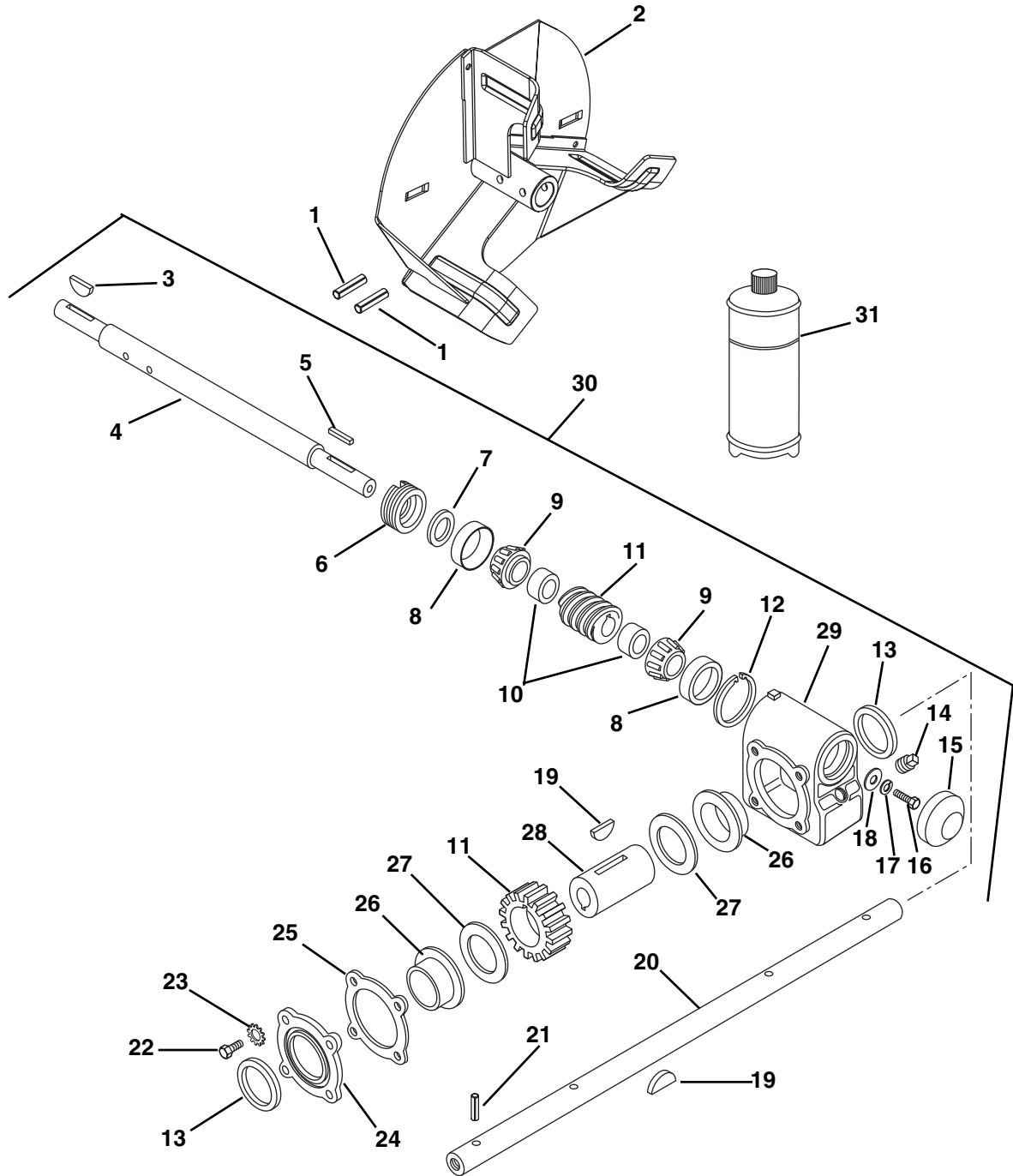


PS0692

Item	Part No.	Qty.	Description
1	05803700	2	Pin-Roll .250 x 1.75
2	02477251	1	Impeller-.75 I.D.x 12" O.D.
3	05618900	1	Seal, Oil .750 x 1.375 x .312
4	05511200	1	Bushing-Flange .75 x 1.00 x .75 x 1.25
5	03210300	1	Thrust Collar
6	05804500	1	Pin-Groove .188 x 1.25
7	06600100	1	Key-Woodruff .188 x .875 x .38
8	52413400	AR	Case, Gear-Large Bore-28" (Contains Items 3-6, 9-18, 20-25)
9	07412900	1	Screw-Tapping .375-16 x .50
10	06219700	2	Bolt-Round Head Square Neck .25-20 x 1.25 Grade 5
11	05618800	2	Seal 1.000 x 1.375
12	02470600	1	LS Case Half Left Hand Large Bore
13	05530100	2	Bushing-Flanged 1.00 x 1.12 x 1.50 x .495
14	52402600	1	Worm Shaft and Gear Assembly
15	00925700	1	Locktite Gasket 518 850 cc Cartridge
16	02470700	1	LS Case Half Right Hand Large Bore
17	06530100	4	Nut-Locking-Flange .250-20
18	07413000	2	Screw-Tapping 10-24 x .75
19	05803000	2	Pin-Roll .188 x 1.50
20	05806900	1	Pin-Groove .313 x 1.44
21	06416600	2	Washer-Flat-Steel 1.007 x 1.542 x .062
22	05520600	1	Bushing-Flange .502 x 1 x .750
23	02479300	1	Rake Shaft 28"
24	06219800	2	Bolt-Round Head Square Neck .25-20 x 1.00
25	06442500	1	Washer-Fiber .437 x .656 x .032
26	00008000	1	Ariens 16 Oz. Bottle of L2 Lube (2 oz. capacity)

GEAR CASE-CAST IRON

Model 924120, 333, 334, 502, 503



PS0472

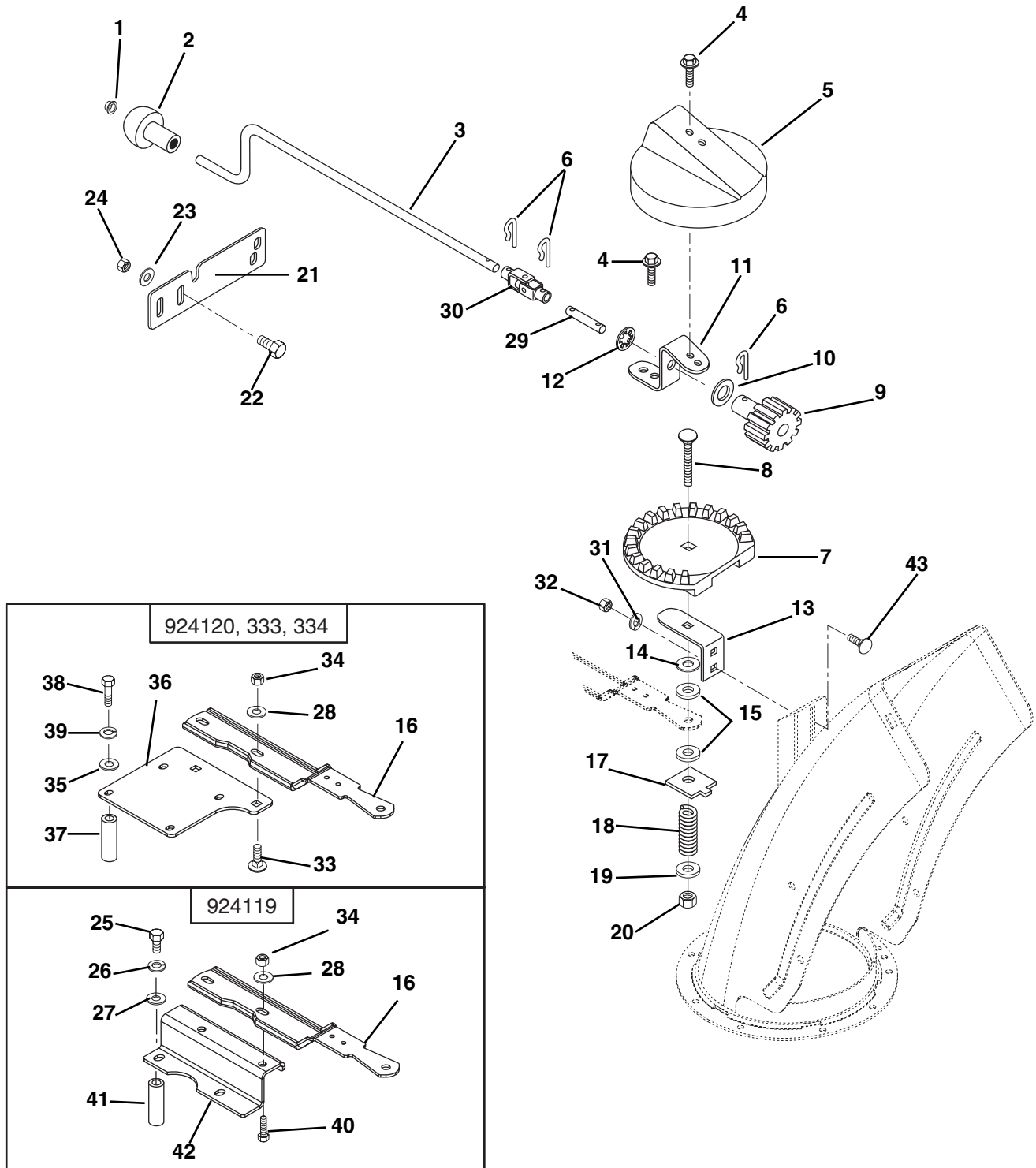
GEAR CASE-CAST IRON

Model 924120, 333, 334, 502, 503

Item	Part No.	Qty.	Description
1	05801500	2	Pin-Roll .313 x 1.75
2	02476951	1	Impeller -1.00 I.D. x 14" O.D. (503)
	00643151	1	Impeller -1.00 I.D. x 12" O.D. (120, 333, 334, 502)
3	06600100	1	Key-Woodruff .188 x .875 x .375
4	02437500	1	Worm Shaft-1.00" Diameter (503)
	02406200	1	Worm Shaft-1.00" Diameter (120, 333, 334, 502)
5	06601300	1	Key-Square .188 x 1.0 x .188
6	02401500	1	Adjustment Plug
7	05606100	1	Seal 1.000 x 1.312 x .150
8	05404400	2	Bearing-Cup 1.78 x .475
9	05404500	2	Bearing-Cone .750 x .61
10	00200500	2	Bearing Spacer 1.12 x 1.52 x .5
11	52400900	1	Worm and Gear Service Assembly
12	05707500	1	Ring-Retaining-Internal 1.781 x .062
13	05607000	2	Seal 1.625 x 2.125 x .250
14	00113800	1	Pipe Plug
15	00403700	1	Dust Cap
16	05947000	1	Bolt-Hex .31-18 x .75 Grade 5
17	06307400	1	Washer-Lock .312 x .097
18	06437500	1	Washer-Flat-Steel .328 x 1.00 x .094
19	06600800	2	Key-Woodruff .25 x .875 x .375
20	02472100	1	Rake Shaft 24" 1.00 Diameter (120, 333)
	02459600	1	Rake Shaft 28" 1.00 Diameter (334)
	02406500	1	Rake Shaft 32" 1.00 Diameter (502)
	03519500	1	Rake Shaft 36" 1.00 Diameter (503)
21	05803000	2	Pin-Roll .188 x 1.50
22	05946800	4	Bolt-Hex .25-20 x .75 Grade 5
23	06306800	4	Washer-Lock-External .262 x .502 x .026
24	02401300	1	Gear Case Cover
25	00200800	1	Gasket
26	05505900	2	Bushing-Flange 1.625 x 1.87 x 1.68 x 2.250
27	06408700	2	Washer-Flat-Steel 1.625 x 2.500 x .012
28	02406400	1	Gear Case Shaft
29	02400200	1	Gear Case
30	52408200	AR	Case Set Large Bore
31	00008000	1	Ariens 16 oz. Bottle of L2 Lube (5 oz. capacity)

DISCHARGE CHUTE CRANK

Model 924119, 120, 333, 334



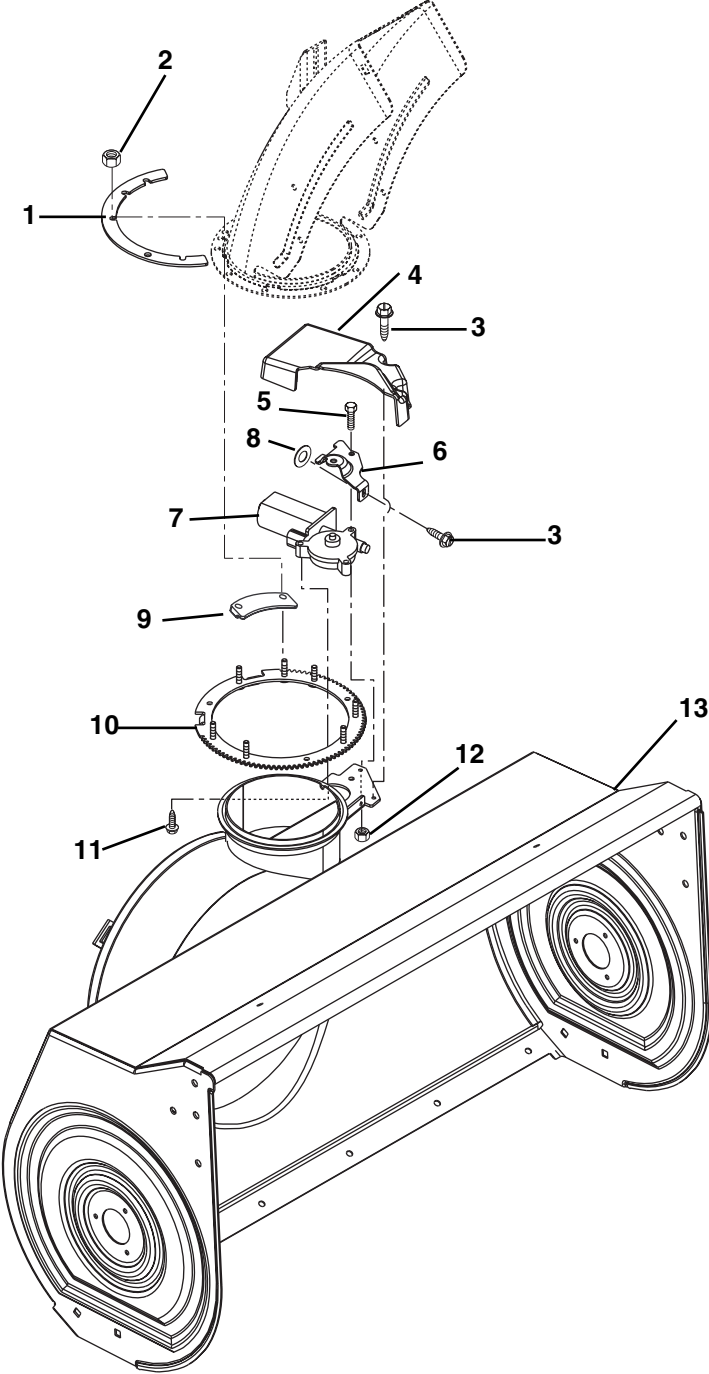
DISCHARGE CHUTE CRANK

Model 924119, 120, 333, 334

Item	Part No.	Qty.	Description
1	01019800	1	Cap, 3/8 Rod
2	07508300	1	Knob
3	02480600	1	Crank, Chute
4	07412000	4	Screw .25-20 x .50 Hex Washer Head Self Tapping
5	03223000	1	Cover, Gear
6	06714500	3	Pin-Spring Clip
7	03222900	1	Gear, Chute
8	06224400	1	Bolt-Round Head Square Neck .38-16 x 2.50 Grade 5
9	53204400	1	Pinion Gear w/Bracket (Contains Items 11-13)
10	06436100	1	Washer-Flat-Steel .63 x 1.005 x .062
11	03220551	1	Bracket, Gear
12	03224300	1	Push Nut
13	03220751	1	Gear Strap
14	06439300	1	Washer-Flat-Steel .38 x 1.50 x .062
15	01123800	2	Friction Washer
16	02480351	1	Bracket, Chute Support
17	03219000	1	Friction Plate
18	08320900	1	Spring-Compression .187 x .56 x 1.62
19	06436200	1	Washer-Flat-Steel .406 x .812 x .065
20	06529600	1	Nut-Locking-Center .38-16
21	02488551	1	Bracket, Chute Crank Support
22	05947900	2	Bolt-Hex .25-20 x .50 Grade 5
23	06435800	2	Washer-Flat-Steel .312 x .734 x .065
24	06529700	2	Nut-Locking-Center .25-20
25	05947500	2	Bolt-Hex .31-18X1.25 Grade 5 (119)
26	06308600	2	Washer-Locking .31 x .078 Regular (119)
27	06437200	2	Washer-Flat-Steel .344 x .688 x .065 (119)
28	06435800	2	Washer-Flat-Steel .312 x .734 x .065
29	02479700	1	Pin, Connector
30	02470400	1	Universal Joint
31	06308400	1	Washer-Locking .25 x .062
32	06533200	1	Nut-Hex .25-20
33	06215700	2	Bolt-Round Head Square Neck .31-18 x .75
34	06529800	2	Nut-Locking-Center .31-18
35	06437300	4	Washer-Flat-Steel .281 x .62 x .065 (120, 333, 334)
36	02480751	1	Bracket, Engine (120, 333, 334)
37	02480900	4	Spacer, Tube (120, 333, 334)
38	05946800	4	Bolt-Hex .25-20 x .75 Grade 5 (120, 333, 334)
39	06308400	4	Washer-Locking .25 x .062 x .065 (120, 333, 334)
40	05947000	2	Bolt-Hex .31-18 x .75 Grade 5 (119)
41	03233600	2	Spacer, Tube (119)
42	02480251	1	Bracket, Engine (119)
43	06219900	1	Bolt-Round Head Square Neck .25-20 x .75 Grade 5

ELECTRIC DISCHARGE CHUTE

Model 924502, 503



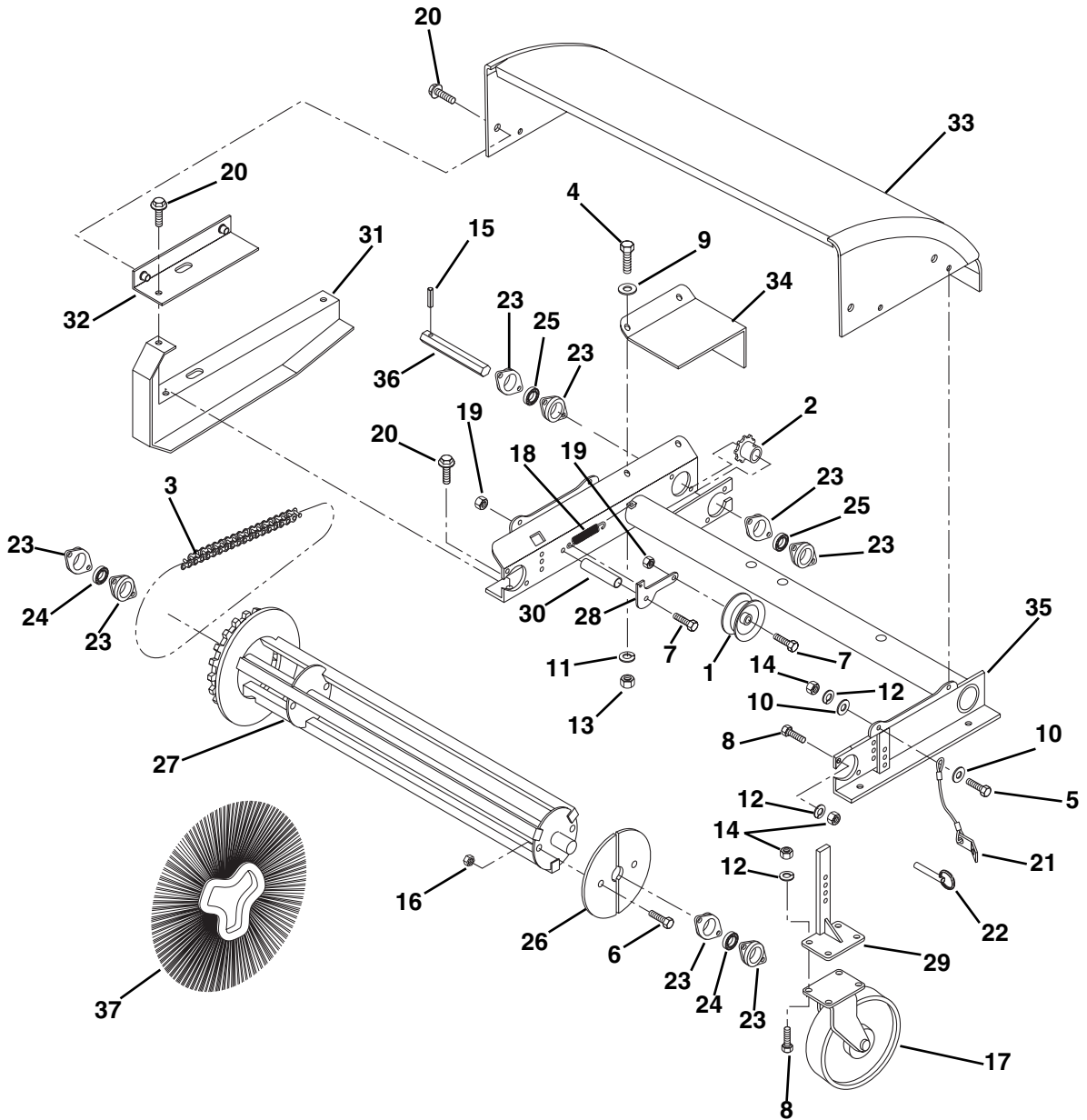
ELECTRIC DISCHARGE CHUTE

Model 924502, 503

Item	Part No.	Qty.	Description
1	02486959	2	Ring, Cover
2	06530100	6	Nut-Locking-Flange .250-20
3	07411900	3	Screw-Tapping 12-24 x .50 Hex Washer Head
4	02487100	1	Cover, Motor
5	05947400	1	Bolt-Hex .25-20 x 1.25 Grade 5
6	02488251	1	Bracket, Electric Motor
7	02486300	1	Motor, Electric Right Hand- Chute
8	06437300	1	Washer-Flat-Steel .281 x .62 x .065
9	02487000	3	Clamp, Chute
10	02486800	1	Gear, Chute
11	07414400	2	Screw-Tapping .31-18 x.75 Hex Washer Head
12	06529700	1	Nut-Locking-Center .25-20
13	02485159	1	Housing, Blower-32" E

BRUSH HEAD

Model 924504



PS0592

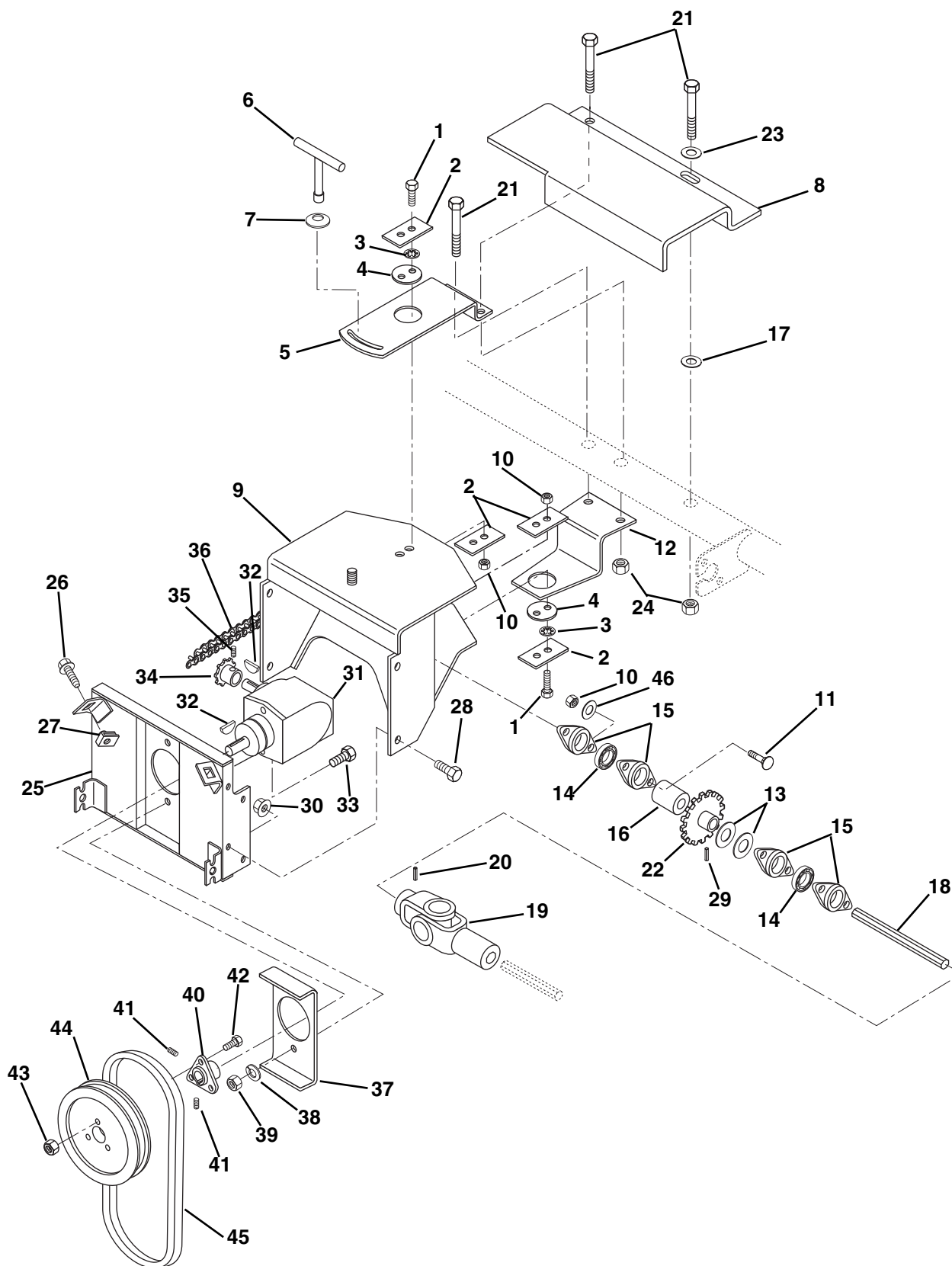
BRUSH HEAD

Model 924504

Item	Part No.	Qty.	Description
1	01061300	1	Chain Tightener
2	01060900	1	Sprocket
3	02468300	1	Chain, Assembly #40 x 106
4	05946800	2	Bolt-Hex .25-20 x .75 Grade 5
5	05946900	4	Bolt-Hex .31-18 x 1.00 Grade 5
6	05963700	2	Bolt-Hex .31-18 x 2.25 Grade 5
7	05957900	2	Bolt-Hex .38-16 x 1.50 Grade 5
8	05947000	16	Bolt-Hex .31-18 x .75 Grade 5
9	06437300	2	Washer-Flat-Steel .281 x .62 x .065
10	06435800	8	Washer-Flat-Steel .312 x .734 x .065
11	06308400	2	Washer-Lock .25 x .062 Regular
12	06308600	20	Washer-Lock .31 x .078 Regular
13	06533200	2	Nut-Hex .25-20
14	06529200	20	Nut-Hex .31-18
15	02468400	1	Pin, Spring Lok .187 x 1.25
16	02468500	2	Nut, Lok Stamped .31-18
17	07109400	2	Wheel, 5 inch Diameter
18	02468600	1	Spring, Tension .50 x 3.00
19	06529600	2	Nut-Locking-Center .38-16
20	02468700	5	Screw, Gear 10.9 M6 x 1-20
21	02468800	2	Lanyard .06 Cable 1.25 x 6
22	00547800	2	Pin, Hitch .38 x 2
23	02411300	8	Flange, Spherical 2 inch
24	05423400	2	Bearing 1.00 Bore, Spherical
25	05409700	2	Bearing-Ball .84 Hex x 52 MM x 1.07
26	01062900	1	Retainer Plate
27	02469000	1	Weldment, Core
28	02469100	1	Arm, Idler
29	02469200	2	Weldment, Caster Leg
30	02469300	1	Bushing .62 x 12 Gauge x .75
31	02469400	1	Shield, Chain
32	02469500	1	Shield Chain Top
33	02469600	1	Weldment, Head
34	02469700	1	Shield, Input
35	02469800	1	Weldment, Broom Frame
36	02469900	1	Shaft, Hex 20.5 w/Hole
37	02470000	1	Set, 24 Section

BRUSH DRIVE UNIT

Model 924504



PS0581

BRUSH DRIVE UNIT

Model 924504

Item	Part No.	Qty.	Description
1	05947500	4	Bolt-Hex .31-18 x 1.25 Grade 5
2	02404800	4	Retainer
3	06307200	4	Washer-Locking-Internal .313 x .030
4	02404900	2	Pivot, Center
5	02471751	1	Plate, Top Mount
6	02470900	1	T-Lock Handle
7	00597000	1	Washer-Cupped Serrated .38
8	02470151	1	Guard, Shaft
9	02405051	1	Frame, Adapter
10	06529800	4	Nut-Locking-Top .31-18
11	06215700	4	Bolt-Round Head Square Neck .31-18 x .75 Grade 5
12	02471851	1	Plate, Bottom Mount
13	06418500	2	Washer-Flat-Steel 1.015 x 1.500 x .125
14	05409700	2	Bearing, Ball
15	02429600	4	Flange, Bearing
16	02447600	1	Spacer 1.006 x 1.307 x .500
17	06436800	1	Washer-Flat-Steel .390 x .88 x .18
18	02429100	1	Shaft
19	02430600	1	Universal Joint
20	05803000	1	Pin-Roll .188 x 1.50
21	05961100	3	Bolt-Hex .38-16 x 3.25 Grade 5
22	01062000	1	Sprocket
23	06436200	1	Washer-Flat-Steel .406 x .812 x .065
24	06529600	3	Nut-Locking-Center .38-16
25	02429451	1	Plate, Mounting
26	07028500	2	Bolt, Hex Flanged Whizloc Head .38-16 x .75
27	07002600	2	Nut-Retainer .38-16
28	05959400	4	Bolt-Hex .38-16 x .75 Grade 5
29	05805600	1	Pin-Roll .188 x 1.75
30	06529600	4	Nut-Locking-Center .38-16
31	02400400	1	Gear Box Assembly
32	06600300	2	Key-Woodruff .188 x .75 x .313 SAE 9
33	05958000	2	Bolt-Hex .38-16 x 1.25 Grade 5
34	02429800	1	Sprocket
35	06001100	2	Screw-Set .25-20 x .25 Socket Head Cup Point
36	01207800	1	Chain
37	02429551	1	Plate, Stiffener
38	06308800	2	Washer-Lock .38 x .094
39	06529400	2	Nut-Hex .38-16
40	50202100	1	Hub Assembly
41	06005500	2	Screw-Set .31-18 x .38 Socket Head Cup Point
42	07005300	3	Bolt-Serrated Round Head Slotted .31-18 x .75
43	06530400	3	Nut-Locking-Flanged .31-18
44	07307000	1	Pulley-V 9.00 x 1.25
45	07210800	1	V-Belt
46	06435700	4	Washer-Flat-Steel .38 x .875 x .083

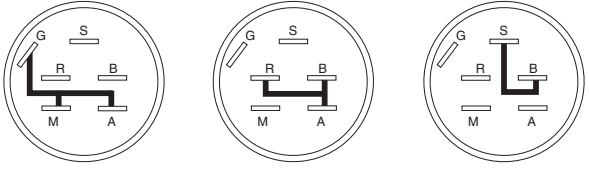
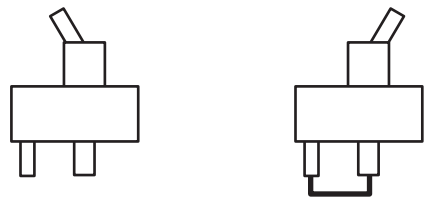
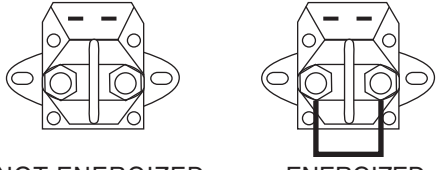
CONTINUITY DIAGRAM

Model 924333, 334

The diagrams below show the various states of connection for electrical components.

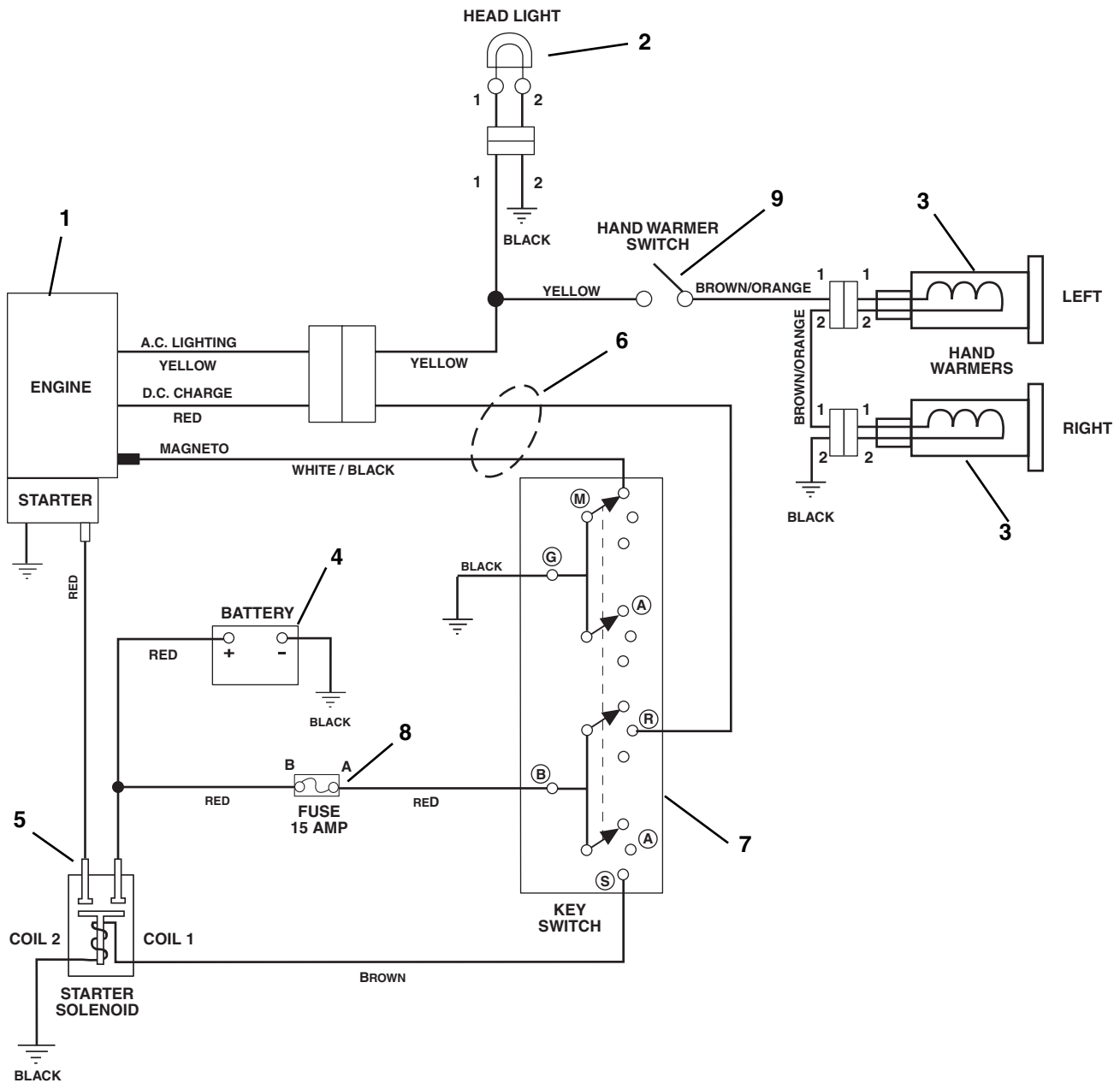
The solid lines on switches show continuity.

NOTE: All switches are viewed from the rear.

<p>Key Switch (02739600)</p>  <div style="display: flex; justify-content: space-around; margin-top: 5px;"> OFF RUN START </div>	<p>Hand Warmer Switch (02485700)</p>  <div style="display: flex; justify-content: space-around; margin-top: 5px;"> HAND WARMER OFF HAND WARMER ON </div>
<p>Solenoid (Top View) (03679000)</p>  <div style="display: flex; justify-content: space-around; margin-top: 5px;"> NOT ENERGIZED ENERGIZED </div>	

WIRING DIAGRAM

Model 924333, 334



PS0672

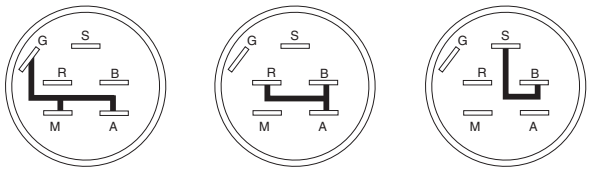
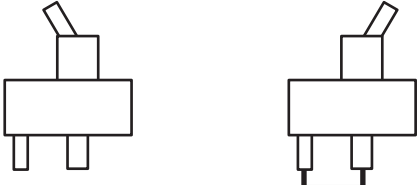
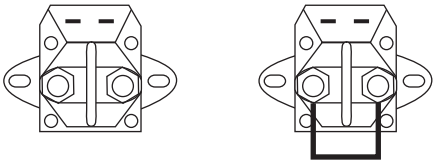
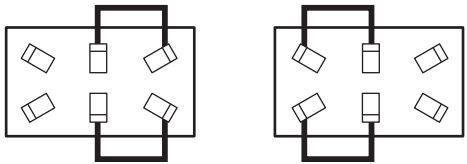
Item	Part No.	Qty.	Description
1	08260800	AR	Engine, 10HP OHV Tecumseh- 12 Volt
	08261000	AR	Engine, 11HP OHV Tecumseh- 12 Volt
2	02485900	AR	Headlight
3	07532900	2	Grips, Hot
4		AR	Battery Recommend 340 to 350 CCA at 0° F. Size U1R or U1L
5	03679000	1	Solenoid
6	02488900	1	Wire Harness 12 Volt
7	52707300	1	Switch Assembly, Key
8	00524700	1	15 AMP Fuse
9	02485700	1	Switch, Hand Warmer

CONTINUITY DIAGRAM

Model 924502, 503

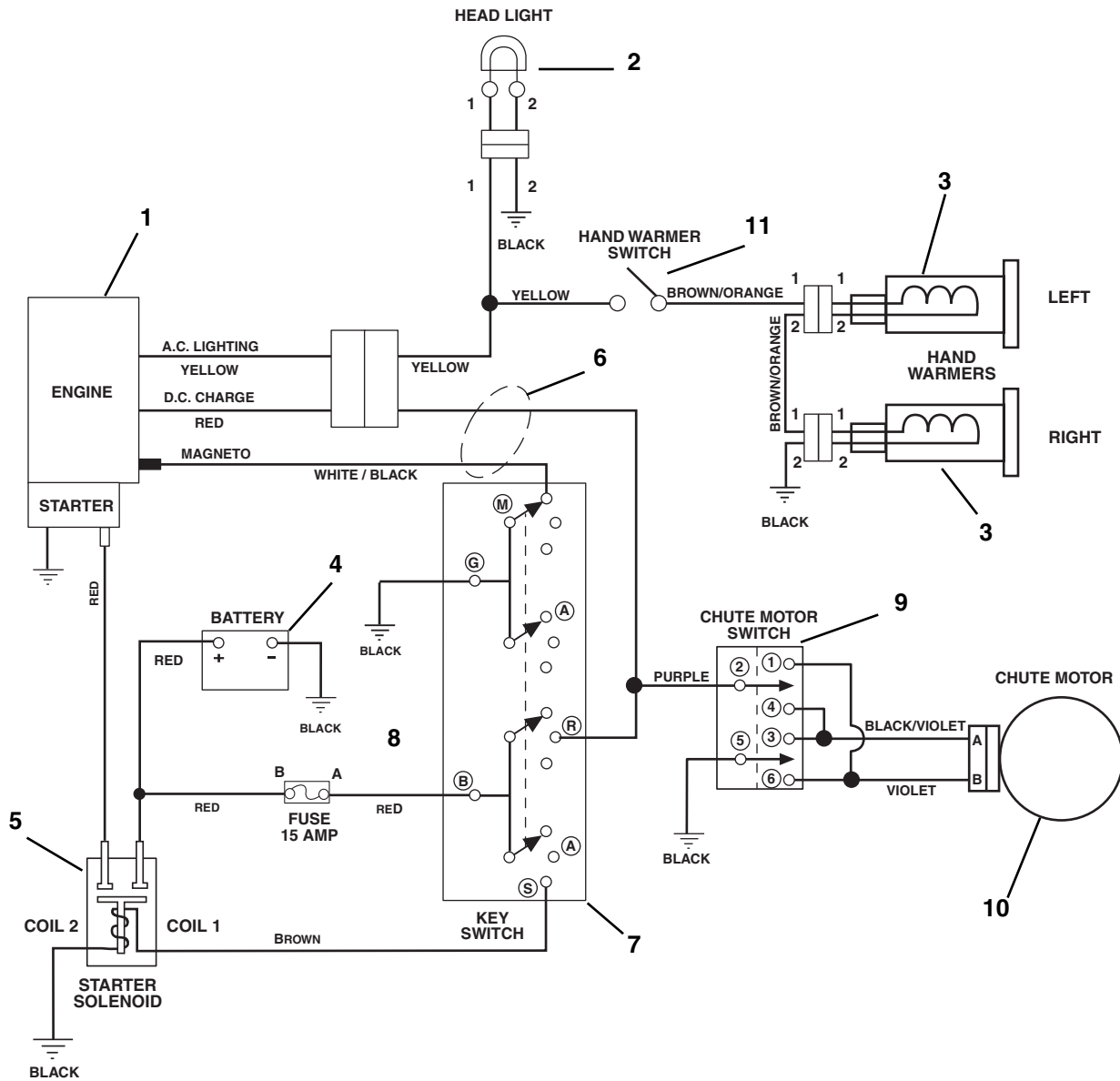
The diagrams below show the various states of connection for electrical components.
The solid lines on switches show continuity.

NOTE: All switches are viewed from the rear.

<p>Key Switch (02739600)</p>  <p style="text-align: center;">OFF RUN START</p>	<p>Hand Warmer Switch (02485700)</p>  <p style="text-align: center;">HAND WARMER OFF HAND WARMER ON</p>
<p>Solenoid (Top View) (03679000)</p>  <p style="text-align: center;">NOT ENERGIZED ENERGIZED</p>	<p>Chute Motor Switch (02485600)</p>  <p style="text-align: center;">LEVER LEFT CHUTE LEFT LEVER RIGHT CHUTE RIGHT</p>

WIRING DIAGRAM

Model 924502, 503

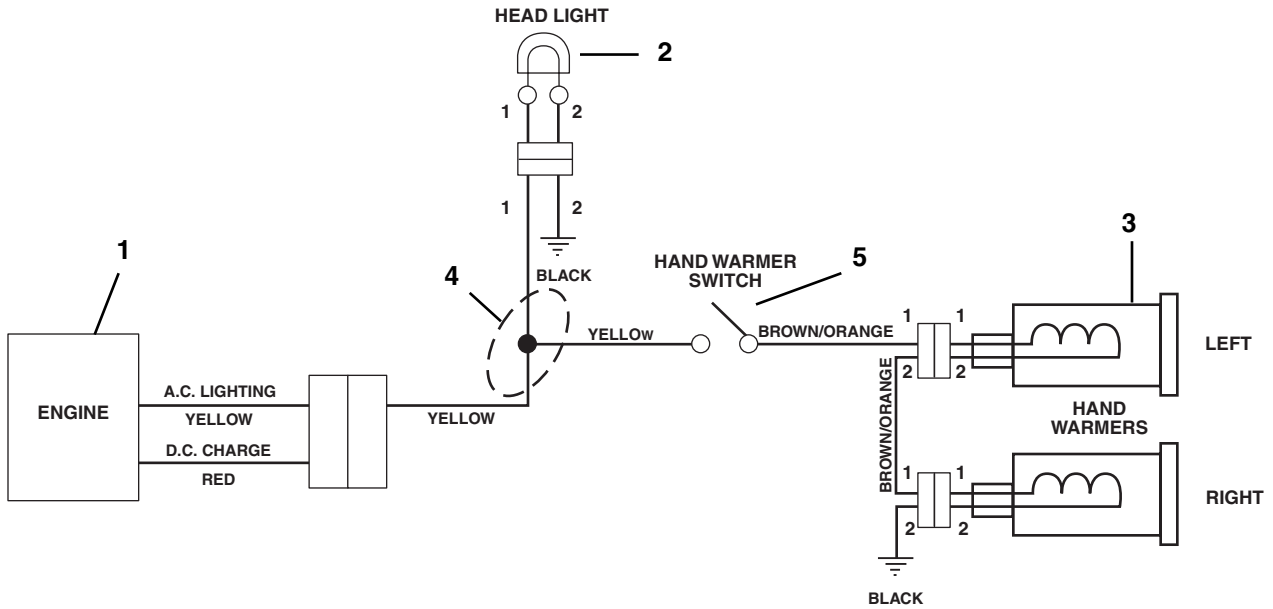


PS0850

Item	Part No.	Qty.	Description
1	08261100	AR	Engine, 13 HP OHV Tecumseh- 12 Volt
	08261000	AR	Engine, 11 HP OHV Tecumseh- 12 Volt
2	02485900	AR	Headlight
3	07532900	2	Grips, Hot
4		AR	Battery Recommend 340 to 350 CCA at 0° F. Size U1R or U1L
5	03679000	1	Solenoid
6	02488700	1	Wire Harness 12 Volt
7	52707300	1	Switch Assembly, Key
8	00524700	1	15 AMP Fuse
9	02485600	1	Switch, Chute Motor
10	02486300	1	Motor, Electric Right Hand- Chute
11	02485700	1	Switch, Hand Warmer

CONTINUITY AND WIRING DIAGRAMS

Model 924119, 120, 504



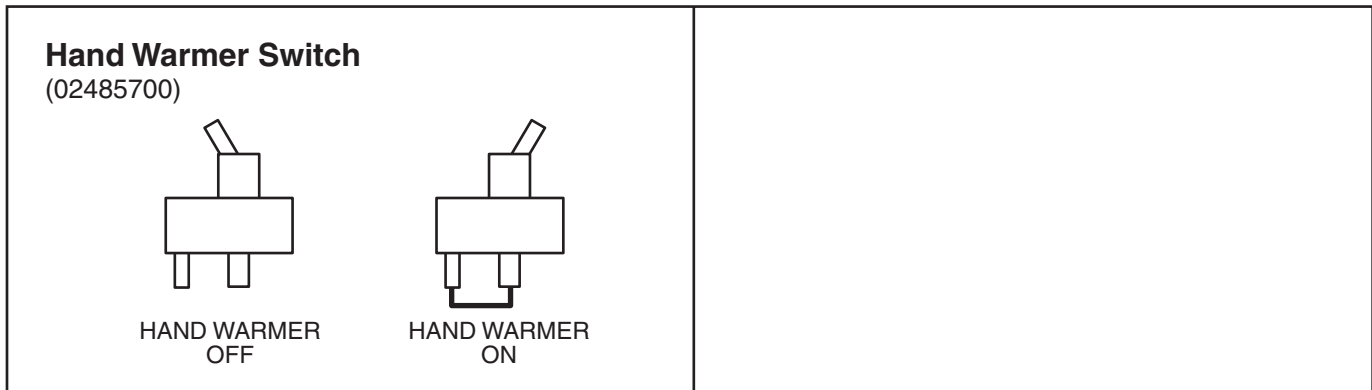
PS0830

Item	Part No.	Qty.	Description
1	08262200	1	Engine, 10HP L Head Tecumseh - 120 Volt (119)
	08260700	1	Engine, 10HP OHV Tecumseh- 120 Volt (120)
	08261200	1	Engine, 9HP Tecumseh OHV (504)
2	02485900	1	Headlight
3	07532900	2	Handle Hand Warmer with Terminal
4	02488800	1	Wire Harness-Hand Warmers and Light (119, 120, 504)
5	02485700	1	Switch, Hand Warmer

The diagrams below show the various states of connection for electrical components.

The solid lines on switches show continuity.

NOTE: All switches are viewed from the rear.



PS0820



Ariens Company
655 West Ryan Street
P.O. Box 157
Brillion, WI 54110-0157
920-756-2141
Fax 920-756-2407
www.ariens.com