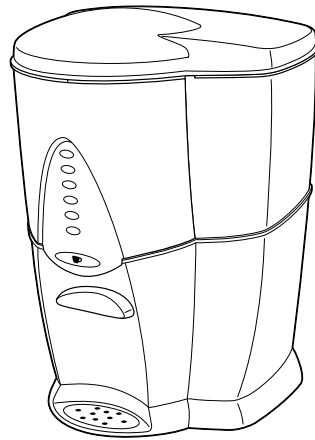


**Hamilton Beach®**

*BrewStation™*



English ..... 2  
USA: 1-800-851-8900  
Canada : 1-800-267-2826

840106400

## IMPORTANT SAFEGUARDS

When using electrical appliances, basic safety precautions should always be followed to reduce the risk of fire, electric shock, and/or injury to persons, including the following:

1. Read all instructions.
2. Do not touch hot surfaces. Use handles or knobs. Care must be taken, as burns can occur from touching hot parts or from spilled, hot liquid.
3. To protect against electric shock, do not place cord, plug or brew station in water or other liquid.
4. Close supervision is necessary when any appliance is used by or near children.
5. Unplug from outlet when either the brew station or clock is not in use and before cleaning. Allow to cool before putting on or taking off parts and before cleaning the appliance.
6. Brew station must be operated on a flat surface away from the edge of counter to prevent accidental tipping.
7. Do not operate any appliance with a damaged cord or plug, or after the appliance malfunctions or is dropped or damaged in any manner. Call our toll-free customer service number for information on examination, repair, or adjustment.
8. The use of accessory attachments not recommended by Hamilton Beach/Proctor-Silex, Inc. may cause injuries.
9. Do not use outdoors.
10. Do not let cord hang over edge of table or counter or touch hot surfaces, including stove.
11. The coffee tank is designed for use with this brew station. It must never be used on a range top or in a microwave oven.
12. Do not place brew station on or near a hot gas or electric burner or in a heated oven.
13. To disconnect brew station, turn controls to OFF, then remove plug from wall outlet.
14. Scalding may occur if the cover is lifted during the brewing cycle.

15. Warning: To reduce the risk of fire or electric shock, do not remove the bottom cover. No user serviceable parts are inside. Repair should be done by authorized service personnel only.
16. Do not use appliance for other than intended use.

## SAVE THESE INSTRUCTIONS!

### CONSUMER SAFETY INFORMATION

**This appliance is intended for household use only.**

This appliance is equipped with a polarized plug. This type of plug has one blade wider than the other. The plug will fit into an electrical outlet only one way. This is a safety feature intended to help reduce the risk of electrical shock. If you are unable to insert the plug into the outlet, try reversing the plug. If the plug should still fail to fit, contact a qualified electrician to replace the obsolete outlet. Do not attempt to defeat the safety purpose of the polarized plug by modifying the plug in any way.

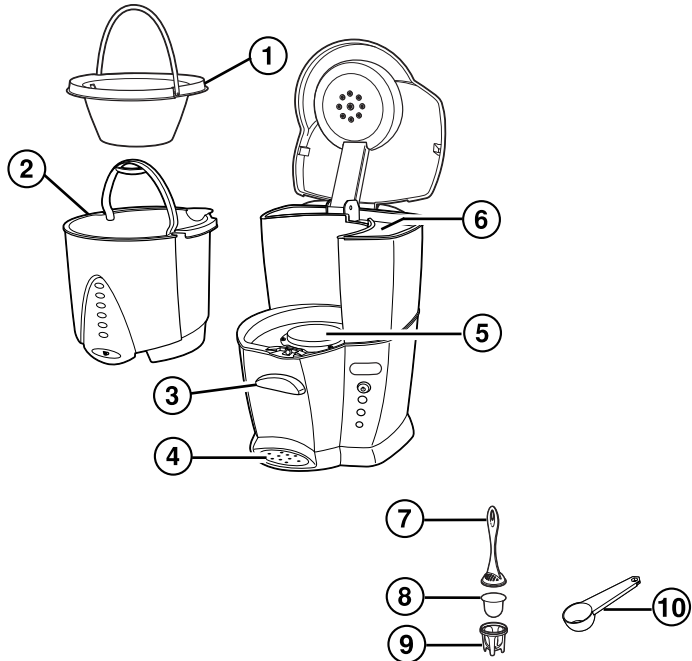
The length of the cord used on this appliance was selected to reduce the hazards of becoming tangled in, or tripping over a longer cord. If a longer cord is necessary an approved extension cord may be used. The electrical rating of the extension cord must be equal to or greater than the rating of the brew station. Care must be taken to arrange the extension cord so that it will not drape over the counter-top or tabletop where it can be pulled on by children or accidentally tripped over.

To avoid an electrical circuit overload, do not use another high wattage appliance on the same circuit with your brew station.

## Parts and Features

- |                     |                       |
|---------------------|-----------------------|
| 1. Filter Basket    | 6. Reservoir          |
| 2. Coffee Tank      | 7. Water Filter Lid*  |
| 3. Coffee Dispenser | 8. Water Filter*      |
| 4. Drip Tray        | 9. Water Filter Base* |
| 5. Keep Warm Plate  | 10. Coffee Scoop      |

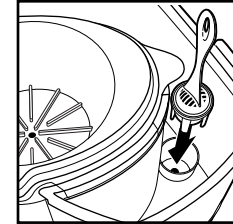
\*optional feature on selected models



4

## To Make Coffee

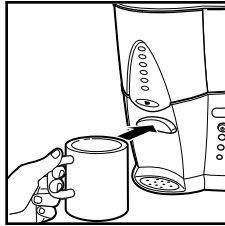
1. Before first use, clean brew station by following steps listed in "To Clean the Inside of the BrewStation."
2. Place water filter and water filter holder into reservoir. (See Optional Features.)
3. Fill coffee tank with the desired amount of cold tap water.
4. Pour water from coffee tank into reservoir. Do not exceed Max Fill.
5. Place coffee tank on Keep Warm Plate.
6. Place a disposable paper filter in the filter basket. Use a good quality cupcake (basket) style filter (8 to 12 cup size). A permanent filter may also be used. Place filter basket on coffee tank.
7. For each cup of coffee being made, place one level tablespoon of coffee into filter basket. Close lid making sure it is fully closed.
8. For clock model, press **Auto/ON/OFF** button once for automatic brew or press twice for coffee now. For non-clock model, press **ON/OFF** button once for coffee now. Care should be taken when handling the coffee tank after brewing.



5

- To dispense coffee, press the coffee dispenser with a cup. Remove cup when the desired amount has been dispensed. Coffee may be dispensed during and after brewing.

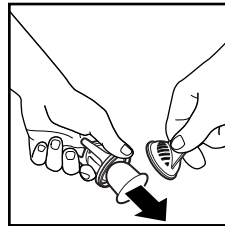
- When finished, push **ON/OFF** button to turn off, then unplug brew station. If desired, press **ON/OFF** before the two-hour auto off turns the unit off automatically.



## Optional Features (on selected models)

### Water Filter

- To replace, pull up on lid of filter holder while holding filter base, turn filter base to allow filter to drop out.
- Before first use, soak water filter in cold tap water for 15 minutes. Then rinse under cold running tap water for 15 seconds.
- Insert filter in base. Snap lid onto base.
- Place filter and filter holder in reservoir.
- Replace after 60 brew cycles of coffee. Set your replacement month by aligning the arrow with the month you expect will represent 60 brew cycles.



### Permanent Filter

The Permanent Filter takes the place of disposable paper filters. Simply place the Permanent Filter in the filter basket. Rinse the Permanent Filter in hot water before first use. Clean the Permanent Filter under hot running water and let dry. Permanent Filter can be placed in top rack of automatic dishwasher.

## Optional Features (cont.)

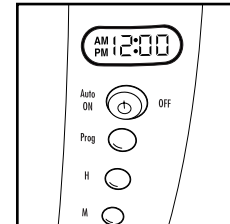
### Programmable Clock/Timer

#### To Set Clock:

- Plug in brew station. Numbers on the clock will flash until you set time of day or one minute elapses.
- To set time of day, press **H** button to set current hour with AM or PM.
- Press **M** button until you reach the current time.

#### To Program Automatic Brew:

- Make sure clock is set for correct time of day.
  - Press **Prog** button and digits will flash.
  - Press **H** and **M** buttons until desired brewing time is reached.
  - Press **Prog** button to confirm setting. Digits will stop flashing and return to set time of day.
  - Once brewing time has been set, follow this procedure:
    - Follow steps 2–10 in “To Make Coffee.”
    - Push **Auto/ON/OFF** button once and “PRO” will be shown in display indicating the brew cycle will begin at the set time.
- NOTE:** If the **Auto/ON/OFF** button is pushed twice, brewing will begin immediately (see page 5).



## Cleaning Instructions

To maintain the performance of your brew station, clean once a month.

### To Clean the Inside of the BrewStation:

1. Remove water filter and water filter holder (optional feature).
2. Plug in brew station and set the clock (on clock model).
3. Place empty coffee tank on Keep Warm Plate. Do not add coffee into filter basket.
4. Pour one pint of plain white vinegar into the reservoir.
5. To turn ON, press **Auto/ON/OFF** button twice for clock model or once for non-clock model. After 20 seconds turn OFF.
6. Wait 20 minutes to allow the vinegar to clean. Then turn ON again. When the brew cycle is finished, turn OFF. Wait for brew station to cool, then empty coffee tank and rinse.
7. Pour one coffee tank of cold tap water into the reservoir. Place coffee tank on Keep Warm Plate.
8. To turn ON, press **Auto/ON/OFF** button twice for clock model or once for non-clock model. When the brew cycle is finished, empty the coffee tank. Allow brew station to cool, then repeat this process with one more coffee tank of cold tap water.
9. Turn OFF when complete.
10. Wash coffee tank and brew basket before making a beverage.

### To Clean Coffee Tank and Filter Basket:

Coffee tank, drip tray, and filter basket should be washed in hot, soapy water. Filter basket may be washed on the top rack of the dishwasher.

## Customer Service

If you have a question about your brew station, call our toll-free customer service number. Before calling, please note the model, type, and series numbers and fill in that information below. These numbers can be found on the bottom of your brew station. This information will help us answer your question much more quickly.

**MODEL:** \_\_\_\_\_ **TYPE:** \_\_\_\_\_ **SERIES:** \_\_\_\_\_

### LIMITED WARRANTY

This product is warranted to be free from defects in material and workmanship for a period of two (2) years for Hamilton Beach Portfolio products or one (1) year for Hamilton Beach products from the date of original purchase, except as noted below. During this period, we will repair or replace this product, at our option, at no cost. THE FOREGOING WARRANTY IS IN LIEU OF ANY OTHER WARRANTY, WHETHER EXPRESS OR IMPLIED, WRITTEN OR ORAL INCLUDING ANY WARRANTY OF MERCHANTABILITY OR FITNESS FOR A PARTICULAR PURPOSE. ANY LIABILITY IS EXPRESSLY LIMITED TO AN AMOUNT EQUAL TO THE PURCHASE PRICE PAID, AND ALL CLAIMS FOR SPECIAL, INCIDENTAL AND CONSEQUENTIAL DAMAGES ARE HEREBY EXCLUDED. There is no warranty with respect to the following, which may be supplied with this product: glass parts, glass containers, cutter/strainer, blades, and/or agitators. This warranty extends only to the original consumer purchaser and does not cover a defect resulting from abuse, misuse, neglect, use for commercial purposes, or any use not in conformity with the printed directions. This warranty gives you specific legal rights, and you may also have other legal rights which vary from state to state, or province to province. Some states or provinces do not allow limitations on implied warranties or special, incidental or consequential damages, so the foregoing limitations may not apply to you.

If you have a claim under this warranty, DO NOT RETURN THE APPLIANCE TO THE STORE! Please call our CUSTOMER SERVICE NUMBER. (For faster service please have model, series, and type numbers ready for operator to assist you.)

### CUSTOMER SERVICE NUMBERS

In the U.S. 1-800-851-8900

In Canada 1-800-267-2826

Web site address: [www.hamiltonbeach.com](http://www.hamiltonbeach.com)

**KEEP THESE NUMBERS FOR FUTURE REFERENCE!**

HAMILTON BEACH ♦ PROCTOR-SILEX, INC.  
263 Yadkin Road  
Southern Pines, NC 28387

PROCTOR-SILEX CANADA, INC.  
Picton, Ontario K0K 2T0

840106400

Web site address: [www.hamiltonbeach.com](http://www.hamiltonbeach.com)

12/02