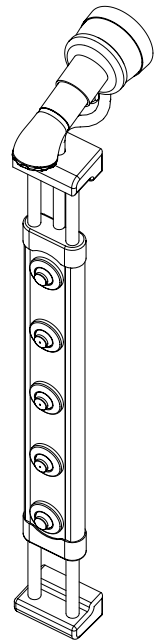


VertiSpa™ Designer Shower Massage System

6035

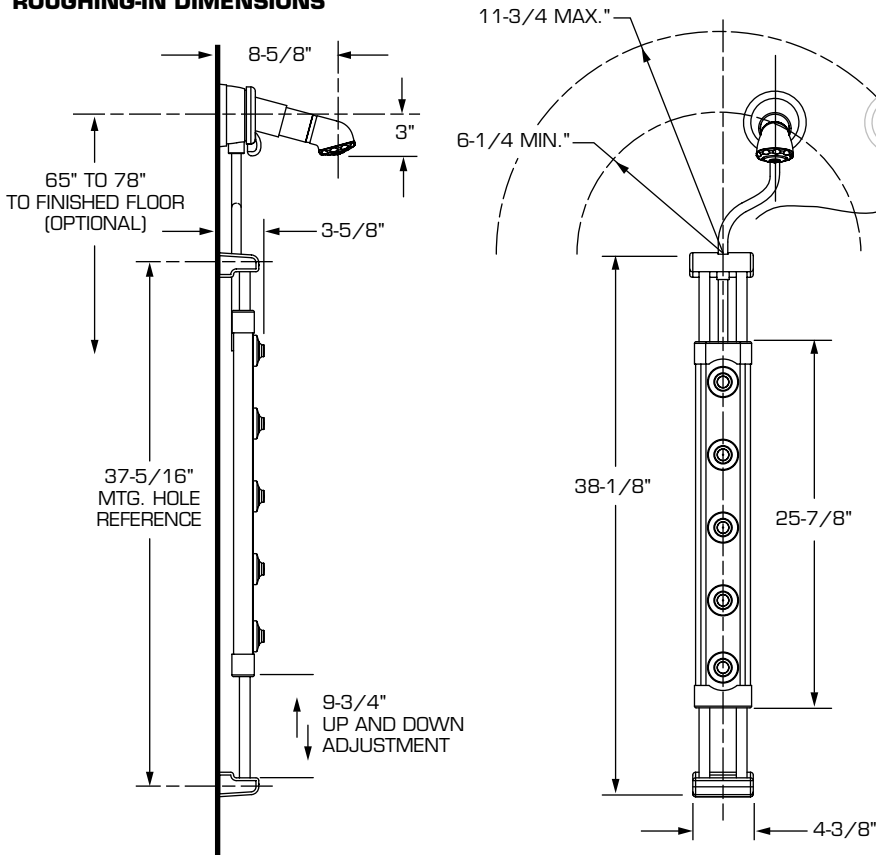
Thank you for selecting American-Standard...the benchmark of fine quality for over 100 years.

To ensure that your installation proceeds smoothly—please read these instructions carefully before you begin.

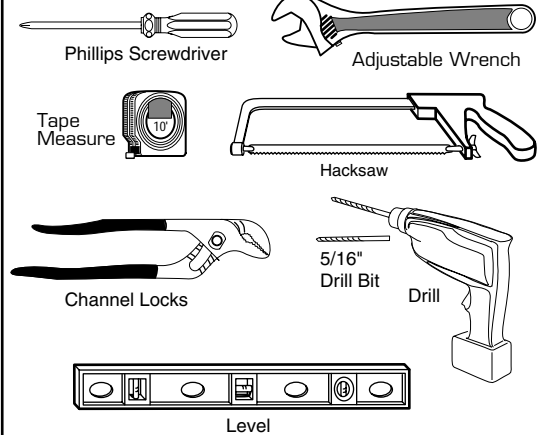


Certified to comply with ANSI A112.18.1M
M968416 REV 1.1

ROUGHING-IN DIMENSIONS

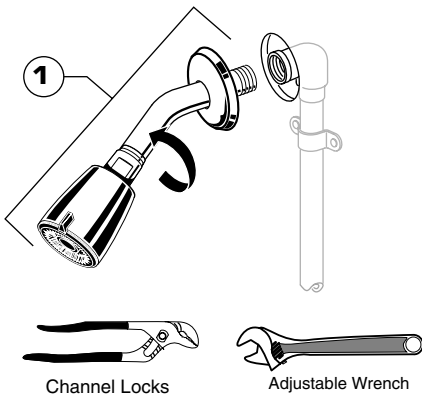


Tools required for installation:



1 REMOVE EXISTING SHOWER HEAD

- Using an adjustable wrench or channel locks, remove the existing Shower Head, Arm and Flange (1) by turning counter-clockwise.



2 INSTALL PIPE NIPPLE

- Figure 1.** Apply Teflon tape (provided) to the end of the PIPE NIPPLE (1).
- Figure 2.** Thread PIPE NIPPLE (1) into elbow fitting, using adjustable wrench and tighten. Then, using a hacksaw, cut off excess PIPE NIPPLE (1) at the 3rd groove from the finished wall. Discard the excess pipe and remove any burrs and debris from the nipple.
- Figure 3.** Install O-RING (2) into groove next to finished wall. One extra O-RING (2) is provided in parts bag.

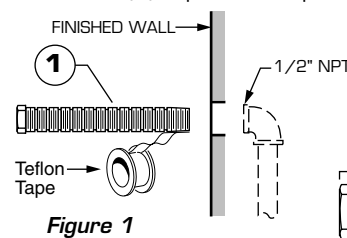


Figure 1

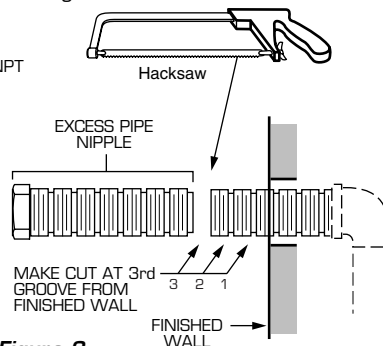


Figure 2

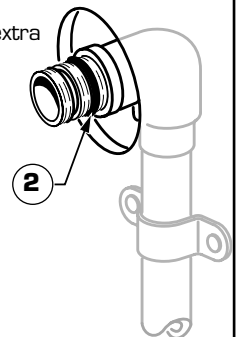
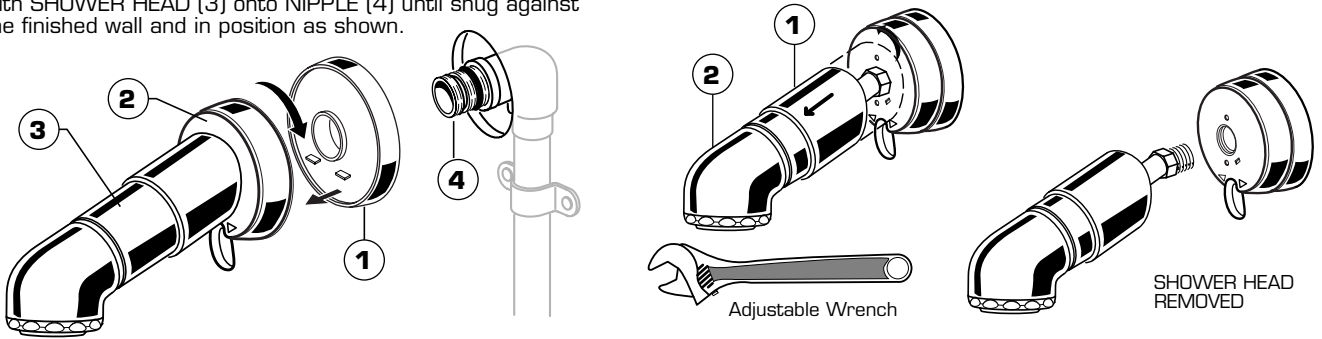


Figure 3

3 INSTALL DIVERTER WITH SHOWER HEAD

- Ensure ESCUTCHEON (1) is assembled onto DIVERTER (2). Hold DIVERTER BODY (2) and thread the DIVERTER (2) with SHOWER HEAD (3) onto NIPPLE (4) until snug against the finished wall and in position as shown.



- (NOTE: If customer desires to use alternate shower head, then pull back Escutcheon (1) on SHOWER HEAD (2) and turn counter-clockwise with an adjustable wrench. Replace with customer shower head, arm and flange.)

4 INSTALL the VertiSpa™ UNIT

- Remove END CAPS (1) from the two ends by sliding forward over the detents as arrows show in illustration. Locate the unit vertically on the shower wall in the desired position. (Do not mount the unit closer than 6-1/4" (160mm) or further than 11-3/4" (300mm) from the DIVERTER.

4a FOR TILE, CORIAN® OR MARBLE/GRANITE WALL INSTALLATIONS

Note: For granite (Marble) wall installations use of a hammer drill is suggested.

- **Figure 1.** Hold Vertispa unit in desired location. Refer to roughing-in dimensions.
- Mark location of the upper mounting hole. Using a 3/16" carbide drill bit (provided), drill the mounting hole into the shower wall and install hardware. (See Figure 2). (Caution: Take care when drilling between the Diverter and the valves as water pipes may be located here). Mount the unit with screw provided and set the unit vertical using a level. Now mark the lower mounting hole. Remove or swing aside the unit, drill lower mounting hole and install hardware into mounting hole.
- Use mounting screw provided to secure lower section of unit. Slide END CAPS (1) back into position.

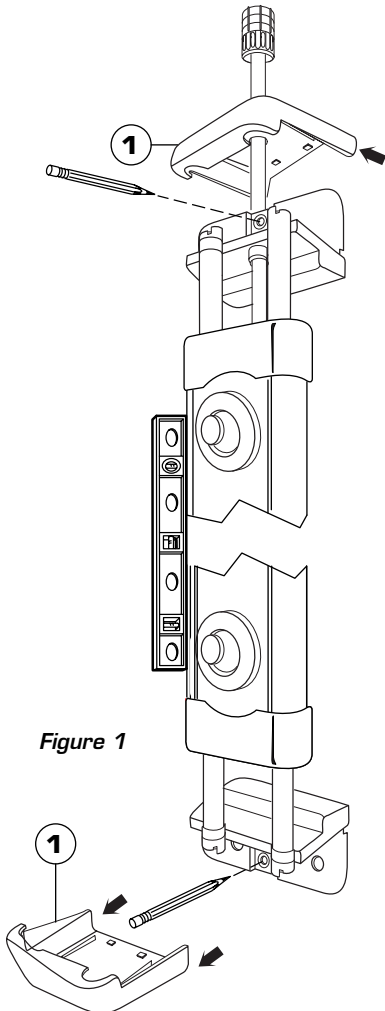


Figure 1

4b FOR THIN WALL INSTALLATIONS

- **Figure 3.** Use 5/16" standard drill bit (not provided) and drill two mounting holes as detailed above. (Caution: Take care when drilling between the Diverter and the Valves as water pipes may be located here.)
- Insert two TOGGLE ANCHORS (1) and secure unit using the two screws provided.

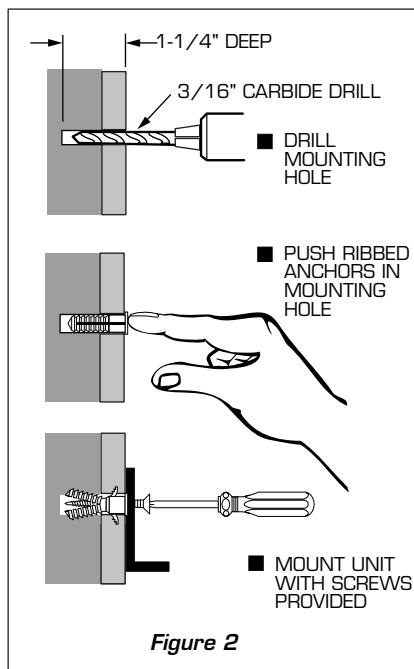


Figure 2

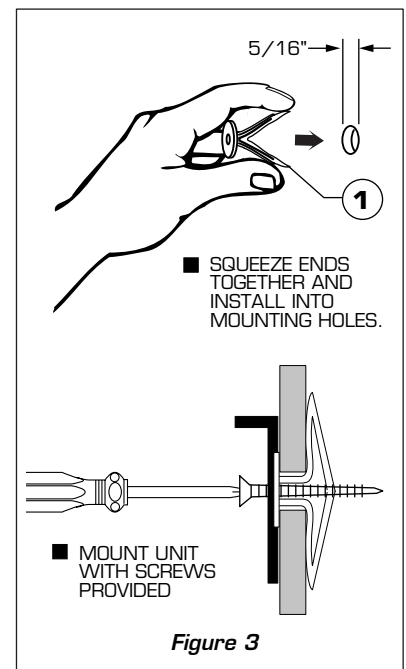
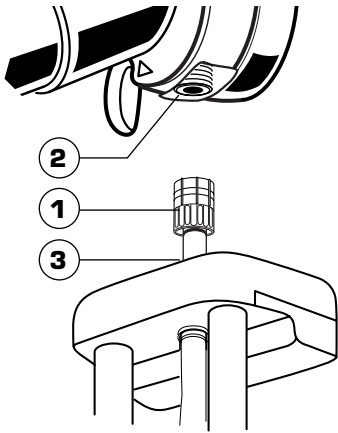


Figure 3

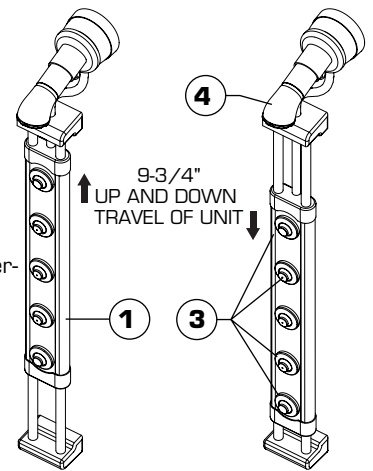
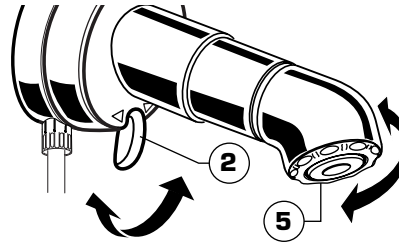
5 CONNECT FLEXIBLE HOSE TO DIVERTER

- Thread the HOSE COUPLING (1) onto DIVERTER NIPPLE (2) and hand tighten clockwise. Note: Moulded end of HOSE COUPLING (1) creates watertight seal with thread of DIVERTER NIPPLE (2), so seal washer is not required.
- Make sure HOSE (3) is not kinked or twisted.



6 OPERATION

- SPRAY UNIT (1) can be adjusted up and down by sliding unit along the rails. (See Maintenance section for steps to adjust the tension of SPRAY UNIT (1) on the rails.)
- Shower function can be diverted by rotating DIVERTER ARM (2) clockwise for flow out of SPRAYS (3) and counter-clockwise for flow out of SHOWER HEAD (4).
- SHOWER HEAD SPRAY (5) can be adjusted by rotating outer ring on the faceplate.



7 MAINTENANCE

Removing spray for cleaning or changing spray location

- **Figure 1.** Unscrew the TRIM RING (2) on the outside of the SPRAY HEADS (1) by twisting 1/8th of a turn counter-clockwise.
- Remove the O-RING (4) and NOZZLE (3).
- Nozzle (3) can be cleaned using soft bristled brush.
- Replace O-RING (4) and NOZZLE (3) and lock the TRIM (2) into place by twisting it clockwise until it clicks.

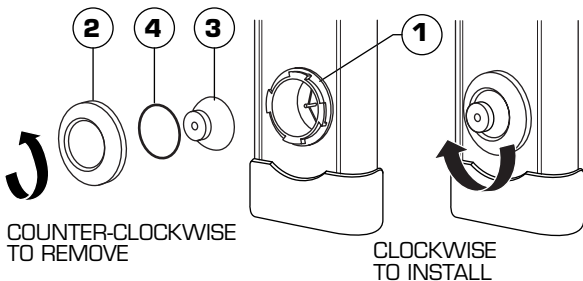


Figure 1

Adjusting tension of SPRAY UNIT on vertical rails.

- Shower system comes with two FRICTION CLIPS (5) installed.
- Move SPRAY UNIT (6) up and down along vertical rails. FRICTION CLIP (5) holds the SPRAY UNIT (6) at desired location.
- **(Figure 2)** If SPRAY UNIT (6) has too much tension on vertical rails, then remove one FRICTION CLIP (5) or reposition the CLIPS (5) closer to the center of the unit. (Note: Tension on vertical rails will reduce when shower system is moistened from shower application.)

- **(Figure 3)** To replace FRICTION CLIP (5), insert groove of FRICTION CLIP (5) onto inside edge of SPRAY UNIT (6). Rotate other end down and press until the FRICTION CLIP (5) snaps into position onto tab of SPRAY BODY (7).

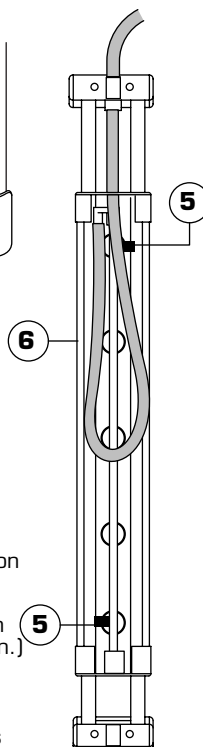
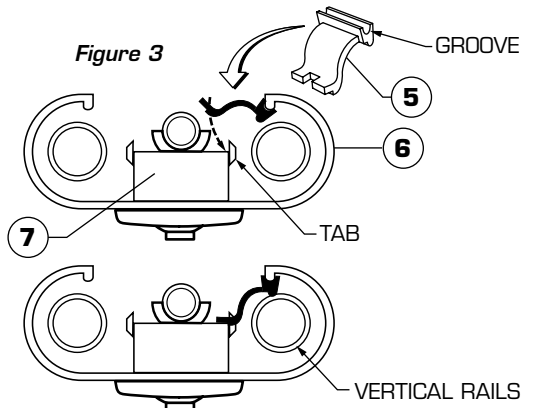


Figure 2



8

CARE INSTRUCTIONS:

DO: SIMPLY RINSE THE PRODUCT CLEAN WITH CLEAR WATER. DRY WITH A SOFT COTTON FLANNEL CLOTH.

DO NOT: CLEAN THE PRODUCT WITH SOAPS, ACID, POLISH, ABRASIVES, HARSH CLEANERS, OR A CLOTH WITH A COARSE SURFACE.



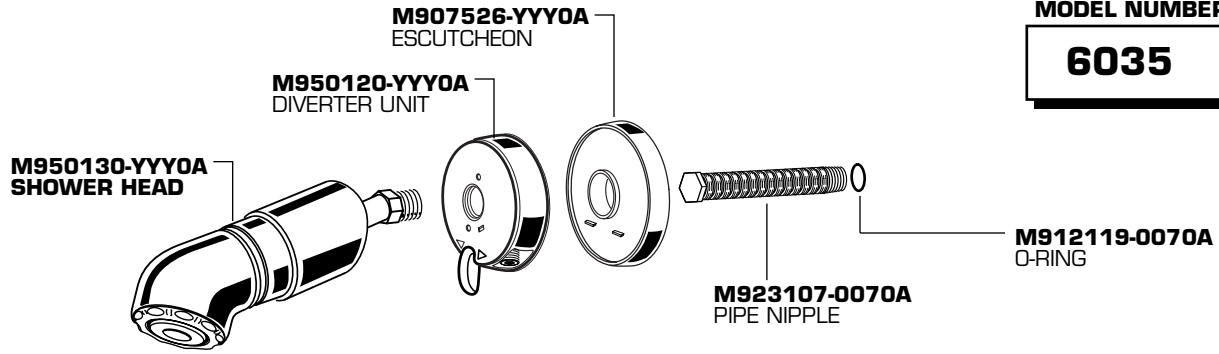
HOT LINE FOR HELP
For toll-free information and answers to your questions, call:
1 (800) 442-1902
Weekdays 8:00 a.m. to 7:00 p.m. Eastern Time
IN CANADA 1-800-387-0369 (TORONTO 1-905-306-1093)

Product names listed herein are trademarks of American Standard Inc.
©American Standard Inc. 2004

M968416 REV 1.1

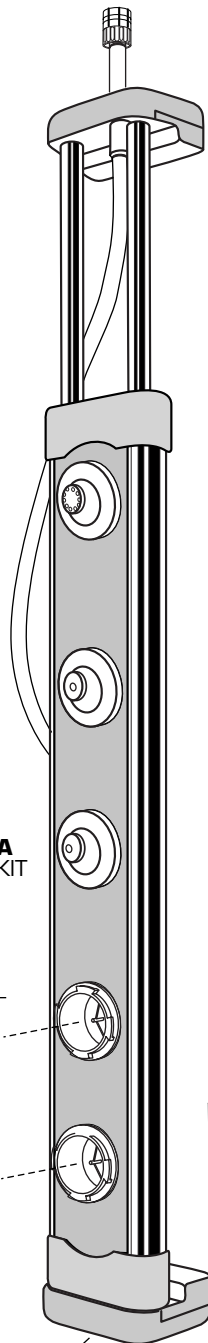
MODEL NUMBER

6035



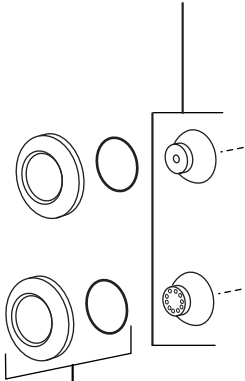
Replace the "YYY" with appropriate finish code

CHROME	002
--------	-----



- M962292-0070A
MOUNTING KIT**
- SCREWS (2)
 - ANCHOR (2)
 - TOGGLE ANCHOR (2)
 - DRILL BIT (1)
 - TEFLON TAPE (1)

M962291-0070A
SPRAY NOZZLES KIT



M923106-0070A
FRICTION CLIP

M962290-YYY0A
SPRAY TRIM KIT

M923112-YYY0A
END CAP