

American Standard

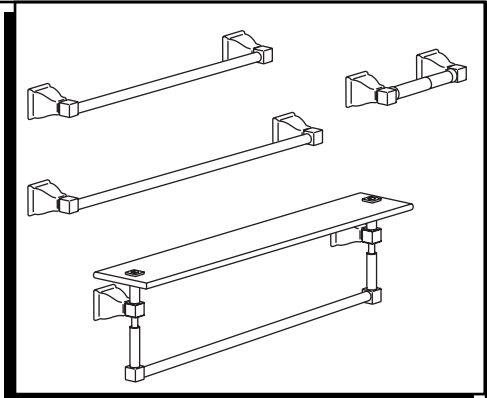
# Installation Instructions

2555.018  
2555.024  
2555.034  
2555.061

## TOWNSQUARE ACCESSORIES

18" TOWEL BAR  
24" TOWEL BAR  
24" TOWEL BAR WITH GLASS SHELF  
TOILET TISSUE HOLDER

Thank you for selecting American-Standard...the benchmark of fine quality for over 100 years.  
To ensure that your installation proceeds smoothly—please read these instructions carefully before you begin.



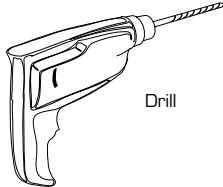
Certified to comply with ANSI A112.18.1

M968232C

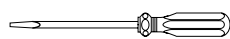
### Recommended Tools



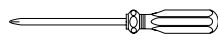
Tape Measure



Drill



Regular Screwdriver



Phillips Screwdriver

### CARE INSTRUCTIONS:

**DO: SIMPLY RINSE THE PRODUCT CLEAN WITH CLEAR WATER. DRY WITH A SOFT COTTON FLANNEL CLOTH.**

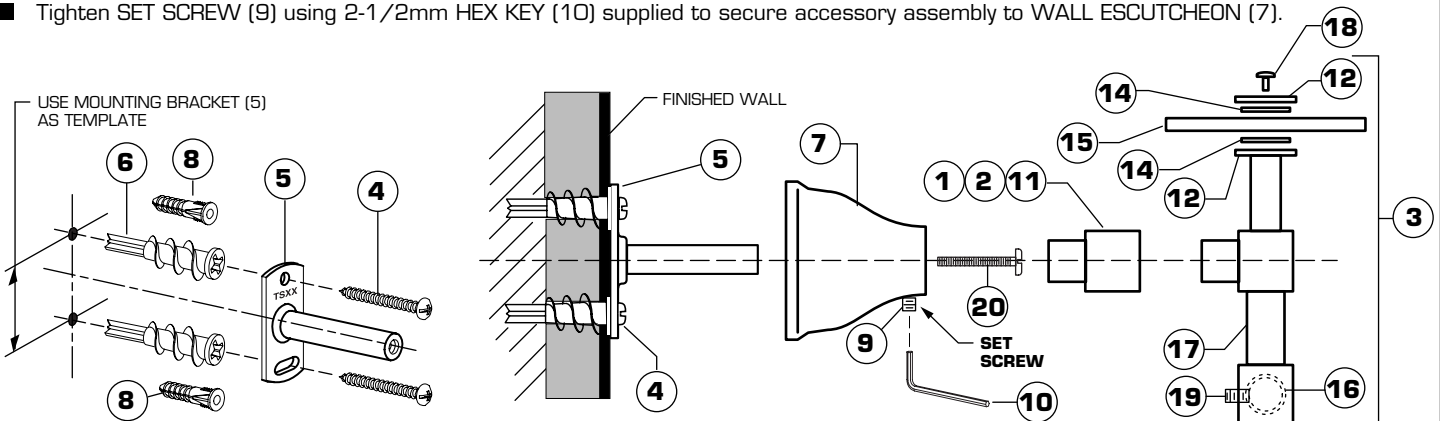
**DO NOT: CLEAN THE PRODUCT WITH SOAPS, ACID, POLISH, ABRASIVES, HARSH CLEANERS, OR A CLOTH WITH A COARSE SURFACE.**

## 1 18" TOWEL BAR, 24" TOWEL BAR, 24" TOWEL BAR W/GLASS SHELF AND TOILET TISSUE HOLDER MOUNTING & INSTALLATION

- The 18" TOWEL BAR (1), 24" TOWEL BAR (2), 24" TOWEL BAR W/GLASS SHELF (3) and TOILET TISSUE HOLDER (11) work best if secured to a wall stud or cross brace within the wall, using the SCREWS (4) supplied.
- If the 18" TOWEL BAR (1), 24" TOWEL BAR (2), 24" TOWEL BAR W/GLASS SHELF (3) and TOILET TISSUE HOLDER (11) are to be installed on a tile or plaster wall the ANCHORS (8) and SCREWS (4) should be used.
- Determine desired height and location (optional) and mark a center line. For the 24" TOWEL BAR (2) and 24" TOWEL BAR W/GLASS SHELF (3) mark a centerline 24" horizontally from the first location. For the 18" TOWEL BAR (1) mark a centerline 18" from the first location. For the TOILET TISSUE HOLDER (11) mark a centerline 7" from the first location. Using the MOUNTING PLATE (5) as a template mark the two spots for the mounting holes. Repeat for the other MOUNTING PLATE (5). If MOUNTING PLATE (5) is secured to a stud or cross brace drill small pilot holes for SCREWS (4).
- **For installations on drywall**, use DRYWALL ANCHOR (6) and SCREWS (4) for securing MOUNTING PLATES (5) to wall. Place #2 Phillips screwdriver or cordless screwdriver into recess of anchor. Press into drywall while turning the anchor clockwise until it is seated flush with the wall. Place MOUNTING PLATES (5) over DRYWALL ANCHORS (6) and insert screws provided with #2 Phillips screwdriver. See illustration below. Secure MOUNTING PLATES (5) to wall with SCREWS (4).
- **For installations on tiled walls**, if TILE ANCHORS (8) and SCREWS (4) are used for securing MOUNTING PLATE (5), then drill two 1/4" diameter holes a minimum of 1-1/4" deep. Insert the two TILE ANCHORS (8) flush with face of the finished wall.
- Secure MOUNTING PLATES (5) to wall with SCREWS (4).

## 2 INSTALL 18" TOWEL BAR, 24" TOWEL BAR, 24" TOWEL BAR W/ GLASS SHELF AND TOILET TISSUE HOLDER

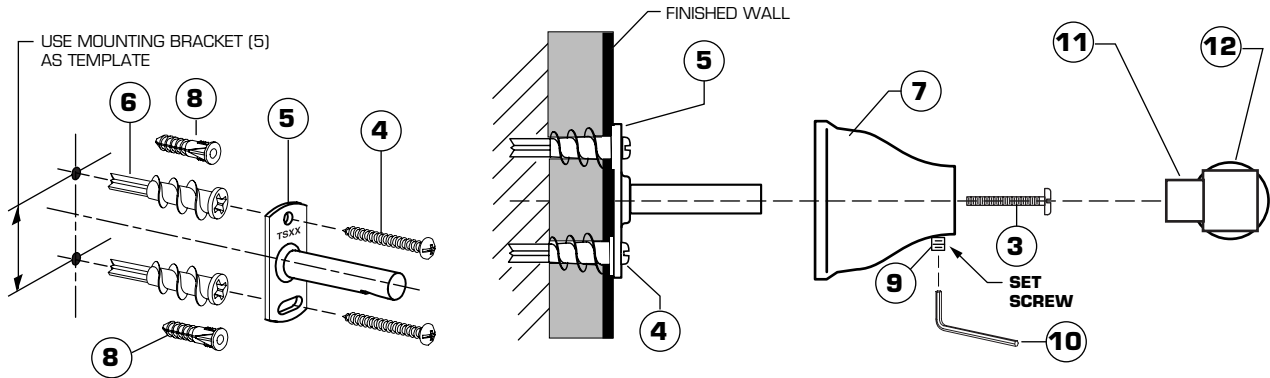
- Place ESCUTCHEON (7) onto MOUNTING BRACKET (5), and secure with ATTACHMENT SCREW (20).
- For the 24" TOWEL BAR W/ GLASS SHELF (3), Install TOWEL BAR (16) into bottom of HANGER ROD POSTS (17). Align SET SCREW (19) in back of LEFT HANGER ROD POST (17) with hole in TOWEL BAR (16). Tighten SET SCREW (19) to restrict rotation of TOWEL BAR (16). Install the SQUARE WASHER (12), WASHER (14), GLASS SHELF (15), WASHER (14) and SQUARE WASHER (12) onto HANGER ROD POST (17). Install and tighten SCREWS (18). See illustration.
- Install the 18" TOWEL BAR (1), 24" TOWEL BAR (2), 24" TOWEL BAR W/ GLASS SHELF (3) into WALL ESCUTCHEON (7).
- Tighten SET SCREW (9) using 2-1/2mm HEX KEY (10) supplied to secure accessory assembly to WALL ESCUTCHEON (7).



# 2

## INSTALL TOILET TISSUE HOLDER

- Place ESCUTCHEON (7) onto MOUNTING BRACKET (5), and secure with ATTACHMENT SCREW (3).
- Install the TOILET TISSUE HOLDERS (11) into the WALL ESCUTCHEONS (7).
- Tighten SET SCREWS (9) using 2-1/2mm HEX KEY (10) supplied to secure assembly to ESCUTCHEONS (7).
- Place TISSUE ROLLER ASSEMBLY (12) into TOILET TISSUE HOLDER (11) by pushing the ends together and releasing into the TOILET TISSUE HOLDER (11).



*American Standard*

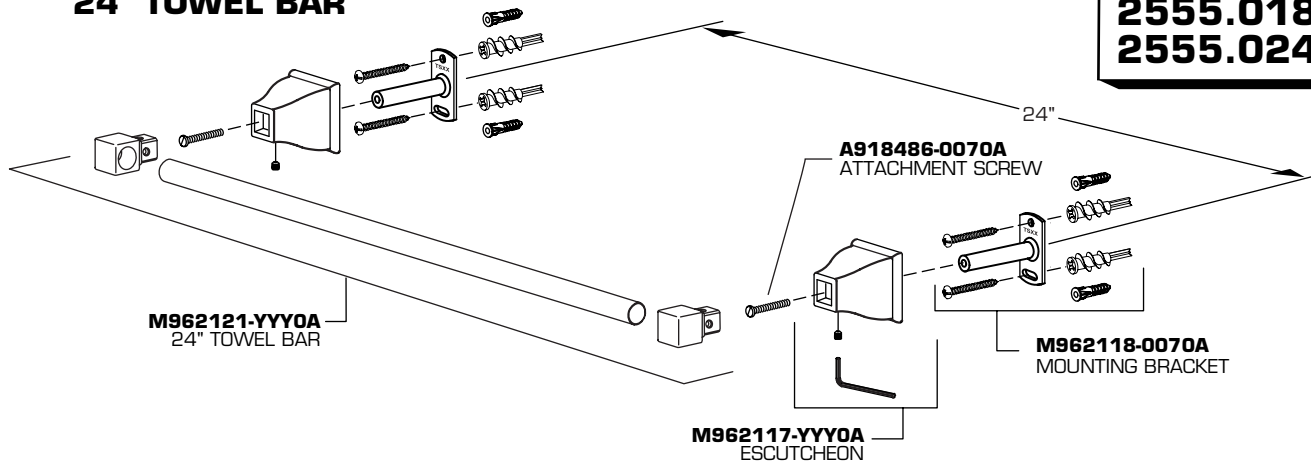
## TOWNSQUARE ACCESSORIES

18" TOWEL BAR  
24" TOWEL BAR

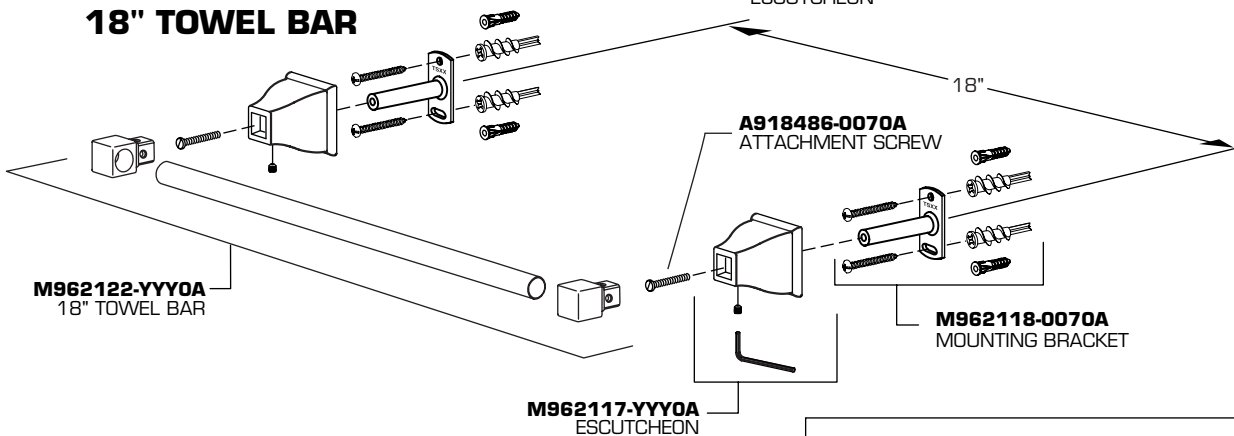
MODEL NUMBERS

**2555.018**  
**2555.024**

### 24" TOWEL BAR



### 18" TOWEL BAR



Replace the "YYY" with appropriate finish code

CHROME	002
POLISHED BRASS (PVD)	099
SATIN (PVD)	295



HOT LINE FOR HELP  
For toll-free information and answers to your questions, call:  
1-800-442-1902  
Weekdays 8:00 a.m. to 8:00 p.m. EST  
IN CANADA 1-800-387-0369 (TORONTO 1-905-306-1093)  
Weekdays 8:00 a.m. to 7:00 p.m. EST

Product names listed herein are trademarks of American Standard Inc.  
© American Standard Inc. 2002

M968232C

*American Standard*

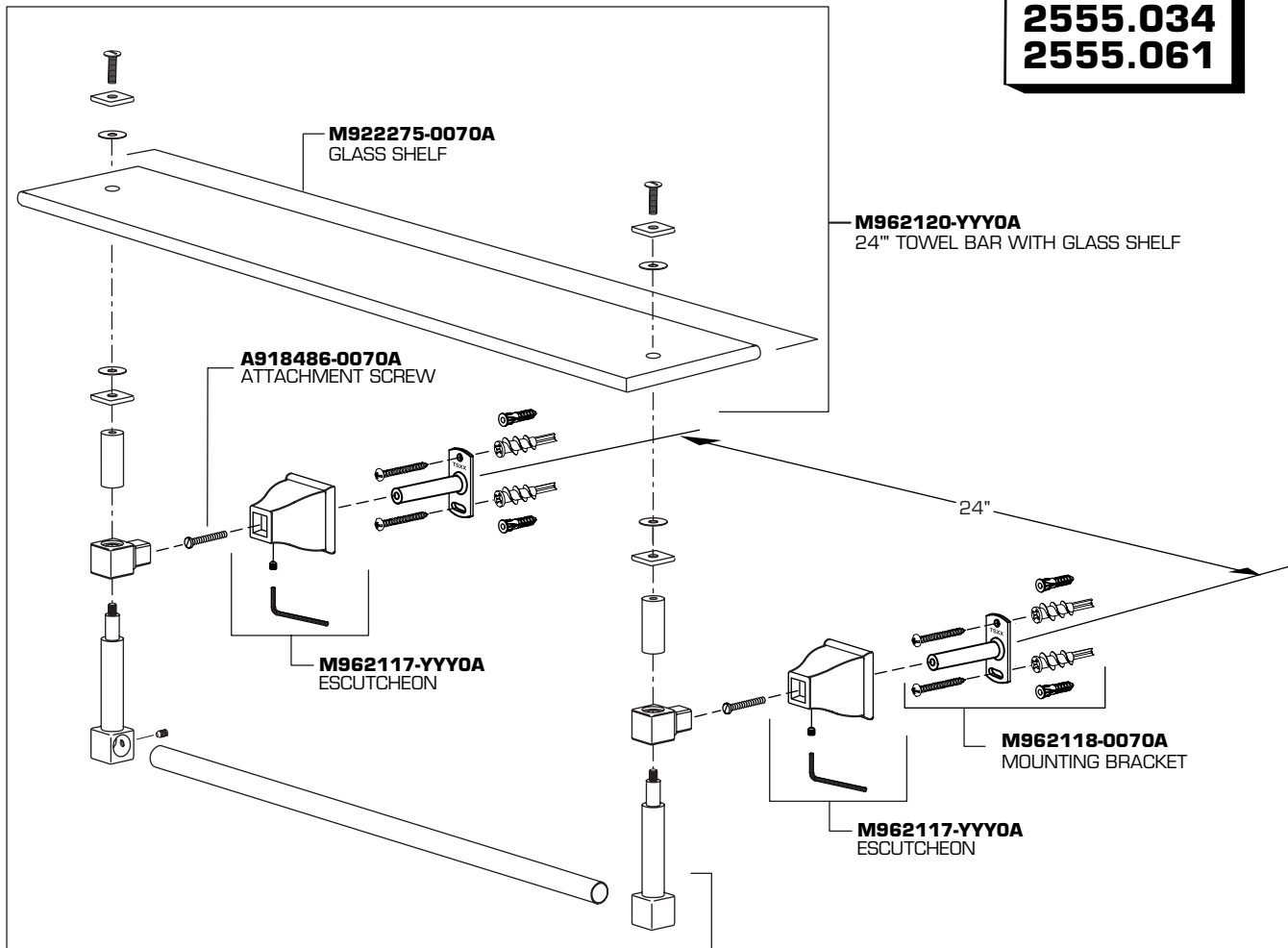
**TOWNSQUARE**

**ACCESSORIES**  
**24" TOWEL BAR W/ GLASS SHELF**  
**TOILET TISSUE HOLDER**

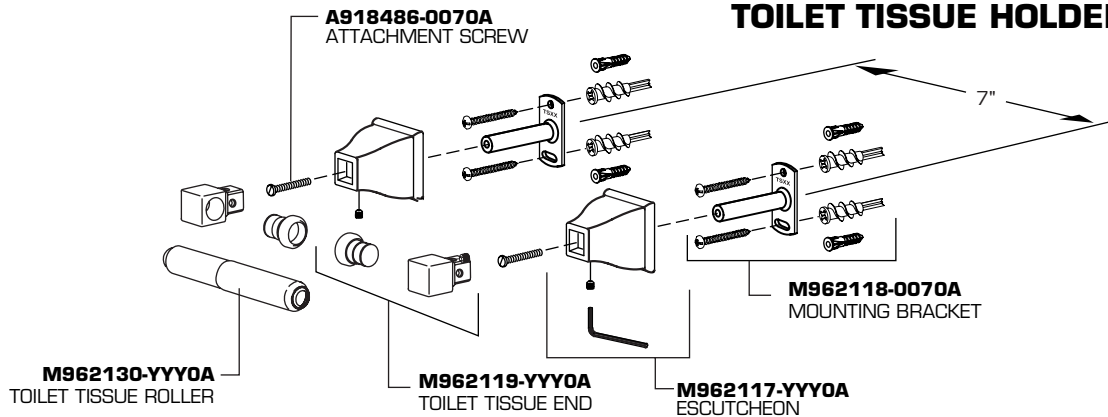
**24" TOWEL BAR W/GLASS SHELF**

**MODEL NUMBERS**

**2555.034**  
**2555.061**



**TOILET TISSUE HOLDER**



Replace the "YYY" with appropriate finish code

CHROME	002
POLISHED BRASS	099
SATIN	295



**HOT LINE FOR HELP**  
 For toll-free information and answers to your questions, call:  
 1-800-442-1902  
 Weekdays 8:00 a.m. to 8:00 p.m. EST  
 IN CANADA 1-800-387-0369 (TORONTO 1-905-306-1093)  
 Weekdays 8:00 a.m. to 7:00 p.m. EST

Product names listed herein are trademarks of American Standard Inc.  
 © American Standard Inc. 2002

M968232C