

# American Standard

## SWAN

IN WALL PRESSURE BALANCING  
BATH AND SHOWER SETS

## Installation Instructions

### 6011 6012

Thank you for selecting American-Standard...the benchmark of fine quality for over 100 years.

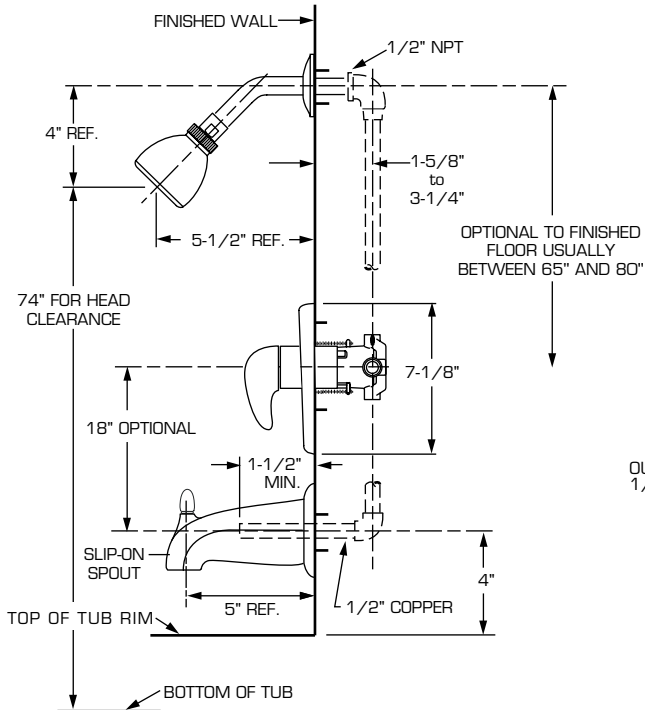
To ensure that your installation proceeds smoothly—please read these instructions carefully before you begin.



Certified to comply with ANSI A112.18.1  
M968462S-O

### ROUGHING-IN DIMENSIONS

- To assure proper positioning in relation to wall, note roughing-in dimensions.



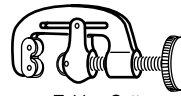
### Required Tools



Phillips Screwdriver



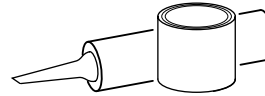
Flat Blade Screwdriver



Tubing Cutter



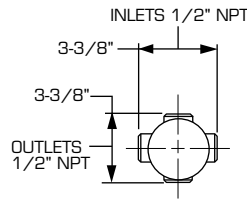
Adjustable Wrench



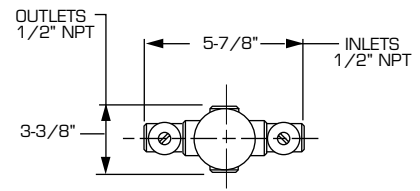
Plumbers' Putty or Caulking



Channel Locks



THREADED INLETS



THREADED INLETS (STOPS)

# 1

### ROUGHING-IN

### CAUTION

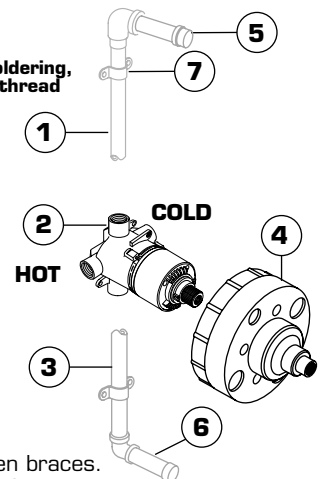
Turn off water at main supply.

**NOTE** When soldering, remove **PLASTER GUARD**, **CARTRIDGES** and **CHECK STOPS (IF PRESENT)**. When finished soldering, flush valve body, replace cartridges, check stops (if present) and plaster guard to continue installation. Use thread sealant or Teflon tape on threaded connections.

- See Roughing-in diagram before starting.
- Connections are:
  - 1/2" female NPT for threaded inlets
- Connect RISER PIPE (1) to MANIFOLD (2) top outlet marked "SHR".
- Connect TUB FILLER PIPE (3) at bottom outlet marked "TUB".
- For proper positioning the finished wall must be within side wall of PLASTER GUARD (4).

- If the valve is installed on a fiberglass or other thin wall application, the PLASTER GUARD (4) can be used as a support.
  - Cut a 4" dia. hole in the shower stall.
  - Drill two additional 1" holes to allow access to the stops.
  - Remove PLASTER GUARD (4), rotate 90° so that indicated screw holes fit MANIFOLD (2).
  - Push CAP on valve, place ESCUTCHEON on and attach with screws.

- Connect hot and cold water supplies.
- Cap off shower pipe (5) and tub filler pipe (6).
- For support, use pipe BRACES (7) secured to wooden braces.
- With valve turned off, turn on water supplies. Check for leaks.

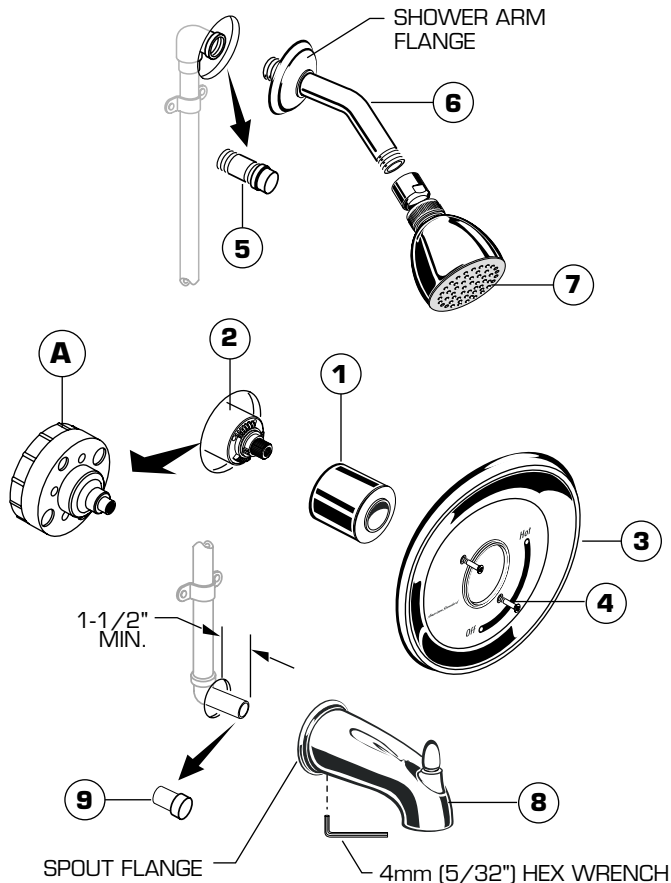


## 2

### INSTALL TRIM

**CAUTION: Protect finish on SHOWER ARM, SHOWER HEAD and TUB SPOUT when installing.**

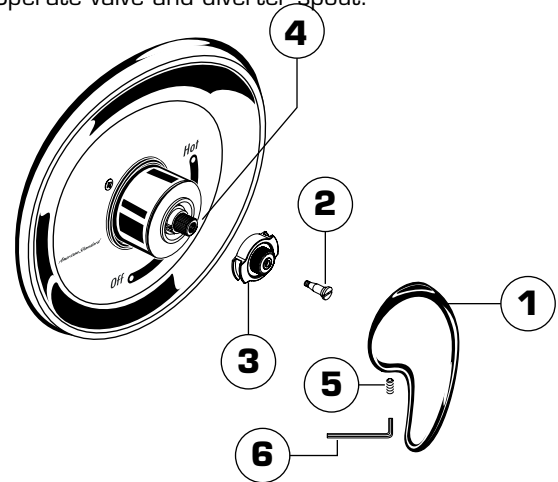
- When finished tiling the wall, remove PLASTER GUARD (A) and turn off water supply.
- Push CAP (1) over VALVE CARTRIDGE (2).
- Mount ESCUTCHEON (3) and gasket to valve body with SCREWS (4).
- Remove PIPE CAP (5) from shower pipe. Use sealant on both ends of SHOWER ARM (6) and thread long end into shower elbow. Thread SHOWER HEAD (7) to SHOWER ARM (6).
- Remove PIPE CAP (9). Use tubing cutter to cut tub filler pipe a minimum of 1-1/2" from finished wall. Install SLIP-ON SPOUT (8) with flange flush against finished wall and tighten with a 4mm (5/32") hex wrench.



## 3

### INSTALL HANDLE

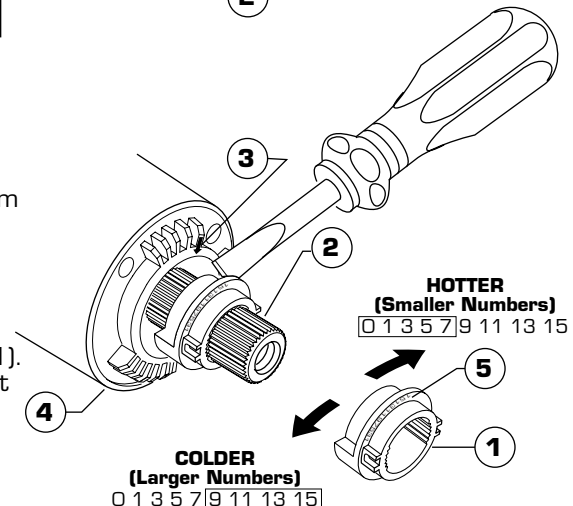
- Push ADAPTER (3) onto VALVE STEM (4).
- Install SCREW (2) through ADAPTER (3) into VALVE STEM (4).
- Find correct position of HANDLE (1) and push HANDLE (1) onto ADAPTER (3).
- Install SET SCREW (5) with (2.5mm) HEX WRENCH (6) provided.
- Check proper operation of HANDLE (1).
- Turn on water supply and test installed fitting. Operate valve and diverter spout.



## 4

### ADJUST HOT LIMIT STOP

- By restricting HANDLE rotation and limiting the amount of hot water allowed to mix with the cold, the HOT LIMIT SAFETY STOP (1) reduces risk of accidental scalding. To set the maximum hot water temperature of your faucet, all you need to do is adjust the setting on the HOT LIMIT SAFETY STOP (1).
- Turn CARTRIDGE STEM (2) to the OFF position (coldest setting) before making adjustment to HOT LIMIT STOP (1). Use a flat blade screwdriver to pry free the HOT LIMIT SAFETY STOP (1). Pull forward and rotate counterclockwise one number to limit hot water temperature. Use ARROW (3) on CARTRIDGE (4) and NUMBERS (5) on HOT LIMIT STOP (1) for indication.



## 5 TO GAIN ACCESS TO VALVE FOR SERVICING

- Remove handle SET SCREW, remove HANDLE, unscrew HANDLE SCREW and remove ADAPTER.
- Remove two SCREWS holding ESCUTCHEON and remove ESCUTCHEON.
- Remove COVER by pulling straight out.
- Shut off water supply by either closing off main water supply, or closing off the hot and cold CHECK STOPS on valve.

### VALVE LEAKS WHEN SHUT OFF

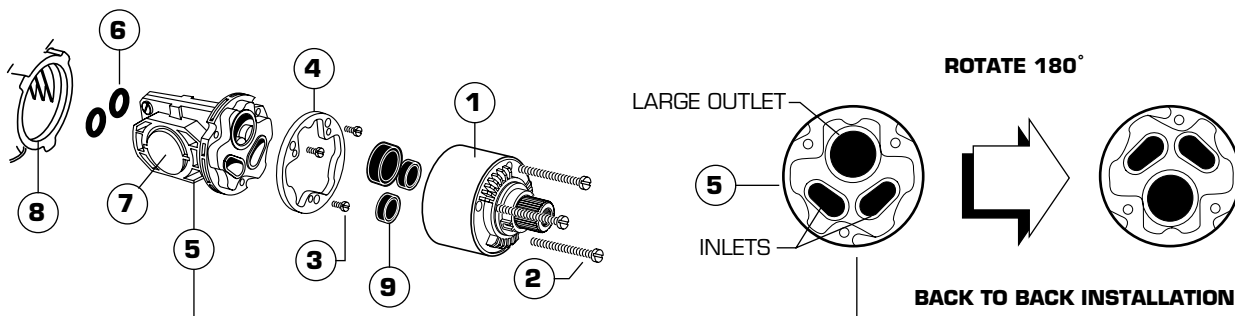
- Remove CARTRIDGE (1) by removing CARTRIDGE SCREWS (2). Remove three SCREWS (3) from FIXATION RING (4) and pull out PRESSURE BALANCING (5) unit.
- Clean SEALS (9) on base of CARTRIDGE (1). Check base of PRESSURE BALANCING UNIT (5) and clean O-RINGS (6). Remove CAPS (7) and check O-RINGS on inside of CAPS (7). Clean inside sealing surfaces of VALVE BODY (8).
- Re-assemble PRESSURE BALANCING UNIT (5) and CARTRIDGE (1). Tighten all screws.
- Turn on water supply and see above for installing TRIM and HANDLE.

### UNABLE TO MAINTAIN CONSTANT TEMPERATURE

- Remove PRESSURE BALANCE UNIT (5).
- Remove CAPS (7) and clean valve thoroughly.
- Examine balancing unit and check condition of O-ring on end of piston. Piston should move back and forth. Order Repair Part M952100-0070A if balancing unit is defective.
- Replace CAPS (7) and install PRESSURE BALANCE UNIT (5). Make sure inlets line up with two holes in bottom of casting. Top flange should butt-up against top of casting.

### BACK TO BACK INSTALLATION

- Remove PRESSURE BALANCE UNIT (5). Rotate PRESSURE BALANCE UNIT (5) 180° so that the inlets face up and the large outlet port faces down.
- Push PRESSURE BALANCE UNIT (5) in casting make sure inlets line up with holes in bottom of casting. Top flange should butt up against top of casting.
- Reassemble FIXATION RING (4) and CARTRIDGE (1).



## 6 CARE INSTRUCTIONS:

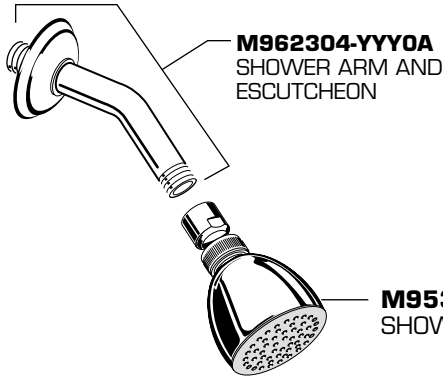
**DO: SIMPLY RINSE THE PRODUCT CLEAN WITH CLEAR WATER. DRY WITH A SOFT COTTON FLANNEL CLOTH.**  
**DO NOT: CLEAN THE PRODUCT WITH SOAPS, ACID, POLISH, ABRASIVES, HARSH CLEANERS, OR A CLOTH WITH A COARSE SURFACE.**

# American Standard

## SWAN PRESSURE BALANCING BATH AND SHOWER SETS

MODEL NUMBER

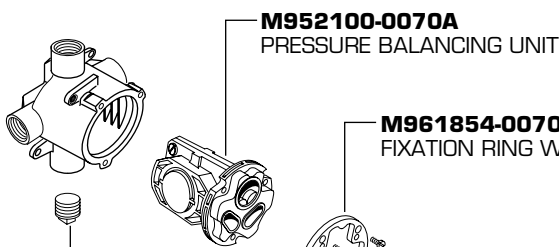
**6011**  
**6012**



**M953530-YYY0A**  
SHOWER HEAD

Replace the "YYY" with  
appropriate finish code

CHROME	002
SATIN	295



**M961854-0070A**  
FIXATION RING WITH SCREWS

**A923611-0070A**  
HOT LIMIT STOP

**027816-0070A**  
1/2" NPT PLUG

**M907053-YYY0A**  
CARTRIDGE CAP

**A954440-0070A**  
CARTRIDGE

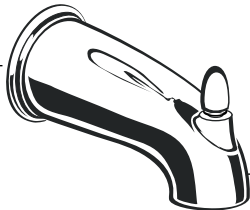
**078016-YYY0A**  
ESCUTCHEON SCREWS

**023603-0070A**  
CARTRIDGE SCREWS

**M962305-YYY0A**  
ESCUTCHEON KIT  
WITH SCREWS

**A918657-0070A**  
ADAPTER SCREW

**M909732-YYY0A**  
SPOUT ESCUTCHEON



**M918455-0070A**  
ADAPTER



HOT LINE FOR HELP  
For toll-free information and answers to your questions, call:  
1 (800) 442-1902  
Weekdays 8:00 a.m. to 8:00 p.m. EST  
IN CANADA 1-800-387-0369 (TORONTO 1-905-306-1093)  
Weekdays 8:00 a.m. to 7:00 p.m. EST  
IN MEXICO 01-800-839-1200

Product names listed herein are trademarks of American Standard Inc.  
© American Standard Inc. 2004

M968462S-O