

American Standard

Installation Instructions

ARIANA

IN WALL PRESSURE BALANCING
BATH AND SHOWER SETS

6021
6022

Thank you for selecting American-Standard...the benchmark of fine quality for over 100 years.

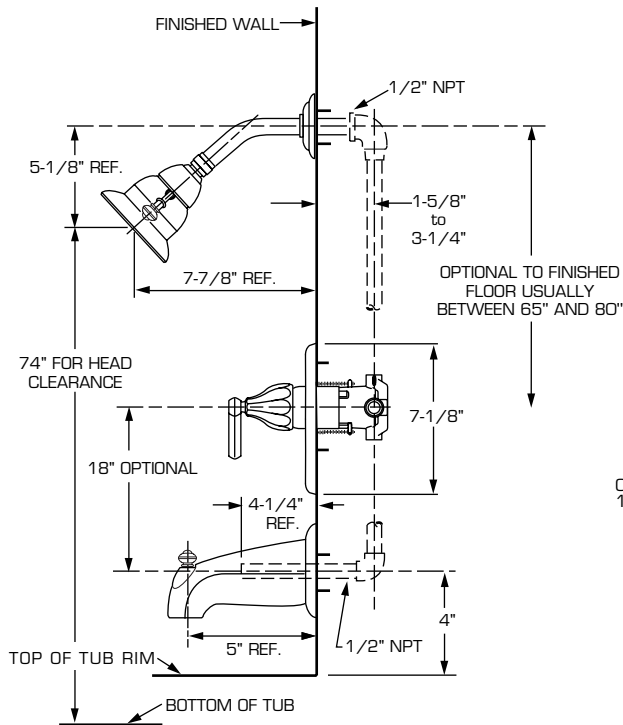
To ensure that your installation proceeds smoothly—please read these instructions carefully before you begin.



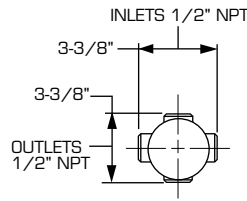
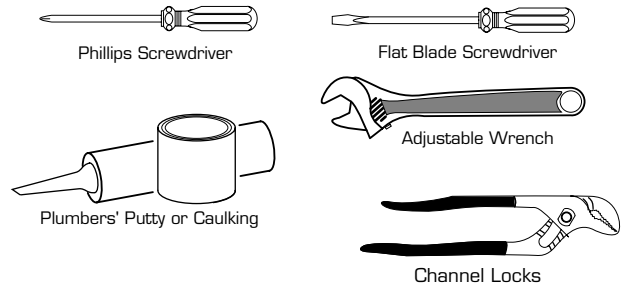
Certified to comply with ANSI A112.18.1
M968457B

ROUGHING-IN DIMENSIONS

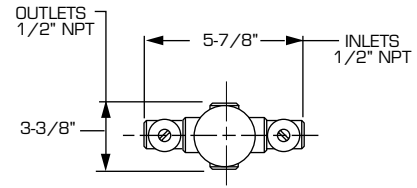
- To assure proper positioning in relation to wall, note roughing-in dimensions.



Required Tools



THREADED INLETS



THREADED INLETS (STOPS)

1

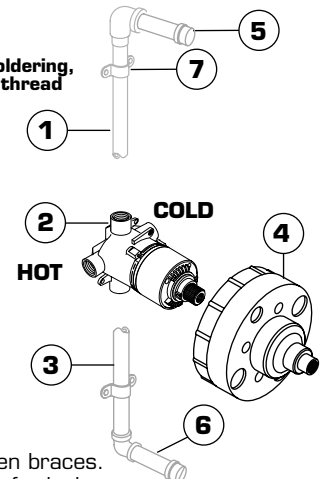
ROUGHING-IN

CAUTION

Turn off water at main supply.

NOTE When soldering, remove **PLASTER GUARD**, **CARTRIDGES** and **CHECK STOPS (IF PRESENT)**. When finished soldering, flush valve body, replace cartridges, check stops (if present) and plaster guard to continue installation. Use thread sealant or Teflon tape on threaded connections.

- See Roughing-in diagram before starting.
- Connections are:
 - 1/2" female NPT for threaded inlets
 - Connect RISER PIPE (1) to MANIFOLD (2) top outlet marked "SHR".
 - Connect TUB FILLER PIPE (3) at bottom outlet marked "TUB".
 - For proper positioning the finished wall must be within side wall of PLASTER GUARD (4).
- If the valve is installed on a fiberglass or other thin wall application, the PLASTER GUARD (4) can be used as a support.
 - Cut a 3" dia. hole in the shower stall.
 - Drill two additional 1" holes to allow access to the stops.
 - Remove PLASTER GUARD (4), rotate 90° so that indicated screw holes fit MANIFOLD (2).
 - Push CAP on valve, place ESCUTCHEON on and attach with screws.
- Connect hot and cold water supplies.
- Cap off shower pipe (5) and tub filler pipe (6).
- For support, use pipe BRACES (7) secured to wooden braces.
- With valve turned off, turn on water supplies. Check for leaks.

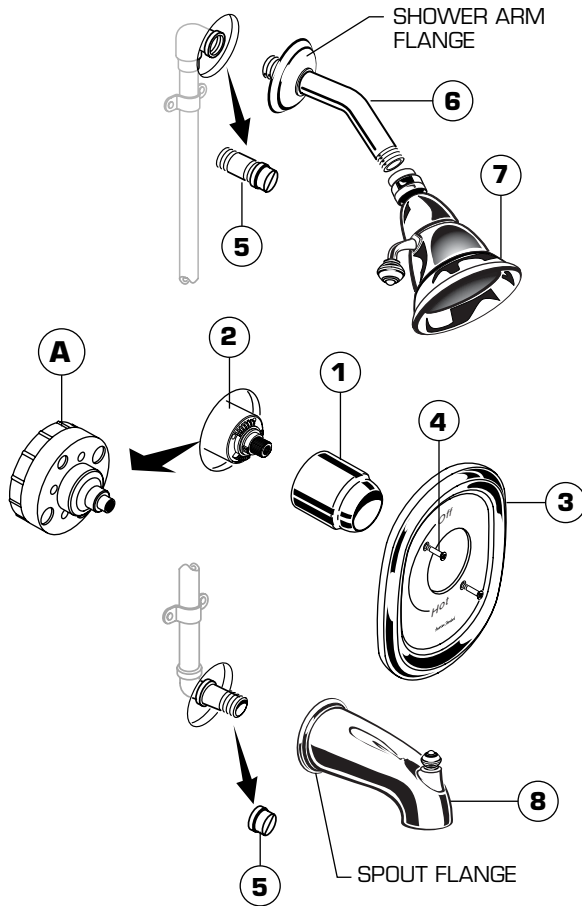


2

INSTALL TRIM

CAUTION: Protect finish on SHOWER ARM, SHOWER HEAD and TUB SPOUT when installing.

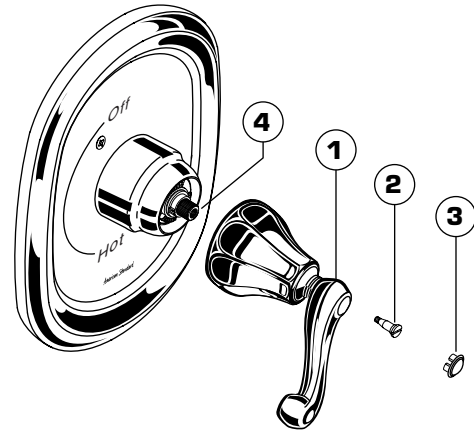
- When finished tiling the wall, remove PLASTER GUARD (A) and turn off water supply.
- Push CAP (1) over VALVE CARTRIDGE (2).
- Mount ESCUTCHEON (3) and gasket to valve body with SCREWS (4).
- Remove PIPE CAPS (5) from shower pipe and tub filler pipe.
- Install SHOWER ARM with FLANGE (6) and SHOWER HEAD (7).
- Install TUB FILLER SPOUT with FLANGE (8).



3

INSTALL HANDLE

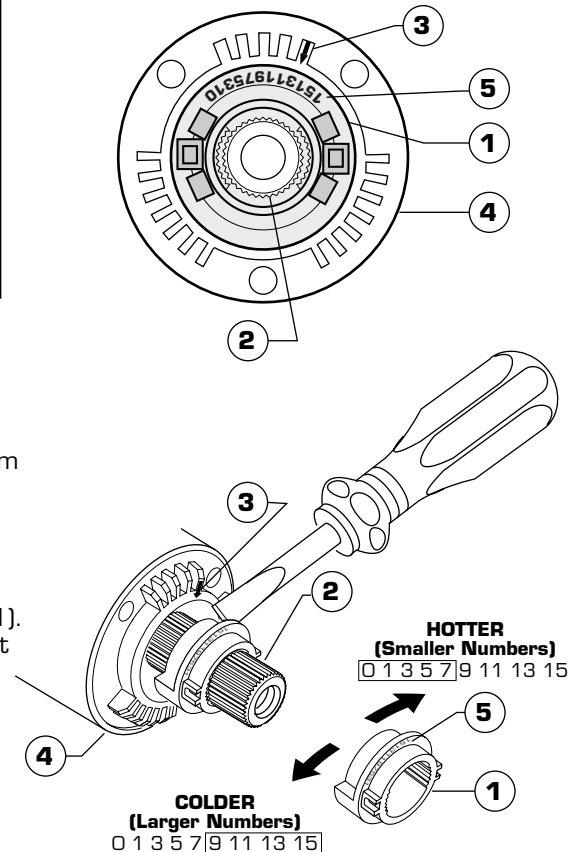
- Find correct position of HANDLE (1) and push HANDLE (1) onto VALVE STEM (4).
- Install HANDLE SCREW (2) and push in INDEX CAP (3).
- Check proper operation of HANDLE (1).
- Turn on water supply on and test installed fitting. Operate valve and diverter spout.



4

ADJUST HOT LIMIT STOP

- By restricting HANDLE rotation and limiting the amount of hot water allowed to mix with the cold, the HOT LIMIT SAFETY STOP (1) reduces risk of accidental scalding. To set the maximum hot water temperature of your faucet, all you need to do is adjust the setting on the HOT LIMIT SAFETY STOP (1).
- Turn CARTRIDGE STEM (2) to the OFF position (coldest setting) before making adjustment to HOT LIMIT SAFETY STOP (1). Use a flat blade screwdriver to pry free the HOT LIMIT SAFETY STOP (1). Pull forward and rotate counterclockwise one number to limit hot water temperature. Use ARROW (3) on CARTRIDGE (4) and NUMBERS (5) on HOT LIMIT STOP (1) for indication.



M968457B

5 TO GAIN ACCESS TO VALVE FOR SERVICING

- Pull INDEX CAP, unscrew HANDLE SCREW and pull HANDLE off valve stem.
- Remove two SCREWS holding ESCUTCHEON and remove ESCUTCHEON.
- Remove COVER by pulling straight out.
- Shut off water supply by either closing off main water supply, or closing off the hot and cold CHECK STOPS on valve.

VALVE LEAKS WHEN SHUT OFF

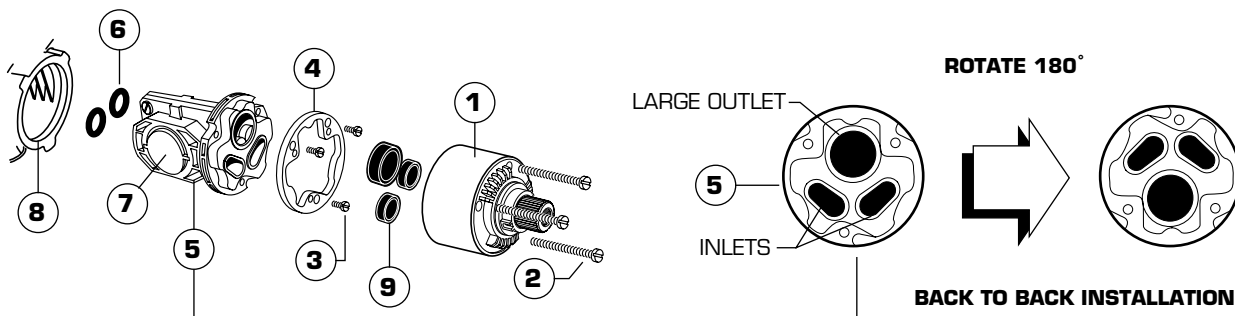
- Remove CARTRIDGE (1) by removing CARTRIDGE SCREWS (2). Remove three SCREWS (3) from FIXATION RING (4) and pull out PRESSURE BALANCING (5) unit.
- Clean SEALS (9) on base of CARTRIDGE (1). Check base of PRESSURE BALANCING UNIT (5) and clean O-RINGS (6). Remove CAPS (7) and check O-RINGS on inside of CAPS (7). Clean inside sealing surfaces of VALVE BODY (8).
- Re-assemble PRESSURE BALANCING UNIT (5) and CARTRIDGE (1). Tighten all screws.
- Turn on water supply and see above for installing TRIM and HANDLE.

UNABLE TO MAINTAIN CONSTANT TEMPERATURE

- Remove PRESSURE BALANCE UNIT (5).
- Remove CAPS (7) and clean valve thoroughly.
- Examine balancing unit and check condition of O-ring on end of piston. Piston should move back and forth. Order Repair Part M952100-0070A if balancing unit is defective.
- Replace CAPS (7) and install PRESSURE BALANCE UNIT (5). Make sure inlets line up with two holes in bottom of casting. Top flange should butt-up against top of casting.

BACK TO BACK INSTALLATION

- Remove PRESSURE BALANCE UNIT (5). Rotate PRESSURE BALANCE UNIT (5) 180° so that the inlets face up and the large outlet port faces down.
- Push PRESSURE BALANCE UNIT (5) in casting make sure inlets line up with holes in bottom of casting. Top flange should butt up against top of casting.
- Reassemble FIXATION RING (4) and CARTRIDGE (1).



6 CARE INSTRUCTIONS:

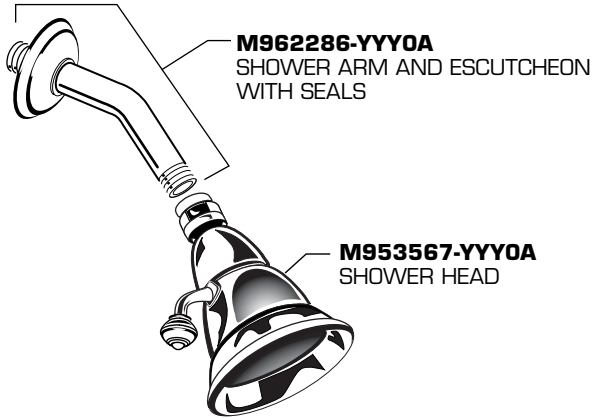
DO: SIMPLY RINSE THE PRODUCT CLEAN WITH CLEAR WATER. DRY WITH A SOFT COTTON FLANNEL CLOTH.
DO NOT: CLEAN THE PRODUCT WITH SOAPS, ACID, POLISH, ABRASIVES, HARSH CLEANERS, OR A CLOTH WITH A COARSE SURFACE.

American Standard

ARIANA PRESSURE BALANCING BATH AND SHOWER SETS

MODEL NUMBER

6021
6022

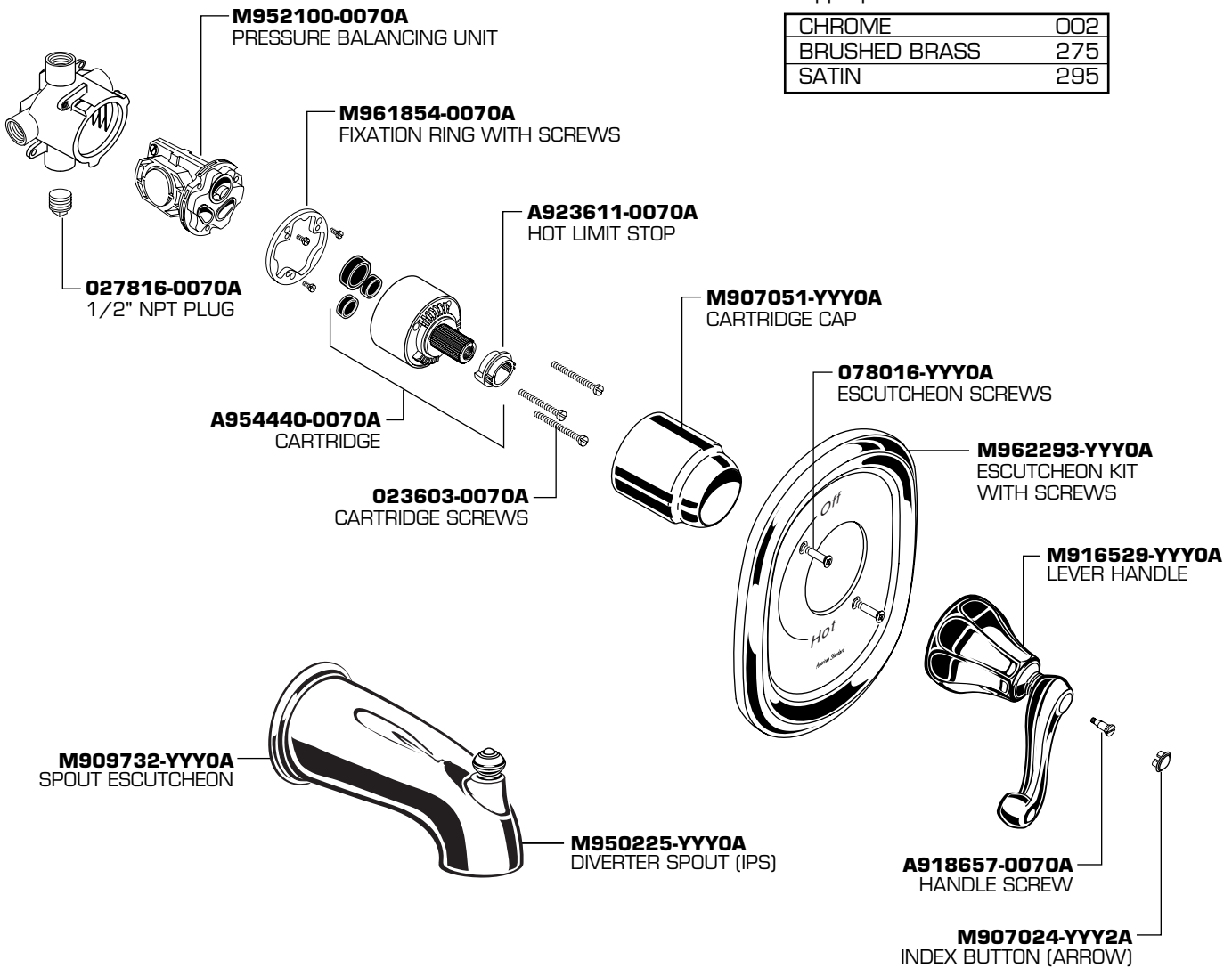


M962286-YYY0A
SHOWER ARM AND ESCUTCHEON
WITH SEALS

M953567-YYY0A
SHOWER HEAD

Replace the "YYY" with
appropriate finish code

CHROME	002
BRUSHED BRASS	275
SATIN	295



M952100-0070A
PRESSURE BALANCING UNIT

M961854-0070A
FIXATION RING WITH SCREWS

A923611-0070A
HOT LIMIT STOP

027816-0070A
1/2" NPT PLUG

M907051-YYY0A
CARTRIDGE CAP

078016-YYY0A
ESCUTCHEON SCREWS

A954440-0070A
CARTRIDGE

M962293-YYY0A
ESCUTCHEON KIT
WITH SCREWS

023603-0070A
CARTRIDGE SCREWS

M916529-YYY0A
LEVER HANDLE

M909732-YYY0A
SPOUT ESCUTCHEON

M950225-YYY0A
DIVERter SPOUT (IPS)

A918657-0070A
HANDLE SCREW

M907024-YYY2A
INDEX BUTTON (ARROW)



HOT LINE FOR HELP
For toll-free information and answers to your questions, call:
1 (800) 442-1902
Weekdays 8:00 a.m. to 8:00 p.m. EST
IN CANADA 1-800-387-0369 (TORONTO 1-905-306-1093)
Weekdays 8:00 a.m. to 7:00 p.m. EST

Product names listed herein are trademarks of American Standard Inc.
© American Standard Inc. 2004