

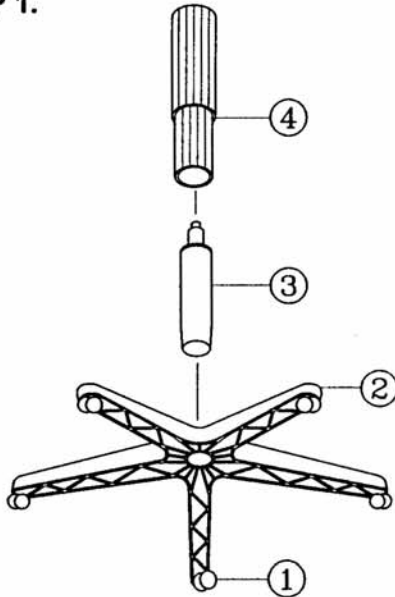


Assembly Instructions for "COMFORT" Classic Chair No. CH112

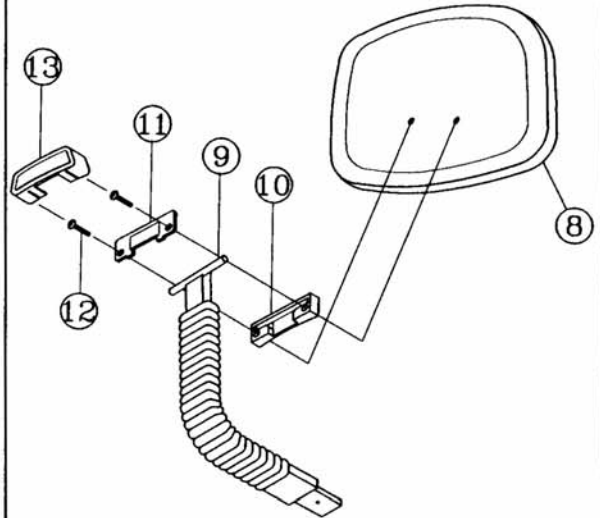
PARTS LIST

KEY	QTY	DESCRIPTION	KEY	QTY	DESCRIPTION	KEY	QTY	DESCRIPTION
1	5	CASTER	7	1	SEAT	12	2	BACKREST SCREW
2	1	BASE	8	1	BACKREST	13	1	PLASTIC COVER
3	1	SEAT POST	9	1	BACKREST POST +	14	1	BACKREST DEPTH ADJ.
4	1	SEAT POST COVER			PLASTIC COVER			KNOB + WASHERS
5	1	MECHANISM	10	1	PLASTIC HOLDER			
6	6	MECHANISM SCREW	11	1	STEEL PLATE			

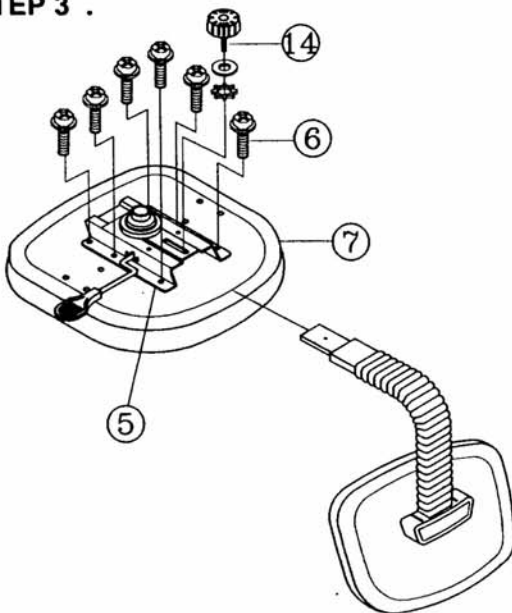
STEP 1.



STEP 2.



STEP 3 .



STEP 4.

