

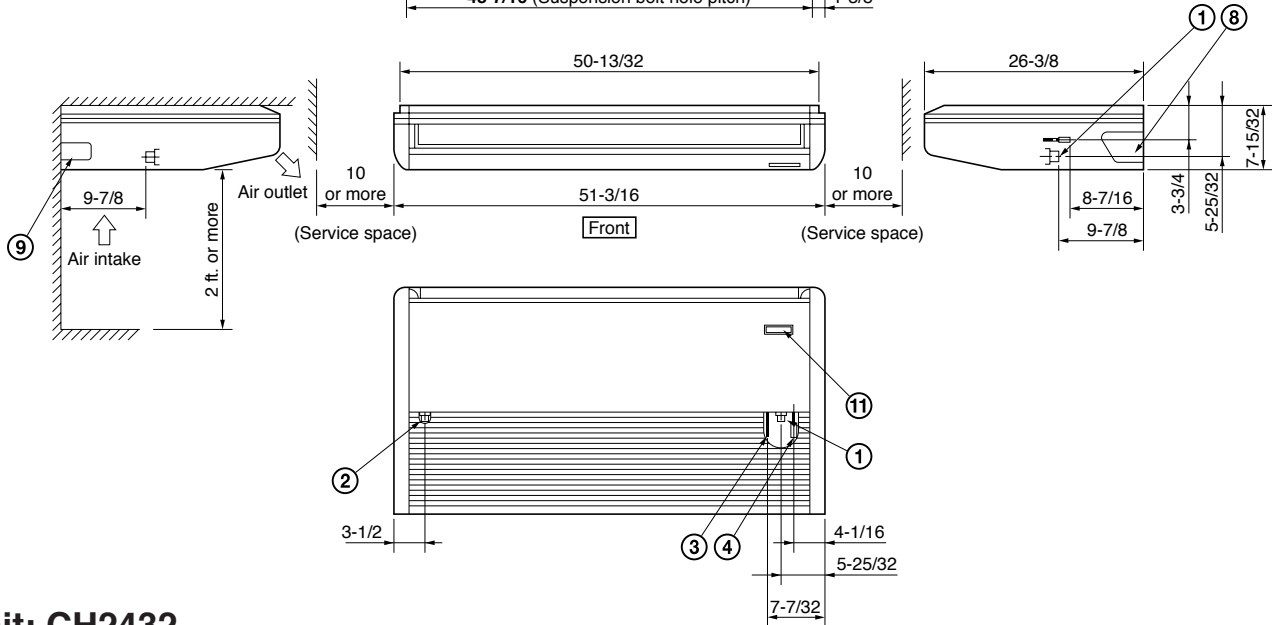
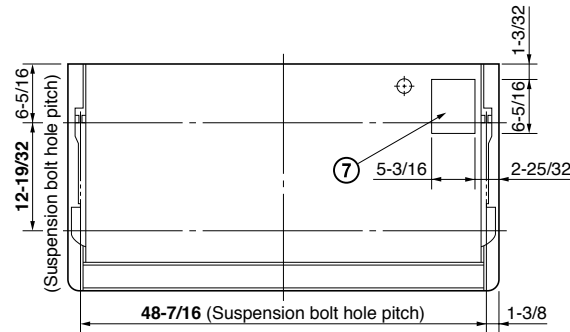
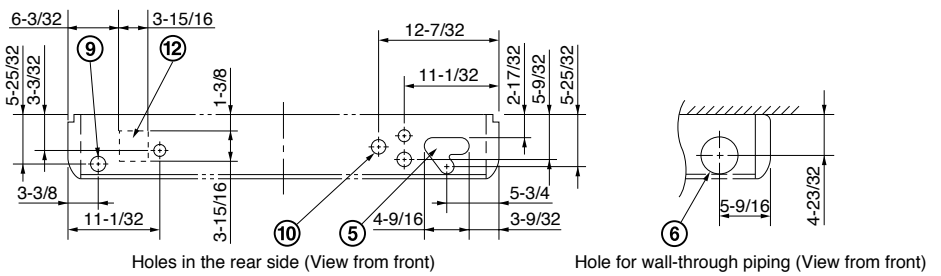
Dimensional Data

Indoor Unit: THS2432

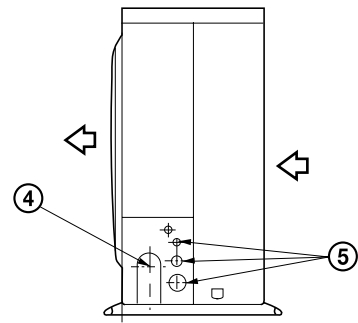
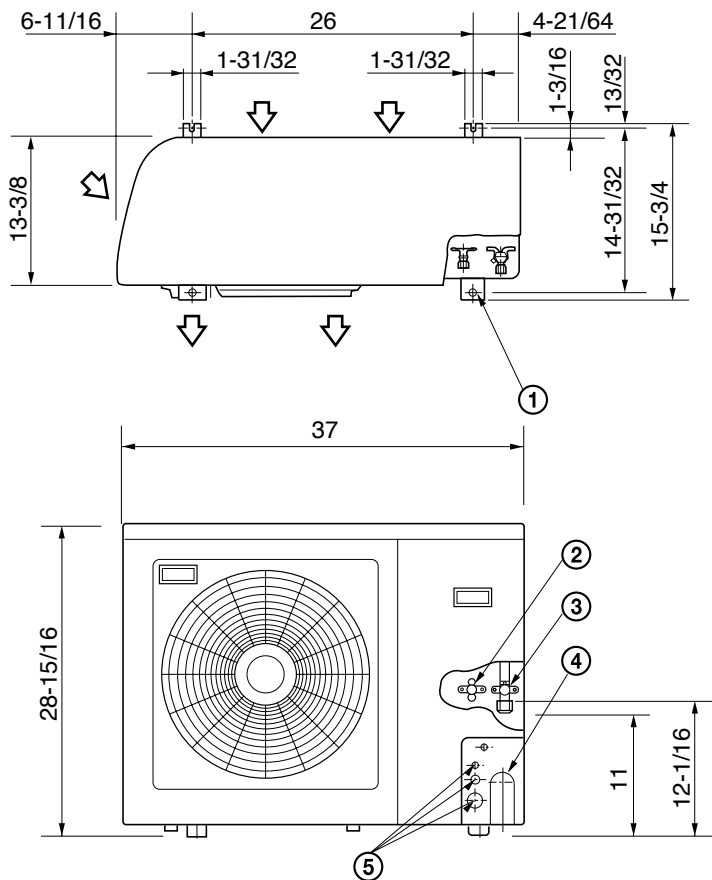
Dimension : inch

- ① Drain connection
- ② Drain connection for left side
- ③ Refrigerant liquid line (1/4") Flare connection
- ④ Refrigerant gas line (3/4") Flare connection
- ⑤ Hole for rear side refrigerant tubing
- ⑥ Hole for through-the-wall refrigerant tubing (ø3-15/16" hole)
- ⑦ Hole for fresh air intake (Knockout hole)
- ⑧ Hole for right side refrigerant tubing (Knockout hole)
- ⑨ Hole for left side drain connection (Knockout hole)
- ⑩ Hole for power supply (Conduit size 1/2")
- ⑪ Infrared rays receiver for wireless remote controller
- ⑫ Cutting position for fresh air intake

1919_THS_1



Outdoor Unit: CH2432



Dimension : inch

- ① Hole for anchor bolt (4-ø1/2)
- ② Refrigerant tube joint (narrow tube) Flare connection 1/4 in (6.35 mm)
- ③ Refrigerant tube joint (wide tube) Flare connection 3/4 in (19.05 mm)
- ④ Refrigerant tubing inlet
- ⑤ Power supply inlet

1131_THS_1

WARRANTY

SANYO products are warranted against defects in materials and workmanship for the period below;

	LABOR	PARTS
Compressor	30 Days	5 Years
Other Components	N/A	1 Year

Because of a policy of continuous product improvements, SANYO reserves the right to change specifications and design without notice.

Full specific warranty rights, conditions, exclusions and obligations are specified in the warranty packed with each products.

SANYO FISHER COMPANY

A Division of SANYO North America Corporation

21605 Plummer St. Chatsworth, CA 91311

Phone : (818) 998-7322

Fax : (818) 701-4160

Website: <http://www.sanyohvac.com>