

SM511 | Slim-Grip™ Universal Holder with Auto Sun Visor Mount



Package Contents:

- (1) SM505-2 Universal phone and portable device holder
- (1) CM011-2 - Sun visor mount

- Compatible with most smartphones, mobile phones, and cell phones having heights between 80mm and 115mm tall
- Apple iPhone - All models
- RIM BlackBerry - All non-flip models
- HTC Phones - All non-flip models
- Motorola Phones - All non-flip models
- Nokia Mobile Phones - All non-flip models
- Palm - All non-flip models
- LG Mobile Phones - All non-flip models
- Samsung - All non-flip models
- Sony Ericsson - All non-flip models
- Sanyo - All non-flip models
- Pantech - All non-flip models
- Google - All non-flip models

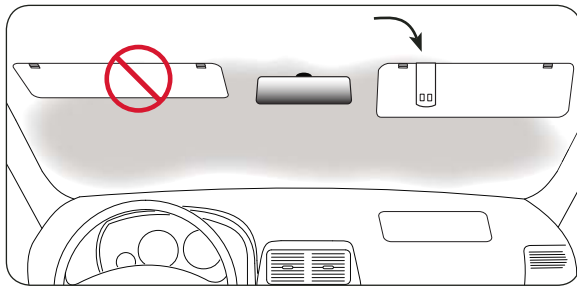
*All brand names and product names are trademarks or registered trademarks of their respective owners.

Sun Visor Mounting

⚠ Note: Arkon **strongly recommends** using the visor mount on the passenger side sun visor. Using this mount on the driver's side visor will reduce the driver's view of the road.

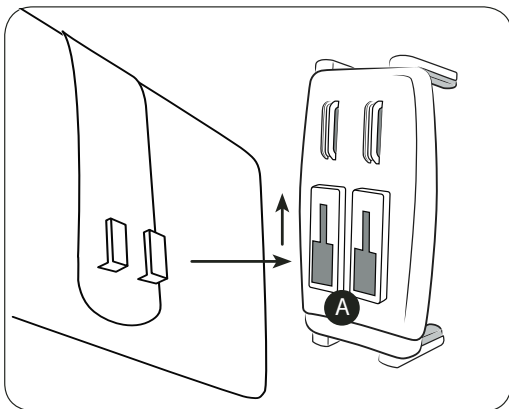
Do not place device car charger cords in or near an air bag deployment zone.

- Step 1. Lower the vehicle sun visor and place the clip mount over the top of the visor. Slide the mount left or right to adjust the location on the visor.



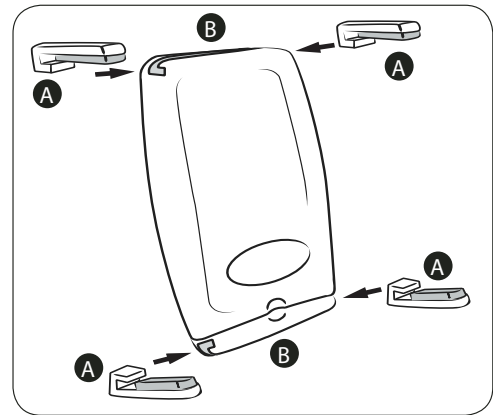
Connecting the Slim-Grip™ Holder to Dual T-Tab Mount

- Step 1. Connect the dual T-slots (A) on holder to the dual T-tabs (B) on the sun visor mount.



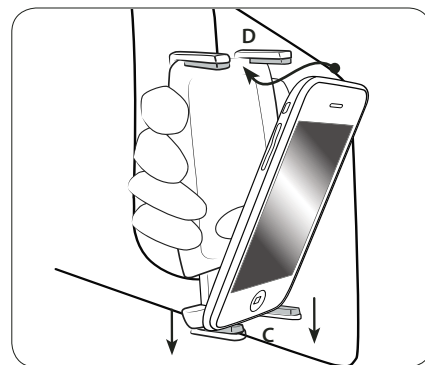
Install the Support Legs to the Holder

- Step 1. Insert the holder support legs (A) by sliding them into the support leg grooves (B) on the top and bottom of the holder.



Insert Phone into Holder

- Step 1. Secure holder with your hand for support, as spring-loaded mechanism requires significant force to operate. Hold your phone and insert into universal holder by pushing down on the bottom spring-loaded support legs with moderate amount of pressure (C). Slide the top of the device under the top support legs (D) until it fits snugly in the holder.



Continued on other side...

⚠ Safety Precautions
Do not install Arkon products over an air bag cover or within the air bag deployment zone. Arkon Resources, Inc. assumes no responsibility of liability for injury or death as a result of car crashes and/or air bag deployment.

Arkon is not responsible for any damages caused to your car, your device, or yourself due to the installation or use of this pedestal mount.

Consumer Hotline:
USA (800) 841-0884
INT'L (626) 254-9005
Monday - Friday 9 am - 5 pm, PST

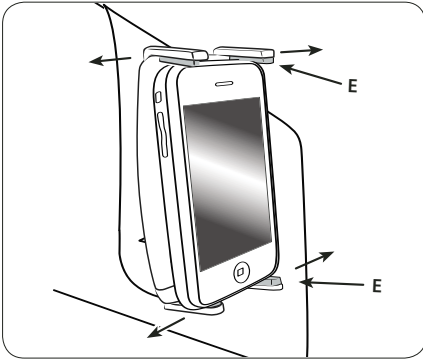
www.arkon.com
Arcadia, CA 91006 USA

(주) 케이앤씨텍
Representative in KOREA
www.knctek.com
TEL : (02) 839-5701
FAX : (02) 830-5703

Designed in USA | Made in China And Taiwan
© Copyright 2010 Arkon Resources, Inc.

SM511 | Slim-Grip™ Universal Holder with Auto Sun Visor Mount

Adjusting Holder to Fit Phone



- Step 1. If necessary, adjust the support legs (E) on top and bottom by sliding them laterally to avoid any buttons or ports that may be on your phone.



Safety Precautions

Do not install Arkon products over an air bag cover or within the air bag deployment zone. Arkon Resources, Inc. assumes no responsibility of liability for injury or death as a result of car crashes and / or air bag deployment.

Arkon is not responsible for any damages caused to your car, your device, or yourself due to the installation or use of this pedestal mount.

Consumer Hotline:

USA (800) 841-0884

INT'L (626) 254-9005

Monday - Friday 9 am - 5 pm, PST

www.arkon.com

Arcadia, CA 91006 USA

(주) 케이앤씨텍

Representative in KOREA

www.knctek.com

TEL : (02) 839-5701

FAX : (02) 830-5703

Designed in USA | Made in China And Taiwan
© Copyright 2010 Arkon Resources, Inc.