



PARTS LIST

BRUSHCUTTERS

BC3402FW
BC4302FW

NOTE :

1. Use KOMATSU ZENOAH genuine parts specified in the parts list for repair and/or replacement.
2. KOMATSU ZENOAH does not warrant the machines, those which have been damaged by the use of any parts other than those specified by the company.
3. When placing orders of parts for repair and/or replacement, check if the model name and the serial number are suitable to those specified in the parts list, then use parts number described in the parts list.
4. The contents described in the parts list may change due to improvement.
5. The parts for the machine shall be supplied within ten (10) years after the machine is discontinued.
[It is possible that some specific parts may be subject to change of their delivery term and list price within the limit of ten (10) years after the machine is discontinued. And it is also possible that some parts may be available even after the limit of ten (10) years.]

Fig.1 CUTTER GROUP

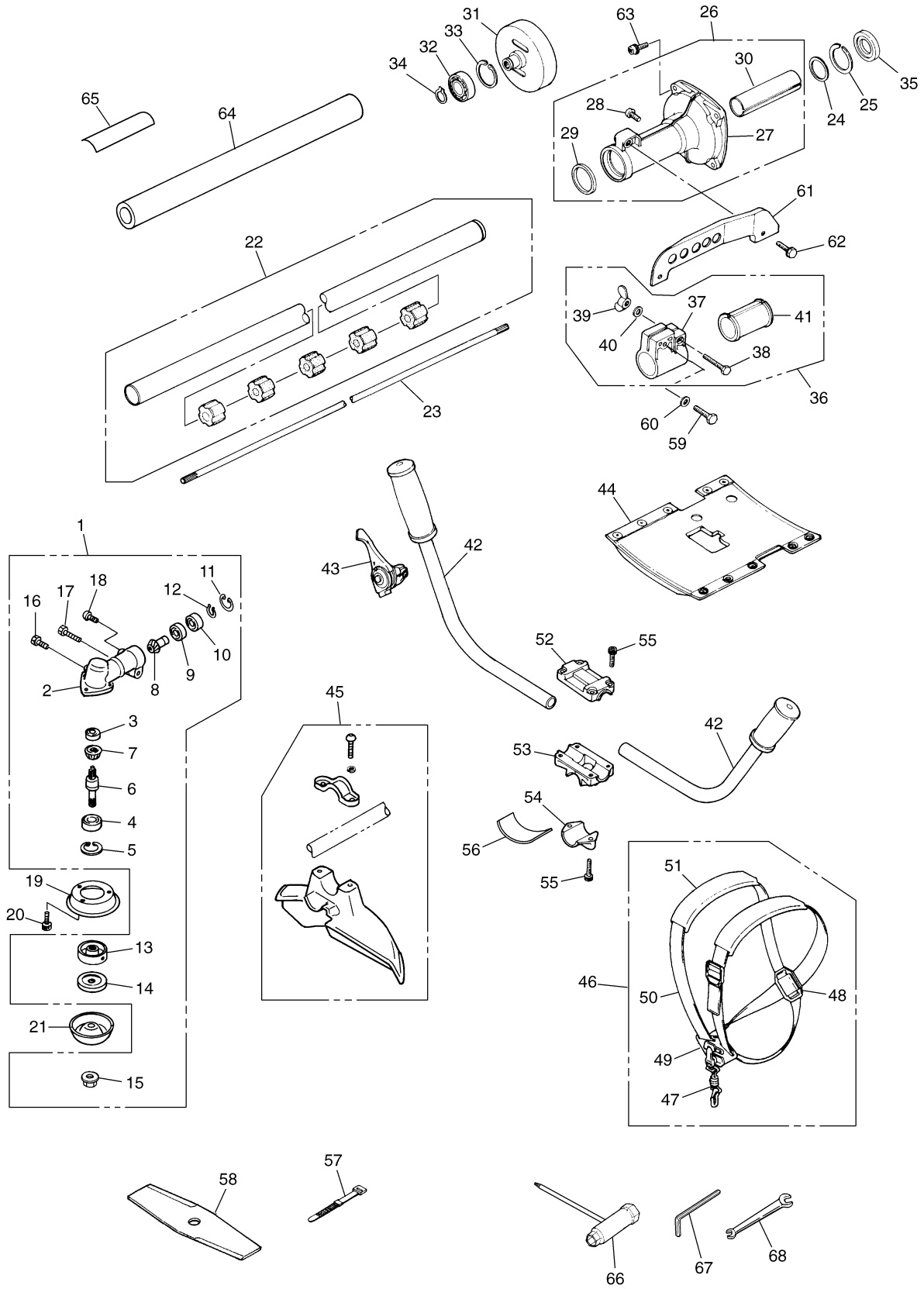


Fig.1 CUTTER GROUP

Key#	PART NUMBER	DESCRIPTION	Q'TY /UNIT	NOTE	Key#	PART NUMBER	DESCRIPTION	Q'TY /UNIT	NOTE
1	6129-13001	GEARCASE ASS'Y	1		46	6565-17201	HARNES ASS'Y	1	
2	6129-13110	• GEARCASE	1		47	6565-17210	• HOOK	1	
3	6129-13120	• BEARING	1		48	6565-17220	• PLATE	1	
4	06004-06201	• BEARING	1		49	6565-95230	• HANGER COMP.	1	
5	04065-03212	• SNAPRING	1		50	6565-17200-01	• BAND	1	
6	6129-13210	• SHAFT, gear	1		51	6565-17200-02	PROTECTOR	2	
7	6129-13220	• GEAR	1		52	TIX015-00-000	CAP(U)	1	
8	6129-13310	• PINION	1		53	TIX016-00-010	BRACKET	1	
9	06000-06000	• BEARING	1		54	TIX017-00-010	CAP(L)	1	
10	06001-06000	• BEARING	1		55	TIX144-00-000	BOLT	6	M5x25
11	04065-02612	• SNAPRING	1		56	TIX043-00-000	RUBBER SLEEVE	1	
12	3180-13340	• SNAPRING	1		57	TIX060-00-000	BAND	2	
13	6129-13240	• HOLDER(A)	1		58	6129-92310	SAW	1	
14	6129-13250	• HOLDER(B)	1		59	0224-00625	BOLT	2	M6x30
15	T3002-13260	• NUT	1		60	01642-20608	WASHER	1	
16	6129-13350	• BOLT	1		61	3549-11420	HANGER	1	
17	0224-00625	• BOLT	1		62	0225-10616	BOLT	1	
18	0260-00512	• SCREW	1		63	6468-91150	BOLT	4	M6x20
19	6129-13910	COVER	1		64	3523-17112	PROTECTOR	1	
20	01252-30510	BOLT	1		65	T3206-12511	LABEL	1	
21	3520-13284	COVER	1		66	SQM034-00-000	SOCKET	1	
22	T3206-12100	PIPE ASS'Y	1		67	09007-00528	WRENCH	1	5mm
23	3540-12212	SHAFT	1		68	3540-91120	SPANNER	1	
24	3263-11420	PLATE	1						
25	3263-11410	RING	1						
26	3541-11901	HOUSING COMP.	1						
27	3541-11191	• HOUSING	1						
28	0263-20610	• SCREW	1						
29	3541-11120	• SEAL	1						
30	3541-11130	• SPACER	1						
31	3540-11312	DRUM	1						
32	06004-06202	BEARING	1						
33	04065-03515	SNAPRING, bearing	1						
34	04064-01510	SNAPRING, drum	1						
35	3540-11410	SPACER	1						
36	3541-11441	BRACKET ASS'Y	1						
37	3541-11432	• BRACKET	1						
38	0224-00635	• BOLT	1						
39	3540-11460	• NUT	1						
40	01642-20608	• WASHER	1						
41	3541-11450	• SPACER	1						
42	TIX044-00-000	HANDLE COMP.	2						
43	TIX051-00-010	LEVER	1						
44	4050-17110	PROTECTOR	1						
45	TIX030-00-000	GUARD ASS'Y	1						

BC3402FW/BC4302FW

Fig.2 ENGINE GROUP

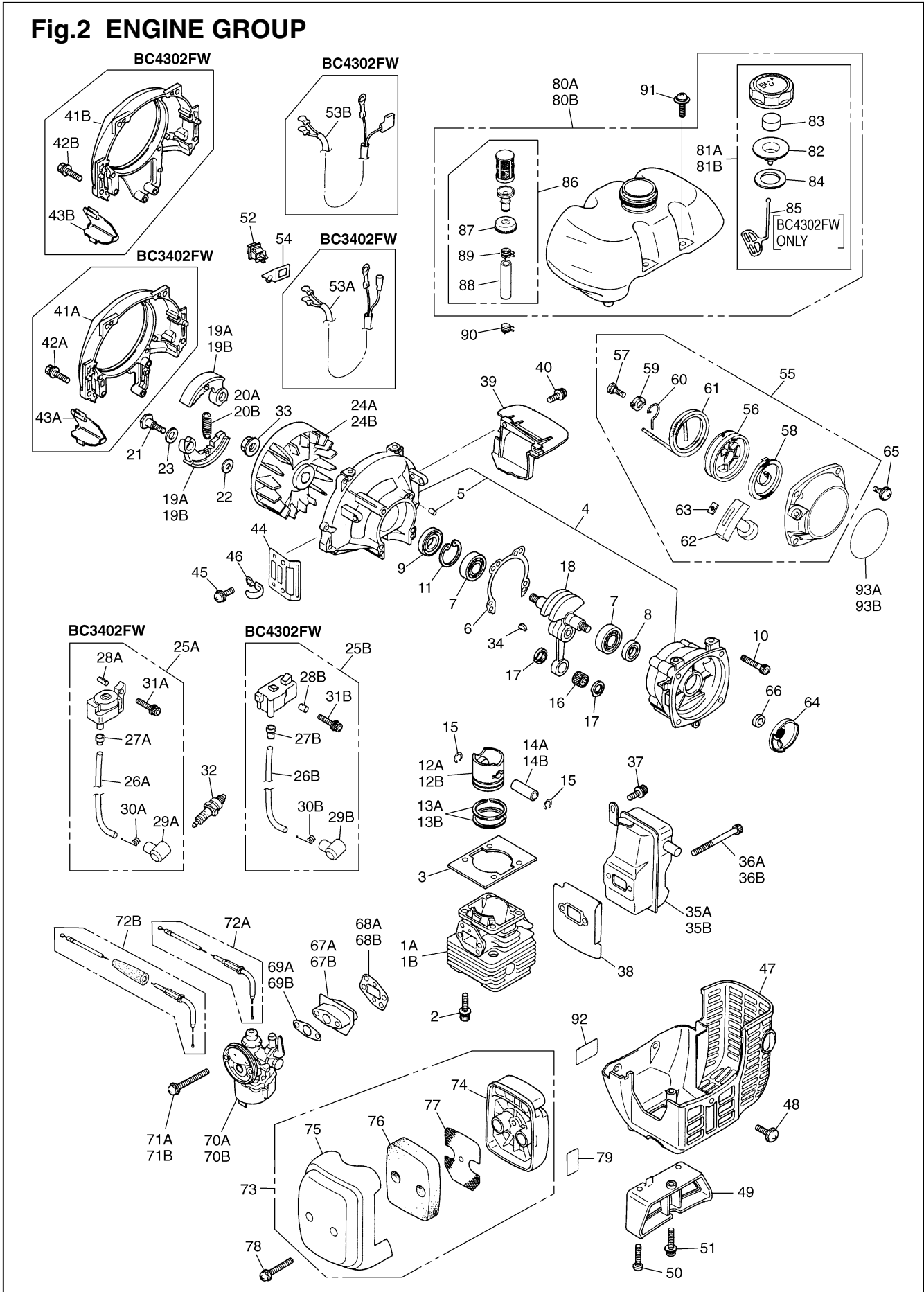
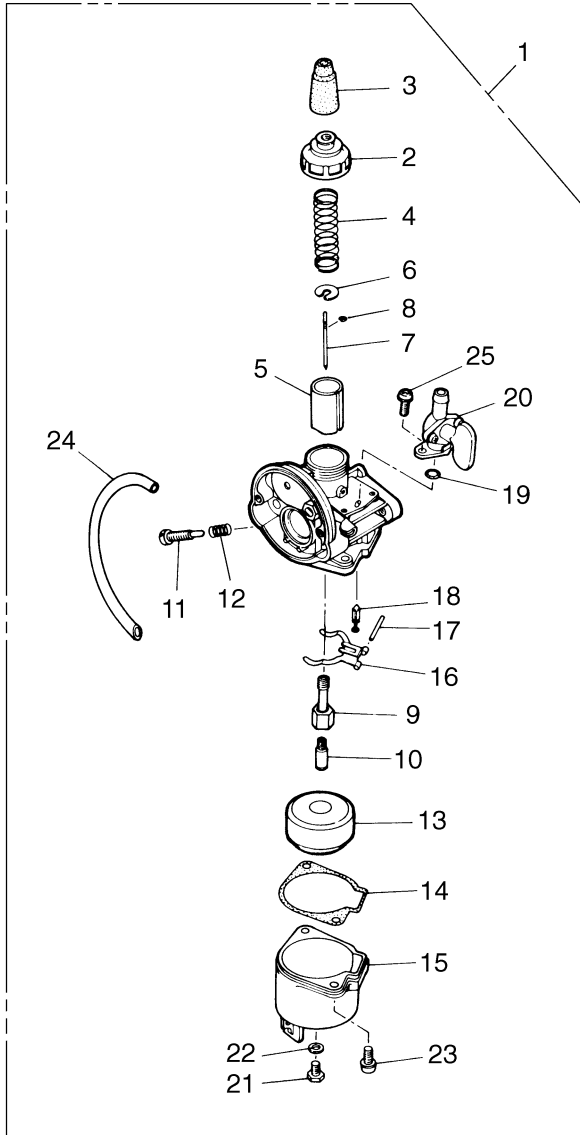


Fig.2 ENGINE GROUP

Key#	PART NUMBER	DESCRIPTION	Q'TY /UNIT	NOTE	Key#	PART NUMBER	DESCRIPTION	Q'TY /UNIT	NOTE
1A	4700-12111	CYLINDER	1	BC3402FW	44	4500-22110	GUARD	1	
1B	T1117-12110	CYLINDER	1	BC4302FW	45	0263-90514	SCREW	1	M5x14
2	1850-12130	BOLT	1		46	1140-72231	CLAMP	1	
3	4500-13120	GASKET, cylinder	1		47	4570-32110	COVER	1	
4	4500-21101	CRANKCASE COMP.	1		48	4500-32120	SCREW	3	M5x12
5	2629-21130	• PIN	3		49	4570-31900	STAND COMP.	1	
6	4500-21140	GASKET CASE			50	3356-32210	SCREW	2	
7	06030-06201	BEARING	2		51	0263-90520	SCREW	1	M5x20
8	4810-21210	OIL SEAL	1		52	4500-73211	SWITCH	1	
9	1650-21220	OIL SEAL	1		53A	4770-71240	CORD COMP.	1	BC3402FW
10	01252-30530	BOLT	4	M5x30	53B	T1117-71240	CORD COMP.	1	BC4302FW
11	04065-03212	SNAP RING	1		54	4570-72260	BRACKET	1	
12A	4700-41110	PISTON	1	BC3402FW	55	4500-75100	RECOIL ASS'Y	1	
12B	4500-41110	PISTON	1	BC4302FW	56	4500-75120	• REEL	1	
13A	1650-41210	RING	2	BC3402FW	57	4500-75150	• SCREW	1	
13B	1400-41220	RING	2	BC4302FW	58	1850-75130	• SPRING, spiral	1	
14A	1030-41310	PIN	1	BC3402FW	59	4500-75180	• COLLAR	1	
14B	2850-41310	PIN	1	BC4302FW	60	4500-75190	• SWING ARM	1	
15	1300-41320	RING	2		61	4500-75160	• ROPE	1	ø3.5xL880
16	T2100-41410	BEARING	1		62	1140-75320	• KNOB	1	
17	2850-41510	WASHER	2		63	5500-75170	• PLATE	1	
18	4500-42000	CRANKSHAFT COMP.	1		64	4500-75210	PULLEY	1	
19A	4700-51110	SHOE, clutch	2	BC3402FW	65	4500-75511	SCREW	4	M6x14
19B	4500-51111	SHOE, clutch	2	BC4302FW	66	4700-75310	COLLAR	1	
20A	1651-51220	SPRING	1	BC3402FW	67A	4750-13160	INSULATOR	1	BC3402FW
20B	4500-51220	SPRING	1	BC4302FW	67B	4550-13160	INSULATOR	1	BC4302FW
21	1200-51211	SCREW	2		68A	4700-13150	GASKET, insu	1	BC3402FW
22	1200-51230	WASHER	2		68B	4500-13150	GASKET, insu	1	BC4302FW
23	1200-51241	WASHER	2		69A	4750-13130	GASKET, carb	1	BC3402FW
24A	4700-71110	ROTOR	1	BC3402FW	69B	4550-13130	GASKET, carb	1	BC4302FW
24B	T1153-71110	ROTOR	1	BC4302FW	70A	4770-81003	CARBURETOR ASS'Y	1	BC3402FW
25A	4770-71200	COIL-A	1	BC3402FW	70B	T1012-81000	CARBURETOR ASS'Y	1	BC4302FW
25B	T1117-71200	COIL-A	1	BC4302FW	71A	0263-90560	SCREW	2	BC3402FW
26A	4770-71220	• CORD, high	1	BC3402FW	71B	0263-90565	SCREW	2	BC4302FW
26B	4570-71220	• CORD, high	1	BC4302FW	72A	1600-97150	CABLE COMP.	1	BC3402FW
27A	4700-71230	• CAP	1	BC3402FW	72B	1600-83001	CABLE COMP.	1	BC4302FW
27B	2616-71320	• CAP	1	BC4302FW	73	4570-82000	CLEANER ASS'Y	1	
28A	4700-71240	• PIN	2	BC3402FW	74	1400-82113	• BODY		
28B	T1153-71250	• PIN	2	BC4302FW	75	4570-82120	• COVER	1	
29A	5500-72110	• CAP	1	BC3402FW	76	1418-82130	• ELEMENT	1	
29B	5500-72110	• CAP	1	BC4302FW	77	1400-82141	• SCREEN		
30A	1900-72120	SPRING	1	BC3402FW	78	4550-82150	SCREW	2	M4x25
30B	5500-72120	SPRING	1	BC4302FW	79	1133-82060	LABEL		
31A	4500-72150	BOLT	2	BC3402FW	80A	4770-85001	TANK ASS'Y	1	BC3402FW
31B	3350-14150	BOLT	2	BC4302FW	80B	T1117-85000	TANK ASS'Y	1	BC4302FW
32	1881-73110	SPARK PLUG	1	CJ6Y	81A	4570-85201	• CAP ASS'Y	1	BC3402FW
33	1650-43230	NUT	1	M8	81B	2133-85302	• CAP ASS'Y	1	BC4302FW
34	1000-43240	KEY	1		82	4570-85230	•• CAP INNER	1	
35A	4770-15110	MUFFLER	1	BC3402FW	83	1030-85141	•• ELEMENT	1	
35B	4570-15110	MUFFLER	1	BC4302FW	84	4500-85220	•• PACKING	1	
36A	01252-30560	BOLT	2	BC3402FW	85	3317-57242	•• STOPPER	1	BC4302FW
36B	01252-30565	BOLT	2	BC4302FW	86	1400-85104	• JOINT ASS'Y	1	
37	3310-31720	BOLT	1	M5x14	87	1400-85141	•• GROMMET	1	
38	T1048-15210	GASKET	1		88	1000-08050	•• TUBE	1	L50
39	4570-15220	PLATE	1		89	1410-86130	•• CLIP	1	
40	0263-90514	SCREW	1		90	3073-86130	CLIP	1	
41A	4700-31110	COVER, fan	1	BC3402FW	91	1600-86120	SCREW	1	M5x22
41B	T1117-31111	COVER, fan	1	BC4302FW	92	1660-31121	LABEL	1	
42A	3310-12281	BOLT	1	BC3402FW	93A	T1013-75410	LABEL, recoil	1	BC3402FW
42B	3310-12281	BOLT	1	BC4302FW	93B	T1117-75411	LABEL, recoil	1	BC4302FW
43A	4700-31210	PLATE, volute	1	BC3402FW					
43B	4500-31210	PLATE, volute	1	BC4302FW					

BC3402FW

Fig.3 CARBURETOR [BC3402FW]



Key#	PART NUMBER	DESCRIPTION	Q'TY /UNIT	NOTE
1	T1158-81000	CARBURETOR ASS'Y	1	BC3402FW
2	1650-81122	• CAP	1	
3	1141-81120	• CAP	1	
4	1030-81000-14	• SPRING	1	
5	1660-81151	• VALVE	1	
6	1030-81000-17	• RECEIVE	1	
7	5993-81210	• NEEDLE	1	
8	1030-81000-16	• CLIP	1	
9	1400-81230	• JET NEEDLE	1	
10	1620-81240	• JET	1	
11	1650-81251	• SCREW	1	
12	1650-81260	• SPRING	1	
13	1335-81180	• FLOAT	1	
14	1400-81320	• PACKING	1	
15	1400-81310	• CHAMBER	1	
16	1400-81340	• HINGE	1	
17	1400-81350	• PIN	1	
18	1400-81361	• VALVE	1	
19	1400-81540	• O RING	1	
20	1403-81500	• COCK	1	
21	1400-81650	• SCREW	1	
22	1400-81660	• PACKING	1	
23	0260-10410	• SCREW	2	
24	1650-81710	• PIPE	1	
25	0260-10412	• SCREW	2	



KOMATSU ZENOAH CO.

1-9 Minamidai, Kawagoe, Saitama, 350-1192 Japan
