

PARTS CATALOGUE

BRUSHCUTTERS**BC2300LE****BC2600LE****BC340WE****BC430WE****BC530WE****BC2300LE****BC2600LE****BC340WE****BC430WE****BC530WE**

PARTS LIST

BRUSHCUTTERS**BC2300LE****BC2300LE****NOTE :**

1. Use KOMATSU ZENOAH genuine parts specified in the parts list for repair and/or replacement.
2. KOMATSU ZENOAH does not warrant the machines, those which have been damaged by the use of any parts other than those specified by the company.
3. When placing orders of parts for repair and/or replacement, check if the model name and the serial number are suitable to those specified in the parts list, then use parts number described in the parts list.
4. The contents described in the parts list are as of July 1997 may change due to improvement.
5. The parts for the machine shall be supplied within ten (10) years after the machine is discontinued. [It is possible that some specific parts may be subject to change of their delivery term and list price within the limit of ten (10) years after the machine is discontinued. And it is also possible that some parts may be available even after the limit of ten (10) years.]

Fig.1 CUTTER GROUP

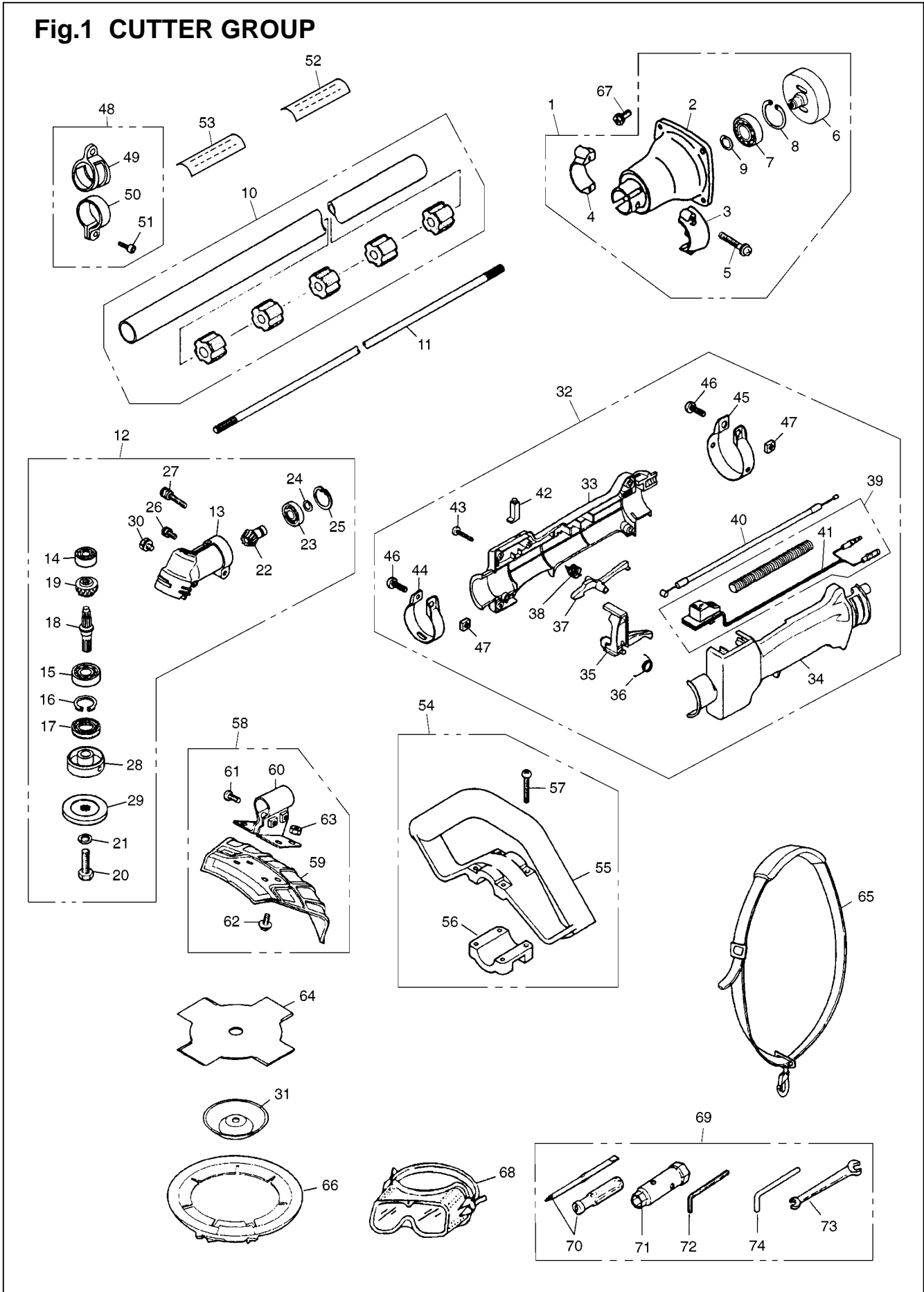


Fig.1 CUTTER GROUP

| Key# | PART NUMBER | DESCRIPTION | Q'TY /UNIT | NOTE | Key# | PART NUMBER | DESCRIPTION | Q'TY /UNIT | NOTE |
|------|-------------|---------------|------------|------|------|-------------|-------------|------------|------|
| 1 | 6574-11000 | HOUSING ASSY | 1 | | 56 | 6420-14320 | • CLAMP | 1 | |
| 2 | 6470-11110 | • HOUSING | 1 | | 57 | 00263-90535 | • SCREW | 4 | |
| 3 | 6460-11130 | • CLAMP-L | 1 | | 58 | 5764-24000 | GUARD ASSY | 1 | |
| 4 | 6460-11140 | • CLAMP-R | 1 | | 59 | 5766-24110 | • GUARD | 1 | |
| 5 | 3350-21320 | • BOLT | 2 | | 60 | 3250-24120 | • BRACKET | 1 | |
| 6 | 6460-12110 | • DRUM | 1 | | 61 | 00225-10620 | • BOLT | 2 | |
| 7 | 06004-06001 | • BEARING | 1 | | 62 | 00263-30614 | • SCREW | 4 | |
| 8 | 04065-02812 | • RING | 1 | | 63 | 00280-10605 | • NUT | 4 | |
| 9 | 04064-01210 | • RING | 1 | | 64 | 6298-14243 | SAW | 1 | |
| 10 | 6038-11301 | PIPE COMP | 1 | | 65 | 6489-17200 | STRAP ASSY | 1 | |
| 11 | 6784-12210 | SHAFT | 1 | | 66 | 6251-15910 | COVER,blade | 1 | |
| 12 | 6420-13000 | GEARCASE ASSY | 1 | | 67 | 6468-91150 | BOLT | 1 | |
| 13 | 6420-13121 | • GEARCASE | 1 | | 68 | 6242-92110 | GOGGLE | 1 | |
| 14 | 06000-00626 | • BEARING | 1 | | 69 | 3550-91000 | TOOL SET | 1 | |
| 15 | 06000-06900 | • BEARING | 1 | | 70 | 1030-91340 | • DRIVER | 1 | |
| 16 | 6420-13150 | • RING | 1 | | 71 | 3239-91310 | • SOCKET | 1 | |
| 17 | 3565-13130 | • SEAL | 1 | | 72 | 09007-00425 | • WRENCH | 1 | |
| 18 | 6420-13210 | • SHAFT,gear | 1 | | 73 | 3540-91120 | • SPANNER | 1 | |
| 19 | 6420-13220 | • GEAR | 1 | | 74 | 3540-91110 | • BAR | 1 | |
| 20 | 3560-13261 | • BOLT | 1 | | | | | | |
| 21 | 3560-13290 | • WASHER | 1 | | | | | | |
| 22 | 6420-13311 | • PINION | 1 | | | | | | |
| 23 | 06001-00609 | • BEARING | 1 | | | | | | |
| 24 | 3210-13330 | • RING | 1 | | | | | | |
| 25 | 04065-02412 | • RING | 1 | | | | | | |
| 26 | 01252-30510 | • BOLT | 1 | | | | | | |
| 27 | 3350-21320 | • BOLT | 1 | | | | | | |
| 28 | 6440-13242 | • HOLDER(A) | 1 | | | | | | |
| 29 | 6019-13250 | • HOLDER(B) | 1 | | | | | | |
| 30 | 00224-40610 | • BOLT | 1 | | | | | | |
| 31 | 6420-13280 | COVER | 1 | | | | | | |
| 32 | 6423-11330 | GRIP ASSY | 1 | | | | | | |
| 33 | 6464-12210 | • GRIP(R) | 1 | | | | | | |
| 34 | 6464-12220 | • GRIP(L) | 1 | | | | | | |
| 35 | 6464-12230 | • LEVER | 1 | | | | | | |
| 36 | 1638-84170 | • SPRING | 1 | | | | | | |
| 37 | 6464-12240 | • LEVER | 1 | | | | | | |
| 38 | 1638-84180 | • SPRING | 1 | | | | | | |
| 39 | 6423-12230 | • SWITH COMP | 1 | | | | | | |
| 40 | 6423-11390 | • CABELE COMP | 1 | | | | | | |
| 41 | 6423-12430 | • CORD COMP | 1 | | | | | | |
| 42 | 1638-84150 | • STOPPER | 1 | | | | | | |
| 43 | 1638-84220 | • SCREW | 4 | | | | | | |
| 44 | 6464-12250 | • CLAMP | 1 | | | | | | |
| 45 | 1638-84160 | • CLAMP | 1 | | | | | | |
| 46 | 00263-60620 | • SCREW | 2 | | | | | | |
| 47 | 1638-84190 | • NUT | 2 | | | | | | |
| 48 | 6130-18000 | HANGER ASSY | 1 | | | | | | |
| 49 | 6130-18101 | • HANGER | 1 | | | | | | |
| 50 | 6130-18200 | • CLAMP | 1 | | | | | | |
| 51 | 00263-90520 | • SCREW | 1 | | | | | | |
| 52 | 5763-12510 | PLATE,name | 1 | | | | | | |
| 53 | 6425-12552 | PLATE,caution | 1 | | | | | | |
| 54 | 6420-14100 | HANDLE ASSY | 1 | | | | | | |
| 55 | 6420-14311 | • HANDLE | 1 | | | | | | |

Fig.2 ENGINE GROUP

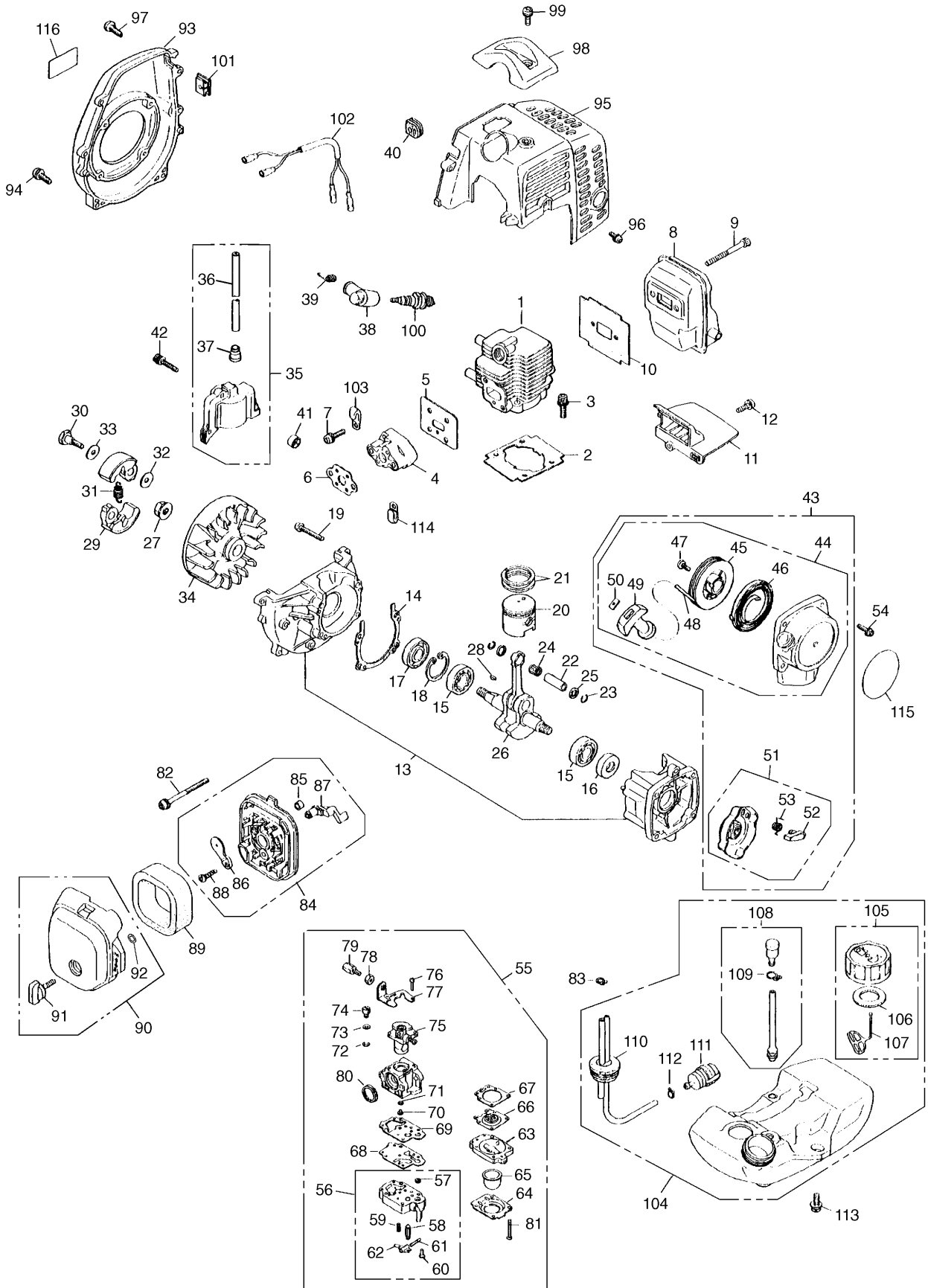


Fig.2 ENGINE GROUP

| Key# | PART NUMBER | DESCRIPTION | Q'TY /UNIT | NOTE | Key# | PART NUMBER | DESCRIPTION | Q'TY /UNIT | NOTE |
|------|-------------|-------------------|------------|------|------|-------------|------------------|------------|-----------------|
| 1 | 5500-12110 | CYLINDER | 1 | | 63 | 1850-81490 | • BODY | 1 | |
| 2 | 5500-12211 | GASKET,base | 1 | | 64 | 1850-81520 | • COVER | 1 | |
| 3 | 1850-12130 | BOLT | 2 | | 65 | 1751-81510 | • PUMP | 1 | |
| 4 | 5500-13162 | INSULATOR | 1 | | 66 | 3310-81260 | • DIAPHRAGM ASSY | 1 | |
| 5 | 5500-13120 | GASKET,insulator | 1 | | 67 | 1850-81470 | • GASKET | 1 | |
| 6 | 5500-13130 | GASKET,carburetor | 1 | | 68 | 1065-81420 | • DIAPHRAGM | 1 | |
| 7 | 00263-90520 | SCREW | 2 | | 69 | 1065-81410 | • GASKET | 1 | |
| 8 | 5580-15110 | MUFFLER | 1 | | 70 | 5500-81251 | • JET | 1 | |
| 9 | 01252-30550 | BOLT | 2 | | 71 | 1751-81240 | • O-RING | 4 | |
| 10 | 5500-15210 | GASKET | 1 | | 72 | 1751-81130 | • RING | 2 | |
| 11 | 5500-15220 | PLATE | 1 | | 73 | 5500-81160 | • WASHER | 1 | |
| 12 | 00263-90416 | SCREW | 1 | | 74 | 1881-81140 | • SWIVEL | 1 | |
| 13 | 5500-21100 | CRANKCASE COMP | 1 | | 75 | 5500-81153 | • VALVE ASSY | 1 | |
| 14 | 5500-21140 | GASKET,case | 1 | | 76 | 1752-81110 | • SCREW | 2 | |
| 15 | 06030-06001 | BEARING | 2 | | 77 | 5500-81120 | • BRAKET | 1 | |
| 16 | 2169-21210 | OIL SEAL | 1 | | 78 | 1751-81180 | • NUT | 1 | |
| 17 | 1850-21220 | OIL SEAL | 1 | | 79 | 1918-81170 | • SCREW | 1 | |
| 18 | 04065-02812 | SNAP RING | 1 | | 80 | 1881-81130 | • RING | 1 | |
| 19 | 01252-30530 | BOLT | 4 | | 81 | 1850-81530 | • SCREW | 1 | |
| 20 | 5600-41111 | PISTON | 1 | | 82 | 00263-90560 | SCREW | 2 | |
| 21 | 1100-41210 | RING | 2 | | 83 | 1950-86120 | CLIP | 1 | |
| 22 | 1101-41310 | PIN | 1 | | 84 | 5500-82102 | BODY ASSY | 1 | |
| 23 | 1260-41320 | SNAP RING | 2 | | 85 | 1970-82190 | • SLEEVE | 2 | |
| 24 | 1140-41330 | BEARING | 1 | | 86 | 5500-82131 | • PLATE | 1 | |
| 25 | 1101-41340 | WASHER | 2 | | 87 | 5500-82140 | • LVEVER | 1 | |
| 26 | 5500-42001 | CRANKSHAFT COMP | 1 | | 88 | 2630-33610 | • SCREW | 1 | |
| 27 | 1650-43230 | NUT | 1 | | 89 | 5500-82171 | ELEMENT | 1 | |
| 28 | 1000-43240 | KEY | 1 | | 90 | 5600-82201 | COVER ASSY | 1 | |
| 29 | 1400-51111 | SHOE | 2 | | 91 | 5500-82221 | • KNOB | 1 | |
| 30 | 1140-51250 | SCREW | 2 | | 92 | 5500-82230 | • RING | 1 | |
| 31 | 1970-51221 | SPRING | 1 | | 93 | 5501-31111 | COVER | 1 | |
| 32 | 1140-51230 | WASHER | 1 | | 94 | 00263-90520 | SCREW | 4 | |
| 33 | 1970-51241 | WASHER | 1 | | 95 | 5580-32111 | COVER | 1 | |
| 34 | 5501-71110 | ROTOR | 1 | | 96 | 1850-32160 | SCREW | 1 | |
| 35 | 5501-71201 | COIL ASSY | 1 | | 97 | 1900-31410 | SCREW | 2 | |
| 36 | 5500-71220 | • CORD,high | 1 | | 98 | 5500-32210 | GUARD | 1 | |
| 37 | 2616-71320 | • CAP | 1 | | 99 | 00263-90514 | SCREW | 1 | |
| 38 | 1900-72111 | CAP | 1 | | 100 | 1216-73110 | SPARKPLUG | 1 | Champion RCJ-8Y |
| 39 | 1900-72120 | SPRING | 1 | | 101 | 1852-72120 | GROMMET | 1 | |
| 40 | 5500-72130 | GROMMET | 1 | | 102 | 5500-73201 | CORD COMP | 1 | |
| 41 | 1260-71261 | SPACER | 2 | | 103 | 1140-72231 | CLAMP | 1 | |
| 42 | 3310-72150 | BOLT | 2 | | 104 | 5504-85001 | TANK ASSY | 1 | |
| 43 | 5500-75000 | STARTER ASSY | 1 | | 105 | 5504-85201 | • CAP ASSY | 1 | |
| 44 | 5500-75100 | • RECOIL ASSY | 1 | | 106 | 5500-85220 | •• PACKING | 1 | |
| 45 | 1850-75120 | •• REEL | 1 | | 107 | 3317-57242 | •• STOPPER | 1 | |
| 46 | 1850-75130 | •• SPIRING,spiral | 1 | | 108 | 5500-85602 | • BREATHER ASSY | 1 | |
| 47 | 1850-75151 | •• SCREW | 1 | | 109 | 1950-86120 | •• CLIP | 1 | |
| 48 | 1850-75160 | •• ROPE | 1 | | 110 | 5500-85300 | • PIPE COMP | 1 | |
| 49 | 1140-75320 | •• KNOB | 1 | | 111 | 5500-85400 | • FILTER ASSY | 1 | |
| 50 | 5500-75170 | •• TAPE | 1 | | 112 | 1260-85460 | • CLIP | 1 | |
| 51 | 1850-75201 | • PULLEY ASSY | 1 | | 113 | 5500-85510 | SCREW | 2 | |
| 52 | 1850-75221 | •• RATCHET | 1 | | 114 | 1140-72231 | CLAMP | 1 | |
| 53 | 1850-75230 | •• SPRING | 1 | | 115 | 5912-91120 | LABEL, recoil | 1 | |
| 54 | 00263-90416 | SCREW | 4 | | 116 | 5500-91130 | LABEL, cover | 1 | |
| 55 | 5500-81002 | CARBRETOR ASSY | 1 | | | | | | |
| 56 | 1850-81450 | • BODY ASSY | 1 | | | | | | |
| 57 | 3306-81380 | •• SCREEN | 1 | | | | | | |
| 58 | 3356-81310 | •• VALVE | 1 | | | | | | |
| 59 | 1850-81270 | •• SPRING | 1 | | | | | | |
| 60 | 1850-81220 | •• SCREW | 1 | | | | | | |
| 61 | 3310-81250 | •• PIN | 1 | | | | | | |
| 62 | 3310-81230 | •• LEVER | 1 | | | | | | |

PARTS LIST

BRUSHCUTTERS

BC2600LE

BC2600LE**NOTE :**

1. Use KOMATSU ZENOAH genuine parts specified in the parts list for repair and/or replacement.
2. KOMATSU ZENOAH does not warrant the machines, those which have been damaged by the use of any parts other than those specified by the company.
3. When placing orders of parts for repair and/or replacement, check if the model name and the serial number are suitable to those specified in the parts list, then use parts number described in the parts list.
4. The contents described in the parts list are as of July 1997 may change due to improvement.
5. The parts for the machine shall be supplied within ten (10) years after the machine is discontinued. [It is possible that some specific parts may be subject to change of their delivery term and list price within the limit of ten (10) years after the machine is discontinued. And it is also possible that some parts may be available even after the limit of ten (10) years.]

Fig.1 CUTTER GROUP

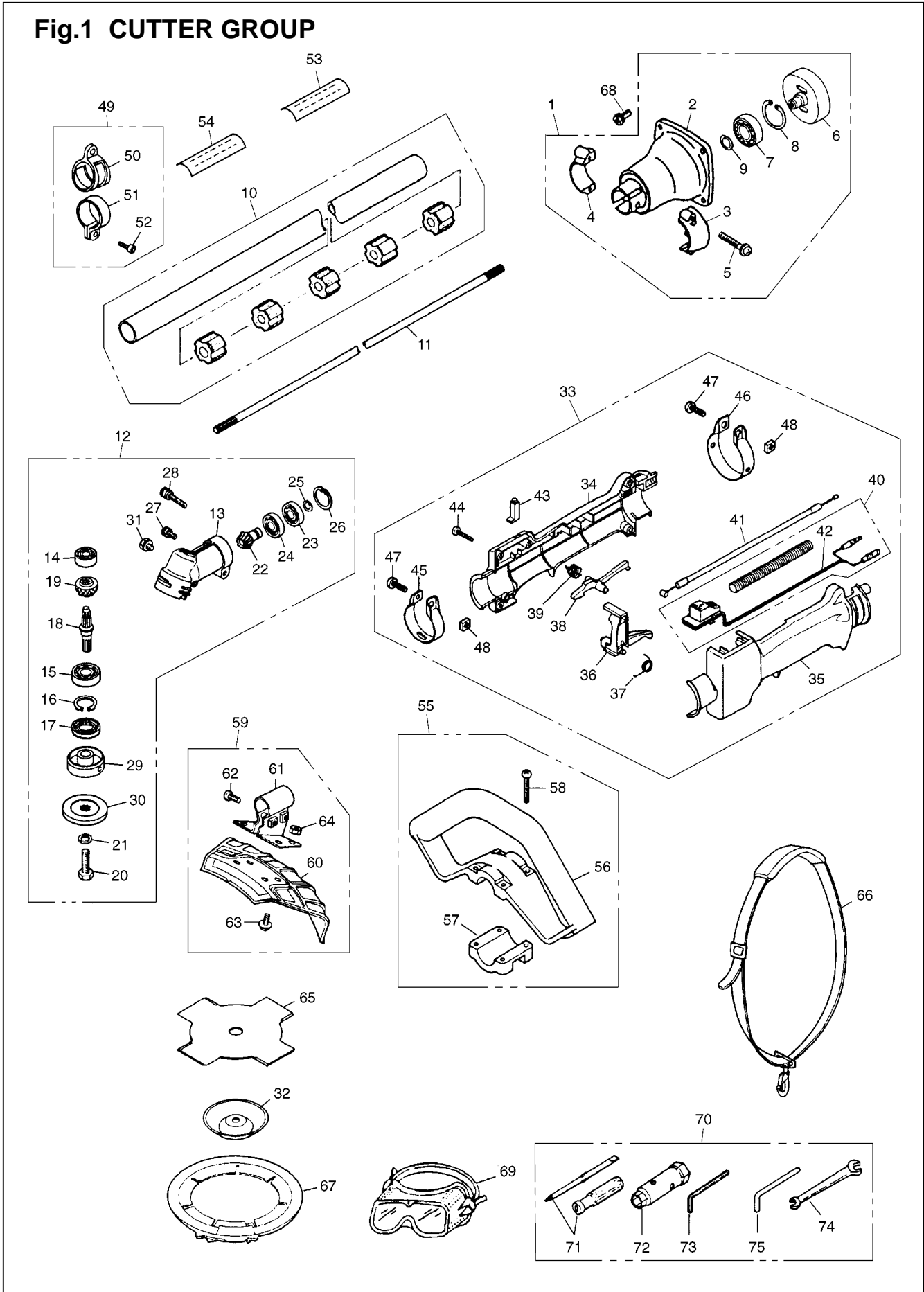


Fig.1 CUTTER GROUP

| Key# | PART NUMBER | DESCRIPTION | Q'TY /UNIT | NOTE | Key# | PART NUMBER | DESCRIPTION | Q'TY /UNIT | NOTE |
|------|-------------|---------------|------------|------|------|-------------|-------------|------------|------|
| 1 | 6574-11000 | HOUSING ASSY | 1 | | 56 | 6420-14311 | • HANDLE | 1 | |
| 2 | 6470-11110 | • HOUSING | 1 | | 57 | 6420-14320 | • CLAMP | 1 | |
| 3 | 6460-11130 | • CLAMP-L | 1 | | 58 | 00263-90535 | • SCREW | 4 | |
| 4 | 6460-11140 | • CLAMP-R | 1 | | 59 | 5764-24000 | GUARD ASSY | 1 | |
| 5 | 3350-21320 | • BOLT | 2 | | 60 | 5766-24110 | • GUARD | 1 | |
| 6 | 6460-12110 | • DRUM | 1 | | 61 | 3250-24120 | • BRACKET | 1 | |
| 7 | 06004-06001 | • BEARING | 1 | | 62 | 00225-10620 | • BOLT | 2 | |
| 8 | 04065-02812 | • RING | 1 | | 63 | 00263-30614 | • SCREW | 4 | |
| 9 | 04064-01210 | • RING | 1 | | 64 | 00280-10605 | • NUT | 4 | |
| 10 | 6038-11301 | PIPE COMP | 1 | | 65 | 6298-14243 | SAW | 1 | |
| 11 | 6784-12210 | SHAFT | 1 | | 66 | 6489-17200 | STRAP ASSY | 1 | |
| 12 | 6440-13002 | GEARCASE ASSY | 1 | | 67 | 6251-15910 | COVER,blade | 1 | |
| 13 | 6440-13122 | • GEARCASE | 1 | | 68 | 6468-91150 | BOLT | 1 | |
| 14 | 06000-00626 | • BEARING | 1 | | 69 | 6242-92110 | GOGGLE | 1 | |
| 15 | 06000-06000 | • BEARING | 1 | | 70 | 3550-91000 | TOOL SET | 1 | |
| 16 | 04065-02612 | • RING | 1 | | 71 | 1030-91340 | • DRIVER | 1 | |
| 17 | 3565-13130 | • SEAL | 1 | | 72 | 3239-91310 | • SOCKET | 1 | |
| 18 | 6440-13211 | • SHAFT,gear | 1 | | 73 | 09007-00425 | • WRENCH | 1 | |
| 19 | 6440-13220 | • GEAR | 1 | | 74 | 3540-91120 | • SPANNER | 1 | |
| 20 | 3560-13261 | • BOLT | 1 | | 75 | 3540-91110 | • BAR | 1 | |
| 21 | 3560-13290 | • WASHER | 1 | | | | | | |
| 22 | 6440-13311 | • PINION | 1 | | | | | | |
| 23 | 06001-00609 | • BEARING | 1 | | | | | | |
| 24 | 06000-00609 | • BEARING | 1 | | | | | | |
| 25 | 3210-13330 | • RING | 1 | | | | | | |
| 26 | 04065-02412 | • RING | 1 | | | | | | |
| 27 | 01252-30510 | • BOLT | 1 | | | | | | |
| 28 | 3350-21320 | • BOLT | 1 | | | | | | |
| 29 | 6440-13242 | • HOLDER(A) | 1 | | | | | | |
| 30 | 6019-13250 | • HOLDER(B) | 1 | | | | | | |
| 31 | 00224-40610 | • BOLT | 1 | | | | | | |
| 32 | 6420-13280 | COVER | 1 | | | | | | |
| 33 | 6423-11330 | GRIP ASSY | 1 | | | | | | |
| 34 | 6464-12210 | • GRIP(R) | 1 | | | | | | |
| 35 | 6464-12220 | • GRIP(L) | 1 | | | | | | |
| 36 | 6464-12230 | • LEVER | 1 | | | | | | |
| 37 | 1638-84170 | • SPRING | 1 | | | | | | |
| 38 | 6464-12240 | • LEVER | 1 | | | | | | |
| 39 | 1638-84180 | • SPRING | 1 | | | | | | |
| 40 | 6423-12230 | • SWITH COMP | 1 | | | | | | |
| 41 | 6423-11390 | • CABELE COMP | 1 | | | | | | |
| 42 | 6423-12430 | • CORD COMP | 1 | | | | | | |
| 43 | 1638-84150 | • STOPPER | 1 | | | | | | |
| 44 | 1638-84220 | • SCREW | 4 | | | | | | |
| 45 | 6464-12250 | • CLAMP | 1 | | | | | | |
| 46 | 1638-84160 | • CLAMP | 1 | | | | | | |
| 47 | 00263-60620 | • SCREW | 2 | | | | | | |
| 48 | 1638-84190 | • NUT | 2 | | | | | | |
| 49 | 6130-18000 | HANGER ASSY | 1 | | | | | | |
| 50 | 6130-18101 | • HANGER | 1 | | | | | | |
| 51 | 6130-18200 | • CLAMP | 1 | | | | | | |
| 52 | 00263-90520 | • SCREW | 1 | | | | | | |
| 53 | 5764-12510 | PLATE,name | 1 | | | | | | |
| 54 | 6425-12552 | PLATE,caution | 1 | | | | | | |
| 55 | 6420-14100 | HANDLE ASSY | 1 | | | | | | |

Fig.2 ENGINE GROUP

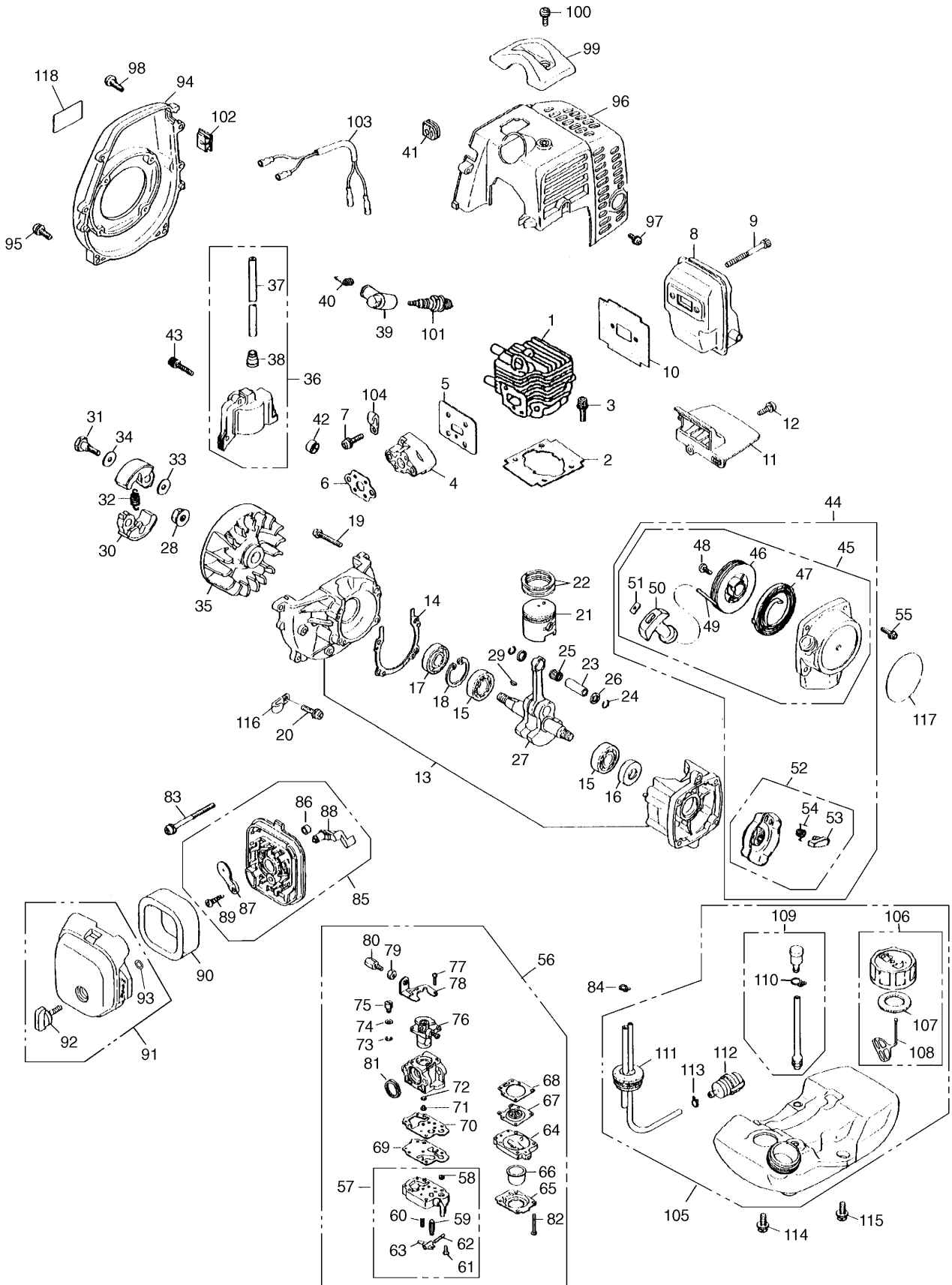


Fig.2 ENGINE GROUP

| Key# | PART NUMBER | DESCRIPTION | Q'TY /UNIT | NOTE | Key# | PART NUMBER | DESCRIPTION | Q'TY /UNIT | NOTE |
|------|-------------|-------------------|------------|------|------|-------------|------------------|------------|-----------------|
| 1 | 5910-12110 | CYLINDER | 1 | | 63 | 3310-81230 | •• LEVER | 1 | |
| 2 | 5500-12211 | GASKET,base | 1 | | 64 | 1850-81490 | • BODY | 1 | |
| 3 | 1850-12130 | BOLT | 2 | | 65 | 1850-81520 | • COVER | 1 | |
| 4 | 1920-13162 | INSULATOR | 1 | | 66 | 1751-81510 | • PUMP | 1 | |
| 5 | 5500-13120 | GASKET,insulator | 1 | | 67 | 3310-81260 | • DIAPHRAGM ASSY | 1 | |
| 6 | 5500-13130 | GASKET,carburetor | 1 | | 68 | 1850-81470 | • GASKET | 1 | |
| 7 | 00263-90520 | SCREW | 2 | | 69 | 1065-81420 | • DIAPHRAGM | 1 | |
| 8 | 5580-15110 | MUFFLER | 1 | | 70 | 1065-81410 | • GASKET | 1 | |
| 9 | 01252-30550 | BOLT | 2 | | 71 | 1850-81251 | • JET | 1 | |
| 10 | 5500-15210 | GASKET | 1 | | 72 | 1751-81240 | • O-RING | 4 | |
| 11 | 5500-15220 | PLATE | 1 | | 73 | 1751-81130 | • RING | 2 | |
| 12 | 00263-90416 | SCREW | 1 | | 74 | 5500-81160 | • WASHER | 1 | |
| 13 | 5500-21100 | CRANKCASE COMP | 1 | | 75 | 1881-81140 | • SWIVEL | 1 | |
| 14 | 5500-21140 | GASKET,case | 1 | | 76 | 5500-81152 | • VALVE ASSY | 1 | |
| 15 | 06030-06001 | BEARING | 2 | | 77 | 1752-81110 | • SCREW | 2 | |
| 16 | 2169-21210 | OIL SEAL | 1 | | 78 | 5500-81120 | • BRAKET | 1 | |
| 17 | 1850-21220 | OIL SEAL | 1 | | 79 | 1751-81180 | • NUT | 1 | |
| 18 | 04065-02812 | SNAP RING | 1 | | 80 | 1918-81170 | • SCREW | 1 | |
| 19 | 01252-30530 | BOLT | 4 | | 81 | 1881-81130 | • RING | 1 | |
| 20 | 00263-90514 | SCREW | 1 | | 82 | 1850-81530 | • SCREW | 1 | |
| 21 | 5910-41110 | PISTON | 1 | | 83 | 00263-30555 | SCREW | 2 | |
| 22 | 5910-41210 | RING | 2 | | 84 | 1950-86120 | CLIP | 1 | |
| 23 | 1600-41310 | PIN | 1 | | 85 | 5500-82102 | BODY ASSY | 1 | |
| 24 | 1260-41320 | SNAP RING | 2 | | 86 | 1970-82190 | • SLEEVE | 2 | |
| 25 | 1140-41330 | BEARING | 1 | | 87 | 5500-82131 | • PLATE | 1 | |
| 26 | 1101-41340 | WASHER | 2 | | 88 | 5500-82140 | • LVEVER | 1 | |
| 27 | 5500-42001 | CRANKSHAFT COMP | 1 | | 89 | 2630-33610 | • SCREW | 1 | |
| 28 | 1650-43230 | NUT | 1 | | 90 | 5500-82171 | ELEMENT | 1 | |
| 29 | 1000-43240 | KEY | 1 | | 91 | 5600-82201 | COVER ASSY | 1 | |
| 30 | 1400-51111 | SHOE | 2 | | 92 | 5500-82221 | • KNOB | 1 | |
| 31 | 1140-51250 | SCREW | 2 | | 93 | 5500-82230 | • RING | 1 | |
| 32 | 1970-51221 | SPRING | 1 | | 94 | 5501-31111 | COVER | 1 | |
| 33 | 1140-51230 | WASHER | 1 | | 95 | 00263-90520 | SCREW | 4 | |
| 34 | 1970-51241 | WASHER | 1 | | 96 | 5580-32111 | COVER | 1 | |
| 35 | 5501-71110 | ROTOR | 1 | | 97 | 1850-32160 | SCREW | 1 | |
| 36 | 5501-71201 | COIL ASSY | 1 | | 98 | 1900-31410 | SCREW | 2 | |
| 37 | 5500-71220 | • CORD,high | 1 | | 99 | 5500-32210 | GUARD | 1 | |
| 38 | 2616-71320 | • CAP | 1 | | 100 | 00263-90514 | SCREW | 1 | |
| 39 | 1900-72111 | CAP | 1 | | 101 | 5602-73110 | SPARKPLUG | 1 | Champion RCJ-6Y |
| 40 | 1900-72120 | SPRING | 1 | | 102 | 1852-72120 | GROMMET | 1 | |
| 41 | 5500-72130 | GROMMET | 1 | | 103 | 5500-73201 | CORD COMP | 1 | |
| 42 | 1260-71261 | SPACER | 2 | | 104 | 1140-72231 | CLAMP | 1 | |
| 43 | 3310-72150 | BOLT | 2 | | 105 | 5912-85001 | TANK ASSY | 1 | |
| 44 | 5500-75000 | STARTER ASSY | 1 | | 106 | 5504-85201 | • CAP ASSY | 1 | |
| 45 | 5500-75100 | • RECOIL ASSY | 1 | | 107 | 5500-85220 | •• PACKING | 1 | |
| 46 | 1850-75120 | •• REEL | 1 | | 108 | 3317-57242 | •• STOPPER | 1 | |
| 47 | 1850-75130 | •• SPIRING,spiral | 1 | | 109 | 5500-85602 | • BREATHER ASSY | 1 | |
| 48 | 1850-75151 | •• SCREW | 1 | | 110 | 1950-86120 | •• CLIP | 1 | |
| 49 | 1850-75160 | •• ROPE | 1 | | 111 | 5911-85300 | • PIPE COMP | 1 | |
| 50 | 1140-75320 | •• KNOB | 1 | | 112 | 5500-85400 | • FILTER ASSY | 1 | |
| 51 | 5500-75170 | •• TAPE | 1 | | 113 | 1260-85460 | • CLIP | 1 | |
| 52 | 1850-75201 | • PULLEY ASSY | 1 | | 114 | 5500-85510 | SCREW | 2 | |
| 53 | 1850-75221 | •• RATCHET | 1 | | 115 | 5910-85510 | SCREW | 1 | |
| 54 | 1850-75230 | •• SPRING | 1 | | 116 | 1140-72231 | CLAMP | 1 | |
| 55 | 00263-90416 | SCREW | 4 | | 117 | 5912-91120 | LABEL,recoil | 1 | |
| 56 | 5912-81000 | CARBRETOR ASSY | 1 | | 118 | 5500-91130 | LABEL,cover | 1 | |
| 57 | 1850-81450 | • BODY ASSY | 1 | | | | | | |
| 58 | 3306-81380 | •• SCREEN | 1 | | | | | | |
| 59 | 3356-81310 | •• VALVE | 1 | | | | | | |
| 60 | 1850-81270 | •• SPRING | 1 | | | | | | |
| 61 | 1850-81220 | •• SCREW | 1 | | | | | | |
| 62 | 3310-81250 | •• PIN | 1 | | | | | | |

PARTS LIST

BRUSHCUTTERS

BC340WE

NOTE :

1. Use KOMATSU ZENOAH genuine parts specified in the parts list for repair and/or replacement.
2. KOMATSU ZENOAH does not warrant the machines, those which have been damaged by the use of any parts other than those specified by the company.
3. When placing orders of parts for repair and/or replacement, check if the model name and the serial number are suitable to those specified in the parts list, then use parts number described in the parts list.
4. The contents described in the parts list are as of July 1997 may change due to improvement.
5. The parts for the machine shall be supplied within ten (10) years after the machine is discontinued. [It is possible that some specific parts may be subject to change of their delivery term and list price within the limit of ten (10) years after the machine is discontinued. And it is also possible that some parts may be available even after the limit of ten (10) years.]

BC340WE

Fig.1 CUTTER GROUP

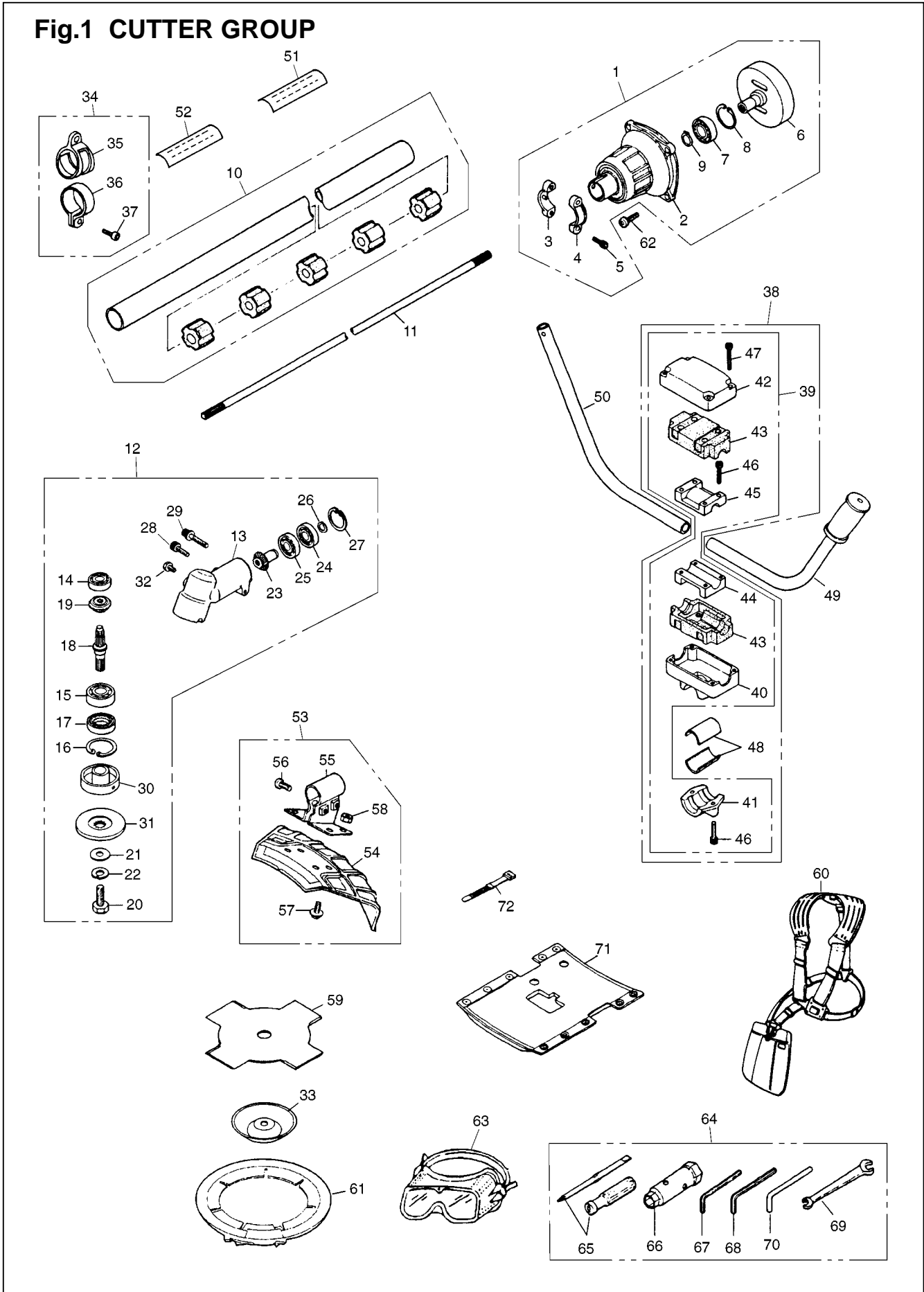


Fig.1 CUTTER GROUP

| Key# | PART NUMBER | DESCRIPTION | Q'TY /UNIT | NOTE | Key# | PART NUMBER | DESCRIPTION | Q'TY /UNIT | NOTE |
|------|-------------|----------------|------------|------|------|-------------|-------------|------------|------|
| 1 | 3531-11001 | HOUSING ASSY | 1 | | 56 | 00225-10620 | • BOLT | 2 | |
| 2 | 3531-11101 | • HOUSING COMP | 1 | | 57 | 00263-30614 | • SCREW | 4 | |
| 3 | 3531-11131 | • CLAMP-L | 1 | | 58 | 00280-10605 | • NUT | 4 | |
| 4 | 3531-11141 | • CLAMP-R | 1 | | 59 | 6298-14243 | SAW | 1 | |
| 5 | 3350-21320 | • BOLT | 2 | | 60 | 6220-17201 | HARNES ASSY | 1 | |
| 6 | 3530-11310 | • DRUM | 1 | | 61 | 6251-15910 | COVER,blade | 1 | |
| 7 | 06004-06202 | • BEARING | 1 | | 62 | 6468-91150 | BOLT | 4 | |
| 8 | 04065-03515 | • RING | 1 | | 63 | 6242-92110 | GOGGLE | 1 | |
| 9 | 04064-01510 | • RING | 1 | | 64 | 3532-91000 | TOOL SET | 1 | |
| 10 | 6039-11300 | PIPE COMP | 1 | | 65 | 1030-91340 | • DRIVER | 1 | |
| 11 | 3520-12212 | SHAFT | 1 | | 66 | 3239-91310 | • SOCKET | 1 | |
| 12 | 3530-13906 | GEARCASE ASSY | 1 | | 67 | 09007-00425 | • WRENCH | 1 | |
| 13 | 3541-13194 | • GEARCASE | 1 | | 68 | 09007-00528 | • WRENCH | 1 | |
| 14 | 06000-06000 | • BEARING | 1 | | 69 | 3540-91120 | • SPANNER | 1 | |
| 15 | 06000-06201 | • BEARING | 1 | | 70 | 3540-91110 | • BAR | 1 | |
| 16 | 04065-03212 | • RING | 1 | | 71 | 3523-17112 | PROTECTOR | 1 | |
| 17 | 3180-13141 | • SEAL | 1 | | 72 | 3540-93120 | BAND | 1 | |
| 18 | 3541-13212 | • SHAFT,gear | 1 | | | | | | |
| 19 | 3180-13220 | • GEAR | 1 | | | | | | |
| 20 | 3579-33260 | • BOLT | 1 | | | | | | |
| 21 | 01643-30823 | • WASHER | 1 | | | | | | |
| 22 | 3310-43210 | • WASHER | 1 | | | | | | |
| 23 | 3530-13311 | • PINION | 1 | | | | | | |
| 24 | 06001-06000 | • BEARING | 1 | | | | | | |
| 25 | 06000-06000 | • BEARING | 1 | | | | | | |
| 26 | 3180-13330 | • RING | 1 | | | | | | |
| 27 | 04065-02612 | • RING | 1 | | | | | | |
| 28 | 01252-30510 | • BOLT | 1 | | | | | | |
| 29 | 3540-13260 | • BOLT | 1 | | | | | | |
| 30 | 3541-13241 | • HOLDER(A) | 1 | | | | | | |
| 31 | 3541-13251 | • HOLDER(B) | 1 | | | | | | |
| 32 | 00224-40610 | • BOLT | 1 | | | | | | |
| 33 | 3520-13284 | COVER | 1 | | | | | | |
| 34 | 9366-17100 | HANGER ASSY | 1 | | | | | | |
| 35 | 9366-17110 | • HANGER | 1 | | | | | | |
| 36 | 9366-17120 | • CLAMP | 1 | | | | | | |
| 37 | 00263-90525 | • SCREW | 1 | | | | | | |
| 38 | 3530-14900 | BRACKET ASSY | 1 | | | | | | |
| 39 | 3540-14900 | • BRACKET ASSY | 1 | | | | | | |
| 40 | 3540-14910 | •• BRACKET | 1 | | | | | | |
| 41 | 3540-14920 | •• CAP-L | 1 | | | | | | |
| 42 | 3540-14930 | •• CAP-U | 1 | | | | | | |
| 43 | 3540-14140 | •• ABSORBER | 2 | | | | | | |
| 44 | 3450-14150 | •• CLAMP-A | 1 | | | | | | |
| 45 | 3540-14160 | •• CLAMP-B | 1 | | | | | | |
| 46 | 01252-30525 | •• BOLT | 6 | | | | | | |
| 47 | 01252-30530 | •• BOLT | 4 | | | | | | |
| 48 | 3530-14171 | • SPACER | 2 | | | | | | |
| 49 | 6465-14200 | HANDLE-L | 1 | | | | | | |
| 50 | 6350-14230 | HANDLE-R | 1 | | | | | | |
| 51 | 5765-12510 | PLATE,name | 1 | | | | | | |
| 52 | 6425-12552 | PLATE,caution | 1 | | | | | | |
| 53 | 5765-24000 | GUARD ASSY | 1 | | | | | | |
| 54 | 5766-24110 | • GUARD | 1 | | | | | | |
| 55 | 3253-24120 | • BRACKET | 1 | | | | | | |

Fig.2 ENGINE GROUP

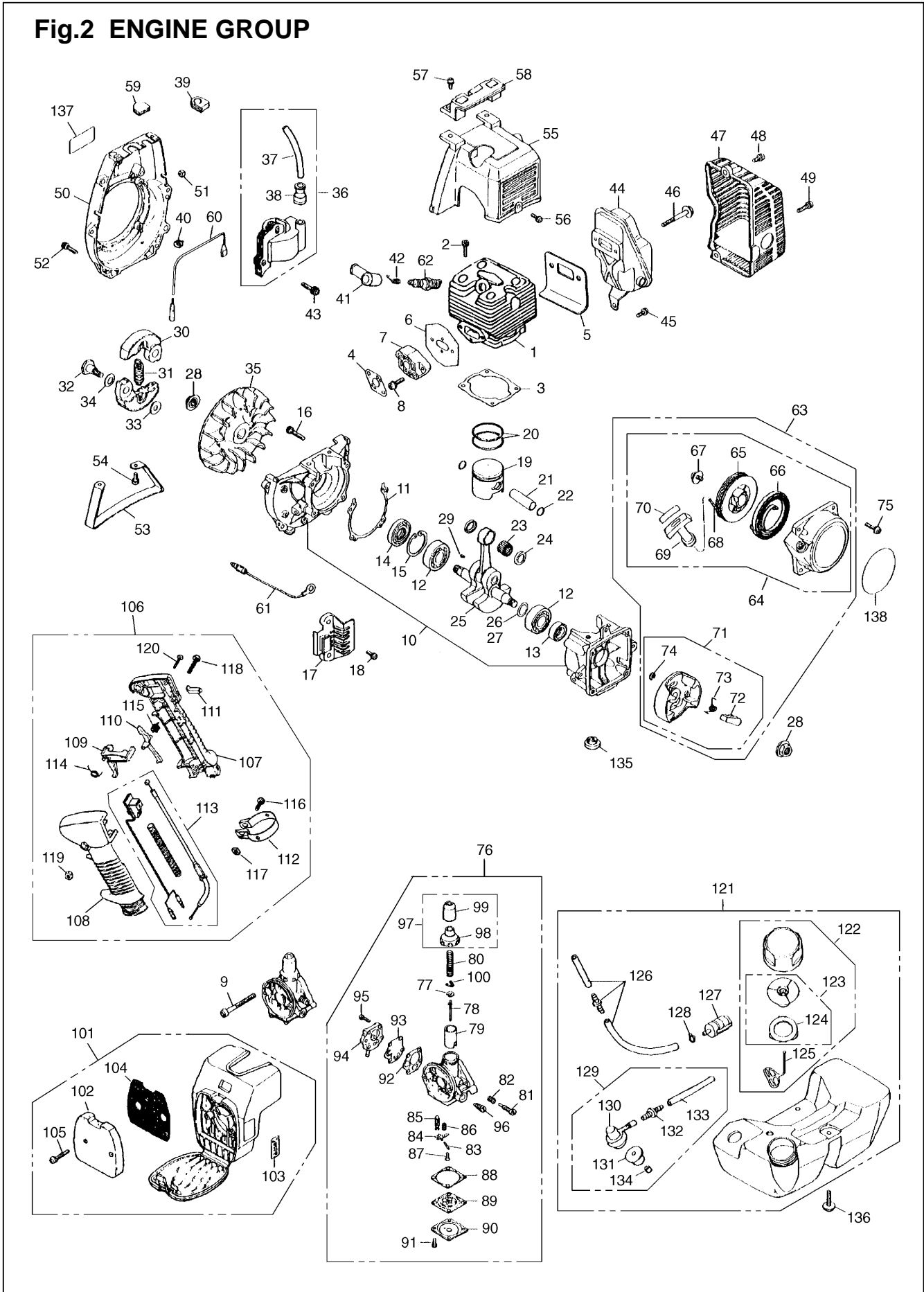


Fig.2 ENGINE GROUP

| Key# | PART NUMBER | DESCRIPTION | Q'TY /UNIT | NOTE | Key# | PART NUMBER | DESCRIPTION | Q'TY /UNIT | NOTE |
|------|-------------|-----------------|------------|--------|------|-------------|------------------|------------|------|
| 1 | 1650-12112 | CYLINDER | 1 | | 72 | 1600-75220 | •• RATCHET | 1 | |
| 2 | 3310-12281 | BOLT | 4 | | 73 | 1600-75230 | •• SPRING | 1 | |
| 3 | 1650-13120 | GASKET | 1 | | 74 | 1034-72180 | •• E-RING | 1 | |
| 4 | 1600-13130 | GASKET | 1 | | 75 | 00263-90520 | SCREW | 1 | |
| 5 | 1670-13141 | GASKET | 1 | | 76 | 1672-81003 | CARBURETOR ASSY | 1 | |
| 6 | 1600-13150 | GASKET | 1 | | 77 | 1600-81120 | • RETAINER | 1 | |
| 7 | 1600-13160 | INSULATOR | 1 | | 78 | 1670-81130 | • NEEDLE | 1 | |
| 8 | 00263-90520 | SCREW | 2 | | 79 | 1670-81140 | • VALVE | 1 | |
| 9 | 00260-00545 | SCREW | 2 | | 80 | 1600-81150 | • SPRING | 1 | |
| 10 | 1650-21102 | CRANKCASE COMP | 1 | | 81 | 1188-81162 | • SCREW | 1 | |
| 11 | 1650-21140 | GASKET | 1 | | 82 | 1188-81170 | • SPRING | 1 | |
| 12 | 06030-06201 | BEARING | 2 | | 83 | 1188-81180 | • PIN | 1 | |
| 13 | 2169-21210 | SEAL | 1 | | 84 | 1188-81190 | • ARM | 1 | |
| 14 | 1650-21220 | SEAL | 1 | | 85 | 1188-81211 | • VALVE | 1 | |
| 15 | 04065-03212 | RING | 4 | | 86 | 1188-81220 | • SPRING | 1 | |
| 16 | 01252-30530 | BOLT | 1 | | 87 | 1188-81230 | • SCREW | 1 | |
| 17 | 2155-21311 | GUARD | 1 | | 88 | 1600-81320 | • GASKET | 1 | |
| 18 | 00263-90514 | SCREW | 2 | | 89 | 1600-81240 | • DIAPHRAGM ASSY | 1 | |
| 19 | 1650-41111 | PISTON | 1 | | 90 | 1565-81240 | • COVER | 1 | |
| 20 | 1650-41210 | RING | 2 | | 91 | 00260-10308 | • SCREW | 4 | |
| 21 | 1650-41310 | PIN | 1 | | 92 | 1188-81280 | • GASKET | 1 | |
| 22 | 3310-41320 | RING | 2 | | 93 | 1670-81270 | • DIAPHRAGM | 1 | |
| 23 | 3310-41410 | BEARING | 1 | | 94 | 1600-81260 | • COVER ASSY | 1 | |
| 24 | 1650-41510 | WASHER | 2 | | 95 | 00260-10312 | • SCREW | 4 | |
| 25 | 1650-42000 | CRANKSHAFT COMP | 1 | | 96 | 1188-81310 | • NEEDLE | 1 | |
| 26 | 1300-43260 | SHIM | 0~ | | 97 | 1188-81300 | • CAP COMP | 1 | |
| 27 | 1400-43250 | SHIM | 0~ | | 98 | 1188-81250 | •• CAP | 1 | |
| 28 | 1650-43230 | NUT | 2 | | 99 | 1188-81330 | •• SEAL | 1 | |
| 29 | 1000-43240 | KEY | 1 | | 100 | 1600-81411 | • CLIP | 1 | |
| 30 | 1400-51111 | SHOE | 2 | | 101 | 1671-82001 | CLEANER ASSY | 1 | |
| 31 | 1400-51220 | SPRING | 1 | | 102 | 1600-82120 | • ELEMENT | 1 | |
| 32 | 1200-51211 | SCREW | 2 | | 103 | 1133-82060 | • LABEL | 1 | |
| 33 | 1200-51230 | WASHER | 2 | | 104 | 1600-82140 | • SCREEN | 1 | |
| 34 | 1200-51240 | WASHER | 2 | | 105 | 00260-30422 | SCREW | 2 | |
| 35 | 2155-71110 | ROTOR | 1 | | 106 | 2175-84000 | LEVER ASSY | 1 | |
| 36 | 2113-71200 | COIL ASSY | 1 | | 107 | 1638-84110 | GRIP-R | 1 | |
| 37 | 2113-71220 | • CORD,high | 1 | | 108 | 1638-84120 | GRIP-L | 1 | |
| 38 | 2616-71320 | • CAP | 1 | | 109 | 1638-84130 | • LEVER | 1 | |
| 39 | 5500-72130 | GROMMET | 1 | | 110 | 1638-84140 | • LEVER | 1 | |
| 40 | 1100-72120 | GROMMET | 1 | | 111 | 1638-84150 | • LOCK | 1 | |
| 41 | 1900-72111 | CAP | 1 | | 112 | 1638-84160 | • BAND | 1 | |
| 42 | 1900-72120 | SPRING | 1 | | 113 | 2175-84300 | • CABLE COMP | 1 | |
| 43 | 00263-90520 | SCREW | 2 | | 114 | 1638-84170 | • SPRING | 1 | |
| 44 | 1670-15110 | MUFFLER | 1 | | 115 | 1638-84180 | • SPRING | 1 | |
| 45 | 00263-90512 | SCREW | 1 | | 116 | 00263-60620 | • SCREW | 1 | |
| 46 | 1650-15150 | BOLT | 1 | | 117 | 1638-84190 | • NUT | 1 | |
| 47 | 1670-15210 | COVER | 1 | | 118 | 00260-60535 | • SCREW | 1 | |
| 48 | 3310-12281 | BOLT | 1 | | 119 | 1638-84210 | • NUT | 1 | |
| 49 | 3350-21320 | BOLT | 1 | | 120 | 1638-84220 | • SCREW | 1 | |
| 50 | 1650-31112 | COVER | 1 | | 121 | 2116-85000 | TANK ASSY | 1 | |
| 51 | 1100-72120 | GROMMET | 1 | | 122 | 2116-85201 | • CAP ASSY | 1 | |
| 52 | 3310-12281 | BOLT | 4 | | 123 | 2116-85300 | •• VALVE COMP | 1 | |
| 53 | 3540-93110 | STAND | 1 | | 124 | 1600-85322 | ••• PACKING | 1 | |
| 54 | 3310-31720 | BOLT | 2 | | 125 | 3317-57242 | •• STOPPER | 1 | |
| 55 | 1670-32113 | COVER | 1 | | 126 | 1606-85400 | • PIPE COMP | 1 | |
| 56 | 00263-90512 | SCREW | 1 | | 127 | 3302-85400 | • FILTER ASSY | 1 | |
| 57 | 00263-90520 | SCREW | 1 | | 128 | 1260-85460 | • CLIP | 1 | |
| 58 | 1670-33110 | GUARD | 1 | | 129 | 1606-85601 | • PUMP COMP | 1 | |
| 59 | 1630-72150 | GROMMET | 1 | | 130 | 1606-85610 | •• PUMP | 1 | |
| 60 | 2116-71240 | CORD | 1 | | 131 | 1600-85620 | •• GROMMET | 1 | |
| 61 | 2116-71250 | CORD,earth | 1 | | 132 | 1600-85630 | •• JOINT | 1 | |
| 62 | 1216-73110 | SPARKPLUG | 1 | RCJ-6Y | 133 | 1000-03095 | •• TUBE | 1 | |
| 63 | 1600-75000 | STARTER ASSY | 1 | | 134 | 1600-85651 | •• VALVE | 1 | |
| 64 | 1600-75101 | • RECOIL ASSY | 1 | | 135 | 1600-86110 | WASHER | 3 | |
| 65 | 1600-75120 | •• REEL ASSY | 1 | | 136 | 1600-86120 | SCREW | 3 | |
| 66 | 1600-75130 | •• SPRING | 1 | | 137 | 1660-31121 | LABEL | 1 | |
| 67 | 1600-75151 | •• SCREW | 1 | | 138 | 1654-75411 | LABEL | 1 | |
| 68 | 1600-75160 | •• ROPE | 1 | | | | | | |
| 69 | 1140-75320 | •• KNOB | 1 | | | | | | |
| 70 | 1600-75180 | •• TAPE | 1 | | | | | | |
| 71 | 1600-75201 | • PULLEY ASSY | 1 | | | | | | |

PARTS LIST

BRUSHCUTTERS

BC430WE

NOTE :

1. Use KOMATSU ZENOAH genuine parts specified in the parts list for repair and/or replacement.
2. KOMATSU ZENOAH does not warrant the machines, those which have been damaged by the use of any parts other than those specified by the company.
3. When placing orders of parts for repair and/or replacement, check if the model name and the serial number are suitable to those specified in the parts list, then use parts number described in the parts list.
4. The contents described in the parts list are as of July 1997 may change due to improvement.
5. The parts for the machine shall be supplied within ten (10) years after the machine is discontinued. [It is possible that some specific parts may be subject to change of their delivery term and list price within the limit of ten (10) years after the machine is discontinued. And it is also possible that some parts may be available even after the limit of ten (10) years.]

BC430WE

Fig.1 CUTTER GROUP

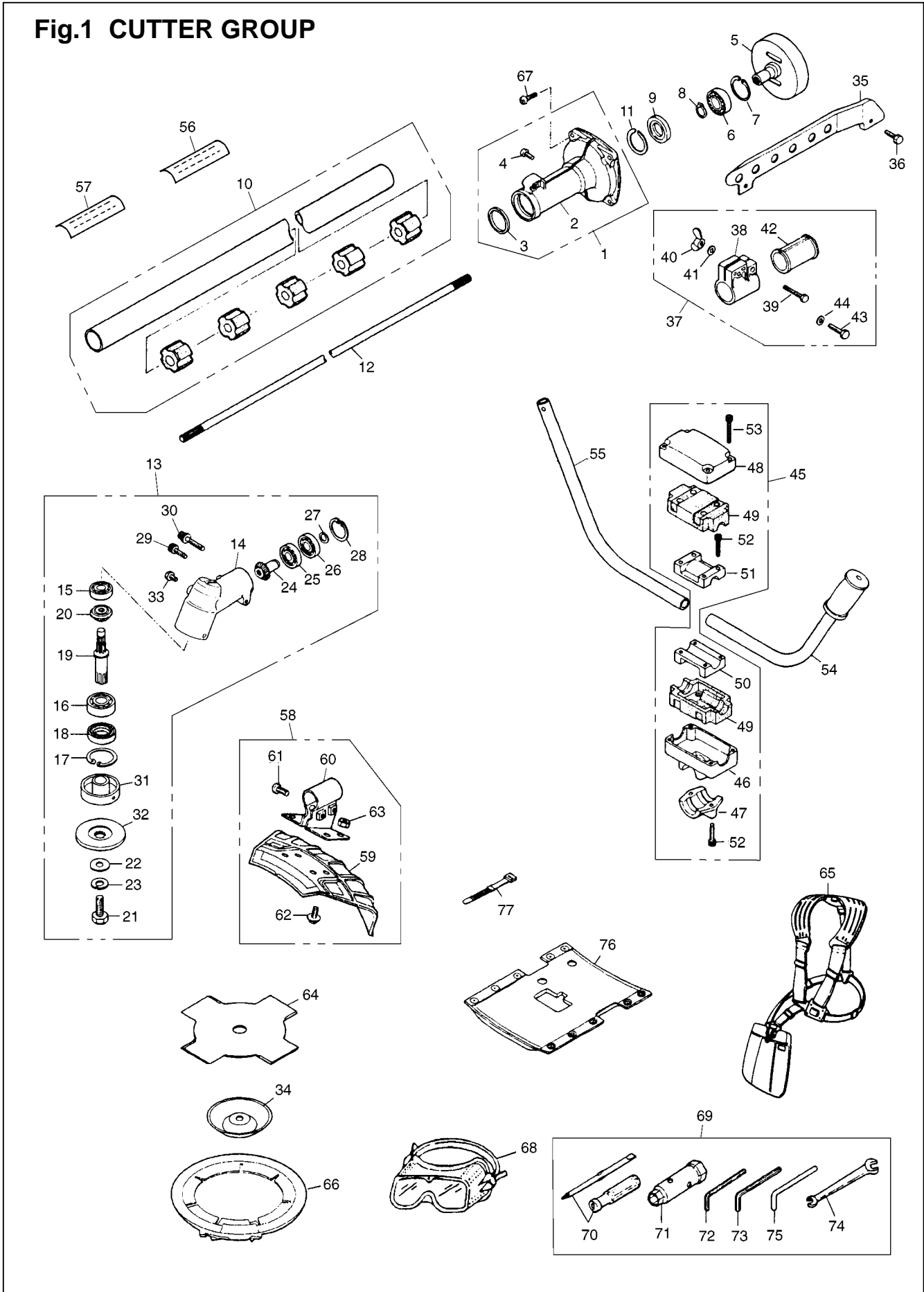


Fig.1 CUTTER GROUP

| Key# | PART NUMBER | DESCRIPTION | Q'TY /UNIT | NOTE | Key# | PART NUMBER | DESCRIPTION | Q'TY /UNIT | NOTE |
|------|-------------|---------------|------------|------|------|-------------|---------------|------------|------|
| 1 | 3540-11102 | HOUSING COMP | 1 | | 56 | 5766-12510 | PLATE,name | 1 | |
| 2 | 3540-11112 | •HOUSING | 1 | | 57 | 6425-12552 | PLATE,caution | 1 | |
| 3 | 3144-11150 | •SEAL | 1 | | 58 | 5766-24000 | GUARD ASSY | 1 | |
| 4 | 00263-20610 | •SCREW | 1 | | 59 | 5766-24110 | •GUARD | 1 | |
| 5 | 3540-11311 | DRUM | 1 | | 60 | 3231-24120 | •BRACKET | 1 | |
| 6 | 06004-06202 | BEARING | 1 | | 61 | 00225-10620 | •BOLT | 2 | |
| 7 | 04065-03515 | RING | 1 | | 62 | 00263-30614 | •SCREW | 4 | |
| 8 | 04064-01510 | RING | 1 | | 63 | 00280-10605 | •NUT | 4 | |
| 9 | 3540-11410 | SPACER | 1 | | 64 | 6298-14343 | SAW | 1 | |
| 10 | 6340-12101 | PIPE COMP | 1 | | 65 | 6220-17201 | HARNES ASSY | 1 | |
| 11 | 3260-11410 | •RING | 1 | | 66 | 6251-15910 | COVER,blade | 1 | |
| 12 | 6340-12210 | SHAFT | 1 | | 67 | 6468-91150 | BOLT | 4 | |
| 13 | 5766-13000 | GEARCASE ASSY | 1 | | 68 | 6242-92110 | GOGGLE | 1 | |
| 14 | 5766-13110 | •GEARCASE | 1 | | 69 | 3542-91000 | TOOL SET | 1 | |
| 15 | 06000-06000 | •BEARING | 1 | | 70 | 1030-91340 | •DRIVER | 1 | |
| 16 | 06000-06202 | •BEARING | 1 | | 71 | 3144-91160 | •SOCKET | 1 | |
| 17 | 04065-03515 | •RING | 1 | | 72 | 09007-00425 | •WRENCH | 1 | |
| 18 | 3130-13141 | •SEAL | 1 | | 73 | 09007-00528 | •WRENCH | 1 | |
| 19 | 3540-13212 | •SHAFT,gear | 1 | | 74 | 3540-91120 | •SPANNER | 1 | |
| 20 | 3540-13220 | •GEAR | 1 | | 75 | 3540-91110 | •BAR | 1 | |
| 21 | 3540-13290 | •BOLT | 1 | | 76 | 3523-17112 | PROTECTOR | 1 | |
| 22 | 01643-31032 | •WASHER | 1 | | 77 | 3540-93120 | BAND | 1 | |
| 23 | 3544-13280 | •WASHER | 1 | | | | | | |
| 24 | 3540-13311 | •PINION | 1 | | | | | | |
| 25 | 06000-06001 | •BEARING | 1 | | | | | | |
| 26 | 06001-06001 | •BEARING | 1 | | | | | | |
| 27 | 3130-13270 | •RING | 1 | | | | | | |
| 28 | 04065-02812 | •RING | 1 | | | | | | |
| 29 | 01252-30510 | •BOLT | 1 | | | | | | |
| 30 | 3540-13260 | •BOLT | 1 | | | | | | |
| 31 | 3540-13241 | •HOLDER(A) | 1 | | | | | | |
| 32 | 3540-13251 | •HOLDER(B) | 1 | | | | | | |
| 33 | 00224-40610 | •BOLT | 1 | | | | | | |
| 34 | 3540-13283 | COVER | 1 | | | | | | |
| 35 | 6550-11420 | HANGER | 1 | | | | | | |
| 36 | 00225-10616 | BOLT | 1 | | | | | | |
| 37 | 3540-11441 | BRACKET COMP | 1 | | | | | | |
| 38 | 3540-11432 | •BRACKET | 1 | | | | | | |
| 39 | 00224-0635 | •BOLT | 1 | | | | | | |
| 40 | 3540-11460 | •NUT | 1 | | | | | | |
| 41 | 01642-20608 | •WASHER | 1 | | | | | | |
| 42 | 3540-11450 | •SPACER | 1 | | | | | | |
| 43 | 00224-00625 | •BOLT | 1 | | | | | | |
| 44 | 01642-20608 | •WASHER | 1 | | | | | | |
| 45 | 3540-14900 | BRACKET ASSY | 1 | | | | | | |
| 46 | 3540-14910 | •BRACKET | 1 | | | | | | |
| 47 | 3540-14920 | •CAP-L | 1 | | | | | | |
| 48 | 3540-14930 | •CAP-U | 1 | | | | | | |
| 49 | 3540-14140 | •ABSORBER | 2 | | | | | | |
| 50 | 3450-14150 | •CLAMP-A | 1 | | | | | | |
| 51 | 3540-14160 | •CLAMP-B | 1 | | | | | | |
| 52 | 01252-30525 | •BOLT | 6 | | | | | | |
| 53 | 01252-30530 | •BOLT | 4 | | | | | | |
| 54 | 6465-14200 | HANDLE-L | 1 | | | | | | |
| 55 | 6350-14230 | HANDLE-R | 1 | | | | | | |

Fig.2 ENGINE GROUP

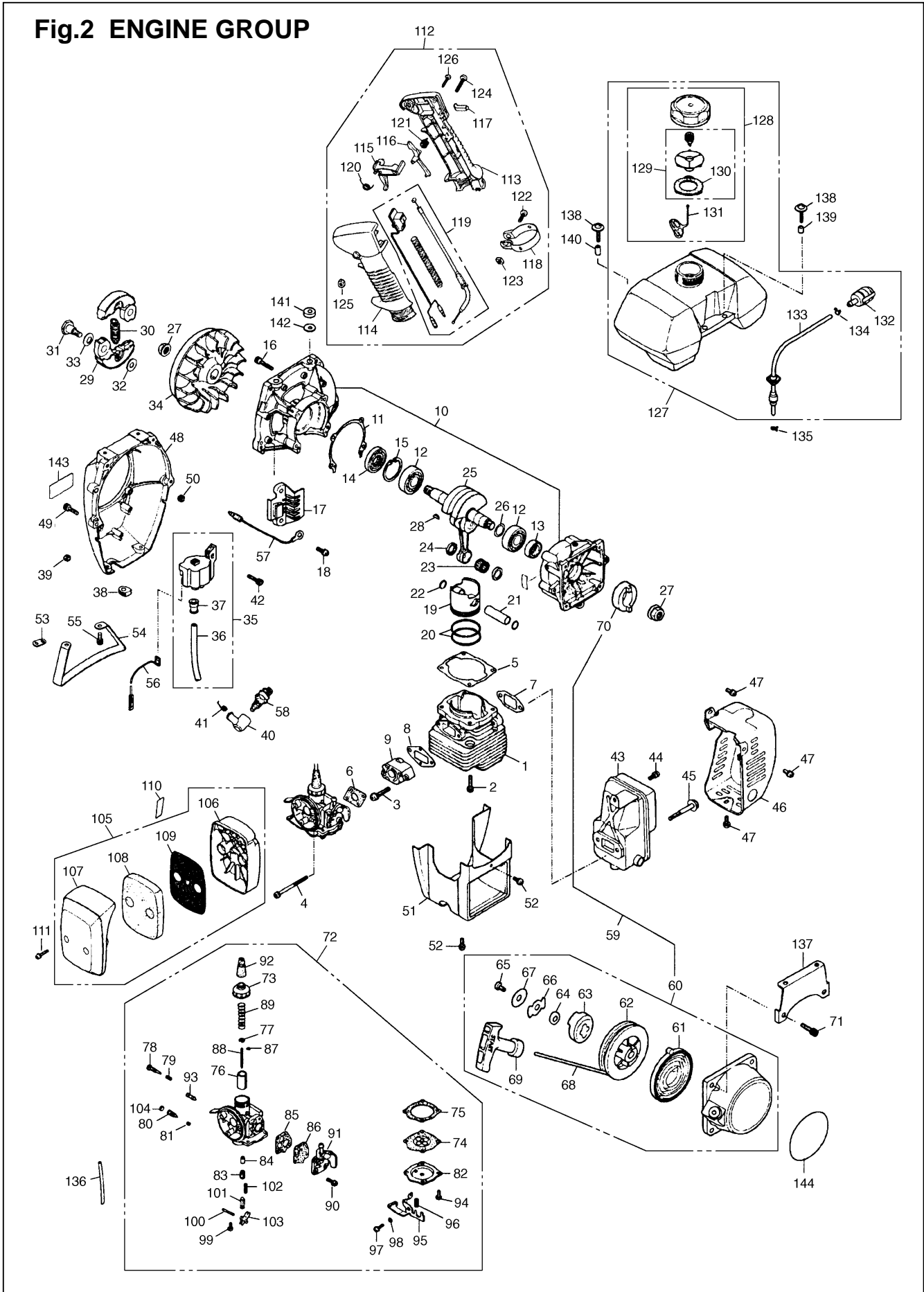


Fig.2 ENGINE GROUP

| Key# | PART NUMBER | DESCRIPTION | Q'TY /UNIT | NOTE | Key# | PART NUMBER | DESCRIPTION | Q'TY /UNIT | NOTE |
|------|-------------|-----------------|------------|--------|------|---------------|------------------|------------|------|
| 1 | 1400-12113 | CYLINDER | 1 | | 73 | 1650-81122 | • CAP | 1 | |
| 2 | 3310-12281 | BOLT | 4 | | 74 | 1420-81480 | • DIAPHRAGM ASSY | 1 | |
| 3 | 00260-30525 | SCREW | 2 | | 75 | 1101-81950 | • PACKING | 1 | |
| 4 | 00260-30540 | SCREW | 2 | | 76 | 1420-81150 | • VALVE | 1 | |
| 5 | 1400-13121 | GASKET | 1 | | 77 | 1335-81070 | • RECEIVE | 1 | |
| 6 | 1420-13130 | GASKET | 1 | | 78 | 1038-81001-29 | • SCREW | 1 | |
| 7 | 1400-13142 | GASKET | 1 | | 79 | 1650-81260 | • SPRING | 1 | |
| 8 | 1400-13150 | GASKET | 1 | | 80 | 1420-81271 | • SCREW | 1 | |
| 9 | 1420-13160 | INSULATOR | 1 | | 81 | 1420-81370 | • SPRING | 1 | |
| 10 | 1400-21100 | CRANKCASE COMP | 1 | | 82 | 1420-81490 | • COVER | 1 | |
| 11 | 1400-21140 | GASKET | 1 | | 83 | 1420-81420 | • HOLDER | 1 | |
| 12 | 06030-06202 | BEARING | 2 | | 84 | 1420-81410 | • JET | 1 | |
| 13 | 1520-21220 | SEAL | 1 | | 85 | 1420-81730 | • PACKING | 1 | |
| 14 | 1400-21220 | SEAL | 1 | | 86 | 1420-81720 | • PUMP | 1 | |
| 15 | 04065-03515 | RING | 4 | | 87 | 1101-81190 | • CLIP | 1 | |
| 16 | 01252-30530 | BOLT | 1 | | 88 | 1580-81180 | • NEEDLE | 1 | |
| 17 | 2155-21311 | GUARD | 1 | | 89 | 1335-81060 | • SPRING | 1 | |
| 18 | 00263-90514 | SCREW | 2 | | 90 | 00260-10310 | • SCREW | 4 | |
| 19 | 1400-41111 | PISTON | 1 | | 91 | 1422-81800 | • COVER ASSY | 1 | |
| 20 | 1400-41220 | RING | 2 | | 92 | 1141-81120 | • CAP | 1 | |
| 21 | 1400-41310 | PIN | 1 | | 93 | 1130-81170 | • VALVE | 1 | |
| 22 | 3350-41320 | RING | 2 | | 94 | 00260-10308 | • SCREW | 4 | |
| 23 | 1400-41410 | BEARING | 1 | | 95 | 1420-81510 | • LEVER | 1 | |
| 24 | 2616-41510 | WASHER | 2 | | 96 | 1420-81520 | • SPRING | 1 | |
| 25 | 1400-42002 | CRANKSHAFT COMP | 1 | | 97 | 00260-00408 | • SCREW | 1 | |
| 26 | 1300-42410 | SHIM | 0~1 | | 98 | 1420-81530 | • COLLAR | 1 | |
| 27 | 1400-43230 | NUT | 2 | | 99 | 00260-00306 | • SCREW | 1 | |
| 28 | 1000-43240 | KEY | 1 | | 100 | 1100-81461 | • PIN | 1 | |
| 29 | 1075-51113 | SHOE | 2 | | 101 | 1100-81440 | • VALVE | 2 | |
| 30 | 1075-51220 | SPRING | 1 | | 102 | 1420-81430 | • SPRING | 1 | |
| 31 | 1200-51211 | SCREW | 2 | | 103 | 1420-81450 | • LEVER | 1 | |
| 32 | 1200-51230 | WASHER | 2 | | 104 | 1420-81620 | • PLATE | 1 | |
| 33 | 1200-51240 | WASHER | 2 | | 105 | 1400-82001 | CLEANER ASSY | 1 | |
| 34 | 2073-71110 | ROTOR | 1 | | 106 | 1400-82112 | • BODY | 1 | |
| 35 | 2155-71200 | COIL ASSY | 1 | | 107 | 1400-82120 | • COVER | 1 | |
| 36 | 2155-71220 | • CORD,high | 1 | | 108 | 1418-82130 | • ELEMENT | 1 | |
| 37 | 2616-71320 | • CAP | 1 | | 109 | 1400-82140 | • SCREEN | 1 | |
| 38 | 5500-72130 | GROMMET | 1 | | 110 | 1133-82060 | LABEL | 1 | |
| 39 | 1100-72120 | GROMMET | 1 | | 111 | 00260-30422 | SCREW | 2 | |
| 40 | 1900-72111 | CAP | 1 | | 112 | 2175-84000 | LEVER ASSY | 1 | |
| 41 | 1900-72120 | SPRING | 1 | | 113 | 1638-84110 | GRIP-R | 1 | |
| 42 | 00263-90520 | SCREW | 2 | | 114 | 1638-84120 | GRIP-L | 1 | |
| 43 | 1400-15111 | MUFFLER | 1 | | 115 | 1638-84130 | • LEVER | 1 | |
| 44 | 00263-90512 | SCREW | 1 | | 116 | 1638-84140 | • LEVER | 1 | |
| 45 | 1400-15150 | BOLT | 1 | | 117 | 1638-84150 | • LOCK | 1 | |
| 46 | 1400-15410 | COVER,muffler | 1 | | 118 | 1638-84160 | • BAND | 1 | |
| 47 | 00263-90512 | SCREW | 3 | | 119 | 2175-84300 | • CABLE COMP | 1 | |
| 48 | 1400-31113 | COVER | 1 | | 120 | 1638-84170 | • SPRING | 1 | |
| 49 | 3310-12281 | BOLT | 4 | | 121 | 1638-84180 | • SPRING | 1 | |
| 50 | 1100-72120 | GROMMET | 1 | | 122 | 00263-60620 | • SCREW | 1 | |
| 51 | 1462-32111 | COVER | 1 | | 123 | 1638-84190 | • NUT | 1 | |
| 52 | 00263-90512 | SCREW | 2 | | 124 | 00260-60535 | • SCREW | 1 | |
| 53 | 1600-86130 | CLAMP | 1 | | 125 | 1638-84210 | • NUT | 1 | |
| 54 | 3540-93110 | STAND | 1 | | 126 | 1638-84220 | • SCREW | 1 | |
| 55 | 3310-31720 | BOLT | 2 | | 127 | 1439-85000 | TANK ASSY | 1 | |
| 56 | 2215-71240 | CORD | 1 | | 128 | 2116-85201 | • CAP ASSY | 1 | |
| 57 | 2116-71250 | CORD,earth | 1 | | 129 | 2116-85300 | •• VALVE COMP | 1 | |
| 58 | 1216-73110 | SPARKPLUG | 1 | RCJ-6Y | 130 | 1600-85322 | ••• PACKING | 1 | |
| 59 | 1487-75000 | STARTER ASSY | 1 | | 131 | 3317-57242 | •• STOPPER | 1 | |
| 60 | 1487-75100 | • RECOIL ASSY | 1 | | 132 | 1435-85401 | • FILTER ASSY | 1 | |
| 61 | 1180-75221 | •• SPRING | 1 | | 133 | 1421-85400 | • PUMP COMP | 1 | |
| 62 | 1487-75120 | •• REEL | 1 | | 134 | 1260-85460 | • CLIP | 1 | |
| 63 | 1487-75140 | •• DOG | 1 | | 135 | 1063-86130 | CLIP | 1 | |
| 64 | 1861-75150 | •• WASHER | 1 | | 136 | 1420-86180 | PIPE | 1 | |
| 65 | 1483-75270 | •• SCREW | 1 | | 137 | 1400-86214 | SUPPORT | 1 | |
| 66 | 1487-75160 | •• RETAINER | 1 | | 138 | 1600-86120 | SCREW | 4 | |
| 67 | 1487-75170 | •• WASHER | 1 | | 139 | 1400-86250 | COLLAR | 2 | |
| 68 | 1400-75160 | •• ROPE | 1 | | 140 | 1400-86260 | COLLAR | 2 | |
| 69 | 1400-75170 | •• KNOB | 1 | | 141 | 1400-86271 | CUSHION | 2 | |
| 70 | 1487-75211 | • PULLEY ASSY | 1 | | 142 | 1400-86280 | WASHER | 2 | |
| 71 | 00263-90520 | SCREW | 1 | | 143 | 1970-31150 | LABEL | 1 | |
| 72 | 1436-81000 | CARBURETOR ASSY | 1 | | 144 | 1400-75412 | LABEL | 1 | |

PARTS LIST

BRUSHCUTTERS

BC530WE

NOTE :

1. Use KOMATSU ZENOAH genuine parts specified in the parts list for repair and/or replacement.
2. KOMATSU ZENOAH does not warrant the machines, those which have been damaged by the use of any parts other than those specified by the company.
3. When placing orders of parts for repair and/or replacement, check if the model name and the serial number are suitable to those specified in the parts list, then use parts number described in the parts list.
4. The contents described in the parts list are as of July 1997 may change due to improvement.
5. The parts for the machine shall be supplied within ten (10) years after the machine is discontinued. [It is possible that some specific parts may be subject to change of their delivery term and list price within the limit of ten (10) years after the machine is discontinued. And it is also possible that some parts may be available even after the limit of ten (10) years.]

BC530WE

Fig.1 CUTTER GROUP

| Key# | PART NUMBER | DESCRIPTION | Q'TY /UNIT | NOTE | Key# | PART NUMBER | DESCRIPTION | Q'TY /UNIT | NOTE |
|------|-------------|---------------|------------|------|------|-------------|---------------|------------|------|
| 1 | 3540-11102 | HOUSING COMP | 1 | | 56 | 5767-12510 | PLATE,name | 1 | |
| 2 | 3540-11112 | •HOUSING | 1 | | 57 | 6425-12552 | PLATE,caution | 1 | |
| 3 | 3144-11150 | •SEAL | 1 | | 58 | 5766-24000 | GUARD ASSY | 1 | |
| 4 | 00263-20610 | •SCREW | 1 | | 59 | 5766-24110 | •GUARD | 1 | |
| 5 | 3540-11311 | DRUM | 1 | | 60 | 3231-24120 | •BRACKET | 1 | |
| 6 | 06004-06202 | BEARING | 1 | | 61 | 00225-10620 | •BOLT | 2 | |
| 7 | 04065-03515 | RING | 1 | | 62 | 00263-30614 | •SCREW | 4 | |
| 8 | 04064-01510 | RING | 1 | | 63 | 00280-10605 | •NUT | 4 | |
| 9 | 3540-11410 | SPACER | 1 | | 64 | 6298-14343 | SAW | 1 | |
| 10 | 6340-12101 | PIPE COMP | 1 | | 65 | 6220-17201 | HARNES ASSY | 1 | |
| 11 | 3260-11410 | •RING | 1 | | 66 | 6251-15910 | COVER,blade | 1 | |
| 12 | 6340-12210 | SHAFT | 1 | | 67 | 6468-91150 | BOLT | 4 | |
| 13 | 5766-13000 | GEARCASE ASSY | 1 | | 68 | 6242-92110 | GOGGLE | 1 | |
| 14 | 5766-13110 | •GEARCASE | 1 | | 69 | 3542-91000 | TOOL SET | 1 | |
| 15 | 06000-06000 | •BEARING | 1 | | 70 | 1030-91340 | •DRIVER | 1 | |
| 16 | 06000-06202 | •BEARING | 1 | | 71 | 3144-91160 | •SOCKET | 1 | |
| 17 | 04065-03515 | •RING | 1 | | 72 | 09007-00425 | •WRENCH | 1 | |
| 18 | 3130-13141 | •SEAL | 1 | | 73 | 09007-00528 | •WRENCH | 1 | |
| 19 | 3540-13212 | •SHAFT,gear | 1 | | 74 | 3540-91120 | •SPANNER | 1 | |
| 20 | 3540-13220 | •GEAR | 1 | | 75 | 3540-91110 | •BAR | 1 | |
| 21 | 3540-13290 | •BOLT | 1 | | 76 | 3523-17112 | PROTECTOR | 1 | |
| 22 | 01643-31032 | •WASHER | 1 | | 77 | 3540-93120 | BAND | 1 | |
| 23 | 3544-13280 | •WASHER | 1 | | | | | | |
| 24 | 3540-13311 | •PINION | 1 | | | | | | |
| 25 | 06000-06001 | •BEARING | 1 | | | | | | |
| 26 | 06001-06001 | •BEARING | 1 | | | | | | |
| 27 | 3130-13270 | •RING | 1 | | | | | | |
| 28 | 04065-02812 | •RING | 1 | | | | | | |
| 29 | 01252-30510 | •BOLT | 1 | | | | | | |
| 30 | 3540-13260 | •BOLT | 1 | | | | | | |
| 31 | 3540-13241 | •HOLDER(A) | 1 | | | | | | |
| 32 | 3540-13251 | •HOLDER(B) | 1 | | | | | | |
| 33 | 00224-40610 | •BOLT | 1 | | | | | | |
| 34 | 3540-13283 | COVER | 1 | | | | | | |
| 35 | 6550-11420 | HANGER | 1 | | | | | | |
| 36 | 00225-10616 | BOLT | 1 | | | | | | |
| 37 | 3540-11441 | BRACKET COMP | 1 | | | | | | |
| 38 | 3540-11432 | •BRACKET | 1 | | | | | | |
| 39 | 00224-0635 | •BOLT | 1 | | | | | | |
| 40 | 3540-11460 | •NUT | 1 | | | | | | |
| 41 | 01642-20608 | •WASHER | 1 | | | | | | |
| 42 | 3540-11450 | •SPACER | 1 | | | | | | |
| 43 | 00224-00625 | •BOLT | 1 | | | | | | |
| 44 | 01642-20608 | •WASHER | 1 | | | | | | |
| 45 | 3540-14900 | BRACKET ASSY | 1 | | | | | | |
| 46 | 3540-14910 | •BRACKET | 1 | | | | | | |
| 47 | 3540-14920 | •CAP-L | 1 | | | | | | |
| 48 | 3540-14930 | •CAP-U | 1 | | | | | | |
| 49 | 3540-14140 | •ABSORBER | 2 | | | | | | |
| 50 | 3450-14150 | •CLAMP-A | 1 | | | | | | |
| 51 | 3540-14160 | •CLAMP-B | 1 | | | | | | |
| 52 | 01252-30525 | •BOLT | 6 | | | | | | |
| 53 | 01252-30530 | •BOLT | 4 | | | | | | |
| 54 | 6465-14200 | HANDLE-L | 1 | | | | | | |
| 55 | 6350-14230 | HANDLE-R | 1 | | | | | | |

Fig.2 ENGINE GROUP

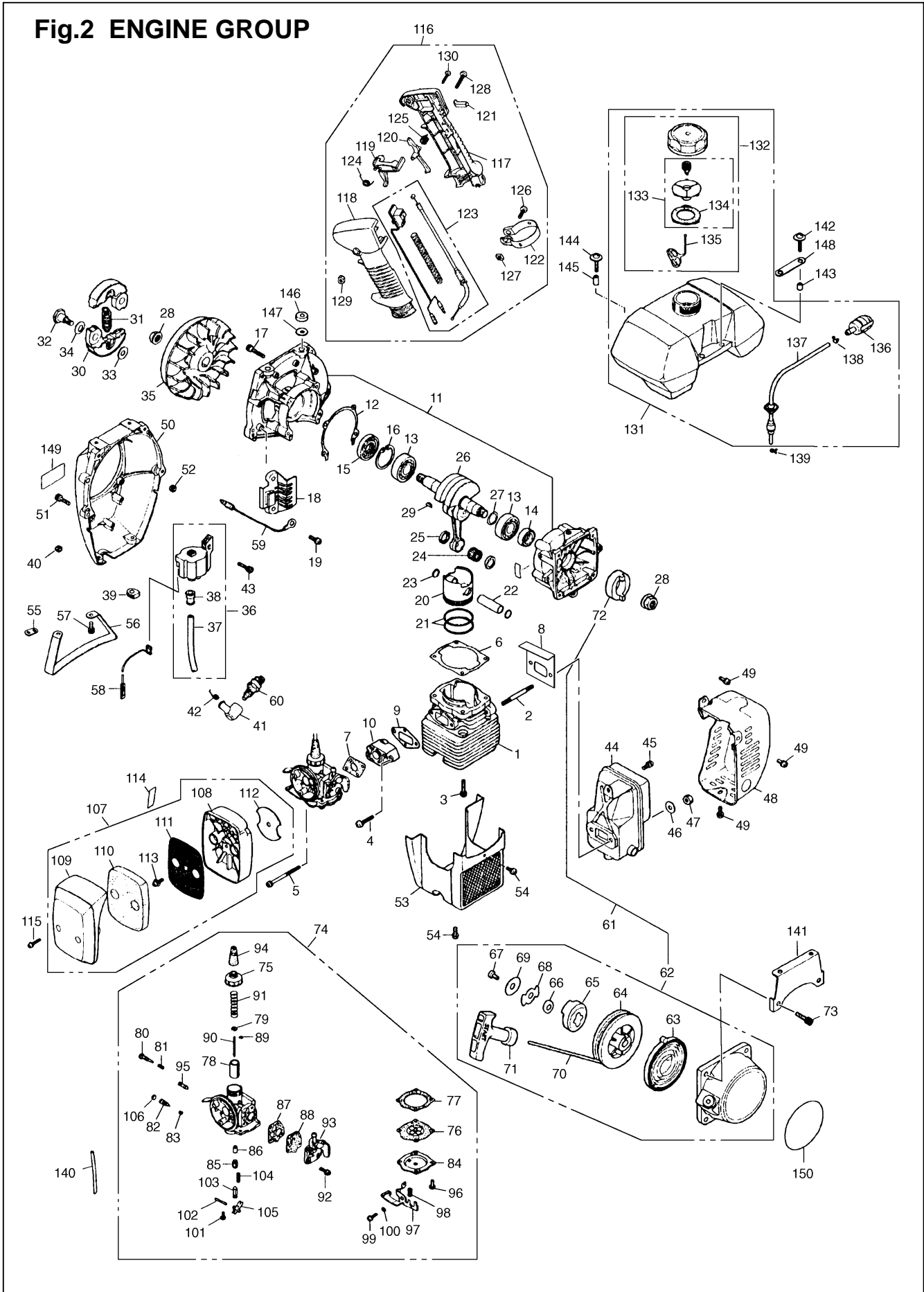


Fig.2 ENGINE GROUP

| Key# | PART NUMBER | DESCRIPTION | Q'TY /UNIT | NOTE | Key# | PART NUMBER | DESCRIPTION | Q'TY /UNIT | NOTE |
|------|-------------|-----------------|------------|--------|------|---------------|------------------|------------|------|
| 1 | 1580-12111 | CYLINDER | 1 | | 76 | 1580-81480 | • DIAPHRAGM ASSY | 1 | |
| 2 | 1580-12150 | STUD | 2 | | 77 | 1101-81950 | • PACKING | 1 | |
| 3 | 3310-12281 | BOLT | 4 | | 78 | 1420-81150 | • VALVE | 1 | |
| 4 | 00260-30525 | SCREW | 2 | | 79 | 1335-81070 | • RECEIVE | 1 | |
| 5 | 00260-30550 | SCREW | 2 | | 80 | 1038-81001-29 | • SCREW | 1 | |
| 6 | 1400-13121 | GASKET | 1 | | 81 | 1650-81260 | • SPRING | 1 | |
| 7 | 1420-13130 | GASKET | 1 | | 82 | 1420-81271 | • SCREW | 1 | |
| 8 | 1580-13140 | GASKET | 1 | | 83 | 1420-81370 | • SPRING | 1 | |
| 9 | 1400-13150 | GASKET | 1 | | 84 | 1420-81490 | • COVER | 1 | |
| 10 | 1580-13160 | INSULATOR | 1 | | 85 | 1420-81420 | • HOLDER | 1 | |
| 11 | 1400-21100 | CRANKCASE COMP | 1 | | 86 | 1420-81410 | • JET | 1 | |
| 12 | 1400-21140 | GASKET | 1 | | 87 | 1420-81730 | • PACKING | 1 | |
| 13 | 06030-06202 | BEARING | 2 | | 88 | 1420-81720 | • PUMP | 1 | |
| 14 | 1520-21220 | SEAL | 1 | | 89 | 1101-81190 | • CLIP | 1 | |
| 15 | 1400-21220 | SEAL | 1 | | 90 | 1580-81180 | • NEEDLE | 1 | |
| 16 | 04065-03515 | RING | 4 | | 91 | 1335-81060 | • SPRING | 1 | |
| 17 | 01252-30530 | BOLT | 1 | | 92 | 00260-10310 | • SCREW | 4 | |
| 18 | 2155-21311 | GUARD | 1 | | 93 | 1422-81800 | • COVER ASSY | 1 | |
| 19 | 00263-90514 | SCREW | 2 | | 94 | 1141-81120 | • CAP | 1 | |
| 20 | 3360-41110 | PISTON | 1 | | 95 | 1130-81170 | • VALVE | 1 | |
| 21 | 3360-41211 | RING | 2 | | 96 | 00260-10308 | • SCREW | 4 | |
| 22 | 3360-41310 | PIN | 1 | | 97 | 1420-81510 | • LEVER | 1 | |
| 23 | 3350-41320 | RING | 2 | | 98 | 1420-81520 | • SPRING | 1 | |
| 24 | 1400-41410 | BEARING | 1 | | 99 | 00260-00408 | • SCREW | 1 | |
| 25 | 2670-41510 | WASHER | 2 | | 100 | 1420-81530 | • COLLAR | 1 | |
| 26 | 1400-42002 | CRANKSHAFT COMP | 1 | | 101 | 00260-00306 | • SCREW | 1 | |
| 27 | 1300-42410 | SHIM | 0~1 | | 102 | 1100-81461 | • PIN | 1 | |
| 28 | 1400-43230 | NUT | 2 | | 103 | 1100-81440 | • VALVE | 2 | |
| 29 | 1000-43240 | KEY | 1 | | 104 | 1420-81430 | • SPRING | 1 | |
| 30 | 1075-51113 | SHOE | 2 | | 105 | 1420-81450 | • LEVER | 1 | |
| 31 | 1075-51220 | SPRING | 1 | | 106 | 1420-81620 | • PLATE | 1 | |
| 32 | 1200-51211 | SCREW | 2 | | 107 | 1580-82000 | CLEANER ASSY | 1 | |
| 33 | 1200-51230 | WASHER | 2 | | 108 | 1400-82112 | • BODY | 1 | |
| 34 | 1200-51240 | WASHER | 2 | | 109 | 1400-82120 | • COVER | 1 | |
| 35 | 2073-71110 | ROTOR | 1 | | 110 | 1418-82130 | • ELEMENT | 1 | |
| 36 | 2155-71200 | COIL ASSY | 1 | | 111 | 1400-82140 | • SCREEN | 1 | |
| 37 | 2155-71220 | • CORD,high | 1 | | 112 | 1580-82150 | • PLATE | 1 | |
| 38 | 2616-71320 | • CAP | 1 | | 113 | 1580-82160 | • SCREW | 1 | |
| 39 | 5500-72130 | GROMMET | 1 | | 114 | 1133-82060 | LABEL | 1 | |
| 40 | 1100-72120 | GROMMET | 1 | | 115 | 00260-30422 | SCREW | 2 | |
| 41 | 1900-72111 | CAP | 1 | | 116 | 2175-84000 | LEVER ASSY | 1 | |
| 42 | 1900-72120 | SPRING | 1 | | 117 | 1638-84110 | GRIP-R | 1 | |
| 43 | 00263-90520 | SCREW | 2 | | 118 | 1638-84120 | GRIP-L | 1 | |
| 44 | 1400-15111 | MUFFLER | 1 | | 119 | 1638-84130 | • LEVER | 1 | |
| 45 | 00263-90512 | SCREW | 1 | | 120 | 1638-84140 | • LEVER | 1 | |
| 46 | 1140-51230 | WASHER | 1 | | 121 | 1638-84150 | • LOCK | 1 | |
| 47 | 1580-15230 | NUT | 1 | | 122 | 1638-84160 | • BAND | 1 | |
| 48 | 1400-15410 | COVER,muffler | 1 | | 123 | 2175-84300 | • CABLE COMP | 1 | |
| 49 | 00263-90512 | SCREW | 3 | | 124 | 1638-84170 | • SPRING | 1 | |
| 50 | 1400-31113 | COVER | 1 | | 125 | 1638-84180 | • SPRING | 1 | |
| 51 | 3310-12281 | BOLT | 4 | | 126 | 00263-60620 | • SCREW | 1 | |
| 52 | 1100-72120 | GROMMET | 1 | | 127 | 1638-84190 | • NUT | 1 | |
| 53 | 1462-32111 | COVER | 1 | | 128 | 00260-60535 | • SCREW | 1 | |
| 54 | 00263-90512 | SCREW | 2 | | 129 | 1638-84210 | • NUT | 1 | |
| 55 | 1600-86130 | CLAMP | 1 | | 130 | 1638-84220 | • SCREW | 1 | |
| 56 | 3540-93110 | STAND | 1 | | 131 | 1439-85000 | TANK ASSY | 1 | |
| 57 | 3310-31720 | BOLT | 2 | | 132 | 2116-85201 | • CAP ASSY | 1 | |
| 58 | 2155-71240 | CORD | 1 | | 133 | 2116-85300 | •• VALVE COMP | 1 | |
| 59 | 2116-71250 | CORD,earth | 1 | | 134 | 1600-85322 | ••• PACKING | 1 | |
| 60 | 1216-73110 | SPARKPLUG | 1 | RCJ-6Y | 135 | 3317-57242 | •• STOPPER | 1 | |
| 61 | 1487-75000 | STARTER ASSY | 1 | | 136 | 1435-85401 | • FITER ASSY | 1 | |
| 62 | 1487-75100 | • RECOIL ASSY | 1 | | 137 | 1421-85400 | • PUMP COMP | 1 | |
| 63 | 1180-75221 | •• SPRING | 1 | | 138 | 1260-85460 | • CLIP | 1 | |
| 64 | 1487-75120 | •• REEL | 1 | | 139 | 1063-86130 | CLIP | 1 | |
| 65 | 1487-75140 | •• DOG | 1 | | 140 | 1420-86180 | PIPE | 1 | |
| 66 | 1861-75150 | •• WASHER | 1 | | 141 | 1400-86214 | SUPPORT | 1 | |
| 67 | 1483-75270 | •• SCREW | 1 | | 142 | 00263-90520 | SCREW | 2 | |
| 68 | 1487-75160 | •• RETAINER | 1 | | 143 | 1400-86250 | COLLAR | 2 | |
| 69 | 1487-75170 | •• WASHER | 1 | | 144 | 1460-85250 | SCREW | 2 | |
| 70 | 1400-75160 | •• ROPE | 1 | | 145 | 1400-86260 | COLLAR | 2 | |
| 71 | 1400-75170 | •• KNOB | 1 | | 146 | 1400-86271 | CUSHION | 2 | |
| 72 | 1487-75211 | • PULLEY ASSY | 1 | | 147 | 1400-86280 | WASHER | 2 | |
| 73 | 00263-90520 | SCREW | 1 | | 148 | 1580-86290 | PLATE | 1 | |
| 74 | 1584-81000 | CARBURETOR ASSY | 1 | | 149 | 1660-31121 | LABEL | 1 | |
| 75 | 1650-81122 | • CAP | 1 | | 150 | 1580-75412 | LABEL | 1 | |



KOMATSU ZENOAH CO.

1-9 Minamidai, Kawagoe, Saitama, 350-1192 Japan
