



PARTS LIST

BRUSHCUTTERS

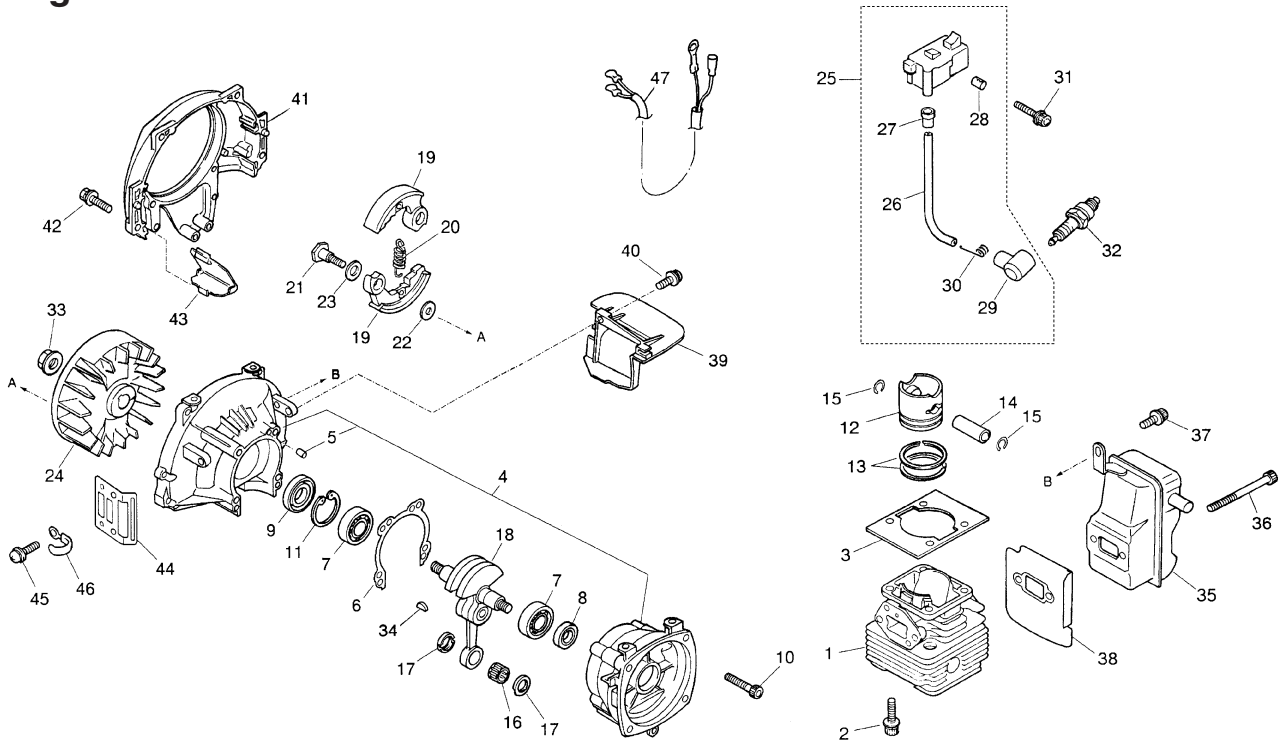
BC3410FW
BC4310FW

NOTE :

1. Use ZENOAH genuine parts specified in the parts list for repair and/or replacement.
2. ZENOAH does not warrant the machines, those which have been damaged by the use of any parts other than those specified by the company.
3. When placing orders of parts for repair and/or replacement, check if the model name and the serial number are suitable to those specified in the parts list, then use parts number described in the parts list.
4. The contents described in the parts list may change due to improvement.
5. The parts for the machine shall be supplied within ten (10) years after the machine is discontinued. [It is possible that some specific parts may be subject to change of their delivery term and list price within the limit of ten (10) years after the machine is discontinued. And it is also possible that some parts may be available even after the limit of ten (10) years.]

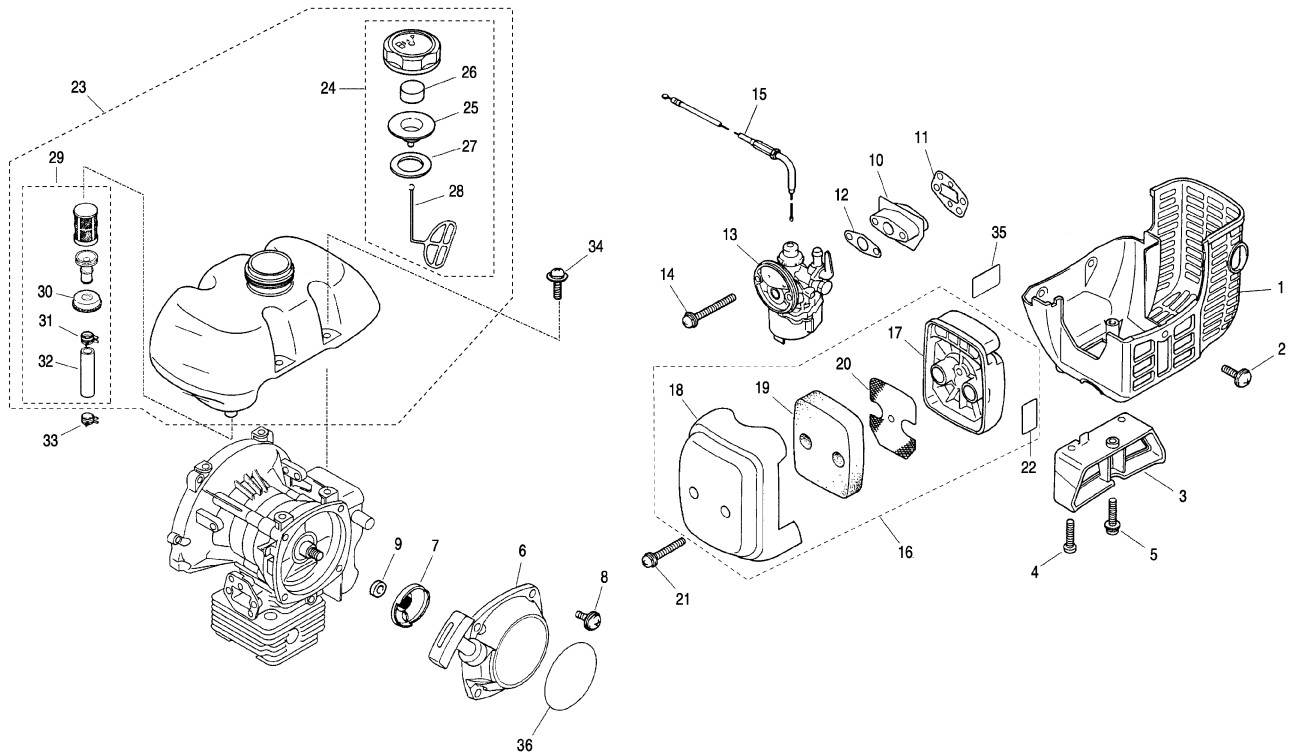
BC3410FW/BC4310FW

Fig.1 ENGINE UNIT



Key#	PART NUMBER	DESCRIPTION	Q'TY /UNIT	NOTE	Key#	PART NUMBER	DESCRIPTION	Q'TY /UNIT	NOTE
1A	T1151-12110	CYLINDER	1	BC3410	24	T1153-71110	ROTOR	1	
1B	4500-12110	CYLINDER	1	BC4310	25A	T1158-71200	COIL ASSY	1	BC3410
2	1850-12130	BOLT	4	M5xL22	25B	T1117-71200	COIL ASSY	1	BC4310
3	4500-13120	GASKET, cylinder	1		26	4570-71220	• CORD	1	
4	4500-21101	CRANKCASE COMP.	1		27	2616-71320	• CAP	1	
5	2629-21130	• PIN	3		28	T1153-71250	• PIN	2	
6	4500-21140	GASKET CASE	1		29	5500-72110	• CAP, plug	1	
7	06030-06201	BEARING	2		30	5500-72120	• SPRING	1	
8	4810-21210	OIL SEAL	1		31	3350-14150	BOLT	2	M4xL20
9	1650-21220	OIL SEAL	1		32	3699-90020-10	SPARK PLUG	1	CJ6Y
10	01252-30530	BOLT	4	M5xL30	33	1650-43230	NUT	1	M8
11	04065-03212	SNAP RING	1		34	1000-43240	KEY	1	
12A	4700-41110	PISTON	1	BC3410	35A	4770-15110	MUFFLER	1	BC3410
12B	4500-41110	PISTON	1	BC4310	35B	4570-15110	MUFFLER	1	BC4310
13A	1650-41210	RING	2	BC3410	36A	01252-30560	BOLT	2	BC3410
13B	1400-41220	RING	2	BC4310	36B	01252-30565	BOLT	2	BC4310
14A	1030-41310	PIN	1	BC3410	37	3310-31720	BOLT	1	M5xL14
14B	2850-41310	PIN	1	BC4310	38	T1048-15210	GASKET	1	
15	1300-41320	RING	2		39	4570-15220	PLATE	1	
16	T2100-41410	BEARING	1		40	0263-90514	SCREW	1	
17	2850-41510	WASHER	2		41	T1117-31111	COVER, fan	1	
18	4500-42000	CRANKSHAFT COMP.	1		42	3310-12281	BOLT	4	M5xL20
19A	1400-51111	SHOE, clutch	2	BC3410	43	4500-31210	PLATE	1	
19B	4500-51111	SHOE, clutch	2	BC4310	44	4500-22110	GUARD	1	
20A	1651-51220	SPRING	1	BC3410	45	0263-90514	SCREW	1	M5xL14
20B	4500-51220	SPRING	1	BC4310	46	8488K40010	CLAMP	1	
21	1200-51211	SCREW	2		47	T1085-71240	CORD COMP.	1	
22	1200-51230	WASHER	2						
23	1200-51241	WASHER	2						

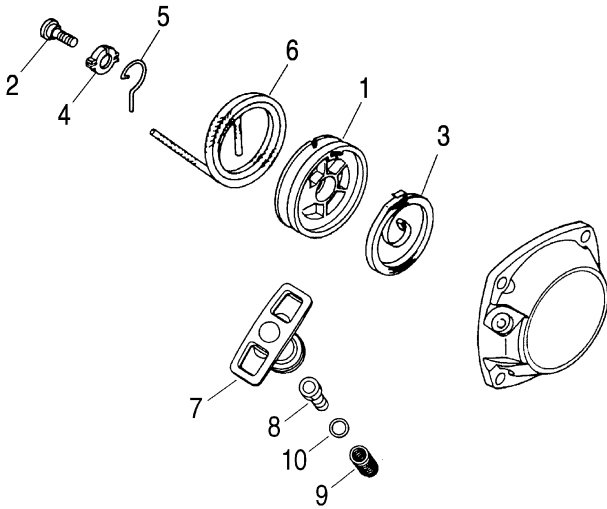
Fig.2 ENGINE UNIT



Key#	PART NUMBER	DESCRIPTION	Q'TY /UNIT	NOTE	Key#	PART NUMBER	DESCRIPTION	Q'TY /UNIT	NOTE
1	4570-32110	COVER	1		26	1030-85141	•• ELEMENT	1	
2	4500-32120	SCREW	3	M5xL12	27	4500-85220	•• PACKING	1	
3	4570-31900	STAND COMP.	1		28	3317-57242	•• STOPPER	1	
4	3356-32210	SCREW	2		29	1400-85104	• JOINT ASSY	1	
5	0263-90520	SCREW	1	M5xL20	30	1400-85141	•• GROMMET	1	
6	T1157-75100	RECOIL ASSY	1		31	1000-08050	•• TUBE	1	L50
7	4500-75210	PULLEY	1		32	1410-86130	•• CLIP	1	
8	4500-75511	SCREW	4	M6xL14	33	3073-86130	CLIP	1	
9	4700-75310	COLLAR	1		34	1600-86120	SCREW	4	M5xL22
10	4550-13160	INSULATOR	1		35	1660-31121	LABEL	1	
11	4500-13150	GASKET, insulator	1		36A	T1072-75410	LABEL, recoil	1	BC3410
12	4550-13130	GASKET, carburetor	1		36B	848G5390C1	LABEL, recoil	1	BC4310
13A	T1158-81000	CARB ASSY (G11P-1R)	1	BC3410					
13B	T1117-81000	CARB ASSY (G12P-1B)	1	BC4310					
14	0263-90565	SCREW	2	M5xL65					
15	1416-83100	CABLE COMP.	1						
16	4570-82000	CLEANER ASSY	1						
17	1400-82113	• BODY	1						
18	4570-82120	• COVER	1						
19	1418-82130	• ELEMENT	1						
20	1400-82141	• SCREEN	1						
21	4550-82150	SCREW	2	M4xL25					
22	1133-82060	LABEL	1						
23	848G7G8501	TANK ASSY	1						
24	2133-85302	• CAP ASSY	1						
25	4570-85230	•• CAP INNER	1						

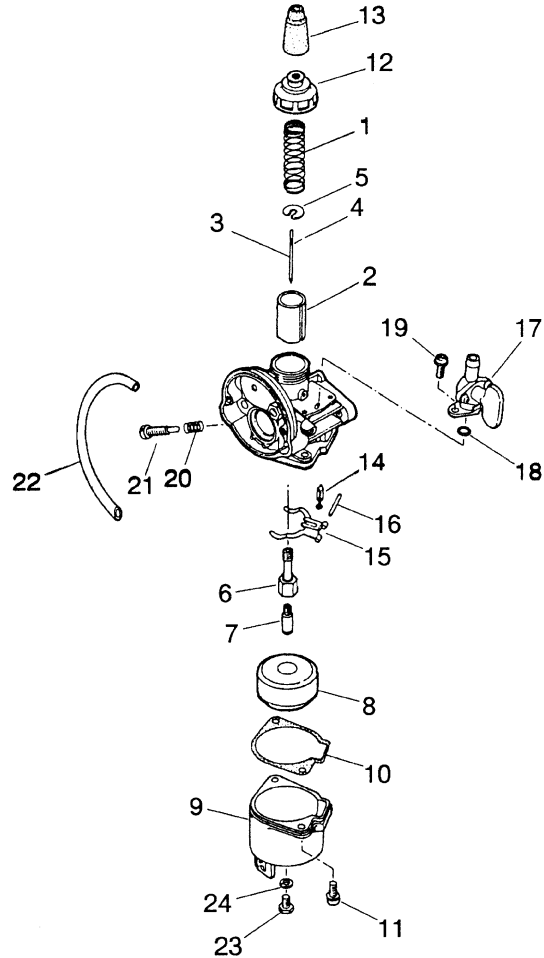
BC3410FW/BC4310FW

Fig.3 RECOIL STARTER



Key#	PART NUMBER	DESCRIPTION	Q'TY /UNIT	NOTE
	T1157-75100	RECOIL ASSY	1	
1	4500-75120	• REEL	1	
2	4500-75150	• SCREW	1	
3	1850-75130	• SPRING, spiral	1	
4	4500-75180	• COLLAR	1	
5	4500-75190	• SWING ARM	1	
6	4500-75160	• ROPE	1	ø3.5xL880
7	T1600-75310	• KNOB	1	
8	T1600-75321	• COLLAR	1	
9	T1157-75330	• SPRING	1	
10	4820-75210	• WASHER	1	

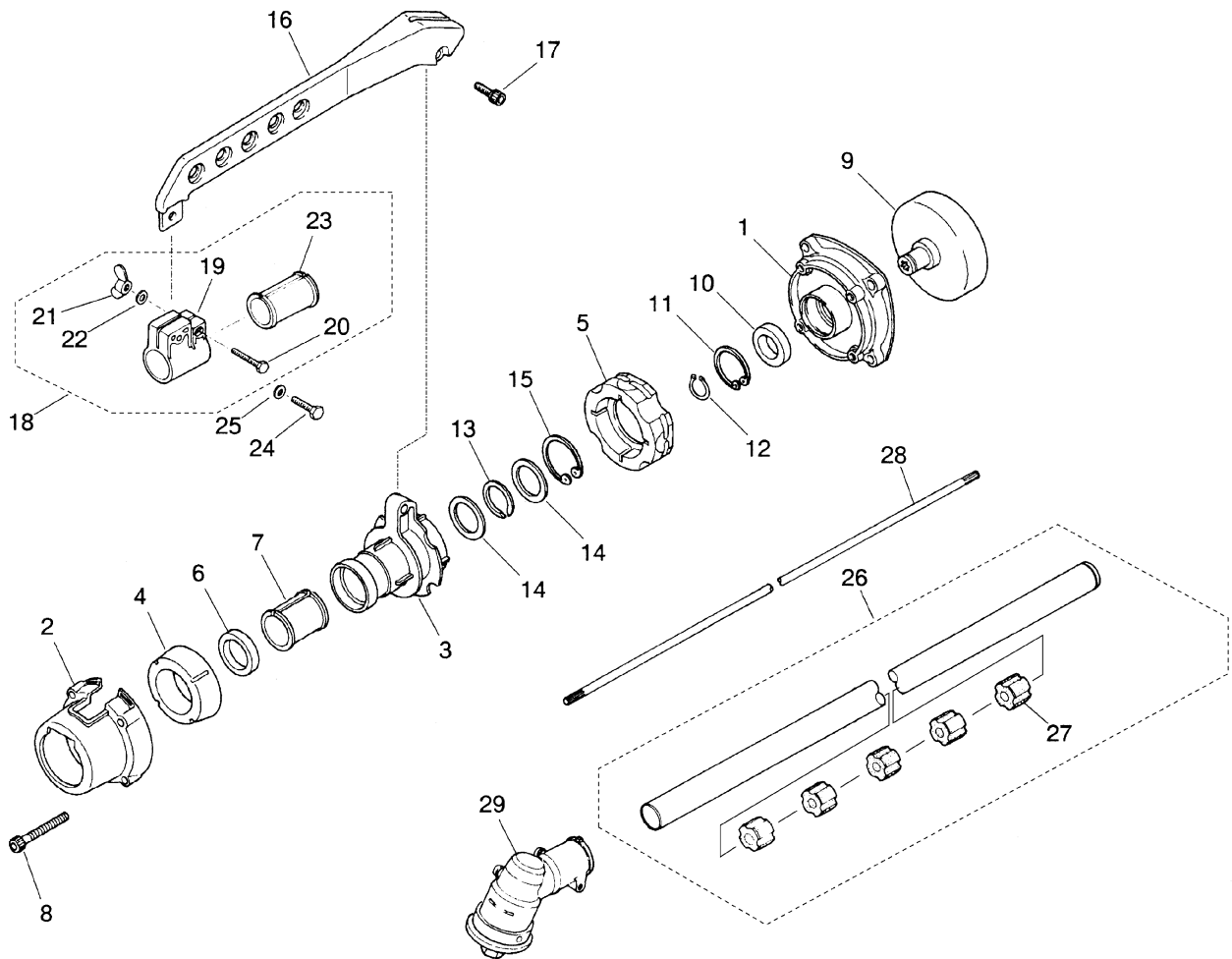
Fig.4 CARBURETOR



Key#	PART NUMBER	DESCRIPTION	Q'TY /UNIT	NOTE
A	T1158-81000	CARB ASSY (G11P-1R)	1	BC3410
B	T1117-81000	CARB ASSY (G12P-1B)	1	BC4310
1A	1030-81000-14	• SPRING, throttle	1	BC3410
1B	1335-81060	• SPRING, throttle	1	BC4310
2A	1660-81151	• VALVE, throttle	1	BC3410
2B	4550-81150	• VALVE, throttle	1	BC4310
3A	5993-81210	• NEEDLE, jet	1	BC3410
3B	1614-81210	• NEEDLE, jet	1	BC4310
4	1030-81000-16	• CLIP	1	
5A	1030-81000-17	• RECEIVE, spring	1	BC3410
5B	1335-81070	• RECEIVE, spring	1	BC4310
6	1400-81230	• JET, needle	1	
7A	1620-81240	• JET, main #62	1	BC3410
7B	4550-81240	• JET, main #67	1	BC4310
8	1335-81180	• FLOAT	1	
9	1400-81310	• CHAMBER, float	1	
10	1400-81320	• PACKING, float chamber	1	
11	0260-10412	• SCREW	2	M4xL12
12	1650-81122	• CAP, body	1	

Key#	PART NUMBER	DESCRIPTION	Q'TY /UNIT	NOTE
13	1141-81120	• CAP	1	
14	1650-81361	• VALVE, needle	1	
15	1400-81340	• HINGE	1	
16	1400-81350	• PIN	1	
17	1403-81500	• COCK ASSY	1	
18	1400-81540	• O-RING	1	
19	0260-10410	• SCREW	2	M4xL10
20	1650-81260	• SPRING	1	
21A	1650-81251	• SCREW, idle adjust	1	BC3410
21B	2751-81250	• SCREW, idle adjust	1	BC4310
22A	1650-81710	• PIPE	1	BC3410
22B	4550-81710	• PIPE	1	BC4310
23	1400-81650	• SCREW, drain	1	
24	1400-81660	• PACKING	1	

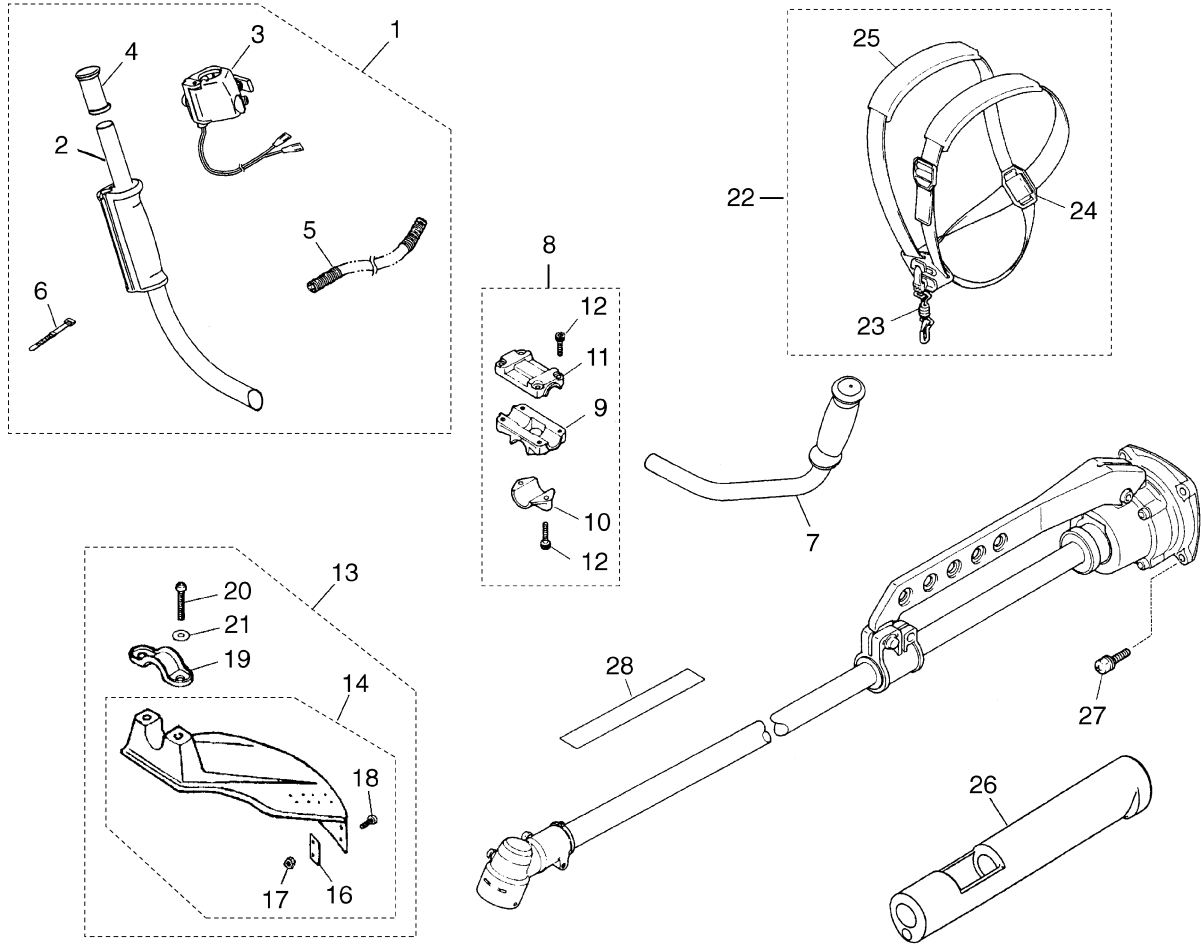
Fig.5 DRIVE SHAFT



Key#	PART NUMBER	DESCRIPTION	Q'TY /UNIT	NOTE	Key#	PART NUMBER	DESCRIPTION	Q'TY /UNIT	NOTE
1	4050-11110	HOUSING	1		22	01642-20608	• WASHER	1	
2	4050-11150	CAP	1		23	3541-11450	• SPACER	1	
3	4000-11210	JOINT	1		24	0224-00625	BOLT	1	M6xL25
4	4050-11250	ABSORBER F	1		25	01642-20608	WASHER	1	
5	4050-11260	ABSORBER R	1		26	848B745820	PIPE COMP.	1	D26xd23x1440
6	3180-13141	DUST SEAL	1		27	3247-11321	• BUSH	5	
7	3541-11450	SPACER	1		28	3540-12212	SHAFT	1	D8x1480 Spline
8	01252-30530	BOLT	4	M5xL30	29	4000-13000	GEARCASE ASSY	1	
9	848B8151A1	DRUM	1						
10	06004-06202	BEARING	1						
11	04065-03515	RING	1						
12	04064-01510	RING	1						
13	3263-11410	RING	1						
14	4000-11140	PLATE	2						
15	04065-03715	RING	1						
16	848B7338B1	HANGER	1						
17	1491-21511	BOLT	1	M6xL30					
18	3541-11441	BRACKET COMP.	1						
19	3541-11432	• BRACKET	1						
20	0224-00635	• BOLT	1	M6xL35					
21	3540-11460	• NUT	1						

BC3410FW/BC4310FW

Fig.6 HANDLE-GUARD-HARNESS



Key#	PART NUMBER	DESCRIPTION	Q'TY /UNIT	NOTE	Key#	PART NUMBER	DESCRIPTION	Q'TY /UNIT	NOTE
1	T3242-14500	HANDLE, (R) ASSY	1		22	6565-17201	HARNESS ASSY	1	
2	T3242-14300	• HANDLE, (R) COMP.	1		23	6565-17211	• HOOK COMP.	1	
3	8488R00190	• LEVER COMP.	1		24	6565-17220	• PLATE	1	
4	T3040-14511	• COLLAR	1		25	6565-17200-02	• PROTECTOR	1	
5	T3242-14370	• TUBE	1		26	T3190-17110	PROTECTOR	1	
6	3540-93120	• BAND	1		27	6468-91150	BOLT	4	M6xL20
7	T3190-14201	HANDLE, (L) COMP.	1		28	T3242-12510	PLATE, name	1	
8	3532-14102	BRACKET ASSY	1						
9	3541-14172	• BRACKET	1						
10	3541-14182	• CAP L	1						
11	3257-14192	• CAP U	1						
12	01252-30525	• BOLT	6	M5xL25					
13	6358-24002	GUARD ASSY	1						
14	6358-24102	• GUARD COMP.	1						
16	6041-24140	• BLADE	1						
17	3320-15310	• NUT	2						
18	0263-30512	• SCREW	2						
19	3541-24121	• CLAMP (T)	1						
20	3540-24130	• BOLT	2	M6xL30					
21	0290-20615	• WASHER	2						

Fig.7 GEARCASE

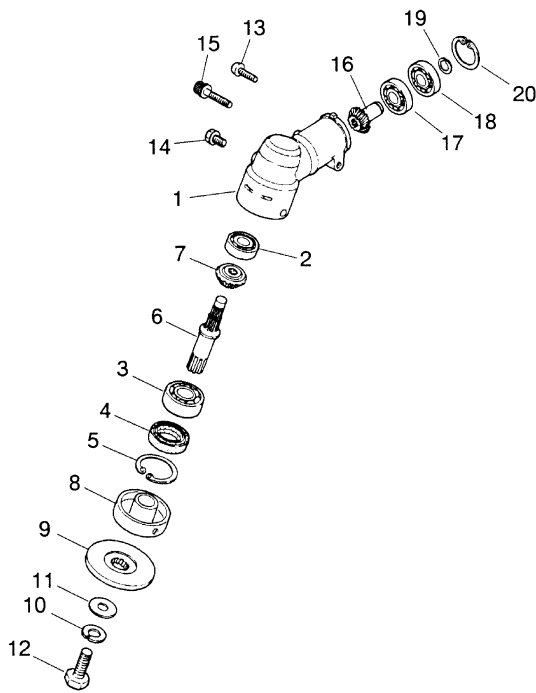
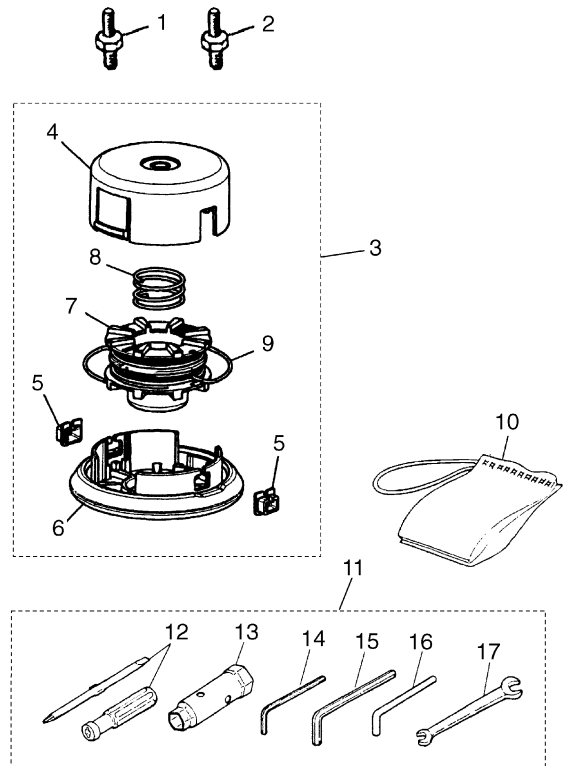


Fig.8 ACCESSORIES



Key#	PART NUMBER	DESCRIPTION	Q'TY /UNIT	NOTE
	4000-13000	GEARCASE ASSY	1	
1	3541-13194	• GEARCASE	1	
2	06000-06000	• BEARING	1	
3	06000-06201	• BEARING	1	
4	3180-13141	• SEAL	1	
5	04065-03212	• RING	1	
6	4050-13210	• SHAFT	1	
7	3180-13220	• GEAR	1	
8	3541-13241	• HOLDER A	1	
9	3541-13251	• HOLDER B	1	
10	3310-43210	• WASHER	1	
11	01643-30823	• WASHER	1	
12	3579-33260	• BOLT	1	M8, Left
13	01252-30510	• BOLT	1	M5xL10
14	0224-40610	• BOLT	1	M6xL10
15	3540-13260	• BOLT	1	M6xL35
16	3541-13311	• PINION	1	
17	06000-06000	• BEARING	1	
18	06001-06000	• BEARING	1	
19	3180-13330	• RING	1	
20	04065-02612	• RING	1	

Key#	PART NUMBER	DESCRIPTION	Q'TY /UNIT	NOTE
1	6041-99220	SHAFT	1	
2	6041-99240	SHAFT	1	
3	T3219-15101	TAP HEAD ASSY	1	
4	T3219-15111	• CASE	1	
5	T3189-15191	• EYELET	2	
6	T3189-15132	• COVER	1	
7	T3189-15142	• COAD HOLDER	1	
8	T3189-15160	• SPRING	1	
9	848BU369S0	• CORD	1	
10	3520-91110	BAG	1	
11	3532-91000	TOOL SET	1	
12	1030-91340	• DRIVER	1	
13	3239-91310	• SOCKET	1	
14	09007-00425	• WRENCH	1	for M5
15	09007-00528	• WRENCH	1	for M6
16	3540-91110	• BAR	1	
17	3540-91120	• SPANNER	1	