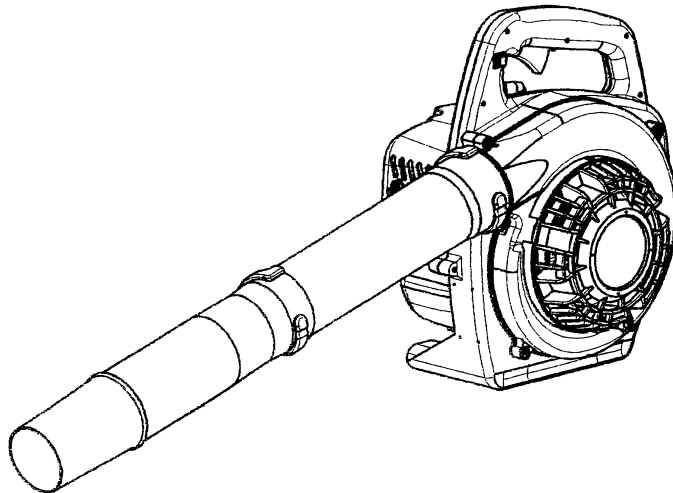




# OWNER/OPERATOR MANUAL

## HANDHELD BLOWER

# HB250



### WARNING



The engine exhaust from this product contains chemicals known to the State of California to cause cancer, birth defects or other reproductive harm.

Thank you for purchasing a RedMax product.

Before using our blower, please read this manual carefully to understand the proper use of your unit.

APPLICABLE SERIAL NUMBERS :

DRIVE UNIT 40900101 and up


ENGINE UNIT KU413473 and up



**Read this manual carefully to understand all safety precautions, controls, proper operation and maintenance of your RedMax blower. Failure to do so could result in serious injury.**



## **SAFETY FIRST**

Instructions contained in warnings within this manual and warning seals marked with a  symbol on the blower concern critical points which must be taken into consideration to prevent possible serious bodily injury, and for this reason you are requested to read all such instructions carefully and follow them without fail.

Note that there may be times when warning seals peel off or become soiled and impossible to read. If this happens, you should contact the dealer from which you purchased the product to order new seals and affix the new seal(s) in the required location(s).

### **■ Notes on types of warnings**



Instructions labeled as shown at left concern critical steps or procedures which must be followed in order to prevent accidents which could lead to serious bodily injury or death. This mark is used to indicate instructions which must be followed without exception.



Instructions labeled as shown at left concern steps or procedures which, if not followed correctly, could lead to mechanical failure, breakdown, or damage.



Used to label supplementary instructions designed to provide hints or directions useful in the use of the product.

# CONTENTS

<b>SAFETY PRECAUTIONS</b> .....	<b>4</b>
OPERATOR	
USE OF BLOWER	
WORKING CONDITION	
AVOID NOISE PROBLEM	
AVOID CHANCES OF DAMAGE	
<b>SYMBOLS ON THE MACHINE</b> .....	<b>7</b>
<b>PARTS LOCATION &amp; SPECIFICATIONS</b> .....	<b>8</b>
<b>ASSEMBLY</b> .....	<b>8</b>
BLOWER PIPE	
<b>FUEL</b> .....	<b>9</b>
RECOMMENDED MIXING RATIO	
HOW TO MIX FUEL	
FUELING THE UNIT	
<b>OPERATION</b> .....	<b>11</b>
STARTING ENGINE	
RESTARTING ENGINE WHILE ENGINE HOT	
STOPPING ENGINE	
ADJUSTING IDLE SPEED	
<b>MAINTENANCE</b> .....	<b>12</b>
MAINTENANCE CHART	
AIR CLEANER	
FUEL FILTER	
SPARK PLUG	
MUFFLER	
SPARK ARRESTER	
AIR INLET SCREEN	
PROCEDURES TO BE PERFORMED AFTER EVERY 100 HOURS OF USE	
<b>STORAGE</b> .....	<b>14</b>
<b>TROUBLESHOOTING GUIDE</b> .....	<b>14</b>
<b>PARTS LIST</b> .....	<b>15</b>



## Safety Precautions

- Read this Blower Owner/Operator Manual carefully. Be sure you understand how to operate this unit properly before you use it. Failure to do so could result in serious injury.



- Be sure to keep this manual handy so that you may refer to it later whenever any questions arise. Also note that you are requested to contact the dealer from whom you purchased the product for assistance the event that you have any questions which cannot be answered herein.
- Always be sure to include this manual when selling, lending, or otherwise transferring the ownership of this product.

- Wear a face mask to guard against the inhalation of dust.
- Wear rubber-soled shoes or shoes with some other form of anti-slip protection to help protect you against falling.
- Be sure to wear proper work clothing.

### ■ USE OF BLOWER

- Each time before starting the engine, inspect the entire unit to see if every part is in good order and is securely tightened in place. If any damage is found in the fuel line, the exhaust line, or the ignition wiring, do not use the blower until it has been repaired.

### ■ OPERATOR

- Refrain from operating the blower if you are tired, ill, or upset, or if you are under the influence of alcohol, drugs or medication.



- Always wear eye protection goggles.
- Always wear ear protectors to protect your ears from engine noise. If this guideline is not followed, hearing loss can occur.

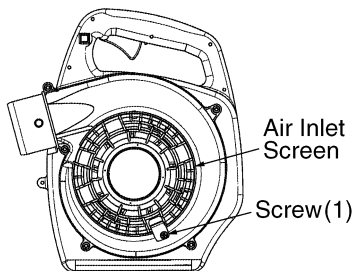




## Safety Precautions

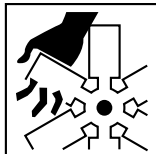
### ⚠ WARNING

- **Never use the blower without the screen at the air intake of the blower. Before each use, check that, the screw(1) is securely tightened and is free from any damage.**



### ⚠ WARNING

- **Never remove debris from the intake screen while the engine is running. Contact with rotating blower fan may result in a serious personal injury.**



- Do not allow children to use blower. Make sure that each person you authorize to operate the blower understands all of the safety rules in this manual.
- Avoid using any accessory or attachment other than those bearing the RedMax mark for use with the blower.
- When suspending a job or inspecting the blower, be sure to stop engine.
- Drain the fuel from the fuel tank before transporting or storing the blower.
- When storing the blower, choose a space indoors free from moisture and out of the reach of children.
- Examine the blower at intervals for loose fasteners and rusted or damaged parts. Use special care **around the fuel line, the muffler, and the ignition wiring.**
- All engine service except for those

described in this manual should be performed by competent service personnel. Improper service to the blower fan and muffler could cause a hazardous failure.

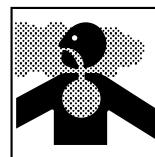
### ■ WORKING CONDITION

### ⚠ WARNING

- Keep open flames and sparks away from the area where fuel is handled or stored, as the fuel is highly flammable.



- Make sure that the engine has cooled down before refueling.
- Mix and store fuel only in a approved container.
- Never smoke while refueling the blower.
- Wipe off any spilled fuel and tighten the fuel cap securely.
- Move at least 3m(10ft) away from the fueling spot before starting the engine.
- Check the work area that the blower will be used in and remove or cover all valuables that may be damaged by the air blast or thrown debris.
- Avoid running the engine indoors. The exhaust gases contain harmful carbon monoxide.





## **Safety Precautions**

- Keep operation area clear of all persons, particularly small children and pets. Injury may result from flying debris.
- Avoid using the blower where stable footing and balance are not assured.
- Never touch the spark plug or plug cord while the engine is in operation. Doing so may result in being subjected to an electrical shock.



- Never touch the muffler, spark plug, or other metallic parts of the engine while the engine is in operation or immediately after shutting down the engine. These metallic parts reach high temperatures during operation and doing so could result in serious burns.



### ■ AVOID NOISE PROBLEM

#### NOTE

**Check and follow the local regulations as to sound level and hours of operations for blower.**

- In general, operate blowers between 8a.m. and 5p.m. on week day and 9a.m. to 5p.m. weekends. Avoid using blower late at night and/or early in the morning.
- Loosen compacted leaves, grass or debris with a rake or broom beforehand, so that the lowest possible throttle setting would get the job done.
- In dusty conditions, slightly dampen surfaces.
- Check if the air filter, air intakes and muffler are working properly.
- Never use more than one unit of the blower at one time.

### ■ AVOID CHANCES OF DAMAGE

- Avoid directing the blower nozzle toward persons, pets, cars, windows or anything that could be harmed by blowing debris or dust.
- Keep the nozzle at full extension when operating so as to make the air stream close to the ground.
- Collect any trash and leaves and put them into a proper container after the job is done.
- Always check to be sure that no debris has been blown onto someone else's property.

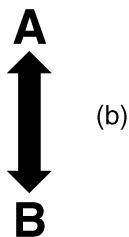
# Symbols on the machine

---

For safe operation and maintenance, symbols are carved in relief on the machine. According to these indications, please be careful not to make a mistake.



(a) The port to refuel the "MIX GASOLINE"  
**Position:** FUEL TANK CAP

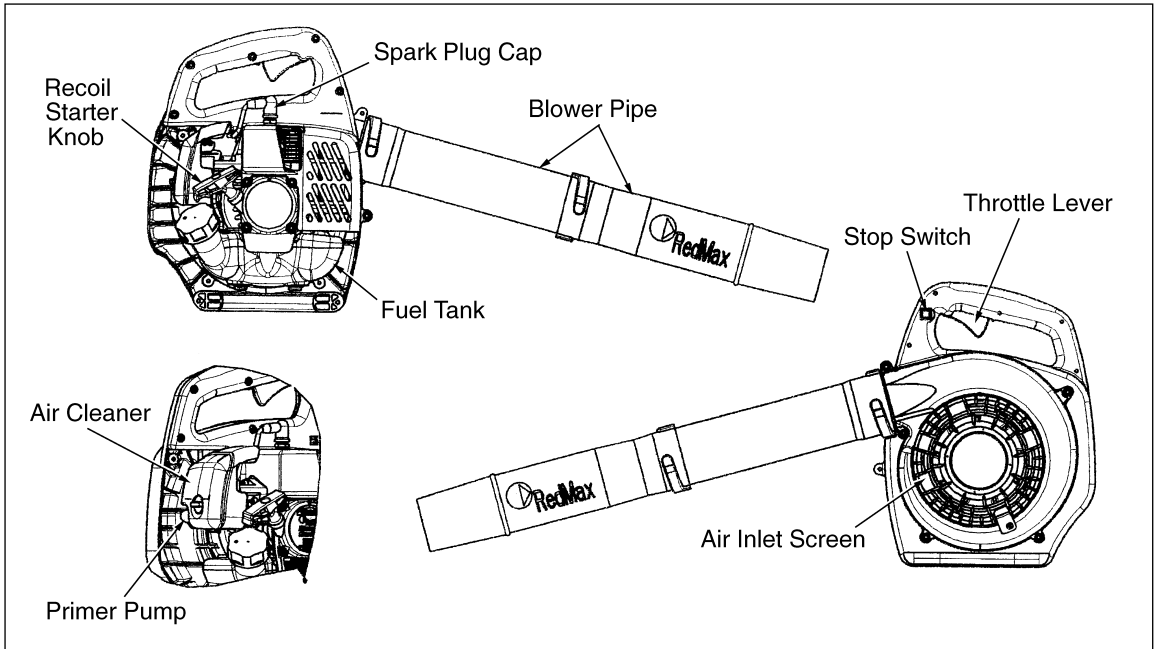


(b) The direction A to close the choke  
The direction B to open the choke  
**Position:** AIR CLEANER COVER

**IMPORTANT ENGINE INFORMATION**  
THIS ENGINE CONFORMS TO 2005 U.S. EPA REGULATIONS FOR SMALL  
NONROAD ENGINES. EMISSIONS COMPLIANCE PERIOD: CATEGORY C  
REFER TO OWNER'S MANUAL FOR FURTHER INFORMATION.  
**ENGINE FAMILY : 5KZXS.0254VW;EM**  
**DISPLACEMENT: 25cc MANUFACTURED :**  
  **KOMATSU ZENOAH CO.**

**INFORMATION IMPORTANTE CONCERNANT LE MOTEUR**  
CE MOTEUR EST CONFORME A LA REGLEMENTATION U.S. EPA 2005 POUR LES PETITS  
MOTEURS HORS-ROUTE. DUREE DE CONFORMITE DES EMISSIONS : CATEGORIE C.  
SE REFERER AU MODE D'EMPLOI POUR DE PLUS AMPLES INFORMATIONS.  
**FAMMILLE DE MOTEUR : 5KZXS.0254VW;EM**  
**CYLINDREE : 25cm<sup>3</sup> DATE DE FABRICATION :**  
  **KOMATSU ZENOAH CO.**

# Parts Location & Specifications



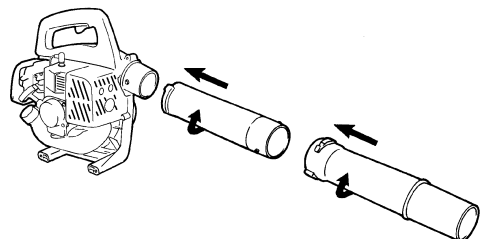
## MODEL HB250

Dimensions ( L x W x H )	mm ( in )	327 x 273 x 360 (12.9 x 10.7 x 14.2)
Dry Weight (without tube and nozzle)	kg ( lbs )	3.8 (8.3)
Fuel Tank Capacity	liter ( fl. oz )	0.65 (22.0)
Engine Type		Air cooled 2-cycle gasoline engine
Piston Displacement	cm <sup>3</sup> ( cu. in )	25.4 (1.60)
Durability Period		50h
Carburetor		Walbro Diaphragm type
Ignition System		CDI
Spark Plug		NGK BPMR7A
Muffler		Spark arrester equipped
Operating Engine Speed	rpm	2.800 ~ 7.800
Idle Speed	rpm	2.800
Max. Air Volume (with std. pipe)	cu. m/min ( cfm )	10.3 (364)
Max. Air Volume (w/o pipe)	cu. m/min ( cfm )	11.1 (392)
Max. Air Velocity	m/sec ( mph )	57 (127)
Noise Level (50 Feet ANSI B175-2)	dB (A)	73

## Assembly

### ■ BLOWER PIPE

- Align groove in blower pipe with projection on blower housing (or another blower pipe) and slide the pipe onto the blower housing (or another blower pipe). Rotate the pipe clockwise to lock it into place.





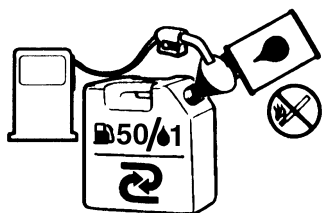
# Fuel

## ⚠ WARNING

- Gasoline is very flammable. Avoid smoking or bringing any flame or sparks near fuel. Make sure to stop the engine and allow it cool before refueling the unit. Select outdoor bare ground for fueling and move at least 3m (10ft) away from the fueling point before starting the engine.



- The RedMax engines are lubricated by oil specially formulated for air-cooled 2-cycle gasoline engine use. If RedMax oil is not available, use an anti-oxidant added quality oil expressly labeled for air-cooled 2-cycle engine use. (JASO FC GRADE OIL or ISO EGC GRADE)
- Do not use BIA or TCW (2-stroke water-cooling type) mixed oil.



## ■ RECOMMENDED MIXING RATIO GASOLINE 50:OIL 1

### 50:1 MIXING CHART

GASOLINE gal.	1	2	3	4	5
2-CYCLE OIL fl.oz	2.6	5.2	7.8	10.4	13

GASOLINE liter	1	2	3	4	5
2-CYCLE OIL ml	20	40	60	80	100

- Exhaust emission are controlled by the fundamental engine parameters and components (eq., carburation, ignition timing and port timing) without addition of any major hardware or the introduction of an inert material during combustion.
- These engines are certified to operate on unleaded gasoline.
- Make sure to use gasoline with a minimum octane number of 89 RON (USA/Canada: 87AL)
- If you use a gasoline of a lower octane value than prescribed, there is a danger that the engine temperature may rise and an engine problem such as piston seizing may consequently occur.
- Unleaded gasoline is recommended to reduce the contamination of the air for the sake of your health and the environment.
- Poor quality gasolines or oils may damage sealing rings, fuel lines or fuel tank of the engine.

## ■ HOW TO MIX FUEL

### IMPORTANT

Pay attention to agitation.

1. Measure out the quantities of gasoline and oil to be mixed.
2. Put some of the gasoline into a clean, approved fuel container.
3. Pour in all of the oil and agitate well.
4. Pour In the rest of gasoline and agitate

# Fuel

---

again for at least one minute. As some oils may be difficult to agitate depending on oil ingredients, sufficient agitation is necessary for the engine to last long. Be careful that, if the agitation is insufficient, there is an increased danger of early piston seizing due to abnormally lean mixture.

5. Put a clear indication on the outside of the container to avoid mixing up with gasoline or other containers.
6. Indicate the contents on outside of container for easy identification.

## ■ FUELING THE UNIT

1. Untwist and remove the fuel cap. Rest the cap on a dustless place.
2. Put fuel into the fuel tank to 80% of the full capacity.
3. Fasten the fuel cap securely and wipe up any fuel spillage around the unit.

## WARNING

1. Select bare ground for fueling.
2. Move at least 10feet (3meters) away from the fueling point before starting the engine.
3. Stop the engine before refueling the unit. At that time, be sure to sufficiently agitate the mixed gasoline in the container.

## FOR YOUR ENGINE LIFE, AVOID;

1. FUEL WITH NO OIL(RAW GASOLINE) – It will cause severe damage to the internal engine parts very quickly.
2. GASOHOL – It can cause deterioration of rubber and/or plastic parts and disruption of engine lubrication.
3. OIL FOR 4-CYCLE ENGINE USE – It can cause spark plug fouling, exhaust port blocking, or piston ring sticking.
4. **Mixed fuels which have been left unused for a period of one month or more** may clog the carburetor and result in the engine failing to operate properly.
5. In the case of storing the product for a

long period of time, clean the fuel tank after rendering it empty. Next, activate the engine and empty the carburetor of the composite fuel.

6. In the case of scrapping the used mixed oil container, scrap it only at an authorized repository site.

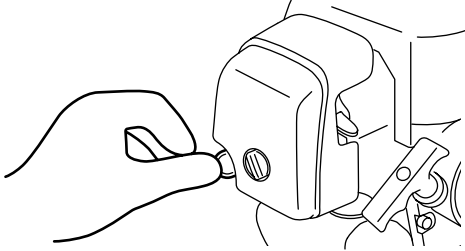
## NOTE

As lot details of quality assurance, read the description in the section Limited Warranty carefully. Moreover, normal wear and change in product with no functional influence are not covered by the warranty. Also, be careful that, if the usage in the instruction manual is not observed as to the mixed gasoline, etc. described therein, it may not be covered by the warranty.

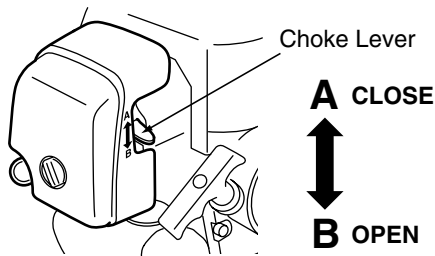
# Operation

## ■ STARTING ENGINE

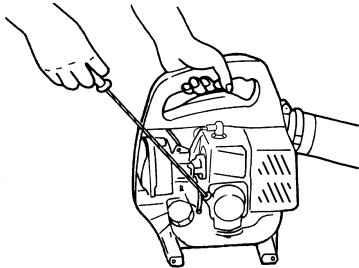
1. Rest the unit on a flat, firm place.
2. Pump the primer until fuel flows out in the clear tube.



3. Move the choke lever upward to close the choke.



4. Holding the blower handle, pull the starter rope with your right hand. (Throttle lever in idling position.)



### NOTE

Avoid pulling the rope to its dead end or returning it by releasing the knob. Such actions can cause starter failures.

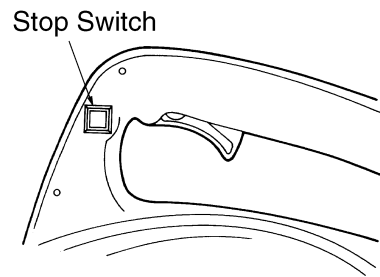
5. When the engine has started, move the choke lever gradually downward to open the choke.
6. Allow the engine to warm up for a half minute before starting operation.

## ■ RESTARTING ENGINE WHILE ENGINE IS HOT

1. When restarting the engine immediately after stopping it, leave the choke open.
2. If the engine won't start after several attempts, close the choke and repeat pulling the rope or remove the spark plug and dry it.

## ■ STOPPING ENGINE

Release the throttle lever to the idling position and press the stop switch (red button) until the engine comes to a complete stop.

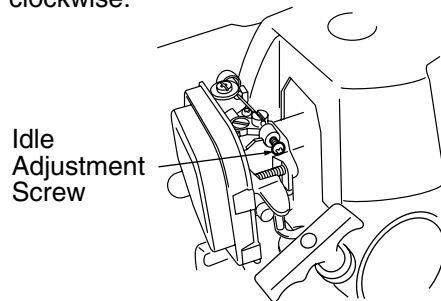


### NOTE

Except for an emergency, avoid stopping the engine while pulling the throttle lever.

## ■ ADJUSTING IDLE SPEED

1. When the engine tends to stop frequently at an idle mode, turn the adjusting screw clockwise.



### NOTE

Warm up the engine before adjusting the idle speed.

# Maintenance

Maintenance, replacement, or repair of the emission control device and systems may be performed by any non-road engine repair establishment or individual.

## MAINTENANCE CHART

system/component	procedure	before use	every 25 hours after	every 50 hours after	every 100 hours after	note
fuel leaks, fuel spillage	wipe out	✓				
fuel tank, air filter, fuel filter	inspect/clean	✓	✓			replace, if necessary
idle adjusting screw	see ■ADJUSTING IDLING SPEED (p.11)	✓				replace carburetor if necessary
spark plug	clean and readjust plug gap			✓		GAP: .025in(0.6~0.7mm) replace, if necessary
cylinder fins, intake air cooling vent	clean		✓			
muffler, spark arrester, cylinder exhaust port	clean			✓		
throttle lever, ignition switch	check operation	✓				
screws/nuts/bolts	tighten/replace	✓			✓	not adjusting screws

### WARNING

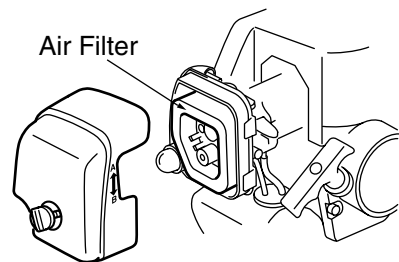
- Make sure that the engine has stopped and is cool before performing any service to the blower. Contact with rotating blower fan or hot muffler may result in a personal injury.

## AIR CLEANER

- Check the air cleaner every 25 hours of use or more frequently if used under dusty conditions. A clogged air filter may increase fuel consumption while cutting down the engine power. Never operate the blower without the air filter or with a deformed filter element because unfiltered dusty air will quickly ruin the engine.

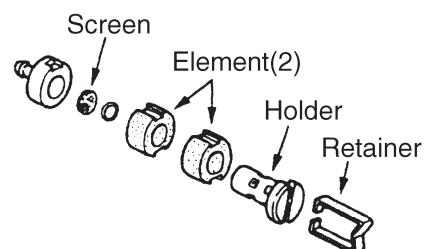
### CLEANING AIR FILTER:

Clean the filter element in warm, soapy water as required. Dry completely before installing. If the element is broken or shrunk, replace with a new one.



## FUEL FILTER

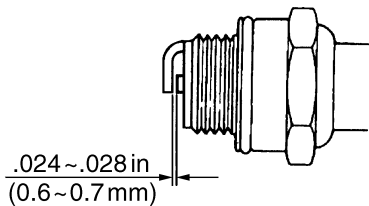
- A clogged fuel filter may cause poor acceleration of the engine. Check periodically to see if the filter is clogged with dirt. The filter can be taken out of the fueling port using a small wire hook. Disconnect the filter assembly from the fuel pipe and unhook the retainer to disassemble it. Clean the components with gasoline.



# Maintenance

## ■ SPARK PLUG

- The spark plug may gather carbon deposits on its firing end with reasonable use. Remove and inspect the spark plug every 25 hours and clean the electrodes as necessary with a wire brush. The spark gap should be adjusted to .024~.028 in. (0.6~0.7mm).



- Plug manufacturers recommend replacing the plug twice a year to avoid unexpected plug failure in a job.

**REPLACEMENT PLUG IS A NGK BPMR7A.**

### IMPORTANT

- Note that using any spark plugs other than those designated may result in the engine failing to operate properly or in the engine becoming overheated and damaged.
- To install the spark plug, first turn the plug until it is finger tight, then tighten it a quarter turn more with a socket wrench.

## ■ MUFFLER

### ⚠ WARNING

- **Inspect periodically the muffler for loose fasteners, any damage or corrosion. If any sign of exhaust leakage is found, do not use the blower and have it repaired immediately.**
- **Note that failing to do so may result in the engine catching on fire.**

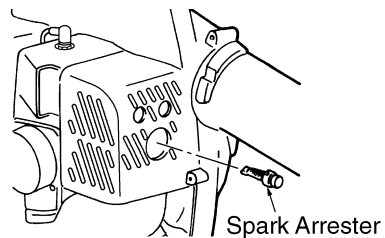
### IMPORTANT

- Before starting operation, always make sure to check if the muffler is properly held by two bolts to the cylinder. (Fastening Torque : 70~110kg·cm)
- Even if one bolt out of two bolts is loose,

the muffler may get loose during operation which may result in engine catching on fire.

## ■ SPARK ARRESTER

- The muffler is equipped with a spark arrester to prevent red hot carbon from flying out of the exhaust outlet. Periodically inspect and clean as necessary with a wire brush. In the State of California it is required by law (Section 4442 of the California Public Resources Code) to equip a spark arrester when a gas powered tool is used in any forest covered, brush covered, or grass covered unimproved land.



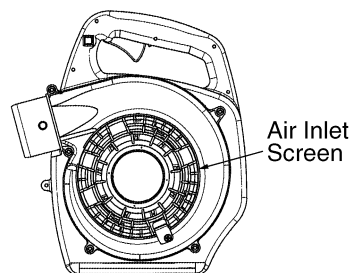
## ■ AIR INLET SCREEN

### IMPORTANT

- Blowing air is taken in from the air inlet screen. When air flow has dropped down during operation, stop the engine and inspect the air inlet screen for blocking by obstacles.
- Note that failure to remove any such obstacles may result in the engine becoming overheated and damaged.

### ⚠ WARNING

- **Never use the blower without the screen at the air intake of the blower.**

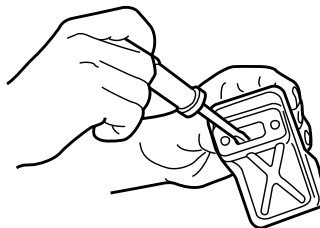


# Maintenance

---

## ■ PROCEDURES TO BE PERFORMED AFTER EVERY 50 HOURS OF USE

- Remove the muffler, insert a screwdriver into the vent, and wipe away any carbon buildup. Wipe away any carbon buildup on the muffler exhaust vent and cylinder exhaust port at the same time.
- Tighten all screws, bolts, and fittings.



# Storage

---

## BEFORE STORING THE BLOWER:

1. Drain a fuel tank and push the primer bulb until it becomes empty of fuel.
2. Remove the spark plug and drop a spoonful of 2-cycle oil into the cylinder. Crank the engine several times and install the spark plug.

# Troubleshooting guide

---

## Case 1. Starting failure

CHECK	PROBABLE CAUSES	ACTION
fuel tank	→ incorrect fuel	→ drain it and with correct fuel
fuel filter	→ fuel filter is clogged	→ clean
carburetor adjustment screw	→ out of normal range	→ adjust to normal range
sparkling (no spark)	→ spark plug is fouled/wet	→ clean/dry
	→ plug gap is incorrect	→ correct (GAP: 0.6~0.7mm)
spark plug	→ disconnected	→ retighten

## Case 2. Engine starts but does not keep running/Hard re-starting.

CHECK	PROBABLE CAUSES	ACTION
fuel tank	→ incorrect fuel or staled fuel	→ drain it and with correct fuel
carburetor adjustment screw	→ out of normal range	→ adjust to normal range
muffler,cylinder (exhaust port)	→ carbon is built-up	→ wipe away
air cleaner	→ clogged with dust	→ wash

When your unit seems to need further service, please consult with our RedMax service shop in your area.

## HANDHELD BLOWER

# HB250

**NOTE :**

1. Use KOMATSU ZENOAH genuine parts as specified in the parts list for repair and/or replacement.
2. KOMATSU ZENOAH does not warrant the machines, which have been damaged by the use of any parts other than those specified by the company.
3. When placing parts orders for repair and/or replacement, check if the model name and the serial number are applicable to those specified in the parts list, then use parts number described in the parts list.
4. The contents described in the parts list may change due to improvement.
5. The parts for the machine shall be supplied seven (7) years after the machine is discontinued. [It is possible that some specific parts may be subject to change of their delivery term and list price within the limit of seven (7) years after the machine is discontinued. It is also possible that some parts may be available even after the limit of seven (7) years.]

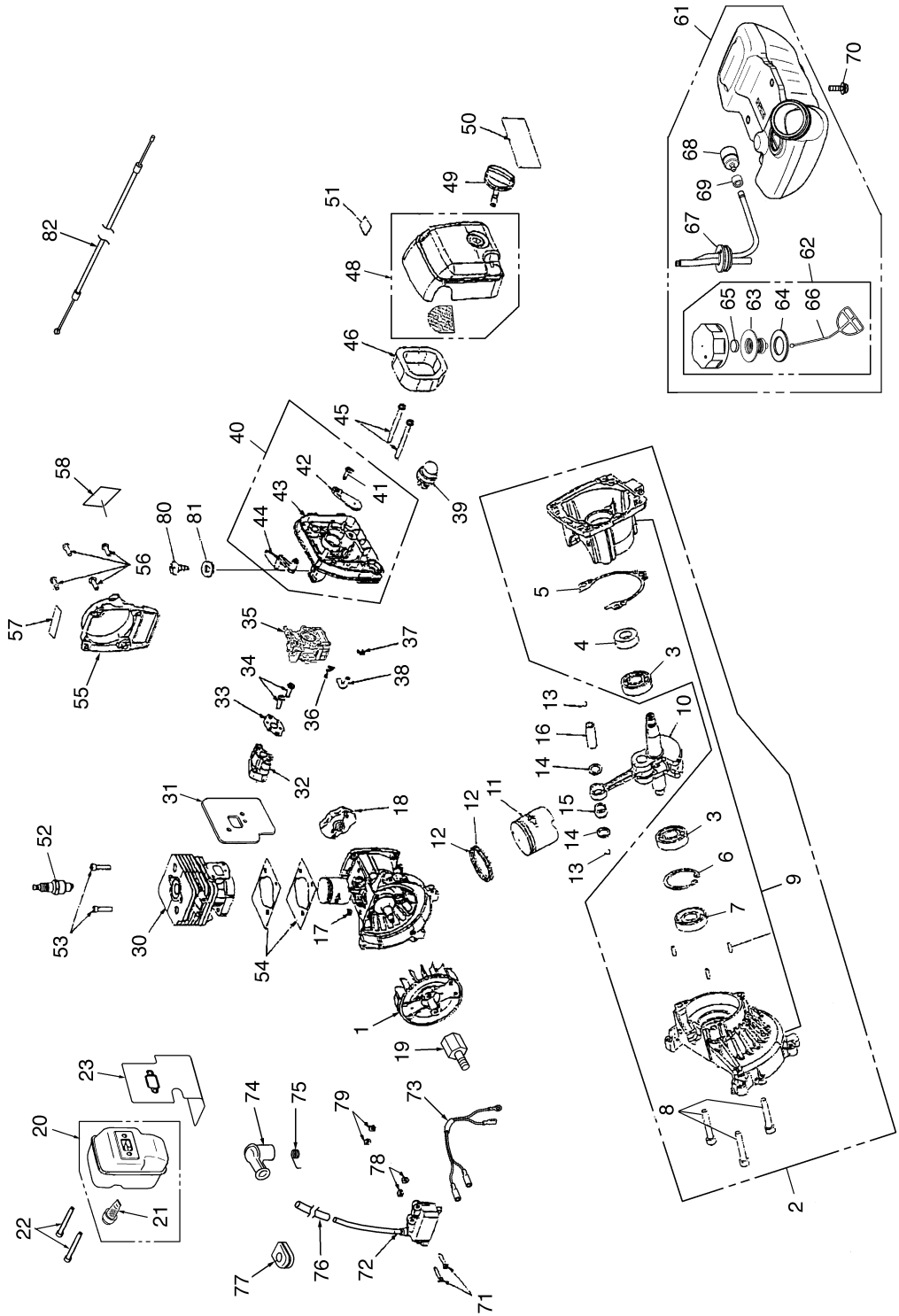
July 2004

**APPLICABLE SERIAL NUMBERS :**

DRIVE UNIT 40900101 and up      ENGINE UNIT KU413473 and up

# Parts List

Fig.1 ENGINE GROUP HB250



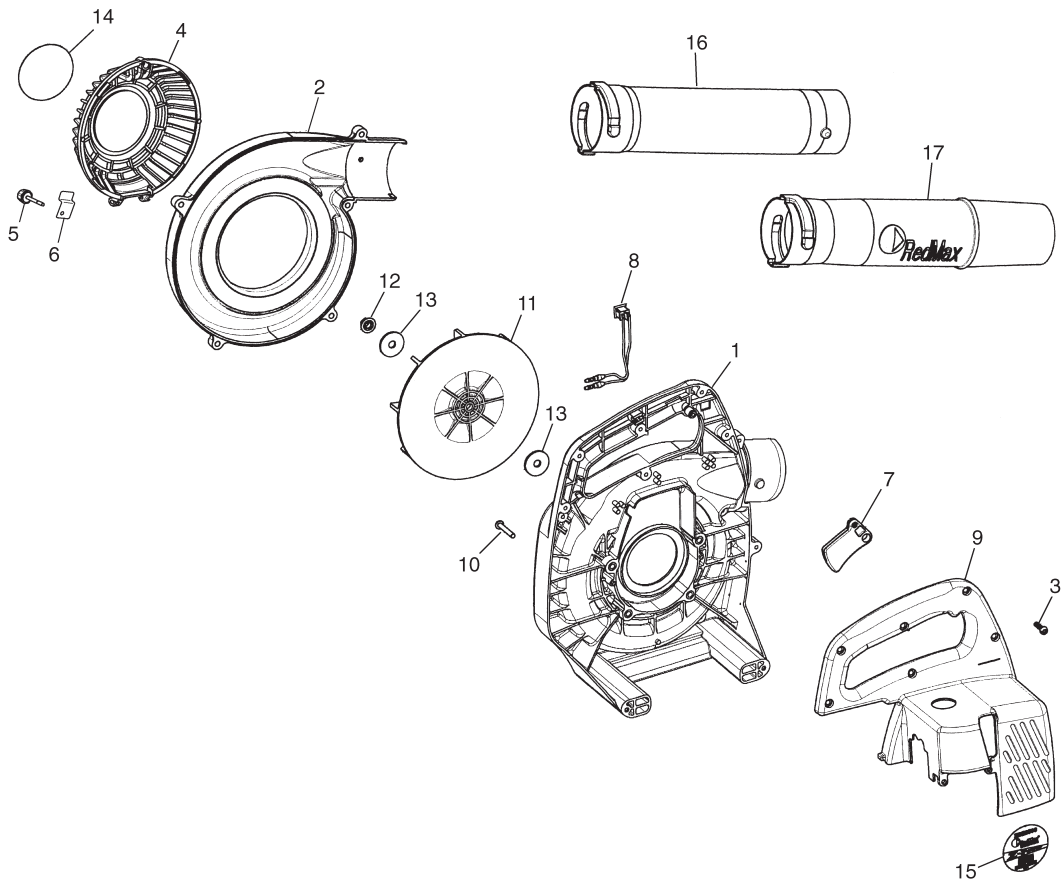


**Fig.1 ENGINE GROUP HB250**

Key#	Part Number	Description	Q'ty	Key#	Part Number	Description	Q'ty
1	6457402	ROTOR	1	52	8714402	SPARK PLUG NGK BPMR7A	1
2	4309501	CRANKCASE&SHAFT ASSY	1	53	6634201	CAP SCREW	2
3	6968501	• BEARING	2	54	9070901	GASKET CYLINDER	2
4	5687501	• SEAL	1	55	3075304	RECOIL ASSY	1
5	9071301	GASKET CASE	1	56	6635101	SCREW TORX	4
6	6968401	• RING	1	57	9506010	DECAL(E Start)	1
7	5687401	• SEAL	1	58	848-L0F-90D0	DECAL(EMISSION)	1
8	6634801	• SCREW	3				
9	3075003	• CRANKCASE ASSY	1	61	848-EU2-8500	TANK ASSY	1
10	3090101	CRANKSHAFT ASSY	1	62	T1015-85202	• CAP ASSY	1
11	6457303	PISTON	1	63	4500-85300	•• HOLDER ASSY	1
12	6969001	RING	2	64	4500-85220	•• PACKING	1
13	6969101	CLIP RING	2	65	5601-85260	•• FILTER	1
14	6968701	WASHER	2	66	4820-85260	•• STOPPER	1
15	6997001	NEEDLE BEARING	1	67	848-EU2-8530	• PIPE COMP.	1
16	6230101	WRIST PIN	1	68	3302-85400	• FILTER ASSY	1
17	6968801	KEY	1	69	2841-31280	• COLLER	1
18	4300401	PULLEY ASSY	1	70	4820-85510	BOLT TORX, M5x16	3
19	5516-43230	EXTENTION	1	71	6634901	BOLT TORX	2
20	T1513-15100	MUFFLER ASSY	1	72	3075204	COIL&BOOT ASSY	1
21	4810-15140	• ARRESTER	1	73	T1513-71240	CORD	1
22	T4950-57030	BOLT TORX, M5x70	2	74	1900-72112	CAP	1
23	T1513-15210	GASKET, MUFF	1	75	1900-72120	SPRING	1
				76	T1513-71320	TUBE	1
30	6457003	CYLINDER	1	77	5500-72130	GROMMET	1
31	848-EU2-14B0	GASKET INSULATOR	1	78	5946201	SPACER	2
32	5994702	INSULATOR	1	79	6996901	WASHER	2
33	9071103	GASKET CABURETOR	1	80	2630-31950	SCREW	1
34	6634402	SCREW TORX	2	81	1484-86280	WASHER	1
35	3074518	CARBURETOR	1	82	5516-83101	CABLE	1
36	6970001	CLIP HOSE	1				
37	6969901	CLIP HOSE	1				
38	5688002	PLASTIC RUBBER TUBING	1				
39	3078001	PRIMER ASSY	1				
40	3097402	CHOKE LEVER&PLATE ASSY	1				
41	6634501	• SCREW TORX	1				
42	5994601	• CHOKE PLATE	1				
43	4315001	• CARBURETOR PLATE	1				
44	5945801	• CHOKE LEVER	1				
45	6634601	BOLT CARBURETOR	2				
46	5687301	ELEMENT	1				
48	3099904	COVER ASSY	1				
49	5946101	KNOB	1				
50	9506501	DECAL	1				
51	9506009	DECAL(To Start)	1				

# Parts List

**Fig.2 BLOWER GROUP HB250**



Key#	Part Number	Description	Q'ty	Key#	Part Number	Description	Q'ty
1	848-L0F-55A1	VOLUTE CASE	1	16	6811-51211	PIPE CT2-18	1
2	848-L0F-55B0	VOLUTE COVER	1	17	6811-51220	PIPE, END CT2-19	1
3	T4970-52000	SCREW TORX	12				
4	6811-11130	GURD NET	1				
5	6811-11170	SCREW	1				
6	6811-11160	STOPPER	1				
7	6811-11150	LEVER	1				
8	6811-72200	SWITCH	1				
9	848-L0F-31A0	ENGINE COVER	1				
10	T4960-53510	SCREW TORX	4				
11	6811-12110	FAN	1				
12	1650-43230	182301 NUT	1				
13	6811-12220	WASHER	2				
14	848-L0F-90S0	LABEL, CAUTION	1				
15	848-L0F-90C0	LABEL, RECOIL	1				

## RedMax LIMITED WARRANTY

**EMISSION-RELATED PARTS**, FOR TWO (2) YEARS FROM THE DATE OF ORIGINAL DELIVERY OF THE UNIT, KOMATSU ZENOAH AMERICA INC. (THE COMPANY), THROUGH ANY RedMax DEALER, WILL REPAIR OR REPLACE, FREE OF CHARGE, FOR THE ORIGINAL AND EACH SUBSEQUENT PURCHASER, ANY PART OR PARTS FOUND TO BE DEFECTIVE IN MATERIAL AND/OR WORKMANSHIP. EMISSION-RELATED PARTS ARE:

**THE CARBURETOR ASSY, COIL ASSY, ROTOR, SPARKPLUG,  
AIR FILTER, FUEL FILTER, INTAKE MANIFOLD, AND THE GASKETS**

**ALL OTHER PARTS EXCEPT ABOVE PARTS**, FOR TWO (2) YEARS OF HOME USE, NINETY (90) DAYS FOR COMMERCIAL USE FROM THE DATE OF ORIGINAL PURCHASE, THE COMPANY, THROUGH RedMax DEALER, WILL REPAIR OR REPLACE, FREE OF CHARGE, FOR THE ORIGINAL PURCHASER, ANY PART OF PARTS FOUND TO BE DEFECTIVE IN MATERIAL AND/OR WORKMANSHIP. **THIS IS THE EXCLUSIVE REMEDY.**

THE PURCHASER SHALL BEAR COSTS OF TRANSPORTING THE UNIT TO AND FROM THE RedMax DEALER.

THE PURCHASER SHALL NOT BE CHARGED FOR DIAGNOSTIC LABOR WHICH LEADS TO THE DETERMINATION THAT A WARRANTED PART IS DEFECTIVE, IF THE DIAGNOSTIC WORK IS PERFORMED AT THE RedMax DEALER.

THE PURCHASER OR OWNER IS RESPONSIBLE FOR THE PERFORMANCE OF THE REQUIRED MAINTENANCE AS DEFINED BY THE MANUFACTURER IN THE OWNER/OPERATOR MANUAL.

ANY WARRANTED PART WHICH IS NOT SCHEDULED FOR REPLACEMENT AS REQUIRED MAINTENANCE, OR WHICH IS SCHEDULED ONLY FOR REGULAR INSPECTION TO THE EFFECT OF "REPAIR OR REPLACE AS NECESSARY" SHALL BE WARRANTED FOR THE WARRANTY PERIOD. ANY WARRANTED PART WHICH IS SCHEDULED FOR REPLACEMENT AS REQUIRED MAINTENANCE SHALL BE WARRANTED FOR THE PERIOD OF TIME UP TO THE FIRST SCHEDULED REPLACEMENT POINT FOR THE PART.

ANY REPLACEMENT PART THAT IS EQUIVALENT IN PERFORMANCE AND DURABILITY MAY BE USED IN NON-WARRANTY MAINTENANCE OR REPAIRS, AND SHALL NOT REDUCE THE WARRANTY OBLIGATION OF THE COMPANY.

THE COMPANY IS LIABLE FOR DAMAGES TO OTHER ENGINE COMPONENTS CAUSED BY THE FAILURE OF A WARRANTED PARTS STILL UNDER WARRANTY.

**THE WARRANTY DOES NOT APPLY TO** THOSE UNITS WHICH HAVE BEEN DAMAGED BY NEGLIGENCE OF INSTRUCTION LISTED IN THE OWNER/OPERATOR MANUAL FOR PROPER USE AND MAINTENANCE OF THE UNITS, ACCIDENTAL MISHANDLING, ALTERATION, ABUSE, IMPROPER LUBRICATION, USE OF ANY PARTS OR ACCESSORIES OTHER THAN THOSE SPECIFIED BY THE COMPANY, OR OTHER CAUSES BEYOND THE COMPANY'S CONTROL.

**THIS WARRANTY DOES NOT COVER** THOSE PARTS REPLACED BY NORMAL WEAR OR HARMLESS CHANGES IN THEIR APPEARANCE.

**THERE ARE NO OTHER EXPRESS WARRANTIES.**

**IMPLIED WARRANTIES** INCLUDING THOSE OF MERCHANTABILITY AND FITNESS FOR A PARTICULAR PURPOSE **ARE LIMITED** TO TWO (2) YEARS HOME OF USE, NINETY (90) DAYS FOR COMMERCIAL USE FROM THE ORIGINAL DELIVERY DATE.

**LIABILITIES FOR INCIDENTAL OR CONSEQUENTIAL DAMAGE UNDER ANY AND ALL WARRANTIES ARE EXCLUDED.**

SOME STATES DO NOT ALLOW LIMITATION ON HOW LONG AN IMPLIED WARRANTY LASTS OR EXCLUSION OR LIMITATION OF INCIDENTAL OR CONSEQUENTIAL DAMAGES, SO THE ABOVE LIMITATION OR EXCLUSION MAY NOT APPLY TO YOU.

THIS WARRANTY GIVES YOU SPECIFIC LEGAL RIGHTS, AND YOU MAY ALSO HAVE OTHER RIGHTS WHICH VARY FROM STATE TO STATE.

IF YOU NEED TO OBTAIN INFORMATION ABOUT THE NEAREST SERVICE CENTER, PLEASE CALL KOMATSU ZENOAH AMERICA INC. AT (770)-381-5147.

**IMPORTANT:** YOU WILL RECEIVE A WARRANTY REGISTRATION CARD AT TIME OF PURCHASE. PLEASE FILL OUT THE CARD AND SEND IT TO RedMax / KOMATSU ZENOAH AMERICA WITHIN SEVEN (7) DAYS. BE SURE TO KEEP A COPY FOR YOUR RECORDS.



KOMATSU ZENOAH AMERICA INC.  
4344 Shackleford Road Suite 500  
Norcross, Georgia 30093

## RedMax Garantie limitée

**Pièces en rapport avec les émissions de gaz d'échappement :** KOMATSU ZENOAH AMERICA INC., par l'intermédiaire de n'importe quel revendeur RedMax, réparera gratuitement ou remplacera gratuitement pour l'acheteur initial et chaque acheteur successif toute(s) pièce(s) se révélant de constitution et/ou de montage défectueux pendant deux (2) ans à compter de la date initiale de livraison d'une unité. Les pièces en rapport avec les émissions de gaz d'échappement sont:

**l'assemblage carburateur, l'assemblage bobine, le rotor, la bougie,  
le filtre à air, le filtre à carburant, la tubulure d'admission et les joints**

**Toutes les pièces autres que celles mentionnées ci-dessus**, deux (2) ans d'utilisation domestique, quatre-vingt-dix (90) jours d'utilisation commerciale, à compter de la date d'achat initial. La société, par l'intermédiaire d'un distributeur RedMax, réparera ou remplacera toute(s) pièce(s), sans frais et au bénéfice de l'acheteur original, en prenant en charge les frais de pièces et/ou de main d'œuvre. **Telles sont les limites de la garantie.**

Le coût du transport de l'unité jusqu'au revendeur RedMax et depuis celui-ci sera à la charge de l'acheteur.

L'acheteur ne supportera pas le coût de main d'œuvre du diagnostic qui amène à la conclusion qu'une pièce garantie est défectueuse, si ce diagnostic est effectué chez le revendeur RedMax.

L'acheteur ou propriétaire a pour responsabilité d'effectuer l'entretien obligatoire tel que défini par le fabricant dans le manuel du propriétaire/de l'utilisateur.

Toute pièce garantie dont le remplacement n'est pas prévu dans le cadre de l'entretien obligatoire, ou pour laquelle est seulement prévue une inspection périodique pour "remplacement ou réparation si nécessaire" sera garantie pour la période de garantie. Toute pièce garantie arrivée à l'échéance de son premier remplacement prévu sera garantie jusqu'à celui-ci.

Toute pièce de rechange équivalente en performance ou en durabilité peut être utilisée pour l'entretien hors-garantie ou les réparations hors-garantie, et ce sans réduire l'obligation de garantie incombant à la société.

La société sera tenue responsable des dommages aux autres composants du moteur causés par la défaillance de pièce(s) garantie(s) en période de garantie.

**La garantie ne s'applique pas** aux unités endommagées par suite de: négligence dans la mise en oeuvre des instructions spécifiées dans le manuel du propriétaire/de l'utilisateur en vue d'une utilisation et d'un entretien correct, fausse manœuvre accidentelle, modification, utilisation abusive, lubrification incorrecte, utilisation de pièces ou d'accessoires autres que ceux spécifiés par la société, ou autres causes hors du contrôle de la société.

**Cette garantie ne couvre pas** les pièces remplacées en raison de leur usure normale ou de changements d'apparence sans effets.

**Il n'existe aucune autre garantie explicite.**

**Les garanties implicites**, y compris la valeur marchande et la valeur d'usage pour une utilisation particulière, **sont limitées** deux (2) ans d'utilisation domestique, quatre-vingt-dix (90) jours d'utilisation commerciale, à compter de la date originale de livraison.

**Les responsabilités pour les dommages conséquents ou incidents sont exclues de toutes les garanties.**

Certaines provinces n'autorisant pas les limitations à la durée des garanties implicites, ou les exclusions ou limitations relatives aux dommages incidents ou conséquents, la limitation indiquée ci-dessus peut ne pas vous être applicable.

Cette garantie vous donne des droits juridiques spécifiques, et vous pouvez également jouir d'autres droits variant d'une province à l'autre.

Si vous désirez obtenir des informations sur le centre de service le plus proche, veuillez appeler KOMATSU ZENOAH AMERICA INC. au (770)-381-5147

**Note importante:** vous recevrez une carte d'enregistrement de garantie au moment de l'achat. Veuillez la remplir et l'adresser à RedMax / KOMATSU ZENOAH AMERICA sous sept (7) jours en prenant soin de conserver une copie pour vous.



KOMATSU ZENOAH AMERICA INC.  
4344 Shackelford Road Suite 500  
Norcross, Georgia 30093