



ILLUSTRATED PARTS MANUAL



Model Squall 2100 shown

Single-Stage Snow Thrower Squall 210 & Squall 2100

TROY-BILT LLC, P.O. BOX 361131 CLEVELAND, OHIO 44136-0019

To The Owner

Thank you for purchasing an MTD Snow Thrower. It was carefully engineered to provide excellent performance when properly operated and maintained.

All information in this manual is relative to the most recent product information available at the time of printing. Please be aware that this Illustrated Part's Manual may cover a range of product specifications for various models.

Components listed and/or illustrated in this manual may not be applicable to all models. We reserve the right to change product specifications, designs and equipment without notice and without incurring obligation.

Throughout this manual, all references to *right* (RH) and *left* (LH) are observed from the operating position.

Table of Contents

Shroud, Chute & Handle	4	Engine Model 161-JWA 123cc	8
Drive System & Auger Assembly	6	Engine Model 270-SU 208cc	12

Record Product Information

To ease in ordering replacement parts, please locate the model plate on the equipment and record the information in the provided area to the right. You can locate the model plate by looking beneath the seat.

MODEL NUMBER

--	--	--	--	--	--	--	--	--	--	--	--

SERIAL NUMBER

--	--	--	--	--	--	--	--	--	--	--	--

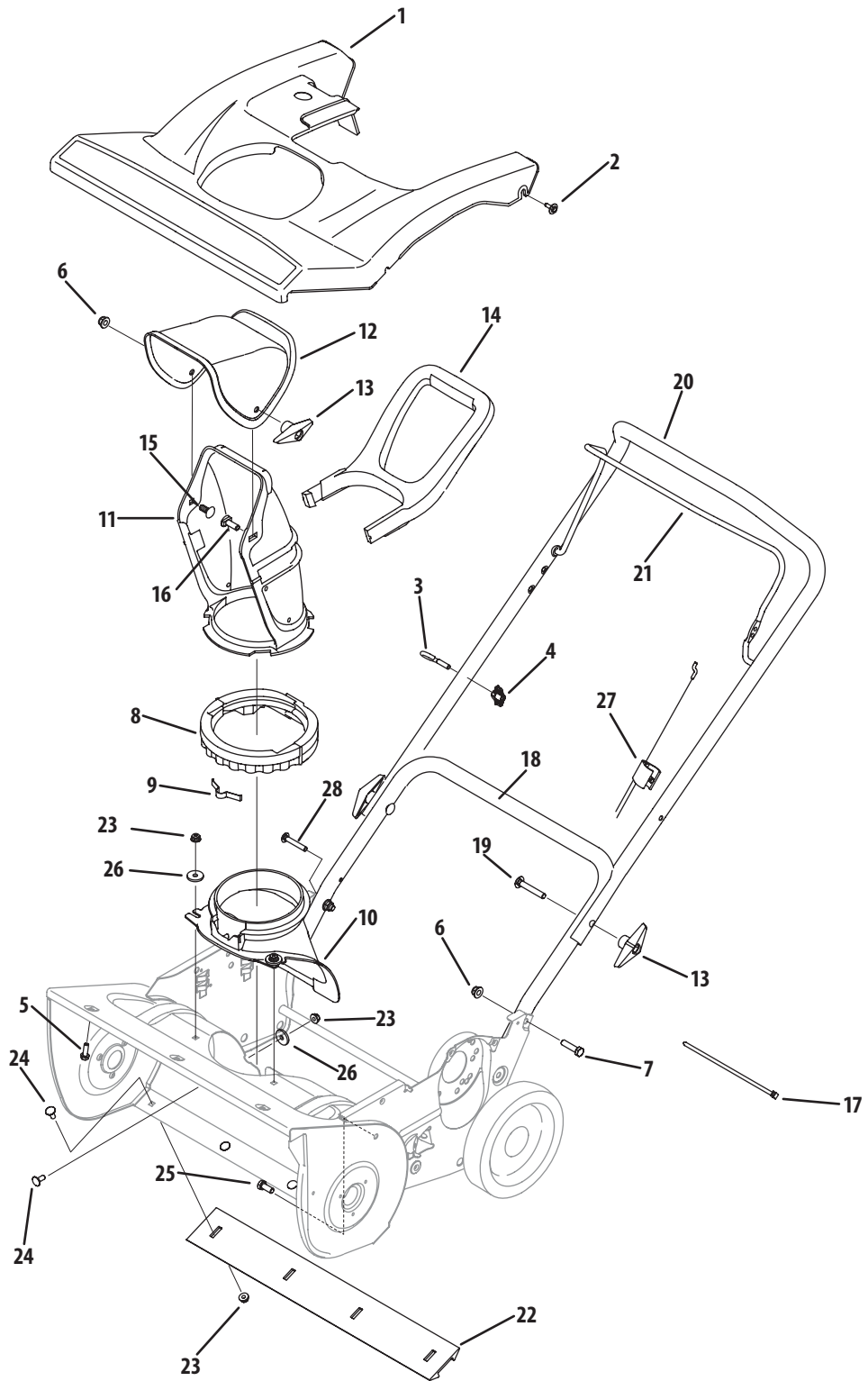
Painted Parts

When ordering painted service parts, a four digit color suffix must be added to the part number (e.g. 783-XXXXX-0637). Please refer to the table below for current color codes:

0637	Black	0674	Yellow (Yard-Man)
0709	Dark Green (Bolens, Yard-Man)	0650	Metallic Red (White Outdoor)
0662	Oyster Gray (MTD Gold)	0629	Silver Flake (MTD Platinum)
0638	Red (Yard Machines, Huskee, Troy-Bilt, MTD)	04038	Day Orange (Daedong)
0691	Black Jack (MTD Gold, MasterCut)	04033	Flint Mica (Troy-Bilt XP)

This page left intentionally blank.

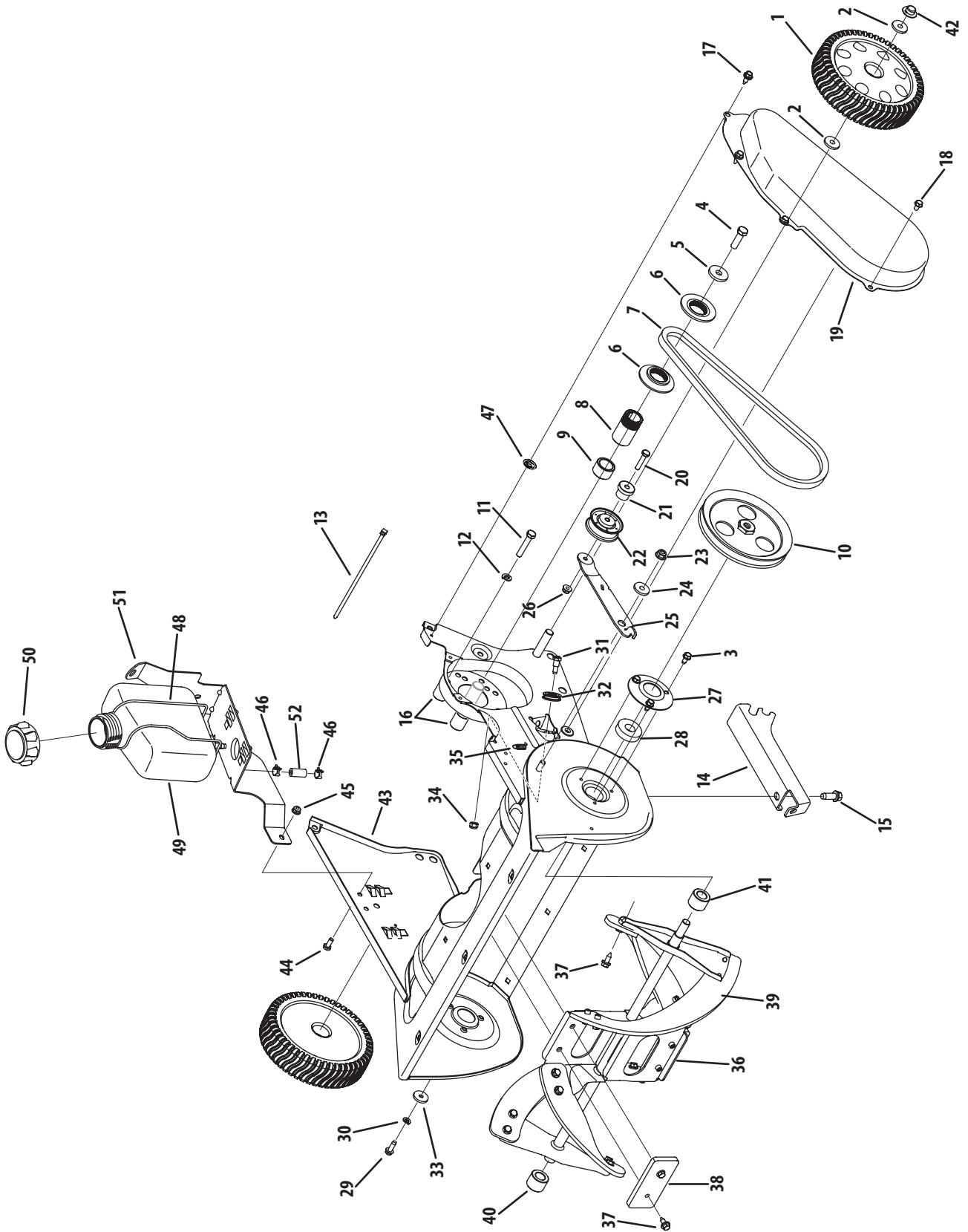
Shroud, Chute, & Handle



Ref.	Part Number	Description
1.	731-06551	Shroud
	684-04236A†	Shroud
2.	710-04669	Hex Washer Screw, 10-16 x .625
3.	710-1205	Eye Bolt, ¼-20
4.	720-0279	Knob Handle
5.	710-0895	Hex Washer Screw, ¼-15 x .750
6.	712-04063	Flange Lock Nut, ⅝-18
7.	710-1090	Hex Screw, ⅝-18 x 1.25
8.	931-04353	Lower Chute Ring
9.	932-04111	Chute Adjustment Spring
10.	931-04886	Chute Adapter
11.	931-04127	Lower Chute, 5" Diameter
12.	731-04426A	Upper Chute
13.	720-04072A	Wing Knob
14.	731-04388A	Chute Handle
15.	710-0451	Carriage Bolt, ⅝-18 x .750
16.	710-04071	Carriage Bolt, ⅝-18 x 1.00
17.	725-0157	Cable Tie, ⅜ x .05 x 7.4
18.	749-04114B	Lower Handle
19.	710-04532	Carriage Screw, ⅝-18 x 2.00
20.	749-04106A	Gullwing Handle
21.	747-04159A	Gullwing Control Bail
22.	731-1033	Shave Plate, 21"
23.	712-04064	Flange Lock Nut, ¼-20
24.	710-0134	Carriage Screw, ¼-20 x .62
25.	710-3008	Hex Screw, ⅝-18 x .75
26.	936-0176	Flat Washer, .265 x .938 x .120
27.	746-04237	Clutch Cable
28.	710-1882†	Hex Screw, ⅝-18 x 1.50

† Model 2M5

Drive System & Auger Assembly



Drive System & Auger Assembly

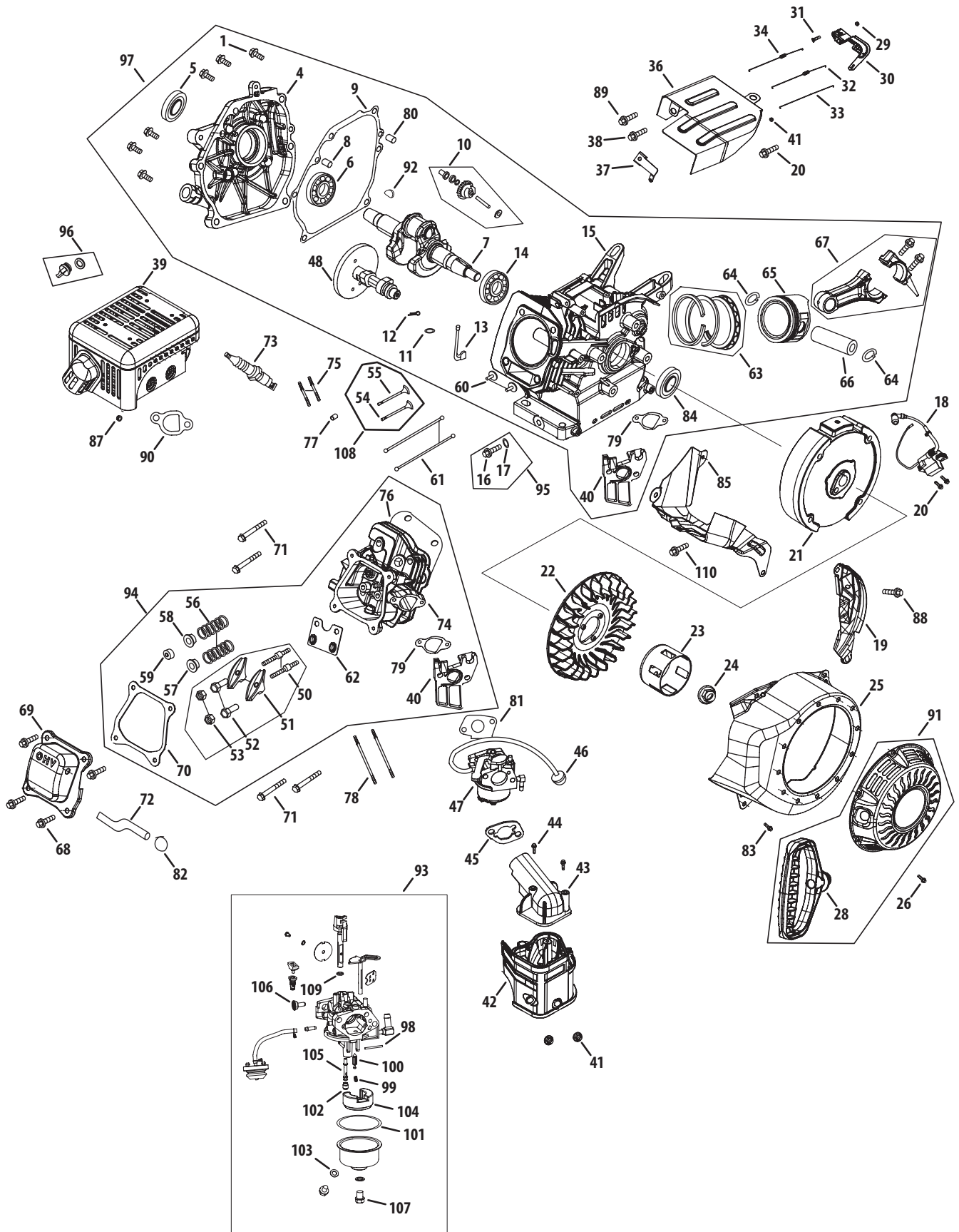
Ref.	Part Number	Description	Ref.	Part Number	Description
1.	734-04033	Wheel, 8 x 2 (Gray)	25.	790-00238A	Idler Bracket w/ Brake
	734-04063A†	Wheel, 7 x 1.5 (Gray)	26.	712-04064	Flange Lock Nut, ¼-20
2.	936-0326	Flat Washer, .510 x 1.000 x .125	27.	790-00249	Bearing Cup
3.	710-0599	Hex Screw, ¼-14 x .500	28.	741-04188A	Ball Bearing, 1.25 x 37 x 12.6301
4.	710-1044	Hex Screw, ⅜-24 x 1.50	29.	710-0642	Hex Screw, ¼-20 x .750
	710-0627†	Hex Bolt, ⅝-24 x .75	30.	936-0329	Lock Washer, ¼
5.	736-0247	Flat Washer, .406 x 1.25 x .157	31.	738-0924A	Shoulder Screw, .340 x .335 x ¼-28
	736-0371†	Bell Washer, .343 x .880 x .062	32.	756-0625	Cable Roller
6.	756-04353	Pulley Half, 4L-V x 2.30 OD	33.	936-0176	Flat Washer, .265 x .938 x .120
	956-0416B†	Pulley Half, .625 ID x .225 OD	34.	712-0896	Hex Lock Nut, ¼-28
7.	954-04204	V-Belt	35.	932-0357A	Extension Spring, .33 OD x 1.12
	954-0101A†	V-Belt	36.	684-04252	Auger Assembly, 21"
8.	750-04303††	Spacer, .875 ID x 1.185 OD		684-04227†	Auger Assembly, 21"
9.	750-05084††	Spacer, .88 ID x 1.18 OD x .74 Lg.	37.	710-05058	Hex Screw, ¼-14 x .75
10.	756-04232	V-Type Pulley, ½ x 35.7	38.	735-04033	Rubber Pad
11.	710-0409	Hex Screw, ⅝-24 x 1.75	39.	735-04032	Spiral Crescent
12.	936-0119	Lock Washer, ⅝	40.	750-04758	RH Spacer
13.	926-0154	Cable Tie, 7.5	41.	750-04757	LH Spacer
14.	790-00334	Engine Support Bracket	42.	726-0299	Push Cap, ½
	790-00216†	Engine Bracket	43.	684-04314	Auger Housing
15.	710-0623	Hex Washer Screw, ⅜-16 x .50	44.	710-0751†	Hex Bolt, ¼-20 x .620
16.	750-04297B	Spacer, .875 x .320 x 1.027	45.	712-04064†	Flange Lock Nut, ¼-20
17.	710-0896	Hex Washer Screw, ¼-14 x .625	46.	726-0205†	Hose Clamp, .490
18.	710-0653	Hex Washer Screw, ¼-20 x .375	47.	726-0233†	Push Nut, .25 ID x .50 OD
19.	790-00045C	Belt Cover	48.	747-04236†	Fuel Tank Support Wire
	684-04357†	Belt Cover	49.	951-10023†	Fuel Tank, 2 Qt.
20.	710-0106	Hex Screw, ¼-20 x 1.25	50.	751-10487†	Fuel Cap
21.	750-04571	Shoulder Spacer, .260 x .785 x .538	51.	790-00134†	Fuel Tank Bracket
22.	684-04168	Pulley Assembly, 1.917 OD	52.	751-10349†	Fuel Line Hose
23.	712-04063	Flange Lock Nut, ⅝-18	NS	929-0071A^††	Extension Cord
24.	748-0234	Shoulder Spacer			

† Model 2M5

†† Model 2P5

^ Not Shown

123cc 161-JWA Engine



123cc 161-JWA Engine

Ref. No.	Part No.	Description
1	710-04920	Flange Bolt
8	715-04092	Dowel Pin, 7 x 14
12	714-04074	Governor Arm Clip
16	710-04906	Drain Plug Bolt
17	736-04440	Drain Plug Washer
18	951-10958	Ignition Coil
19	951-11102	Flywheel Baffle
20	710-04919	Flange Bolt
21	951-10908	Flywheel
22	951-10910	Cooling Fan
23	951-10911	Starter Cup
24	712-04209	Nut
25	951-11107	Blower Housing
26	710-04914	Flange Bolt
28	731-05696	Recoil Starter Handle
29	712-04211	Nut
30	951-11106	Governor Arm Bracket
31	710-04908	Bolt
32	951-10954	Throttle Return Spring
33	951-11152	Governor Rod
34	951-10953	Governor Return Spring
36	951-11103	Cover Shield
37	951-11104	Governor Spring Bracket
38	710-04921	Flange Bolt
39	951-10901	Muffler Assembly
41	712-04212	Nut
42	951-10962	Intake Heater Box Base
43	951-10961	Intake Heater Box
44	710-04913	Bolt
46	951-10639	Primer
47	951-10956	Carburetor Assembly
50	710-04902	Pivot Bolt
52	751-11123	Valve Adjusting Nut
53	751-11124	Pivot Locking Nut
61	951-10913	Push Rod Kit
68	710-04916	Bolt
69	951-11054A	Valve Cover
71	710-04922	Bolt
72	731-07059	Breather Hose
73	951-10292	Spark Plug

Ref. No.	Part No.	Description
75	951-10657	Muffler Stud Assembly
77	715-04090	Dowel Pin, 10 x 16
78	710-04909	Carburetor Studs
80	715-04089	Dowel Pin, 9 x 14
82	726-04101	Hose Clamp
83	710-04916	Bolt
85	951-11105	Cylinder Baffle
87	712-04210	Nut
88	710-04918	Flange Bolt
90	951-10959	Muffler Gasket
91	951-10955	Recoil Starter Assembly
92	951-10307	Flywheel Key
96	951-10957	Dipstick Assembly
108	951-10912	Valve Kit
110	710-04928	Bolt
NS	731-05632	Ignition Key
—	951-11095	Crankcase Cover Kit
4	—	Crankcase Cover
9	—	Case Cover Gasket
96	951-10957	Dipstick Assembly
—	951-10951A	Gasket Kit - Complete
5	—	Oil Seal
9	—	Crankcase Cover Gasket
11	—	O-ring, 5.2 x 1.9
45	—	Carburetor Gasket
70	—	Head Cover Gasket
76	—	Cylinder Head Gasket
79	—	Carburetor Insulator Gasket
81	—	Packing
84	—	Oil Seal, 22 x 35 x 7
90	951-10959	Muffler Gasket
95	951-10370	Oil Drain Plug and Washer Assembly
96	951-10957	Dipstick Assembly
—	951-10952A	Gasket Kit - External
70	—	Head Cover Gasket
79	—	Carburetor Insulator Gasket
81	—	Packing
90	951-10959	Muffler Gasket
95	951-10370	Oil Drain Plug and Washer Assembly
96	951-10957	Dipstick Assembly

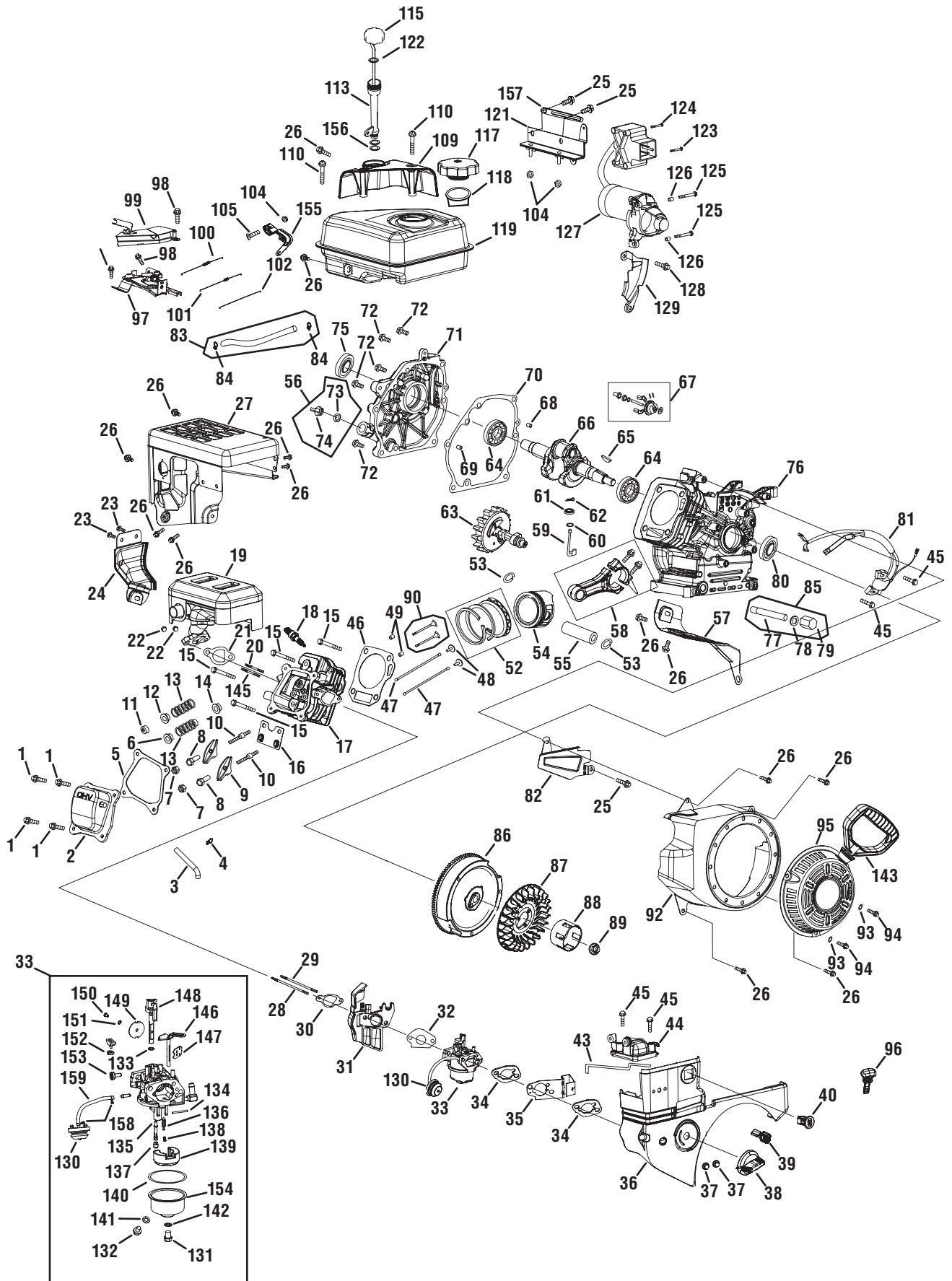
123cc 161-JWA Engine

Ref. No.	Part No.	Description
—	951-11097	Crankcase Kit
14	—	Bearing
15	—	Crankcase Complete
84	—	Oil Seal
—	951-11096	Crankshaft Kit
6	—	Bearing
7	—	Crankshaft Assembly
14	—	Bearing
92	951-10307	Flywheel Key
93	951-10948	Carburetor Kit - Major
98	—	Float Pin
99	—	Needle Valve Spring
100	—	Needle Valve
101	—	Bowl Gasket
102	—	Main Jet
103	—	Fuel Drain Plug Gasket
104	—	Float
105	—	Main Nozzle
106	—	Idle Speed Adjusting Screw
107	—	O-Ring- Main Cup Bolt
109	—	Throttle Shaft Dust Seal
94	951-10949A	Cylinder Head Assembly
40	—	Carburetor Insulator Plate
50	710-04902	Pivot Bolt
51	—	Rocker Arm
52	751-11123	Valve Adjusting Nut
53	751-11124	Pivot Locking Nut
56	—	Valve Spring
57	—	Intake Valve Spring Seat
58	—	Exhaust Valve Spring Seat
59	—	Exhaust Valve Adjuster
62	—	Push Rod Guide Plate
70	—	Head Cover Gasket
74	—	Cylinder Head - Complete
76	—	Cylinder Head Gasket
77	715-04090	Dowel Pin, 10 x 16
79	—	Carburetor Insulator Gasket
90	951-10959	Muffler Gasket
108	951-10912	Valve Kit

Ref. No.	Part No.	Description
—	951-11063A	Valve Cover Kit
69	951-11054A	Valve Cover
70	—	Valve Cover Gasket
95	951-10370	Oil Drain Plug and Washer Assembly
16	710-04906	Oil Drain Plug
17	736-04440	Oil Drain Plug Washer
97	951-10950A	Short Block Assembly
1	710-04920	Flange Bolt
4	—	Crankcase Cover
5	—	Oil Seal
6	—	Bearing
7	—	Crankshaft Assembly
8	715-04092	Dowel Pin, 7 x 14
9	—	Case Cover Gasket
10	—	Governor Assembly
11	—	O-ring Gov. Shaft
12	714-04074	Pin Lock
13	—	Governor Arm Shaft
14	—	Bearing
15	—	Crankcase Complete
16	710-04906	Oil Drain Plug
17	736-04440	Oil Drain Plug Washer
40	—	Carburetor Insulator Plate
45	—	Heat Pipe Intake Gasket
48	—	Camshaft Assembly
60	—	Valve Lifter
61	951-10913	Push Rod Kit
63	—	Piston Ring Set - Oil
64	—	Piston Pin Clip
65	—	Piston
66	—	Piston Pin
67	—	Connecting Rod Complete
70	—	Head Cover Gasket
76	—	Cylinder Head Gasket
79	—	Carburetor Insulator Plate Gasket
80	715-04089	Dowel Pin
84	—	Oil Seal
90	951-10959	Muffler Gasket
92	951-10307	Flywheel Key
96	951-10957	Dipstick Assembly

This page left intentionally blank.

208 cc 270-SU Engine



Ref. No.	Part No.	Description	Ref. No.	Part No.	Description
1	710-04968	Bolt	70	951-11371	Crankcase Cover Gasket
2	951-11054	Valve Cover	72	710-04932	Bolt
3	731-07059	Breather Hose	75	951-11368	Oil Seal
4	726-04101	Hose Clamp	78	736-04440	Washer
7	751-11124	Pivot Locking Nut	80	951-11370	Oil Seal
8	751-11123	Valve Adjusting Nut	81	951-10646	Ignition Coil
10	710-04902	Pivot Bolt	82	951-11110	Air Flow Shield
15	710-04933	Bolt	83	951-10650	Fuel Line Kit (incl. clmps and fuel line)
18	951-10292	Spark Plug	84	951-11731	Hose Clamp
19	951-11282	Muffler Assembly	85	951-10641	Oil Drain Ass'y, includes 77, 78, 79
20	710-05001	Stud	86	951-10805	Flywheel
21	951-11289	Muffler Gasket	87	951-10909	Cooling Fan
22	712-04214	Nut	88	951-10911	Starter Cup
23	710-04914	Bolt	89	712-04209	Nut
24	951-11111	Exhaust Pipe Shield	90	951-10647	Valve Kit (incl. intk and exhst valve)
25	710-04940	Bolt	92	951-10663A	Blower Housing
26	710-04915	Bolt	93	736-04455	Washer
27	951-10642A	Muffler Shroud	94	710-04974	Bolt
28	710-04939	Stud, M6 x117	95	951-10658	Recoil Starter Assembly
29	710-04910	Stud, M6 x 105	96	731-05632	Key
33	951-10638A	Carburetor Assembly	97	951-10758	Throttle Control Assembly
35	951-11112	Choke Control Bracket	98	710-05103	Bolt
36	951-10634	Engine Shroud	99	951-11108	Governor Shield
37	712-04213	Nut	100	751-11935	Governor Spring
38	951-11284	Choke Knob	101	951-10664	Throttle Return Spring
39	951-10757	Throttle Control Knob	102	951-10665	Governor Rod
40	951-10637	Ignition Switch	104	712-04212	Nut
43	951-10640	Choke Push Rod	105	710-04908	Bolt
44	951-10635	Heater Box	109	951-10662	Engine/Dipstick Cover
45	710-04919	Bolt	110	710-04905	Bolt
47	951-10648	Push Rod Kit (incl. intk and exhst rod)	113	751-11913	Dipstick Tube
49	715-04090	Dowel Pin	115	751-11912	Dipstick
57	951-11113	Air Shield	117	951-10649	Fuel Cap Assembly
59	951-11356	Governor Arm Shaft	118	951-11933	Fuel Level Indicator
60	736-04461	Washer	119	951-10653B	Fuel Tank
62	714-04074	Cotter Pin	121	951-11114	Switch Housing Mounting Bracket
64	951-11369	Radial Ball Bearing	122	751-11934	O-Ring
65	951-10307	Flywheel Key	123	710-04965	Bolt, M4 x 55
68	715-04092	Dowel Pin, 7 x 14	124	710-04935	Bolt, M4 x 60
69	715-04096	Dowel Pin, 9 x 14	125	710-05182	Bolt

208 cc 270-SU Engine

Ref. No.	Part No.	Description
126	715-04088	Dowel Pin
127	951-10645A	Electric Starter
128	710-04979	Bolt
129	951-11109	Blower Housing Shield
130	951-10639A	Primer
131	710-04945	Bolt
132	710-04938	Drain Bolt
143	731-05696	Starter Handle
155	951-11106	Governor Arm Bracket
156	951-11903	O-Ring
157	951-11680	Wire Clip
—	951-10651	Fuel Tank Nipple (Not Shown)
—	952Z270-SU	Engine, Complete
33	951-10638A	Carburetor Assembly
130	951-10639A	Primer
131	710-04945	Bolt
132	710-04938	Drain Bolt
133	—	Gasket, Throttle Plate
134	—	Float Pin
135	—	Emulsion Tube
136	—	Needle Valve
137	—	Main Jet
138	—	Needle Valve Spring
139	—	Float
140	951-11589	Fuel Bowl Gasket
141	951-11349	Fuel Drain Plug Gasket
142	951-11348	Fuel Bowl Gasket
146	—	Choke Shaft
147	—	Choke Plate
148	—	Throttle Shaft
149	—	Throttle Plate
150	—	Screw, M3x5
151	—	Lock Washer
152	—	Idle Jet Assembly
153	—	Idle Speed Adjusting Screw
154	—	Fuel Bowl
158	751-11906	Hose Clamp
159	751-12006	Primer Hose

Ref. No.	Part No.	Description
—	951-11060A	Short Block Assembly (Not Shown)
5	951-11565	Head Cover Gasket
21	951-11289	Muffler Gasket
30	951-11567	Carburetor Insulator Gasket
31	751-11896	Carburetor Insulator Plate
46	951-11572	Cylinder Head Gasket
48	751-11899	Tappet
49	715-04090	Dowel Pin
52	951-11253	Piston Ring Set
53	951-11632	Piston Pin Snap Ring
54	751-12007	Piston
55	951-11633	Piston Pin
58	951-11573	Connecting Rod Assembly
59	951-11356	Governor Arm Shaft
60	736-04461	Washer
61	751-11902	Governor Seal
62	714-04074	Cotter Pin
63	951-11575	Camshaft Assembly
64	951-11369	Radial Ball Bearing
65	951-10307	Flywheel Key
66	—	Crankshaft Assembly
67	951-11576	Governor Gear/Shaft Assembly
68	715-04092	Dowel Pin, 7 x 14
69	715-04096	Dowel Pin, 9 x 14
70	951-11371	Crankcase Cover Gasket
71	—	Case Cover
72	710-04932	Bolt
73	951-11577	O-Ring
74	—	Oil Fill Plug
75	951-11368	Oil Seal
76	—	Crankcase
77	951-11350	Oil Drain Pipe
78	736-04440	Washer
79	710-04906	Oil Drain Plug
80	951-11370	Oil Seal
145	951-10657	Muffler Stud Assembly
20	710-05001	Stud

Ref. No.	Part No.	Description	Ref. No.	Part No.	Description
—	951-11021	Carburetor Kit, Major (Not Shown)	—	951-10668A	Cylinder Head Assembly (Not Shown)
133	—	Gasket, Throttle Plate	5	951-11565	Head Cover Gasket
134	—	Float Pin	6	751-12000	Intake Valve Spring Seat
135	—	Emulsion Tube	7	751-11124	Pivot Locking Nut
136	—	Needle Valve	8	751-11123	Valve Adjusting Nut
137	—	Main Jet	9	751-11893	Rocker Arm
138	—	Needle Valve Spring	10	710-04902	Pivot Bolt
139	—	Float	11	751-12002	Exhaust Valve Adjuster
140	—	Fuel Bowl Gasket	12	751-12003	Exhaust Valve Spring Seat
141	—	Fuel Drain Plug Gasket	13	751-12004	Valve Spring
142	—	Fuel Bowl Gasket	14	751-11894	Intake Valve Seal
—	951-10661B	Gasket Kit, External (Not Shown)	16	751-11895	Push Rod Guide Plate
5	951-11565	Head Cover Gasket	17	—	Cylinder Head - Complete
21	951-11289	Muffler Gasket	21	951-11289	Muffler Gasket
30	951-11567	Carburetor Insulator Gasket	30	951-11567	Carburetor Insulator Gasket
31	751-11896	Carburetor Insulator Plate	31	751-11896	Carburetor Insulator Plate
32	751-11569A	Carburetor Gasket	46	951-11572	Cylinder Head Gasket
34	751-11897	Carburetor Gasket Plate	90	951-10647	Valve Kit
78	736-04440	Washer	—	951-11059A	Gasket Kit, Complete (Not Shown)
—	951-11246	Crankcase Cover Kit (Not Shown)	5	951-11565	Head Cover Gasket
64	951-11369	Radial Ball Bearing	21	951-11289	Muffler Gasket
70	951-11371	Crankcase Cover Gasket	30	951-11567	Carburetor Insulator Gasket
71	—	Case Cover	31	751-11896	Carburetor Insulator Plate
72	—	Cover Bolts	32	751-11569A	Carburetor Gasket
73	—	O-Ring	34	751-11897	Carburetor Gasket Plate
74	—	Oil Fill Plug	46	951-11572	Cylinder Head Gasket
75	951-11368	Oil Seal	60	736-04461	Washer
—	951-11247	Crankshaft Kit (Not Shown)	61	751-11902	Governor Seal
64	951-11369	Radial Ball Bearing	62	714-04074	Cotter Pin
65	951-10307	Flywheel Key	70	951-11371	Crankcase Cover Gasket
66	—	Crankshaft Assembly	75	951-11368	Oil Seal
75	951-11368	Oil Seal	78	736-04440	Washer
80	951-11370	Oil Seal	80	951-11370	Oil Seal
—	951-11249	Crankcase Kit (Not Shown)	—	951-11063	Valve Cover Kit (Not Shown)
61	751-11902	Governor Seal	2	951-11054	Valve Cover
64	951-11369	Radial Ball Bearing	5	951-11565	Head Cover Gasket
70	951-11371	Crankcase Gasket	56	951-11283	Oil Fill Plug Assembly
76	—	Crankcase	73	951-11577	O-Ring
80	951-11370	Oil Seal	74	—	Oil Fill Plug

To order replacement parts or locate your nearest service dealer call Customer Support at (800) 828-5500.
or visit www.troybilt.com to find the nearest authorized dealer in your area.

TROY-BILT LLC, P.O. BOX 361131 CLEVELAND, OHIO 44136-0019
