



**MODELS
W2005, W2006, W2007
CLASSIC FENCE**



INSTRUCTION MANUAL

Phone: 1-360-734-3482 • On-Line Technical Support: tech-support@shopfox.biz

COPYRIGHT © JANUARY 2000, REVISED MARCH 2004 BY WOODSTOCK INTERNATIONAL, INC.

**WARNING: NO PORTION OF THIS MANUAL MAY BE REPRODUCED IN ANY SHAPE OR FORM WITHOUT
THE WRITTEN APPROVAL OF WOODSTOCK INTERNATIONAL, INC.**

Printed in Taiwan



CONTENTS

INTRODUCTION	2
General.....	2
Warranty	3
SAFETY PRECAUTIONS	4
INSTALLATION	5
Inventory	5
Rail Installation	6
Correcting Mounting Hole Misalignment	7
Magnetic Switch	8
7-Foot Rails	9
Blade Guard	10
Fence	10
ADJUSTMENTS	11
Fence Parallelism	11
Lock Handle	12
Fence-to-Table Clearance	12
Scale and Cursor	13
OPERATIONS	14
Using a Wood Fence Facing	14
Using Board Buddies®	14
PARTS	15
W2005 Fence Parts Diagram	15
W2005 Standard Rail Parts Diagram	16
W2007 Leg and 7' Rail Parts Diagram	17
W2005 Parts List	18
W2007 Parts List	18

INTRODUCTION

General

Thank you for purchasing Woodstock International's **SHOP FOX®** Classic Fence. This fence is classic in its design and function, and provides a perfect upgrade for table saw owners who expect precision and ease of installation. It has been designed to fit almost all contractor and cabinet-style table saws and is easy to install.

The **SHOP FOX®** Fence features include:

- Wide T-shape style design for maximum accuracy and support.
- Single locking action cam lever.
- Simple mounting procedure, easy lift off design for the fence makes using jigs and fixtures simple.
- HDPE high durability plastic fence surface provides low sliding resistance.
- Fence can be used on either the right or left side of the blade.
- Magnified cursor can be mounted on either side of the fence.
- Fence body has powder coated paint surface for durability.
- Standard rails provide 25" maximum rip to the right of the blade (W2005).
- Optional long rails provide 54" maximum rip to the right of the blade (W2006).

Woodstock is pleased to provide this manual to assist in the installation and operation of the **SHOP FOX®** Classic Fence. It represents our effort to offer the finest documentation available. If you feel there are areas where this manual could be improved, we encourage you to write us with your comments at the following address:

Technical Documentation
Woodstock International, Inc.
P.O. Box 2309
Bellingham, WA 98227
Tel: (360) 734-3482
Fax: (360) 671-3050

WARNING

This fence was specifically designed to be used on table saws to assist in cutting operations. **DO NOT MODIFY AND/OR USE THIS FENCE FOR ANY OTHER PURPOSE.** Modifications or improper use of this device will void the warranty. If you are confused about any aspect of this accessory, **DO NOT** use it until all your questions have been answered. Serious injury may occur.



Warranty

Woodstock International, Inc. (Woodstock) warrants this product against defects in workmanship and materials under normal use and service for a period of one year. This warranty extends to the original purchaser from the date of purchase. This warranty does not apply to defects due directly or indirectly to misuse, abuse, negligence, accidents, repairs or alterations or lack of maintenance.

This is Woodstock's sole written warranty and any and all warranties that may be implied by law, including any merchantability or fitness, for any particular purpose, are hereby limited to the duration of this written warranty. We do not warrant or represent that the merchandise complies with the provisions of any law or acts. In no event shall Woodstock's liability under this warranty exceed the purchase price paid for the product and any legal actions brought against Woodstock shall be tried in the State of Washington, County of Whatcom.

We shall in no event be liable for death, injuries to persons or property or for incidental, contingent, special or consequential damages arising from the use of our products.

To take advantage of this warranty, the product or part must be returned to the original place of purchase. Proof of purchase must accompany the merchandise. Woodstock reserves the right to change specifications at any time since we constantly strive to achieve better quality equipment.

We make every effort to ensure that our products meet high quality and durability standards and we hope you never need to use this warranty.

SAFETY PRECAUTIONS

These safety rules cannot cover every situation in a woodshop. Consider your conditions when setting up and using your SHOP FOX® Classic Fence.

WARNING

1. **KNOW YOUR TABLE SAW.** Read the owner's manual carefully. Learn the tool's applications and limitations, as well as its particular hazards.
2. **DO NOT REMOVE GUARDS.** Maintain guards in working order.
3. **ENSURE THAT YOUR TABLE SAW IS ELECTRICALLY GROUNDED.** Never remove the grounding prong.
4. **KEEP WORK AREA CLEAN.** Cluttered areas invite accidents.
5. **AVOID DANGEROUS ENVIRONMENTS.** Do not use power tools in damp or wet locations or expose them to rain. Keep your work area well lighted.
6. **MAKE WORKSHOP CHILD-PROOF** with padlocks, master switches, or by removing starter keys.
7. **DO NOT FORCE WORK THROUGH TABLE SAW.** Tools work better and more safely when they are allowed to work at their own speed.
8. **WEAR PROPER APPAREL.** Do not wear loose clothing, gloves, neckties, or jewelry that might get caught in moving parts. Non-slip footwear should be worn. Tie back long hair.
9. **NEVER STAND OR LEAN ON TOOL.**
10. **ALWAYS USE SAFETY GLASSES, EAR PROTECTION AND RESPIRATORY PROTECTION.**
11. **DO NOT OVERREACH.** Keep proper footing and balance at all times.
12. **USE A PUSH STICK WHEN CUTTING NARROW PIECES.**
13. **DO NOT REACH BEHIND TABLE SAW TO GRAB CUTOFF PIECE.** If wood binds against saw blade it will kick back faster than you can let go.
14. **DO NOT LET THE END OF THE WORKPIECE CONTACT THE FENCE WHILE CROSSCUTTING WOOD WITH THE MITER GAUGE.** There is a potential for kick-back. Move the fence away.
15. **DISCONNECT TABLE SAW FROM POWER** before servicing and when changing accessories, such as blades, bits, and cutters.
16. **AVOID ACCIDENTAL STARTING.** Make sure the switch is in the "OFF" position before plugging in the cord.
17. **CHECK DAMAGED PARTS.** Do not operate the table saw until you are certain it is in perfect running condition.
18. **NEVER LEAVE THE TABLE SAW RUNNING UNATTENDED - TURN POWER OFF.** Do not leave the saw until it comes to a full stop.
19. **DO NOT OPERATE EQUIPMENT IF USING DRUGS, ALCOHOL, OR MEDICATION.**
20. **DO NOT OPERATE EQUIPMENT** if you are mentally or physically fatigued.
21. **IF THERE IS SOMETHING YOU DO NOT UNDERSTAND, DO NOT OPERATE MACHINE!** Ask for help first.
22. **BAD HABITS ARE DANGEROUS.** Review all safety procedures often.



INSTALLATION

Inventory

Installation of the SHOP FOX® Classic Fence involves mounting the front and back rails to your table saw, setting the fence on the rails and doing a simple alignment. First check the contents of the package:

Model W2005

Fence Assembly	1
Back Rail	1
Front Rail	1
Front Rail Rectangular Tube	1
Scale	1
Drill and Tap	1
Blade Guard Clamp Bag	
• V-Clamp	1
• L-Bracket	1
• Locking Plate	1
• Hex Bolt 1/4-20 X 1 1/2"	2
• Flat Washer 1/4"	4
• Hex Nut 1/4-20	2
• Hex Bolt 5/16-18 X 3/4"	1
• Flat Washer 5/16"	2
• Hex Nut 5/16-18	1
Rail Mounting Bags	
• Hex Bolt 1/4-20 X 3/4"	4
• Hex Bolt 3/8-16 X 1"	4
• Flat Hd Scr 1/4-20 X 3/4"	2
• Flat Washer 1/4"	10
• Flat Washer 3/8"	8
• Hex Nut 1/4-20	2
• Hex Bolt M10-1.5 X 25	4

Model W2006

Fence Assembly	1
All other components are the same as the Model W2007.	

Model W2007

Back Rail 7'	1
Front Rail 7'	1
Front Rail Rectangular Tube 7'	1
Scale	1
Drill and Tap	1
Blade Guard Clamp Bag	
• V-Clamp	1
• L-Bracket	1
• Locking Plate	1
• Hex Bolt 1/4-20 X 1 1/2"	2
• Flat Washer 1/4"	4
• Hex Nut 1/4-20	2
• Hex Bolt 5/16-18 X 3/4"	1
• Flat Washer 5/16"	2
• Hex Nut 5/16-18	1
Rail Mounting Bags	
• Hex Bolt 1/4-20 X 3/4"	4
• Hex Bolt 3/8-16 X 1"	4
• Flat Hd Scr 1/4-20 X 3/4"	2
• Flat Washer 1/4"	10
• Flat Washer 3/8"	8
• Hex Nut 1/4-20	2
• Hex Bolt M10-1.5 X 25	4
Legs	2
Support Bracket	2
Feet	2
Leg Mounting Bag	
• Hex Nut 1/2-12	2
• Flat Washer 3/8"	8
• Hex Bolt 1/4-20 X 1 1/2"	4
• Flat Washer 1/4"	4
• Hex Bolt 3/8-16 X 5/8"	2

Note—Extra mounting hardware has been included to compensate for differences between table saws. You may not need all of the hardware that is included in the inventory.

⚠ WARNING

UNPLUG the saw power cord, and TURN OFF the power switch before you begin fence installation procedures. Accidental saw startup while installing or adjusting the fence will result in serious personal injury.

Rail Installation

On most saws, the mounting holes for the rails will match the existing rail mounting holes. On the saws where the mounting holes do not line up, see **Correcting Mounting Hole Misalignment on Page 14** for instructions on drilling new holes.

Metric and standard hex bolts have been included to fit most common rail installations.

Mounting the Back Rail

1. Remove the mounting hardware for the blade guard which extends over the back edge of the table. (Be sure to reinstall the guard after completion.)
2. Locate the back fence rail (the rail with the two rectangular cut-outs on one edge and one cutout on the other edge) and set it against the rear edge of the table saw.

3. Position the back rail so its top edge is flush with the table top and the rectangular cut-outs are in line with the miter slots. See **Figure 1**.

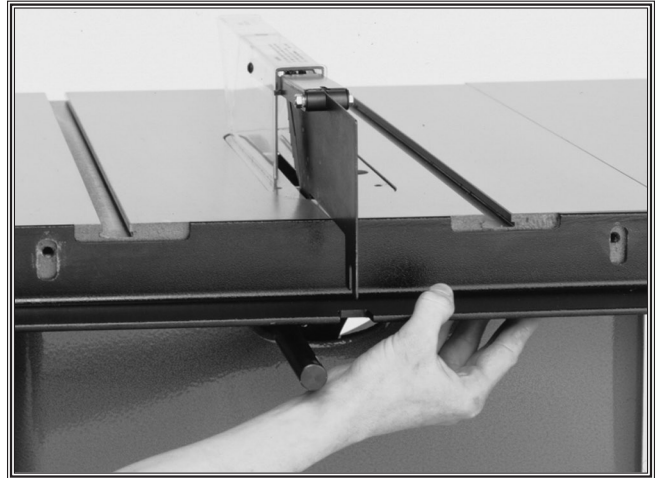


Figure 1. Attaching the back rail.

4. Attach the rail using the mounting hardware from the old rail or two 3/8"-16 x 1" or M10-1.5 X 25 hex head bolts and washers. Secure as shown in **Figure 2**.

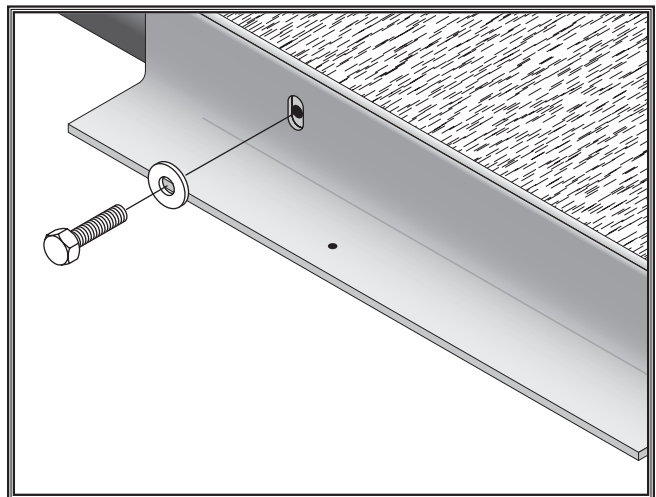


Figure 2. Mounting the front and back rails.

Mounting The Front Rail

1. Align the side of the front rail with two rectangular cutouts against the edge of the table.
2. Set the top edge of the front rail so it is flush with the table top and the cutouts are in line with the miter slots. If your saw table has a beveled front edge, then align the top of the rail with the bottom edge of the bevel. See **Figure 3**.

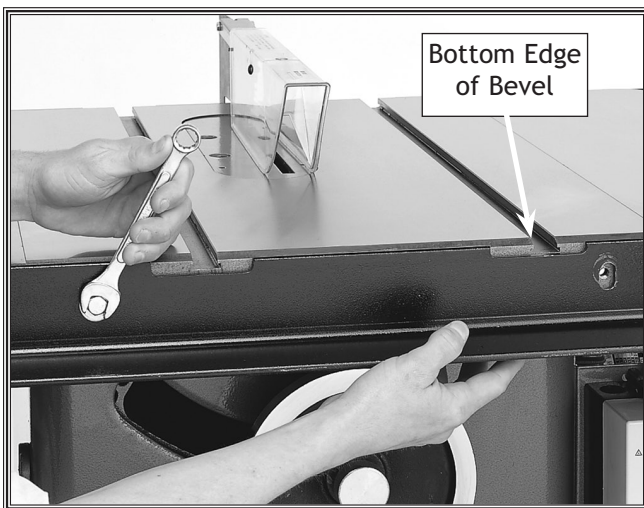


Figure 3. Attaching the front rail bracket.

3. Attach the rail using the mounting hardware from the old rail or two 3/8"-16 x 1" or M10-1.5 X 25 hex head bolts and washers. Secure as shown in **Figure 2**.

Mounting The Front Rail Tube

1. Orient the machined flat edge of the tube so it faces the table edge.
2. Thread four 1/4-20 X 3/4" hex bolts and 1/4" washers through the rail and into the threaded holes in the bottom of the tube.
3. If your table has a beveled front edge, it may be necessary to install spacers or shims between the rail and the rectangular tube as shown in **Figure 4**. The spacers should equal approximately the height of the bevel (3/8" on most saws). Four to six washers installed with each of the four attachment screws should raise the height of the tube enough to assure clearance of the fence above the table surface.
4. Mount the fence on the rails and check the clearance between the bottom edge of the HDPE facing and the table top.
5. Add or remove shims from the tube to rail mounting until a clearance of at least 1/16" is achieved. Note—*This clearance should never exceed 1/8", as this can allow material to get under the fence during certain types of sawing operations.*

Note: Do not install the scale at this time.

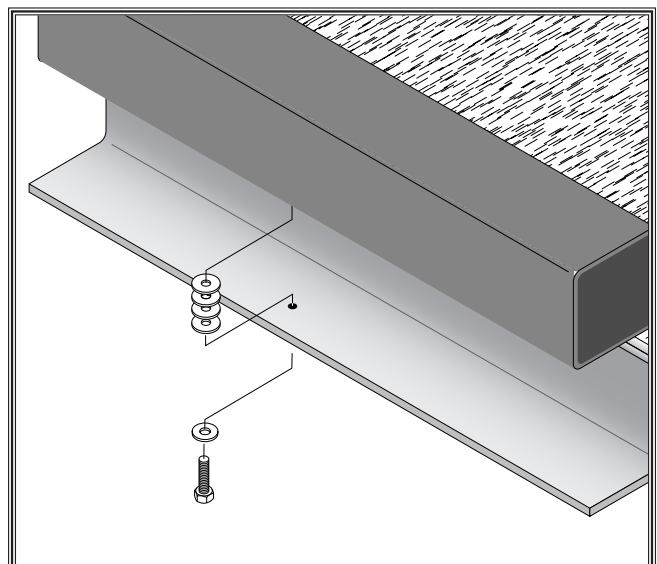


Figure 4. Shimming the front tube.

Fence

1. Raise the lock handle up to release the fence locking tab and place the fence down on the rails.
2. Make sure the angle bracket of the fence assembly fits easily into the slot created by the front rail bracket and rectangular tube.
 - If any binding is experienced, loosen the rail mounting bolts and adjust the rails.
3. Install the fence, and check to see that it slides smoothly along the rails without binding or catching on the table surface.
 - If any binding is experienced, loosen the rail mounting bolts and adjust the rails.
4. Make sure you keep the rail support pad free of debris and dirt. This pad is pre-positioned so that it slides along the top of the rail or the top of the table. The rear rail support pad is located on the underside of the fence. See **Figure 5**.

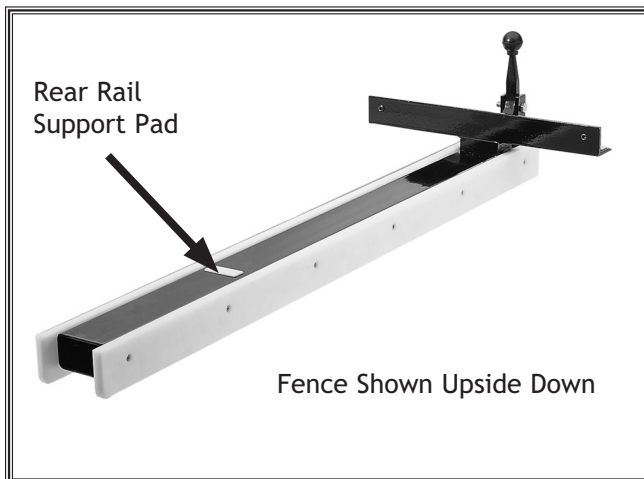


Figure 5. Rear rail pad location.

7-Foot Rails

The W2006/2007 extended 7' rail set for the SHOP FOX® Classic Fence increases the rip capacity to the right of the blade to 54". These are mounted in the same manner as the standard rails. The long rail set also includes legs which provide added stability for the table saw/fence assembly when large or heavy work is positioned on the table.

Mounting the extension legs

1. Attach rails according to the rail installation instructions on **page 6 & 7**.
2. Thread a 1/2" hex nut onto each foot and thread a foot into the bottom of each leg.
3. Loosely bolt a brace to each of the legs with a 3/8-16 x 3/4" hex bolt and three 3/8" washers. Place two of the washers between the leg and the brace.
4. Position the legs as shown in **Figure 6** and insert two 1/4-20 x 1/2" hex bolts with washers through each rail and loosely thread them into the legs.
5. Rotate the braces up and thread a 3/8-16 x 5/8" hex bolt with a washer through each rail and into the braces.
6. Place a level on the rails and adjust the feet until the rails are level, then tighten the hex nuts on the feet against the bottom of the legs.
7. Tighten all of the bolts.

Extension Table

An extension table should be mounted between the fence extension rails to provide workpiece support. The extension table width should be sized to fit in the gap between the rails. The length of the table extension can be set so the table replaces the existing right wing of the saw (if your saw is so equipped) or can be used in conjunction with the existing wing.

Constructing the extension table

1. Construct the extension table as shown in **Figure 6** using a frame with a separate top or a solid table can be made from countertop materials with a 3/4" to 1" thick particle board surfaced with a Melamine® or Formica® type of material.

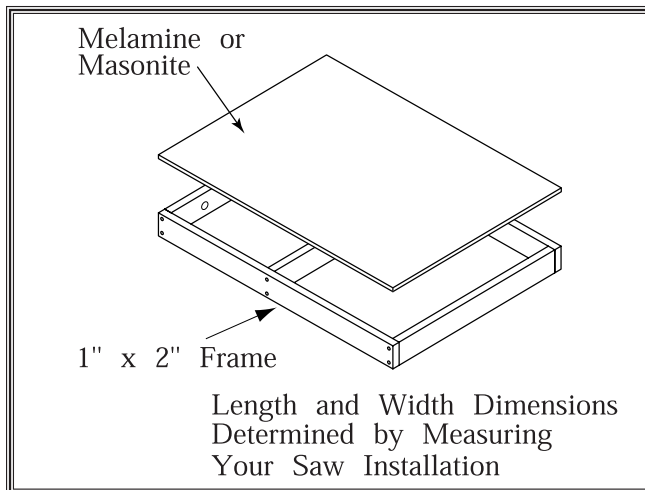


Figure 6. Extension table.

2. When installing the extension table, be sure it is flush with the table saw top by placing a long straightedge across both tables and adjusting the extension until it is even along the length of the straightedge. **Figure 7** shows a typical installation.

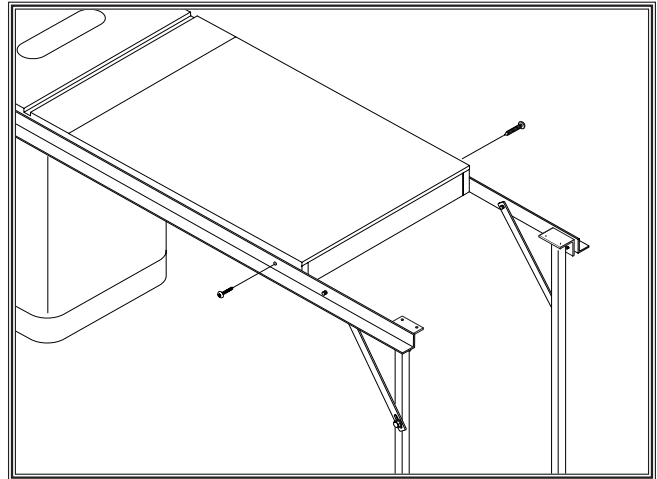


Figure 7. Extension rails and table assembly.

Blade Guard

The SHOP FOX® Classic Fence is intended to work with all table saw blade guards. After installing the rear rail you will be able to reinstall the guard assembly without interference with the rail. A typical installation is shown below in **Figure 8**.

If you have any questions or concerns about the blade guard on your saw working in conjunction with the new fence, please see your dealer or contact Woodstock's Technical Support.

WARNING

DO NOT operate the saw without a blade guard installed. Operating without a guard creates a risk of injury from kickback or flying debris. If you encounter any difficulty with reinstalling the blade guard with the new fence system, contact Woodstock's Technical Support.

Magnetic Switch

At the left hand edge of the front rail there are pre-drilled holes which can be used to mount the table saw ON/OFF switch to the rail. This relocation of the magnetic switch makes it easy to turn the saw on and off without reaching underneath the table. Consult the instruction manual for your saw table to determine whether it is possible to locate your switch on the rail. Mount the switch to the rail using the 1/4-20 X 3/4" flat head screws, 1/4-20 hex nuts, and 1/4" flat washers.

Always make certain the saw is disconnected from the power supply before opening the switch box.



Figure 8. Rail and guard bracket installation.

ADJUSTMENTS

Your SHOP FOX® Classic Fence requires little adjustment since most of the features are built-in to the fence at the factory. The primary adjustment is to adjust the fence so it is parallel to the saw blade.

⚠ WARNING

UNPLUG the saw power cord, and TURN OFF the power switch before you begin fence adjustment procedures. Accidental saw startup while adjusting the fence will result in serious personal injury.

Fence Parallelism

If your table saw has been properly adjusted, the saw blade should be parallel to the miter slot. Refer to your table saw manual for the proper procedure to check and adjust the saw blade to the miter slot correctly.

1. Locate the two setscrews on the lower edge of the fence bracket. See Figure 9.

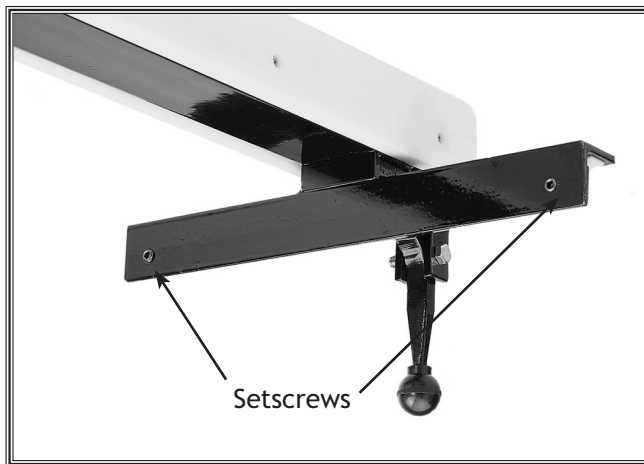


Figure 9. Setscrews on bracket.

2. Turn the setscrews to align the edge of the fence to the edge of the miter slot while alternately locking and unlocking the fence lock lever.
3. Check to see if the fence is parallel along the length of the miter slot, carefully slide the tip of your finger along the edge of the miter slot and the fence to detect a variation in spacing.
4. Readjust the setscrews as required.

If the wood is binding when fed through the table saw and the cut edge is burned, the fence may need to be adjusted out slightly. Use the setscrews to adjust the back end of the fence approximately $\frac{1}{64}$ " away from the miter slot. Figure 10 shows the fence adjusted for use on the right side of the blade.

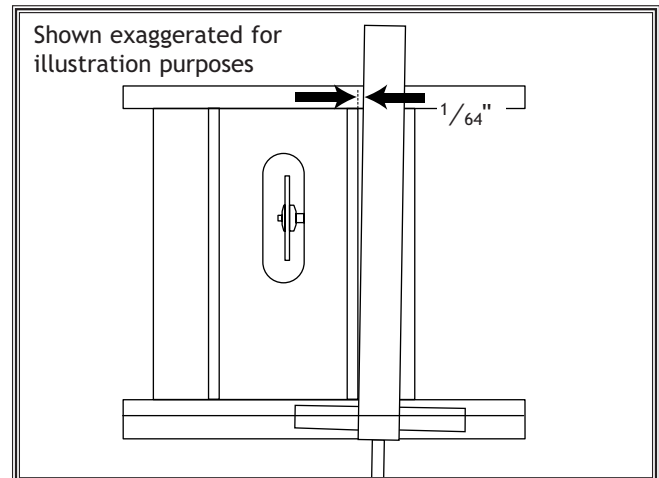


Figure 10. Lead adjustment.

⚠ CAUTION

DO NOT cut on the left side of the blade if the fence was adjusted for cutting on the right side of the blade. The wood will pinch and could cause dangerous kick-back. Readjust the fence when changing the side of the blade you are cutting on.

Fence-to-Table Clearance

It is important to minimize the gap between the bottom of the fence and the table so thin material will not slide under the fence during operation. This clearance must be uniform along the table surface. It is also very important that the fence does not contact the table surface when sliding from side to side.

The support pads, two on the T shaped rail and one on the end of the fence, support the fence above the front and rear rails. As long as those rails are flush with the table surface, the table clearance should be okay. Over time these pads will wear and may eventually need replacement. Replacement pads are available from your dealer.

If ripping thin laminates or veneers, clamp an auxiliary fence to the **SHOP FOX®** Classic Fence so it rests right on the table. This will ensure that thin material will not slip under the fence.

Lock Handle

The lock handle is cam actuated and locks against the machined edge of the front rail rectangular tube. Generally it will require no adjustment. However it is sometimes possible that the process of aligning the fence as described the **Fence Parallelism on Page 11** will cause the clamp to be too tight or too loose. This can result when the setscrews are both adjusted too far in or too far out.

To check the locking adjustment, lock the handle in the down position, then try to move the fence by pushing on its side. If the fence slips when pushing with a moderate amount of force (approximately 50 lbs. of lateral force), it should be adjusted. Turn both setscrews in an equal amount, then perform the parallelism adjustment described on **Page 11** again. This will bring the locking cam closer to the front rail tube and increase the locking pressure.



Figure 11. Lock Handle close up.

Scale and Cursor

The self adhesive scale and magnified cursor provide fast and accurate fence positioning.

1. Loosen the adjusting screws on the magnified cursor until the cursor can be adjusted.
2. Raise the table saw blade guard out of the way. With the fence mounted on the right side of the blade, slide it over until its left edge touches the side of the blade. **See Figure 12.**



Figure 12. Fence contacting the blade.

3. Centralize the magnified cursor within its range of adjustment and tighten the screws. Mark the position of the hairline on the front rail tube with a pencil. This is the zero mark for applying the scale.
4. Remove the fence and apply a strip of masking tape along the rail a $\frac{1}{2}$ " in from the front edge.
5. Using the zero mark as the starting point and the masking tape as a guide, apply the adhesive scale to the rail. **See Figure 13.** Push the scale into place with heavy thumb pressure.

Be careful when laying the scale into position because the scale can be stretched if too much pressure is applied.

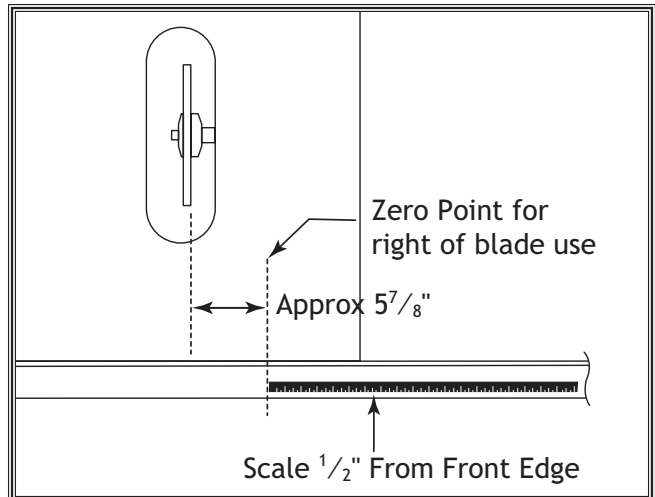


Figure 13. Scale location for right-side blade use.

6. To fine tune the position of the magnified cursor, make a test cut and adjust the cursor to correspond with the actual width of the test board. This method accounts for any vibration or wobble that may be present in the spinning blade.

Different blades may have different widths of cutting teeth, so readjustment is required whenever changing type or style of blade. This procedure must be repeated every time the saw blade is changed to maintain accuracy.

When cutting on the left side of the blade, this scale will not be accurate. It is possible to attach another scale (not included) which can be set for left side cutting. **See Figure 14.** The magnified cursor assembly can be moved to the left side of the fence to allow for orienting a separate scale.

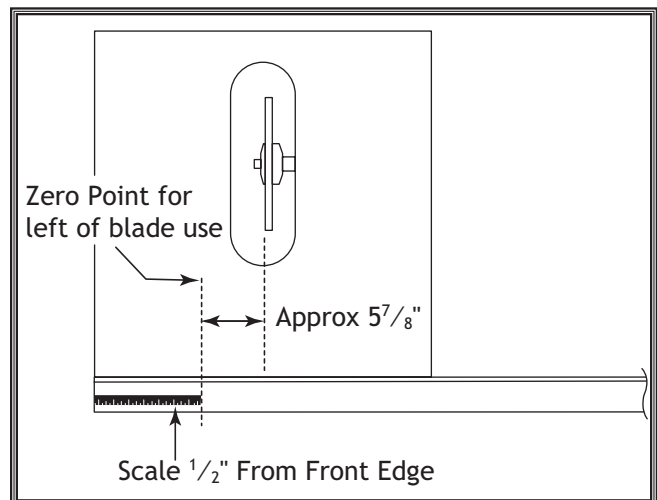


Figure 14. Scale location for left-side blade use.

Correcting Mounting Hole Misalignment

If the front and back mounting holes do not line up with the existing holes in the table top, it will be necessary to drill additional holes using one of the three following methods. Drilling and tapping holes into the edge of the table, drilling through the edge of the table and securing the rail with long bolts, washers, and nuts, or drilling holes in the rail that align with the holes in the table top.

Drilling and Tapping Mounting Holes

1. Position the rails flush with the top of the table saw table, and with the left end of the rails even with the left edge of the table extension.
2. Clamp the rails to the table saw using C-clamps or bar clamps.
3. Mark the mounting holes on the edge of the table.
4. Remove the rail and center punch the middle of the outlined holes on the table edge.
5. At each center punch location, drill a $\frac{1}{8}$ " diameter starter hole, then drill a $\frac{5}{16}$ " hole using the bit supplied with the **SHOP FOX®** Classic Fence.
6. Insert the included $\frac{3}{8}$ "-16 tap in a tap wrench if one is available. If a tap wrench is not available use a socket and ratchet wrench.
7. Carefully align the tap with the hole. Advance the tap half a turn, back it out half a turn, advance another half turn, etc., until the tap turns freely or can be visually seen at the exit end of the hole.
8. Back the tap out and proceed to the next hole. It is not necessary to use cutting oil when tapping cast iron.
9. Install the rails and the bolts.

Drilling Through-Holes

1. Position the rails flush with the top of the table saw table, and with the left end of the rails even with the left edge of the table extension.
2. Clamp the rails to the table saw using C-clamps or bar clamps.
3. Mark the mounting holes on the edge of the table.
4. Remove the rail, and center punch the middle of the outlined holes.
5. Drill a $\frac{7}{16}$ " hole all the way through the table edge. Again, cutting oil should not be required, but be sure to use a relatively slow speed on the drill.
6. Remove any chips or burrs around the edge of the hole which might cause the rail to mount crooked.
7. Install the rails and long bolts and make sure that the nut is fully threaded on the bolt.

Drilling Holes In the Rails

1. Clamp the rails to the table.
2. Using a try square and pencil, transfer the location of the rail mounting hole onto the rails.
3. Remove the rails, and center punch the middle of the outlined holes.
4. Drill $\frac{1}{2}$ " holes in the rails that match the rail mounting holes in your table.
5. Remove any chips or burrs around the edge of the hole which might cause the rail to mount crooked.
6. Install the rails and bolts.

OPERATIONS

To operate this, or any tool, safely and efficiently, it is essential to become as familiar with its characteristics as possible. Take as much time as necessary to become acquainted with the SHOP FOX® Classic Fence. The time you invest before you begin to use it will be time well spent.

Using a Wood Fence Facing

The SHOP FOX® Classic Fence can be faced with $\frac{3}{4}$ " kiln dried hardwood, plywood or medium density fiber board (MDF) in place of the HDPE plastic fence sides. For certain operations such as dadoing or close sawing, it is necessary to have a fence material which can be cut into. If using kiln dried lumber, use a piece that is free of knots and other defects and preferably a species with dimensional stability such as maple, birch or beech.

CAUTION

It is extremely important to attach the wood facing correctly. Lumber less than $\frac{3}{4}$ " is not recommended. Screws or fasteners must be counter sunk at least $\frac{1}{8}$ " below the wood surface, but no more than $\frac{1}{4}$ ".

Attaching the wood facing to the fence:

1. Size a suitable piece of wood for the face of the fence.
2. Drill and counterbore six $\frac{3}{8}$ " mounting holes in the wood face piece using the HDPE supplied fence facing as a drill guide.
3. Attach the wood facing to the fence, making sure the screws are counterbored $\frac{1}{8}$ " - $\frac{1}{4}$ " below the wood surface. Do not over tighten.

Using Board Buddies®

A T-slot track can be mounted in the top of the SHOP FOX® Classic Fence to accept another popular product from Woodstock International - Board Buddies®. These one directional, spring loaded hold-down wheels keep material pressed firmly against the table and fence. They are fully adjustable and non-marking.

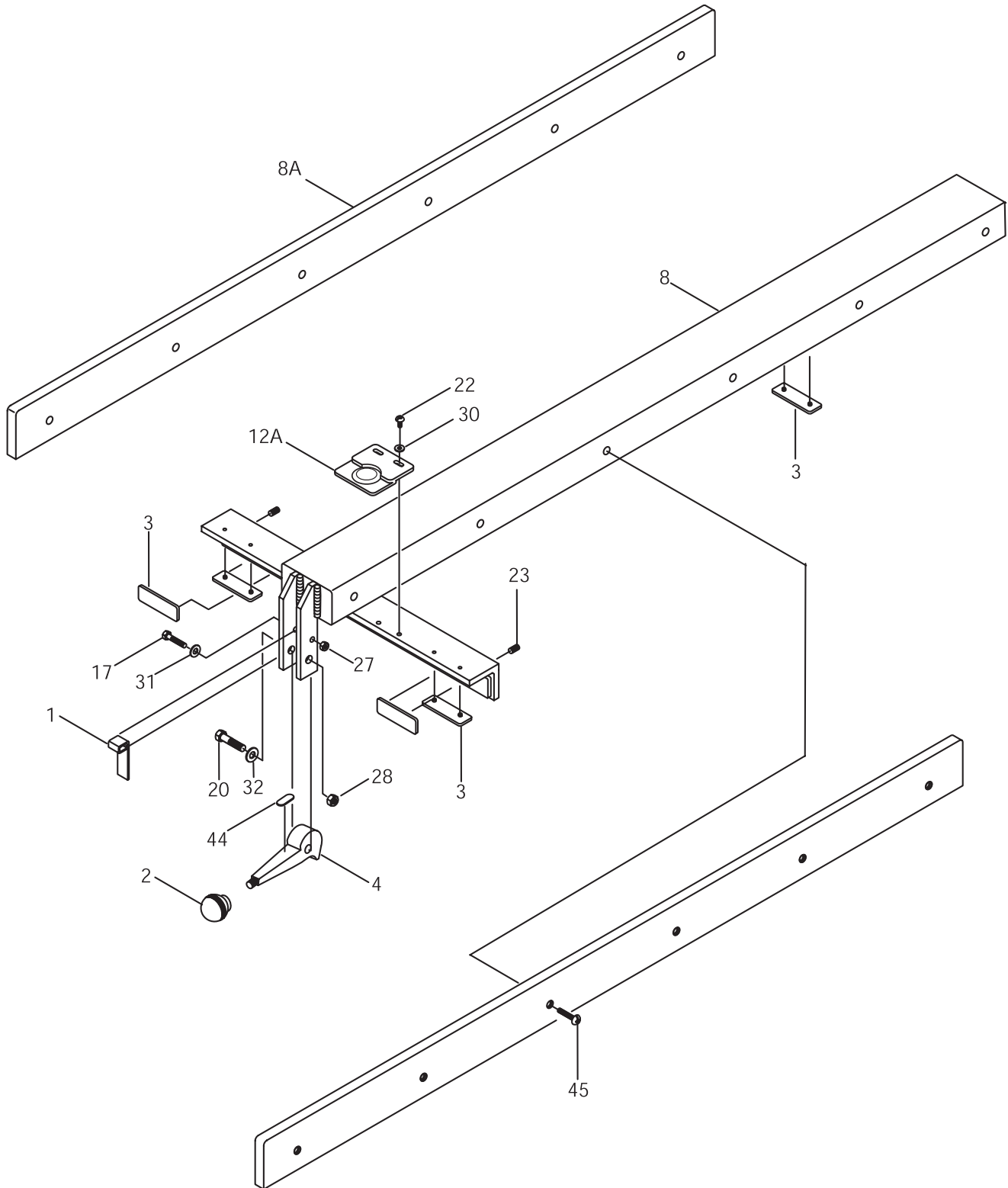
Be sure to request the T-nuts and T-slot tracks separately from your Woodstock dealer for mounting Board Buddies® to your fence. Board Buddies® are a great addition to any fence system! For the location of your nearest Woodstock dealer, call Woodstock International at (360) 734-3482.

WARNING

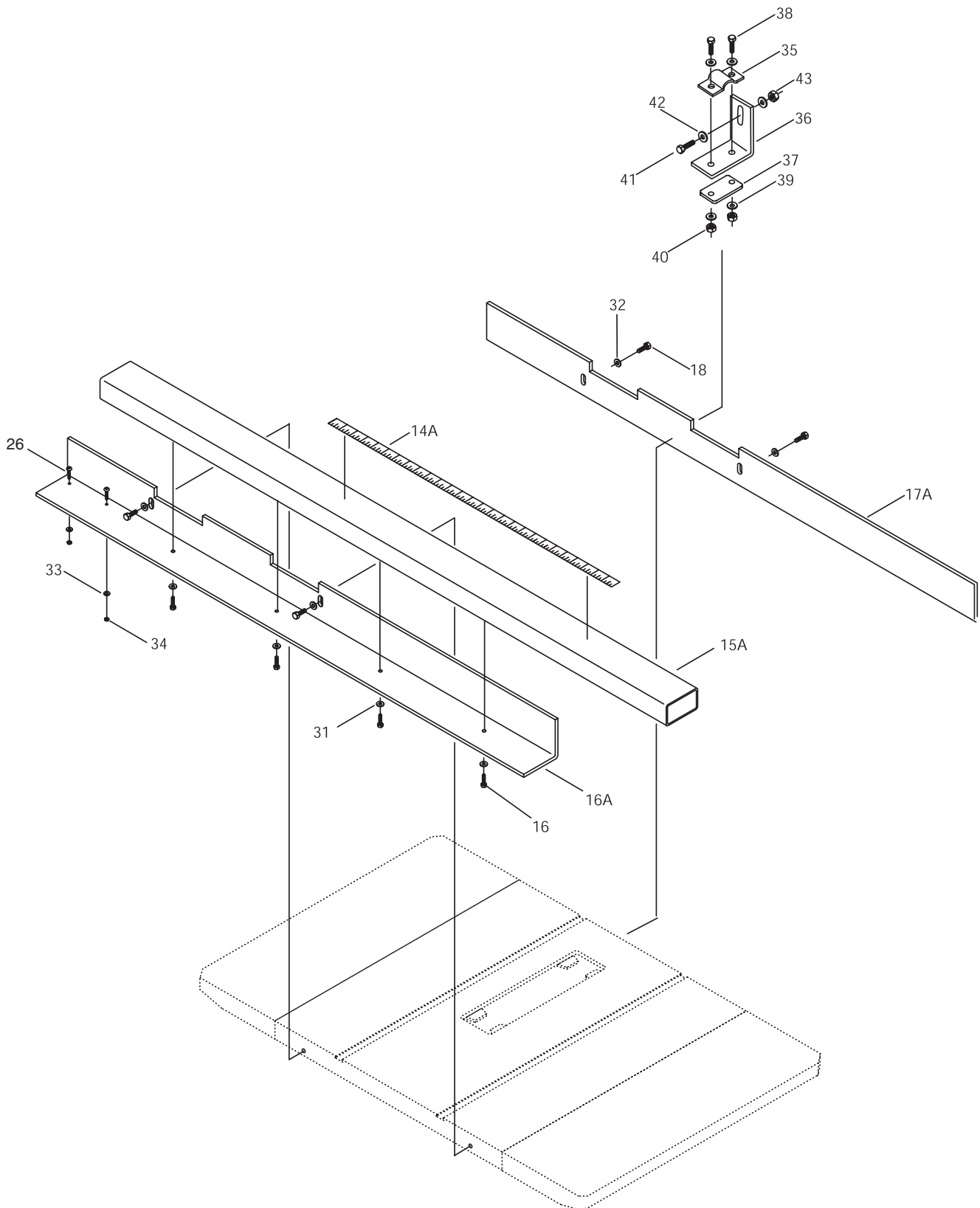
Operation of this equipment has the potential to propel debris into the air which can cause eye injury. Always wear safety glasses or goggles when operating equipment. Everyday glasses or reading glasses only have impact resistant lenses, they are not safety glasses. Be certain the safety glasses you wear meet the appropriate standards of the American National Standards Institute (ANSI).

W2005 Fence Parts Diagram

NOTE: The W2006 is a combination of the W2005 Fence and the W2007 Legs and 7' Rails.

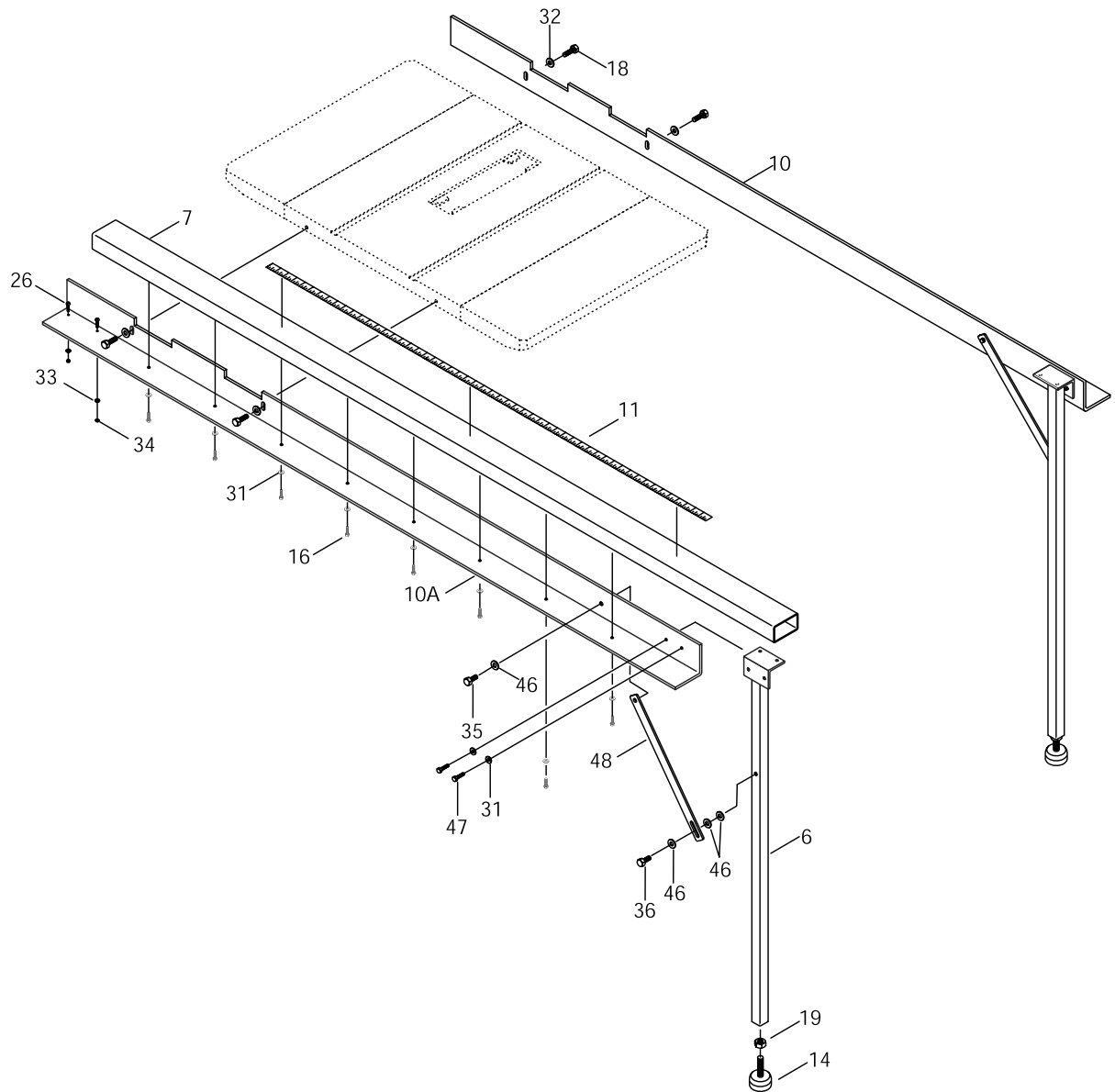


W2005 Standard Rail Parts Diagram



W2007 Leg and 7' Rail Parts Diagram

NOTE: The W2006 is a combination of the W2005 Fence and the W2007 Legs and 7' Rails.



W2005 Parts List

REF	PART #	DESCRIPTION
1	X2005001	FENCE LOCKING TAB
2	X2005002	KNOB
3	X2005003	BEARING PAD
4	X2005004	LOCKING LEVER
8	X2005008	FENCE BODY
8A	X2005008A	FENCE FACING
12A	X2005012A	MAGNIFIED CURSOR
14A	X2005014A	SCALE
15A	X2005015A	FRONT RAIL TUBE
16	XPB19	HEX BOLT 1/4-20 X 1/2
16A	X2005016A	FRONT RAIL SUPPORT
17	XPB88	HEX BOLT 1/4 - 20 X 1-3/4
17A	X2005017A	REAR RAIL
18	XPB18	HEX BOLT 3/8-16 X 1
20	XPB25	HEX BOLT 3/8-16 X 1-3/4
22	XPS06	PHLP HD SCR 10-24 X 3/8
23	X2005023	SET SCREW 3/8-16 X 5/16
26	XPFH21	FLAT HD SCR 10-24 X 3/4

REF	PART #	DESCRIPTION
27	XPLN02	LOCK NUT 1/4-20
28	XPLN01	LOCK NUT 3/8-16
30	XPW03	FLAT WASHER #10
31	XPW06	FLAT WASHER 1/4
32	XPW02	FLAT WASHER 3/8
33	XPW03	FLAT WASHER 1/4
34	XPN05	HEX NUT 1/4-20
35	X2005035	V-CLAMP
36	X2005036	L-BRACKET
37	X2005037	LOCKING PLATE
38	XPB26	HEX BOLT 1/4-20 X 1 1/2
39	XPW06	FLAT WASHER 1/4
40	XPN05	HEX NUT 1/4-20
41	XPB07	HEX BOLT 5/16-18 X 3/4
42	XPW07	FLAT WASHER 5/16
43	XPN02	HEX NUT 5/16-18
44	X2005044	MAGNET
45	XPS43	PHLP HD SCR 10-24 X 1/2

W2007 Parts List

REF	PART #	DESCRIPTION
6	X2007006	EXTENSION LEG
7	X2007007	FRONT RAIL TUBE
10	X2007010	REAR RAIL
10A	X2007010A	FRONT RAIL SUPPORT
11	X2007011	SCALE
14	X2007014	ADJUSTABLE FOOT
16	X2007016	HEX BOLT 1/4-20 X 3/4
18	XPB18	HEX BOLT 3/8-16 X 1
19	XPN34	HEX NUT 1/2-12
26	XPFH21	FLAT HD SCR 1/4-20 X 3/4

REF	PART #	DESCRIPTION
31	XPW06	FLAT WASHER 1/4
32	XPW02	FLAT WASHER 3/8
33	XPW06	FLAT WASHER 1/4
34	XPN05	HEX NUT 1/4-20
35	XPB65	HEX BOLT 3/8-16 X 5/8
36	XPB21	HEX BOLT 3/8-16 X 3/4
46	XPW02	FLAT WASHER 3/8
47	XPB19	HEX BOLT 1/4-20 X 1/2
48	X2007048	BRACE

