



COMMANDER SERIES HEAVY-DUTY MODULAR SPREADERS

WOLF RANGE COMPANY



Model FS-0-0-WS-12-M

BASIC MODELS:

- FS-0-0-WS-6-M** 6" wide modular spreader
- FS-0-0-WS-12-M** 12" wide modular spreader
- FS-0-0-WS-18-M** 18" wide modular spreader
- FS-0-0-WS-24-M** 24" wide modular spreader
- FS-0-0-WS-36-M** 36" wide modular spreader

KEY FEATURES — ALL MODELS:

- Stainless steel front, sides, top work surface, bullnose and stub back. Sides finished in black epoxy powder coat paint. Heavy-duty stand with chrome plated legs.
- 1 1/4" diameter front gas manifold.
- One year limited parts and labor warranty.

OPTIONAL FEATURES — ALL MODELS:

- Stainless steel finishing back.
- Common stainless steel bullnose up to 120" wide. (Provide a drawing showing the position of each piece of equipment in the line-up with the order.)
- Cap and cover manifold end(s). (No charge.)
- Rear gas connection. (Specify 3/4" or 1 1/4".)

DESCRIPTION:

_____ " wide heavy-duty modular spreader with heavy-duty stand and chrome plated legs, Wolf Model No. _____. Stainless steel front, sides, top work surface, bullnose and stub back. 1 1/4" diameter front gas manifold.

Exterior dimensions: _____ "w x 38"d x 36" working height on heavy-duty stand with chrome plated legs.



Design Certified by the American Gas Association
Design Certified by the Canadian Gas Association
Listed by the National Sanitation Foundation

Approved by _____

Date: _____

SPECIFY FINISH WHEN ORDERING.

MODEL: COMMANDER SERIES Heavy-Duty Modular Spreaders

WOLF RANGE COMPANY

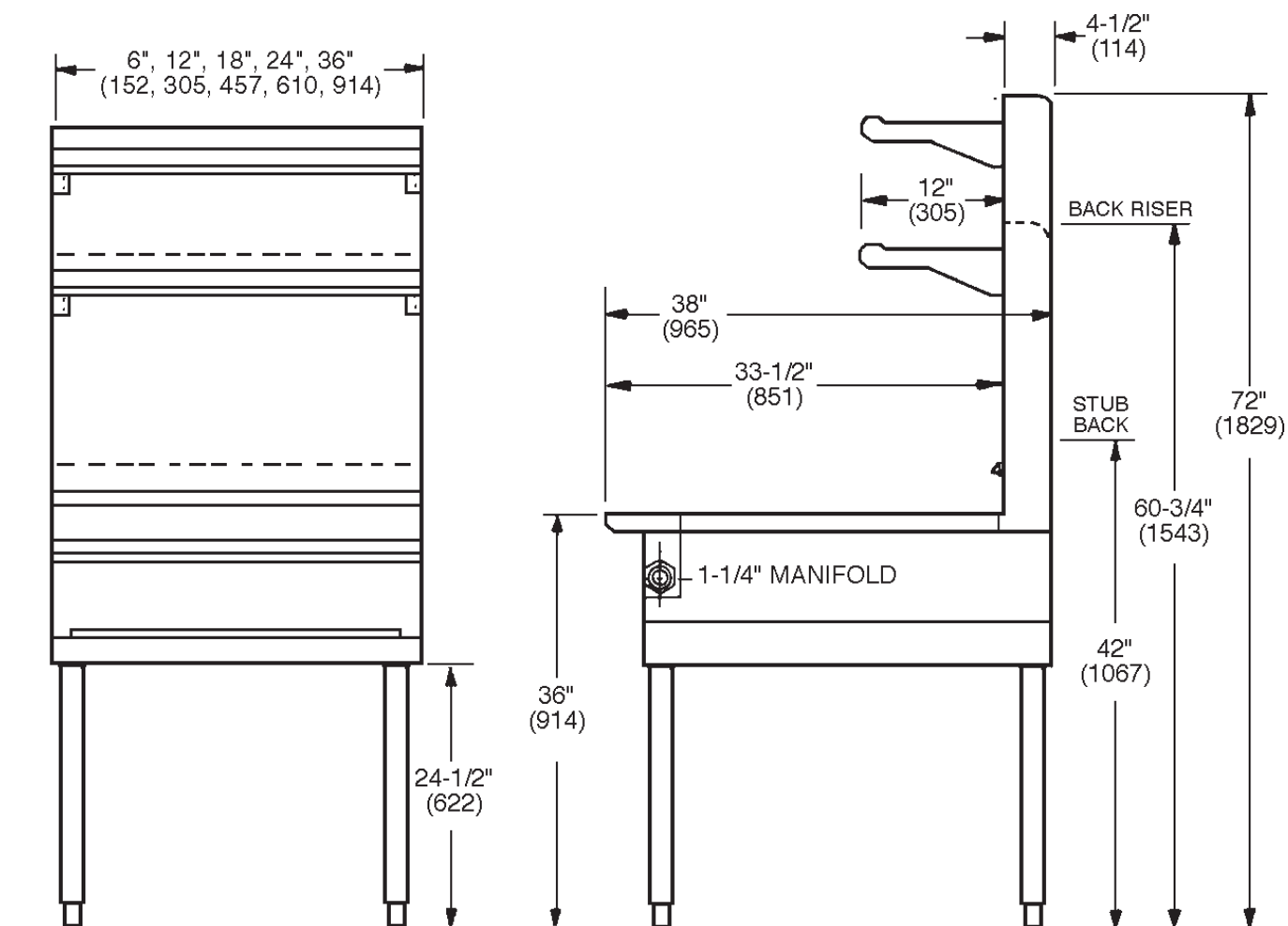
Wolf Range Company
Division of ITW Food Equipment Group LLC
(800) 366-9653
www.wolfrange.com



Commander Series Heavy-Duty Modular Spreaders

ACCESSORIES — ALL MODELS:

- 26½" or 37¾" high stainless steel back riser. (Common back risers available up to 96" wide.)
- 26½" high single deck high shelf. (Common high shelves available up to 96" wide.)
- 26½" high single deck flo-thru high shelf. (Common high shelves available up to 96" wide.)
- 37¾" high double deck high shelf. (Common high shelves available up to 96" wide.)
- Gas pressure regulator (specify size and type of gas).
- Flexible gas hose with quick disconnect and restraining device. Consult price book for available sizes.



NOTE: In line with its policy to continually improve its product, Wolf Range Company reserves the right to change materials and specifications without notice.
This appliance is manufactured for commercial use only and is not intended for home use.