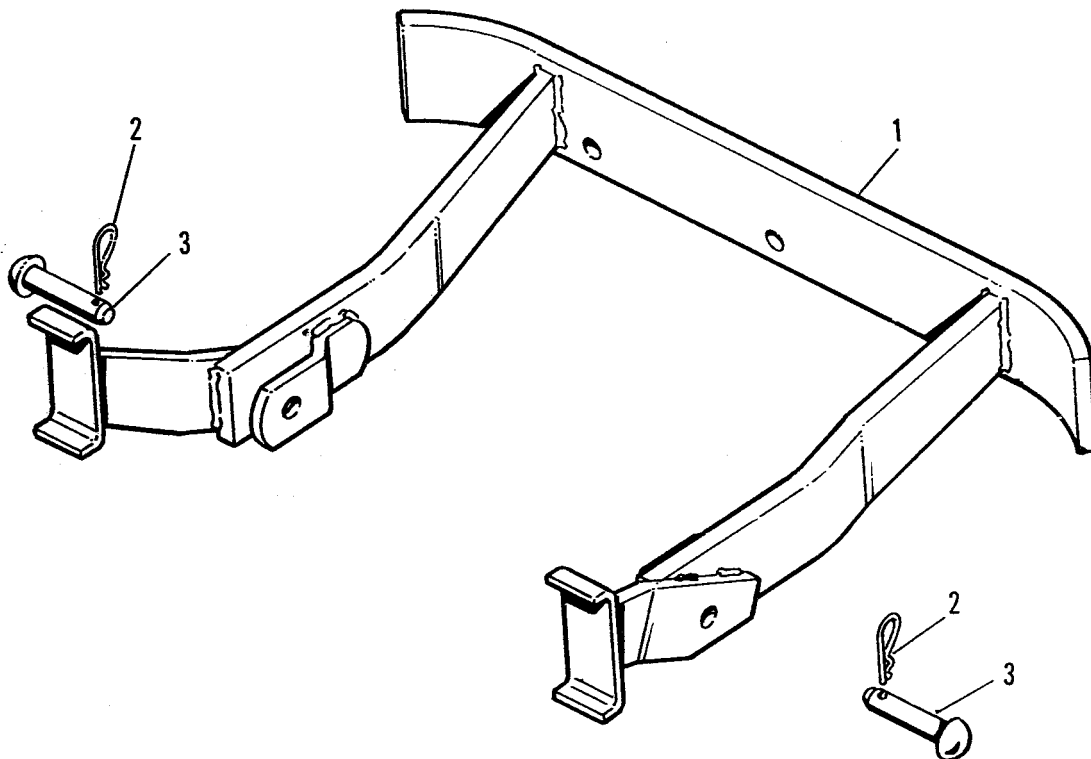


OPERATOR'S MANUAL  
MFG. NO. 1600211  
FRONT BUMPER



The front bumper is helpful in protecting the front end of the tractor from damage. The bumper is also required in order to mount the front counterweight (Not shown here).

To install the bumper follow these pointers. The two U-shaped brackets on the rear of bumper fit against the front axle of the tractor. Place brackets in position on axle and by using king pins and hairpin clips lift and secure the bumper in place.