

Please Read and Save this Use and Care Book

Veuillez lire et conserver ce guide d'entretien et d'utilisation



## 4-Slice Toaster Oven Broiler Four/Rôtissoire/Grille-pain à 4 tranches



USA/Canada 1-800-231-9786

[www.prodprotect.com/applica](http://www.prodprotect.com/applica)

Accesorios/Partes (EE.UU/  
Canadá)  
Accessories/Parts (USA/Canada)  
1-800-738-0245

Model  
Modèle

WTO4030C

# IMPORTANT SAFEGUARDS

When using electrical appliances, basic safety precautions should always be followed, including the following:

- Read all instructions.
- Do not touch hot surfaces. Use handles or knobs.
- To protect against electrical shock do not immerse cord, plugs or appliance in water or other liquid.
- Close supervision is necessary when any appliance is used by or near children.
- Unplug from outlet when not in use and before cleaning. Allow to cool before putting on or taking off parts.
- Do not operate any appliance with a damaged cord or plug, or after the appliance malfunctions or has been damaged in any manner. Return appliance to the nearest authorized service facility for examination, repair or adjustment. Or, call the appropriate toll-free number on the cover of this manual.
- The use of accessory attachments not recommended by the appliance manufacturer may cause injuries.
- Do not use outdoors.
- Do not let cord hang over edge of table or counter, or touch hot surfaces.
- Do not place on or near a hot gas or electric burner, or in a heated oven.
- Extreme caution must be used when moving an appliance containing hot oil or other hot liquids.
- To disconnect, turn any control to OFF, then remove plug from wall outlet.
- Do not use appliance for other than intended use.
- Use extreme caution when removing tray or disposing of hot grease.
- Do not clean with metal scouring pads. Pieces can break off the pad and touch electrical parts, creating a risk of electric shock.
- Oversized foods or metal utensils must not be inserted in this appliance, as they may create a fire or risk of electric shock.
- A fire may occur if the toaster oven is covered or touching flammable material including curtains, draperies, walls and the like, when in operation. Do not store any item on top of unit when in operation.
- Extreme caution should be exercised when using containers constructed of other than metal or glass.

- Do not store any materials, other than manufacturer's recommended accessories, in this oven when not in use.
- Do not place any of the following materials in the oven: paper, cardboard and plastic.
- Do not cover crumb tray or any part of the oven with metal foil. This will cause overheating of the oven.

## SAVE THESE INSTRUCTIONS.

**This product is for household use only.**

### **POLARIZED PLUG (120V Models Only)**

This appliance has a polarized plug (one blade is wider than the other). To reduce the risk of electric shock, this plug is intended to fit into a polarized outlet only one way. If the plug does not fit fully into the outlet, reverse the plug. If it still does not fit, contact a qualified electrician. Do not attempt to modify the plug in any way.

### **TAMPER-RESISTANT SCREW**

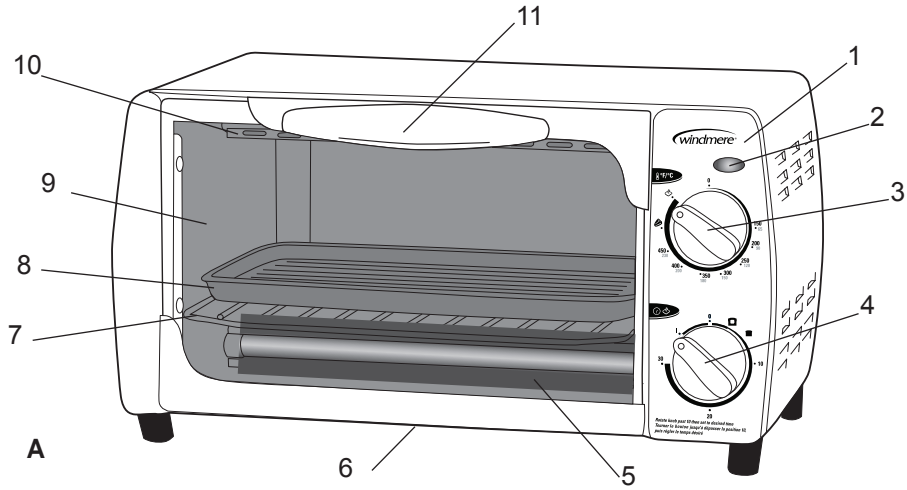
**Warning: This appliance is equipped with a tamper-resistant screw to prevent removal of the outer cover. To reduce the risk of fire or electric shock, do not attempt to remove the outer cover. There are no user-serviceable parts inside. Repair should be done only by authorized service personnel.**

### **ELECTRICAL CORD**

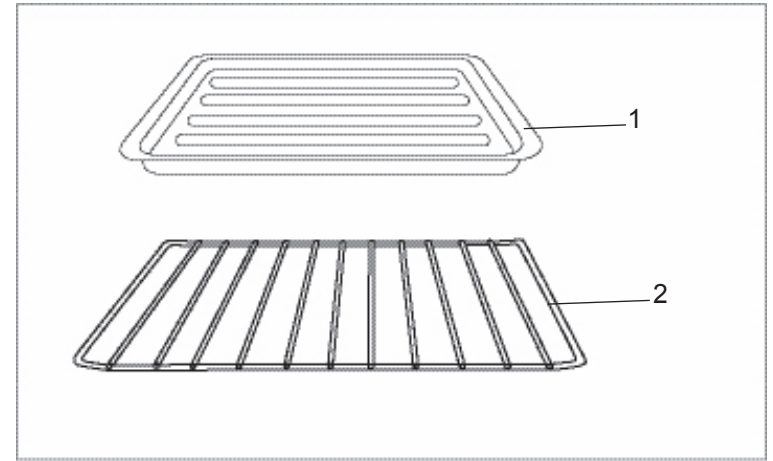
- a) A short power-supply cord (or detachable power-supply cord) is to be provided to reduce the risk resulting from becoming entangled in or tripping over a longer cord.
- b) Longer detachable power-supply cords or extension cords are available and may be used if care is exercised in their use.
- c) If a long detachable power-supply cord or extension cord is used,
  - 1) The marked electrical rating of the detachable power-supply cord or extension cord should be at least as great as the electrical rating of the appliance,
  - 2) If the appliance is of the grounded type, the extension cord should be a grounding-type 3-wire cord, and
  - 3) The longer cord should be arranged so that it will not drape over the countertop or tabletop where it can be pulled on by children or tripped over.

**Note:** If the power supply cord is damaged, it should be replaced by qualified personnel. In Latin America by, an authorized service center.

Product may vary slightly from what is illustrated.

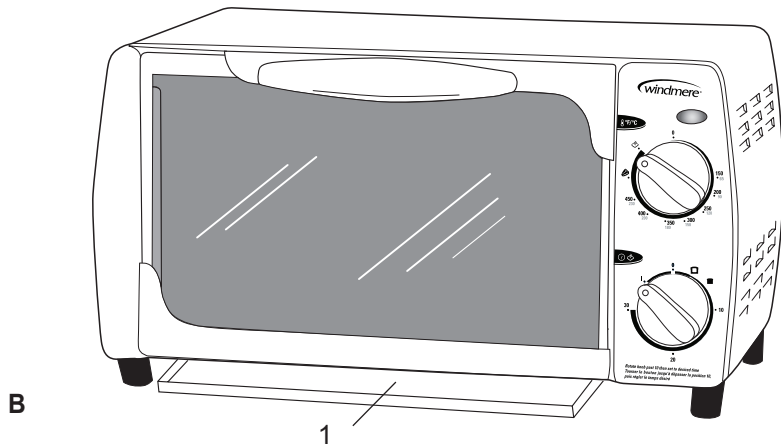


- 1. Control panel
- 2. Power light
- † 3. Temperature/function control (Part # WTO4030C-01)
- † 4. Timer control (with 30-minute timer) (Part # WTO4030C-02)
- 5. Bottom heating element
- 6. Drop down crumb tray
- † 7. Wire rack (Part # WTO4030C-03)
- † 8. Bake pan (Part # WTO4030C-04)
- 9. Glass door
- 10. Top heating element
- 11. Handle
- † Consumer replaceable/removable parts



- † 1. Wire rack (Part # WTO4030C-03)
- † 2. Bake pan (Part # WTO4030C-04)
- † Consumer replaceable/removable parts

1. Dropdown crumb tray



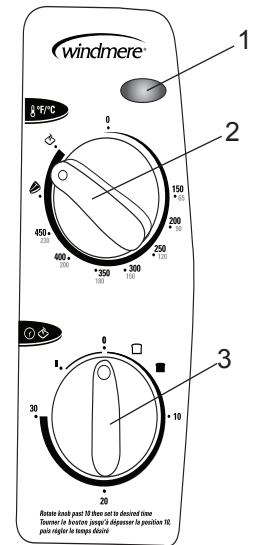
3

### CONTROL PANEL

- 1. Power light
- 2. Temperature/function control
- 3. Timer control (with 30-minute timer)

**Important:**  
When making toast or using the TIMER function, always turn the dial past 10 and then turn back or forward to desired setting.

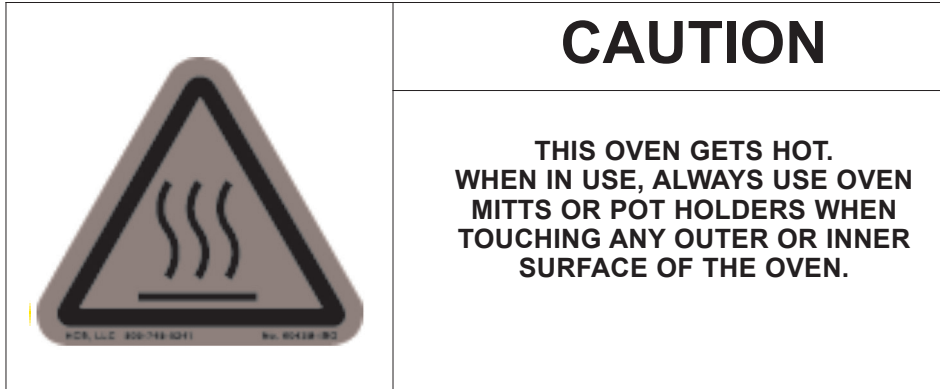
D




4

# How to Use

This unit is for household use only.



## GETTING STARTED

- Read all instructions in this guide carefully.
- Carefully unpack your toaster oven broiler and remove all packaging materials.
- Place your toaster oven broiler on a level surface such as a countertop or table. Be sure the sides, back, and top of the oven are at least four inches away from any walls, cabinets, or objects on the counter or table.
- Remove all stickers from the toaster oven broiler except the rating label located on the back.
- Remove wire rack and bake pan and wash in warm, soapy water. Rinse and dry thoroughly before placing in the toaster oven broiler.
- Remove any dust that may have accumulated during packaging, simply wipe the toaster oven broiler exterior with a clean, damp cloth.
- Do not use abrasive cleansers.
- Do not put the toaster oven broiler, cord or plug in water.
- When you are ready to use the toaster oven broiler, plug the cord into a 120 V~ AC outlet.
- To eliminate any protective substance or oil that may have been used for packing and shipping, set the unit to TOAST  and set the timer for it to toast for about 15 minutes. A small amount of smoke and odor may be detected. This is normal.
- To avoid scratching, marring, or discoloration, do not store anything on top of the toaster oven broiler during operation.

**Caution: Appliance surfaces are hot during and after use.**

**Caution: Always wear protective, insulated oven mitts on hands when touching hot oven or hot dishes and food or when inserting or removing wire rack, baking dish and food.**


## COOKING CONTAINERS

- The bake pan included with the toaster oven broiler is suitable for items such as cookies, rolls, biscuits, nachos and pork chops.
- Choose bake ware made of metal, or glass/ceramic without lids.
- Dark or dull pans absorb heat faster; foods will bake more rapidly and crust will brown more easily than in shiny bake pans.
- Check package directions and/or with the ovenware manufacturer to determine if the container is suitable for use in a toaster oven broiler.

- Do not use oven roasting bags in this toaster oven broiler, as they may come in contact with the heating elements.

**Caution: Allow at least 1" air space between the top of the container and the upper heating elements. Never use glass lids on glass or metal bake ware. If a lid is necessary, cover tightly with heavy-duty aluminum foil.**

## INSTRUCTIONS FOR TOAST

1. Make sure the drop down crumb tray is firmly in place in the bottom of the toaster oven broiler.
2. Plug into 120V~ AC outlet.
3. Open the glass door. Place the wire rack in shelf position #1 and center bread on the wire rack. Close the glass door.
4. Turn the temperature/function control to TOAST .
5. Turn the timer control to 10 then back to the desired light to dark setting. The power light will come on.

**Important: To set the timer control for less than 10 minutes, turn to 10 and then turn back to the appropriate amount of time.**

**Caution: As soon as the timer control is engaged, the toaster oven broiler will turn on. Both the top and the bottom heating elements may cycle on and off to maintain temperature for the entire toasting time.**

**Caution: As soon as the timer control is engaged both heating elements will become hot immediately. Use care not to place anything on top of the toaster oven broiler. Do not touch the toaster oven broiler or any part of the toaster oven broiler without wearing oven mitts.**

6. With the timer control set, the toaster oven broiler will shut off automatically when the toast cycle is complete. If toasting is completed before the timer control shuts the toaster oven broiler off, you may shut the toaster oven broiler off manually by turning the timer control to the off (0) position. The power light will go out. Turn the temperature/function control to the off (0) position.
7. Do not set timer control past time indicated on toast graphics. When time set has passed, a signal will sound, and the timer control will finish in the off (0) position. The power light will go out.

**Note: Watch toast until desired color is achieved.**

8. Turn the temperature/function control to the off position.
9. Open the glass door. Wear protective oven mitts to remove toast from toaster oven broiler. Be careful when removing toast from the back of the wire rack. The inside of the toaster oven broiler is very hot. Close glass door.
10. Unplug unit and allow to cool before cleaning.

**Caution: Do not leave toaster oven broiler unattended during toasting.**

## HINTS FOR TOAST

- Remove all protective wrappings from food before placing in toaster oven broiler. Follow toaster food directions.
- Frozen, thick and heavy bread may require a longer time setting (e.g. bagels and English muffins).

**Important: Use extra caution when using this Toaster Oven broiler for toasting pastry items with runny-type frosting or fillings.**

- When toasting more than one slice of bread, use slices of similar size, thickness and freshness.

- One slice of bread requires a lighter setting than several slices of bread.
- Stale bread, thin bread or sweet bread products, such as tea cakes and fruit loafs, brown much more quickly than ordinary bread so they should be toasted for less time.
- Different breads require different toasting times. Turn timer control dial to the off position and open the glass door to check toast color. Close glass door and reset timer control if more toasting time is needed.
- For best results, clean drop down crumb tray frequently.

#### INSTRUCTIONS FOR BAKING

1. Make sure the drop down crumb tray is firmly in place in the bottom of the toaster oven broiler.
2. Plug into 120 V~ AC outlet. Close the glass door.
3. Set the temperature/function control to the desired temperature.
4. Set the timer for 10 minutes and preheat the toaster oven broiler. After 10 minutes, a signal will sound and the toaster oven broiler will automatically shut off.
5. Remove all protective wrappings from food before placing in toaster oven broiler.
6. Open the glass door. Place the wire rack into Shelf Position #1 or #2. Use the baking tray or an appropriate baking container and center it on the wire rack. If you would like your food browned top and bottom, place food directly on wire rack and close glass door. Bake according to package or recipe time.
7. Turn the timer control to the desired time. The power light will come on.
8. To set the timer control for less than 10 minutes, turn to 10 and then turn back to the appropriate amount of time.

**Note:** As soon as the timer control is engaged, the toaster oven broiler will turn on. Both the top and the bottom heating elements will cycle on and off to maintain temperature for the entire cooking time.

**Note:** As soon as the timer control is engaged both heating elements will become hot immediately. Use care not to place anything on top of the toaster oven broiler. Do not touch the toaster oven broiler or any part of the toaster oven broiler without wearing oven mitts.

9. If the timer control has been set, the toaster oven broiler will shut off automatically when bake is complete. If cooking is completed before the timer control shuts the toaster oven broiler off, you may shut the toaster oven broiler off manually by turning the timer control to the off (0) position. The power light will go out. Turn the temperature/function control to the off (0) position.
10. When the bake time is complete, a signal will sound, and the timer control will finish in the off (0) position. The power light will go out.
11. Turn the temperature/function control to the off (0) position.
12. Open the glass door. Wear protective oven mitts to remove food from toaster oven broiler. The inside of the toaster oven is very hot. Close the glass door.
13. Unplug the unit and allow to cool completely before cleaning.


**Important:** Do not use glass covers on baking pans. If using a glass or glass-ceramic baking container, make sure it is at least 1 inch away from the top heating element.


**Caution:** Do not leave toaster oven broiler unattended during baking.

#### HINTS FOR BAKING

- Heavy-duty aluminum foil may be used to cover top of baking container to reduce over browning. Tuck ends of foil closely against edge of pan.
- Place food toward the back of the toaster oven broiler for better browning.
- Food may cook faster than recipe or package time. Check for doneness prior to end of cook time.
- Rotate and turn food over for more even browning halfway through the cooking process.
- To prevent heat loss, avoid opening the glass door excessively.

#### INSTRUCTIONS FOR BROILING

**Note:** Only the top heating element will heat when the BROIL  function is used.

1. Make sure the drop down crumb tray is firmly in place in the bottom of the toaster oven broiler.
2. Plug into 120 V~ AC outlet. Close the glass door.
3. Remove all protective wrappings from food before placing in toaster oven broiler.
4. Place food directly onto the bake pan. Brush food with sauces or oil as desired.
5. Open the glass door. Place the wire rack into Shelf Position #1 or #2. Place the bake pan with food into the toaster oven broiler and close the glass door.
6. Turn the temperature/function control to BROIL .
7. Turn the timer control to the desired time.
8. To set the timer control for less than 10 minutes, turn to 10 and then turn back to the appropriate amount of time.

**Note:** As soon as the timer control is engaged, the toaster oven broiler will turn on.

**Note:** As soon as the timer control is engaged the top heating element will become hot immediately. Use care not to place anything on top of the toaster oven broiler. Do not touch the toaster oven broiler or any part of the toaster oven broiler without wearing oven mitts.

9. Broil according to package or recipe time. When broiling food that needs to be cooked on both sides, set the timer control to the time necessary for one side.
10. With the timer control set, the toaster oven broiler will shut off automatically when the broiling is complete. If broiling is completed before the timer control shuts the toaster oven broiler off, you may shut the toaster oven broiler off manually by turning the timer control to the off position. The power light will go out. Turn the temperature/function control to the off position.
11. When the broiling time is complete, a signal will sound, and the timer control will finish in the off position. The power light will go out.
12. Open the glass door. Wear protective oven mitts to carefully slide the bake pan part way out of the toaster oven broiler. Turn the food, slide the bake pan back into the toaster oven broiler and close the toaster oven broiler glass door. Turn the timer control to the desired time.
13. When the broiling time is complete, a signal will sound, and the timer control will finish in the off position. The power light will go out.
14. Turn the temperature/function control to the off position.
15. Open the glass door. Wear protective oven mitts to remove food from toaster oven broiler. Be careful when removing food. The inside of the toaster oven broiler is very hot. Close the glass door.
16. Unplug unit and allow to cool completely before cleaning.

**Caution:** Do not leave toaster oven broiler unattended during broiling.

#### INSTRUCTIONS FOR TOP BROWNING

**Note:** To top brown foods, follow the Toast instructions but place the food in the bake pan on the wire rack.

**Important:** Do not leave toaster oven broiler unattended during top browning.

## HINTS FOR TOP BROWNING

- Watch food to avoid over-browning.
- Top brown may be used to top brown bagels (cut side up), English muffins or melt cheese on sandwiches or casseroles.

## INSTRUCTIONS FOR KEEP WARM

1. Make sure the drop down crumb tray is firmly in place in the bottom of the toaster oven broiler.
2. Plug into 120 V~ AC outlet. Close the glass door.
3. Remove all protective wrappings from food before placing in toaster oven broiler.
4. Open the glass door. Place the wire rack into Shelf Position #1 or #2. Center a baking container or food on the wire rack or use bake pan and close the glass door.
5. Set the temperature/function control to 200 °F.
6. Turn the timer control to the desired time. The power light will come on.
7. To set the timer control for less than 10 minutes, turn to 10 and then turn back to the appropriate amount of time.

**Caution: As soon as the timer control is engaged, the toaster oven broiler will turn ON. Both the top and the bottom heating elements will cycle on and off to maintain temperature for the entire cooking time.**

**Caution: As soon as the timer control is engaged both heating elements will become hot immediately. Use care not to place anything on top of the toaster oven broiler. Do not touch the toaster oven broiler or any part of the toaster oven broiler without wearing oven mitts.**

8. If the timer control has been set, the toaster oven broiler will shut off automatically when keep warm is complete. If keep warm is completed before the timer control shuts the toaster oven broiler off, you may shut the toaster oven broiler off manually by turning the timer control to the off (0) position. The power light will go out. Turn the temperature/function control to the off (0) position.
9. When the keep warm time is complete, a signal will sound, and the timer control will finish in the off position. The power light will go out.
10. Turn the temperature/function control to the off (0) position.
11. Open the glass door. Wear protective oven mitts to remove food from toaster oven broiler. Be careful when removing food. The inside of the toaster oven broiler is very hot. Close the glass door.
12. Unplug unit and allow to cool completely before cleaning.

**Caution: Do not leave toaster oven broiler unattended during broiling.**

## HINTS FOR KEEP WARM

- Use for short periods of time after food is cooked.
- To heat frozen or cold foods, see INSTRUCTIONS FOR DEFROST.

## INSTRUCTIONS FOR DEFROST

1. Remove bake pan and wire rack.
2. Plug into 120 V~ AC outlet.
3. Make sure the drop down crumb tray is firmly in place in the bottom of the toaster oven broiler.
4. Open the glass door. Place wire rack in Shelf Position #1 or #2 of toaster oven broiler.
5. Center a baking container or food on wire rack or use bake pan and close the glass door.
6. Set the temperature/function control to 150 °F.
7. Turn the timer control to the desired time. The power light will come on.

8. To set the timer control for less than 10 minutes, turn to 10 and then turn back to the appropriate amount of time.

**Caution: As soon as the timer control is engaged, the toaster oven broiler will turn ON. Both the top and the bottom heating elements will cycle on and off to maintain temperature for the entire cooking time.**

**Caution: As soon as the timer control is engaged both the top and bottom heating elements will become hot immediately. Use care not to place anything on top of the toaster oven broiler. Do not touch the toaster oven broiler or any part of the toaster oven broiler without wearing oven mitts.**

9. If the timer control has been set, the toaster oven broiler will shut off automatically when defrost is complete. The power light will go out. Turn the temperature/function control to the off (0) position.
10. When the defrost time is complete, a signal will sound, and the timer control will finish in the off position. The power light will go out.
11. Turn the temperature/function control to the off (0) position.
12. Open the glass door. Wear protective oven mitts to remove food from toaster oven broiler. Be careful when removing food. The inside of the toaster oven broiler is very hot. Close the glass door.
13. Unplug unit and allow to cool completely before cleaning.

**Caution: Do not leave toaster oven broiler unattended during defrosting.**

## HINTS FOR DEFROST

- Do not use this method for meat, poultry or fish.
- Do not cover food.
- Brush frozen dough with vegetable oil to prevent drying out and remove food to preheat toaster oven broiler before baking.

## SPECIAL FEATURES

### 30-Minute Timer Control

The timer control dial also acts as the toaster oven broiler's ON/Off (I/O) switch. Turn the timer control clockwise to select the appropriate cooking time. If cooking less than 10 minutes, turn timer control to 10 minutes and then turn back to desired cooking time.

When the cooking cycle is completed, a signal will sound and the unit will turn off automatically. If you wish to turn the toaster oven broiler off at any time, manually turn the timer control to the off (0) position. Unplug toaster oven broiler when not in use.

**Caution: Do not leave toaster oven broiler unattended during use.**

### Removable Wire Rack

The wire rack must be used for all cooking and toasting functions. The wire rack is removable for easy cleaning and must be properly re-inserted before use.

### Drop Down Crumb Tray

The crumb tray in the bottom of the oven may be opened to clean.

### Power Light

When you turn the timer control to the desired time, the power light will be on. The unit will shut off automatically when using the 30-minute timer function. When the cooking cycle is complete the power light will go out.

### Bake Pan

For best results use bake pan to bake, broil, defrost, top brown, keep warm and to minimize clean-up due to spills. When broiling, both the bake pan and the wire rack must be used.

## Care and Cleaning

This product contains no user serviceable parts. Refer service to qualified service personnel.

1. Make sure the temperature/function and timer controls are in the off (0) position and unplug the toaster oven broiler before cleaning.
2. Allow toaster oven broiler and accessories to cool completely before cleaning.
3. Clean the outside of the toaster oven broiler with a damp cloth and dry thoroughly. A non-abrasive liquid cleaner may be used for stubborn stains. Rinse and dry thoroughly. Do not use metal scouring pads or abrasive cleaners that will scratch the surface.
4. Clean the glass door with a cloth or sponge dampened with warm, sudsy water. Dry thoroughly.
5. Remove bake pan and wire rack. Wash in soapy water, rinse and dry thoroughly.
6. Do not use abrasive cleaners or metal scouring pads to clean bake pan or wire rack. For stubborn stains, clean with a nylon or polyester mesh pad and a mild, nonabrasive cleaner. Rinse and dry thoroughly.
7. To clean the drop down crumb tray, tilt oven back. Locate knob on bottom of the oven and push it toward back of oven. This should release the drop down crumb tray. While continuing to tilt the oven, position drop down crumb tray at angle for cleaning. Wipe with a damp cloth to remove crumbs and spills. Always dry the drop down crumb tray thoroughly before closing. Holding on to the knob, swing tray back up and secure into position.

**Caution: Do not use spray-on or other oven cleaners. Using these types of cleaners may cause electrical damage.**

### INTERIOR CLEANING

1. Always unplug unit and allow to cool completely before cleaning or moving.
2. Remove bake pan and wire rack.
3. Clean interior with a mild or nonabrasive cleaner and plastic scouring pad after each use to avoid build-up. Do not rub too hard as surface can be scratched.
4. Rinse and dry thoroughly before closing the glass door.

### EXTERIOR CLEANING

Wipe surfaces with a clean, damp cloth. Do not use abrasive cleaners, as they may scratch the surface.

### STORAGE

Unplug unit, allow to cool and clean before storing. Store in its box in a clean, dry place. Never store it while it is hot or still plugged in. Never wrap cord tightly around the appliance. Do not put any stress on the cord where it enters the unit, as it could cause the cord to fray and break.

## IMPORTANTES CONSIGNES DE SÉCURITÉ

Lorsqu'on utilise des appareils électriques, il faut toujours respecter certaines règles de sécurité fondamentales, notamment les suivantes :

- Lire toutes les directives.
- Ne pas toucher aux surfaces chaudes; utiliser les poignées et les boutons.
- Afin d'éviter les risques de choc électrique, ne pas immerger le cordon, la fiche ou l'appareil dans l'eau ou tout autre liquide.
- Exercer une étroite surveillance lorsque l'appareil est utilisé par un enfant ou près d'un enfant.
- Débrancher l'appareil lorsqu'il ne sert pas ou avant de le nettoyer. Laisser l'appareil refroidir avant d'y placer ou d'en retirer des composantes.
- Ne pas utiliser un appareil dont la fiche ou le cordon est abîmé, qui fonctionne mal ou qui a été endommagé de quelque façon que ce soit. Pour un examen, une réparation ou un réglage, rapporter l'appareil à un centre de service autorisé. Ou composer le numéro sans frais inscrit sur la page couverture du présent guide.
- L'utilisation d'accessoires non recommandés par le fabricant de l'appareil peut occasionner des blessures.
- Ne pas utiliser l'appareil à l'extérieur.
- Ne pas laisser pendre le cordon sur le bord d'une table ou d'un comptoir ni le laisser entrer en contact avec une surface chaude.
- Ne pas placer l'appareil sur le dessus ou près d'un élément chauffant électrique ou à gaz ni dans un four chaud.
- Faire preuve de grande prudence pour déplacer un appareil contenant de l'huile brûlante ou autre liquide chaud.
- Pour débrancher l'appareil, placer toutes les commandes à la position « off » (arrêt) et retirer la fiche de la prise.
- Utiliser l'appareil uniquement aux fins pour lesquelles il a été conçu.

- Faire preuve de grande prudence pour déplacer le plateau ou jeter la graisse chaude.
- Ne pas nettoyer avec un tampon à récurer. Des morceaux pourraient se détacher du tampon et toucher les parties électriques, entraînant un risque de choc électrique.
- Ne pas introduire dans l'appareil des aliments grandes dimensions ni des ustensiles en métal qui pourraient provoquer des risques d'incendies ou de secousses électriques.
- Il y a risque d'incendie lorsque le grille-pain est recouvert de matériaux inflammables comme des rideaux, des draperies ou des revêtements muraux, ou lorsqu'il entre en contact avec ceux-ci alors qu'il fonctionne. ne rien ranger sur l'appareil en service.
- Bien surveiller lorsqu'on utilise des plats qui ne sont pas en métal ni en verre.
- Ne rien ranger d'autre que les accessoires recommandés par le fabricant dans l'appareil lorsqu'il ne sert pas.
- Ne pas placer l'un des matériaux suivants dans le four : du papier, du carton, de la pellicule plastique et d'autres matériaux du genre.
- Éviter de recouvrir le plateau à miettes ou toute autre pièce de l'appareil de papier métallique car cela présente des risques de surchauffe.

## CONSERVER CES INSTRUCTIONS.

**L'appareil est conçu pour une utilisation domestique seulement.**

### FICHE POLARISÉE (Modèles de 120 V seulement)

L'appareil est muni d'une fiche polarisée (une lame plus large que l'autre). Afin de minimiser les risques de secousses électriques, ce genre de fiche n'entre que d'une façon dans une prise polarisée. Lorsqu'on ne peut insérer la fiche à fond dans la prise, il faut tenter de le faire après avoir inversé les lames de côté. Si la fiche n'entre toujours pas dans la prise, il faut communiquer avec un électricien certifié. Il ne faut pas tenter de modifier la fiche.

### VIS INDESSERRABLE

**Avertissement : L'appareil est doté d'une vis indesserrable empêchant l'enlèvement du couvercle extérieur. Pour réduire les risques d'incendie ou de secousses électriques, ne pas tenter de retirer le couvercle extérieur. L'utilisateur ne peut pas remplacer les pièces de l'appareil. En confier la réparation seulement au personnel des centres de service autorisés.**

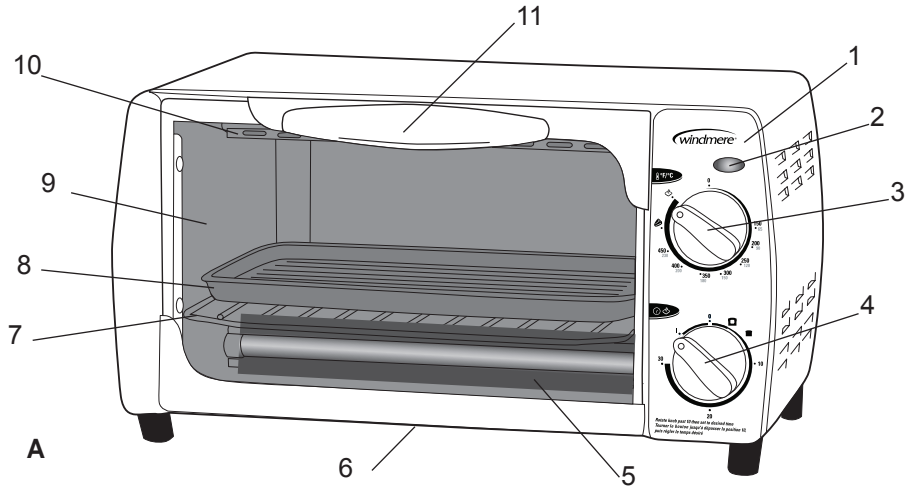
### CORDON

- a) Le cordon d'alimentation de l'appareil est court (ou amovible) afin de minimiser les risques d'enchevêtrement ou de trébuchement.
- b) Il existe des cordons d'alimentation amovibles ou de rallonge plus longs et il faut s'en servir avec prudence.
- c) Lorsqu'on utilise un cordon d'alimentation amovible ou de rallonge plus long, il faut s'assurer que :
  - 1) La tension nominale du cordon d'alimentation amovible ou de rallonge soit au moins égale à celle de l'appareil, et que;
  - 2) Lorsque l'appareil est de type mis à la terre, il faut utiliser un cordon de rallonge mis à la terre à trois broches, et;
  - 3) Le cordon plus long soit placé de sorte qu'il ne soit pas étalé sur le comptoir ou la table d'où des enfants pourraient le tirer, ni placé de manière à provoquer un trébuchement.

**Note :** Lorsque le cordon d'alimentation est endommagé, il faut le faire remplacer par du personnel qualifié ou, en Amérique latine, par le personnel d'un centre de service autorisé.

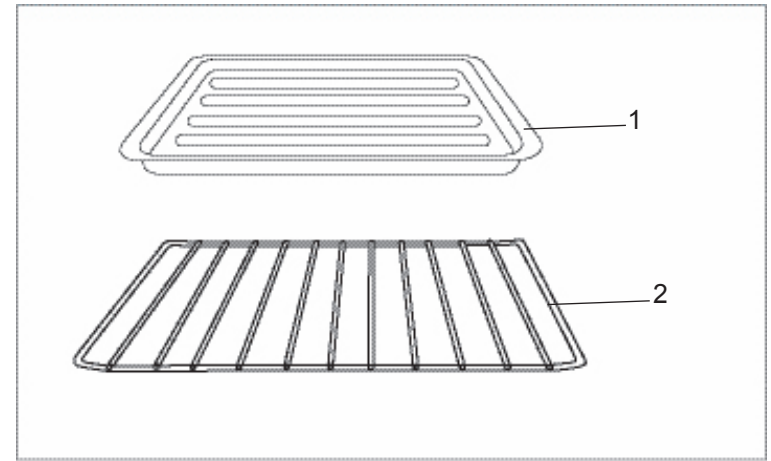
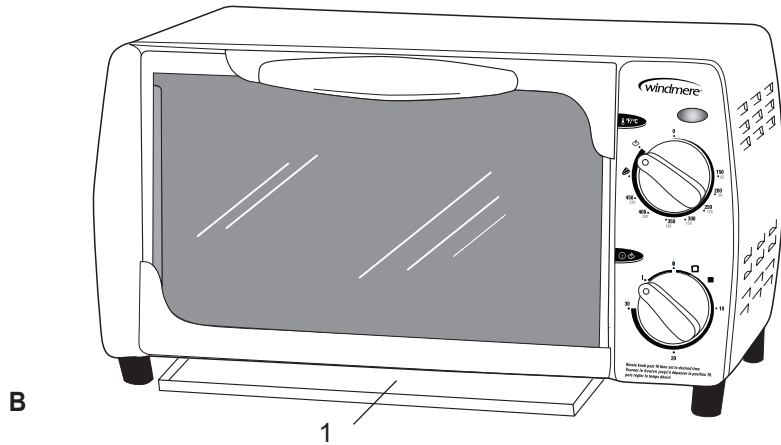


Le produit peut différer légèrement de celui illustré.



- 1. Tableau de commande
- 2. Témoin de fonctionnement
- † 3. Sélecteur de température (no de pièce WTO4030C-01)
- † 4. Minuterie (minuterie de 30 minutes) (no de pièce WTO4030C-02)
- 5. Élément chauffant inférieur
- 6. Plateau à miettes rabattable
- † 7. Grille (no de pièce WTO4030C-03)
- † 8. Plaque de cuisson (no de pièce WTO4030C-04)
- 9. Porte en verre
- 10. Élément chauffant supérieur
- 11. Poignée
- † Pièces remplaçables par le consommateur et amovibles

1. Plateau à miettes rabattable

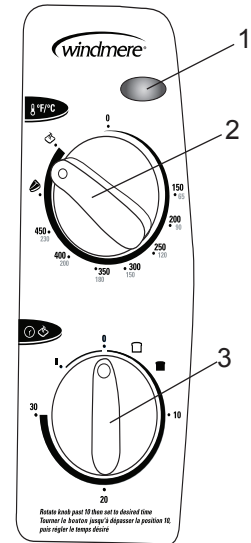


- † 1. Grille (no de pièce WTO4030C-03)
- † 2. Plaque de cuisson (no de pièce WTO4030C-04)
- † Consumer replaceable/removable parts

**TABLEAU DE COMMANDE**

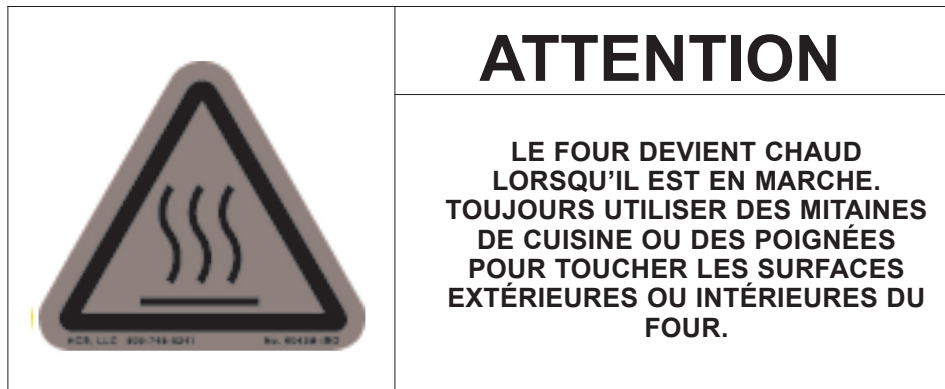
- 1. Témoin de fonctionnement
- 2. Sélecteur de température
- 3. Minuterie (minuterie de 30 minutes)

**Important :**  
Lorsque vous utilisez la fonction GRILLAGE/MINUTERIE (TOAST/TIMER), toujours tourner le sélecteur de façon à dépasser la marque 10, puis le tourner de nouveau jusqu'au réglage souhaité.




# Utilisation

L'appareil est conçu pour une utilisation domestique seulement.



## POUR COMMENCER

- Lire attentivement toutes les instructions du guide.
- Déballez délicatement le four/rôtissoire/grille-pain et retirez tous les matériaux d'emballage.
- Déposer le four/rôtissoire/grille-pain sur une surface plane comme un comptoir ou une table. Veiller à ce que les côtés, l'arrière et le haut du four soient à au moins 10 cm (4 po) de murs, d'armoires ou d'objets sur le comptoir ou la table.
- Retirer toutes les étiquettes du four/rôtissoire/grille-pain, à l'exception de la plaque signalétique au dos de l'appareil.
- Retirer la grille et la plaque de cuisson, et les nettoyer à l'eau chaude savonneuse. Rincer et bien sécher avant de les remettre dans le four/rôtissoire/grille-pain.
- Éliminer les poussières accumulées pendant l'emballage et essuyer simplement l'extérieur du four/rôtissoire/grille-pain à l'aide d'un linge propre humide.
- Ne pas utiliser de nettoyants abrasifs.
- Ne pas immerger le four/rôtissoire/grille-pain, le cordon ou la fiche dans l'eau.
- Lorsque vous êtes prêt à utiliser le four/rôtissoire/grille-pain, brancher le cordon dans une prise de 120 V c.a.
- Pour éliminer toute substance ou huile protectrice utilisée pour l'emballage et l'expédition, régler l'appareil à la position TOAST  et régler la minuterie à environ 15 minutes. Le four peut émettre un peu de fumée et une odeur légère. Cette situation est normale.
- Pour éviter les égratignures, les souillures ou la décoloration, ne pas déposer d'objets sur le four/rôtissoire/grille-pain pendant l'utilisation.

**Mise en garde : Les surfaces de l'appareil sont chaudes durant et après l'utilisation.**

**Mise en garde : Toujours enfiler des mitaines de cuisine protectrices avant de manipuler des composants du four, des plats chauds ou des aliments chauds, ou avant d'insérer ou de retirer la grille, la plaque de cuisson et des aliments.**

## PLATS À CUISSON

- La plaque de cuisson fournie avec le four/rôtissoire/grille-pain convient à la cuisson de biscuits, de roulés, de biscottes, de nachos et de côtelettes de porc.
- Choisir un plat à cuisson en métal, en verre ou en céramique, sans couvercles.

- Des plaques foncées ou ternes absorbent plus rapidement la chaleur; les aliments cuisent plus vite et la croûte brunit plus facilement que sur des plaques luisantes.
- Vérifier les directives sur l'emballage et/ou consulter le fabricant pour déterminer si le contenant peut aller au four/rôtissoire/grille-pain.
- Ne pas utiliser de sacs à rôtir dans le four/rôtissoire/grille-pain, car ils risquent d'entrer en contact avec les éléments chauffants.

**Mise en garde : Prévoir un dégagement d'au moins 3 cm (1 po) entre le haut du contenant et l'élément chauffant supérieur. Ne jamais utiliser de couvercles en verre sur des plats de cuisson en verre ou en métal. Si un couvercle est nécessaire, couvrir hermétiquement à l'aide de papier d'aluminium robuste.**

## INSTRUCTIONS POUR LE GRILLAGE

1. Veiller à ce que le plateau à miettes rabattable soit fermement en place au fond du four/rôtissoire/grille-pain.
2. Brancher l'appareil dans une prise de 120 V c.a.
3. Ouvrir la porte en verre. Placer la grille à la position 1 et centrer la tranche de pain sur la grille. Fermer la porte en verre.
4. Régler le sélecteur de température à TOAST.
5. Tourner la minuterie à 10 minutes, puis tourner dans le sens contraire pour régler l'intensité du grillage entre pale et foncé. Le témoin de fonctionnement s'allume.

**Important : Pour régler la minuterie à moins de 10 minutes, tourner le sélecteur à la position 10, puis tourner dans le sens contraire jusqu'au temps de grillage désiré.**

**Mise en garde : Dès que la minuterie est activée, le four/rôtissoire/grille-pain se met en marche. Les éléments chauffants supérieur et inférieur peuvent fonctionner de façon intermittente afin de maintenir la température appropriée pendant toute la durée du grillage.**

**Mise en garde : Dès que la minuterie est activée, les deux éléments chauffants deviennent chauds immédiatement. Veiller à ne rien déposer sur le four/rôtissoire/grille-pain. Ne pas toucher au four/rôtissoire/grille-pain ni à ses composants sans porter de mitaines de cuisine.**

6. Lorsque la minuterie est réglée, le four/rôtissoire/grille-pain s'arrête automatiquement à la fin du cycle de grillage. Si le grillage voulu est atteint avant que la minuterie arrête le four/rôtissoire/grille-pain, arrêter le four/rôtissoire/grille-pain manuellement en tournant le bouton de la minuterie à la position (0) d'arrêt. Le témoin de fonctionnement s'éteint. Tourner le sélecteur de température à la position (0) d'arrêt.
7. Ne pas régler la minuterie au-delà de la durée indiquée sur l'illustration appropriée au grillage. Lorsque le temps de grillage est échu, un signal sonore retentit et la minuterie revient à la position (0) d'arrêt. Le témoin de fonctionnement s'éteint.

**Note : Surveiller la tranche de pain jusqu'à ce que le degré de grillage soit atteint.**

8. Tourner le sélecteur de température à la position d'arrêt.
9. Ouvrir la porte en verre. Enfiler des mitaines de cuisines protectrices avant de retirer la tranche de pain du four/rôtissoire/grille-pain. Faire preuve de prudence pour retirer une tranche de pain déposée à l'arrière sur la grille. L'intérieur du four/rôtissoire/grille-pain est très chaud. Fermer la porte en verre.
10. Débrancher l'appareil et le laisser refroidir avant de le nettoyer.

**Mise en garde : Ne pas laisser le four/rôtissoire/grille-pain sans surveillance pendant le grillage.**

#### **CONSEILS POUR LE GRILLAGE**

- Retirer tous les emballages protecteurs avant de déposer les aliments dans le four/rôtissoire/grille-pain. Suivre les instructions de grillage.
- Les pains surgelés, épais et consistants peuvent exiger une durée de grillage plus longue (ex. : bagels et muffins).

**Important : Faire preuve de grande prudence lors de l'utilisation du four/rôtissoire/grille-pain pour faire griller des pâtisseries comportant du glaçage ou des garnitures.**

- Dans le cas du grillage de plus d'une tranche de pain, utiliser des tranches de dimensions, d'épaisseur et de fraîcheur similaires.
- Le grillage d'une seule tranche exige un degré de cuisson plus pâle que le grillage de plusieurs tranches.
- Du pain sec ou mince, ou des produits de fantaisie, comme des biscuits pour le thé et du pain aux fruits, brunissent beaucoup plus rapidement que le pain ordinaire; les faire griller moins longtemps.
- Des pains différents exigent des temps de grillage différents. Régler la minuterie à la position d'arrêt et ouvrir la porte en verre pour vérifier la couleur du pain. Fermer la porte en verre et régler de nouveau la minuterie si le pain exige un temps de grillage additionnel.
- Pour obtenir les meilleurs résultats, nettoyer fréquemment le plateau à miettes rabattable.

#### **INSTRUCTIONS POUR LA CUISSON**

1. Veiller à ce que le plateau à miettes rabattable soit fermement en place au fond du four/rôtissoire/grille-pain.
2. Brancher l'appareil dans une prise de 120 V c.a. Fermer la porte en verre.
3. Régler le sélecteur de température à la température désirée.
4. Régler la minuterie à 10 minutes et préchauffer le four/rôtissoire/grille-pain. Après 10 minutes, un signal sonore retentit, et le four/rôtissoire/grille-pain s'arrête automatiquement.
5. Retirer tous les emballages protecteurs des aliments avant de les déposer dans le four/rôtissoire/grille-pain.
6. Ouvrir la porte en verre. Placer la grille à la position 1 ou 2. Utiliser la plaque de cuisson ou un contenant approprié et le centrer sur la grille. Pour que les aliments soient brunis de tous les côtés, les placer directement sur la grille et fermer la porte en verre. Appliquer le temps de cuisson indiqué sur l'emballage ou sur la recette.
7. Régler la minuterie en fonction du temps désiré. Le témoin de fonctionnement s'allume.
8. Pour régler la minuterie à moins de 10 minutes, tourner le sélecteur à la position 10, puis tourner dans le sens contraire jusqu'au temps de cuisson désiré.

**Note :** Dès que la minuterie est activée, le four/rôtissoire/grille-pain se met en marche. Les éléments chauffants supérieur et inférieur fonctionnent de façon intermittente afin de maintenir la température appropriée pendant toute la durée de la cuisson.

**Note :** Dès que la minuterie est activée, les deux éléments chauffants deviennent chauds immédiatement. Veiller à ne rien déposer sur le four/rôtissoire/grille-pain. Ne pas toucher au four/rôtissoire/grille-pain ni à ses composants sans porter de mitaines de cuisine.

9. Lorsque la minuterie est réglée, le four/rôtissoire/grille-pain s'arrête automatiquement à la fin du cycle de cuisson. Si la cuisson voulue est atteinte avant que la minuterie arrête le four/rôtissoire/grille-pain, arrêter le four/rôtissoire/grille-pain manuellement en tournant le bouton de la minuterie à la position (0) d'arrêt. Le témoin de fonctionnement s'éteint. Tourner le sélecteur de température à la position (0) d'arrêt.
10. Lorsque le temps de cuisson est échu, un signal sonore retentit et la minuterie revient à la position (0) d'arrêt. Le témoin de fonctionnement s'éteint.
11. Tourner le sélecteur de température à la position d'arrêt.
12. Ouvrir la porte en verre. Enfiler des mitaines de cuisines protectrices avant de retirer les aliments du four/rôtissoire/grille-pain. L'intérieur du four/rôtissoire/grille-pain est très chaud. Fermer la porte en verre.
13. Débrancher l'appareil et le laisser refroidir complètement avant de le nettoyer.

**Important : Ne pas utiliser de couvercles en verre sur des plats de cuisson. Si un plat de cuisson en verre ou en céramique est utilisé, veiller à ce qu'il soit à au moins 3 cm (1 po) de l'élément chauffant supérieur.**

**Mise en garde : Ne pas laisser le four/rôtissoire/grille-pain sans surveillance pendant la cuisson.**

#### **CONSEILS POUR LA CUISSON**

- Utiliser du papier d'aluminium robuste pour couvrir le plat de cuisson et éviter de trop brunir les aliments. Appliquer fermement le papier d'aluminium contre les bords du plat.
- Déposer les aliments dans le fond du four/rôtissoire/grille-pain pour un brunissage optimal.
- Les aliments peuvent cuire plus rapidement que le temps de cuisson indiqué sur la recette ou sur l'emballage. Vérifier si les aliments sont prêts avant de mettre fin au temps de cuisson.
- Pour obtenir un brunissage uniforme, pivoter et retourner les aliments à la mi-cuisson.
- Pour éviter la perte de chaleur, éviter d'ouvrir la porte en verre trop fréquemment.

#### **INSTRUCTIONS POUR LE RÔTISSAGE**

**Note :** Seul l'élément chauffant supérieur fonctionne en mode de rôtissage.

1. Veiller à ce que le plateau à miettes rabattable soit fermement en place au fond du four/rôtissoire/grille-pain.
2. Brancher l'appareil dans une prise de 120 V c.a. Fermer la porte en verre.
3. Retirer tous les emballages protecteurs des aliments avant de les déposer dans le four/rôtissoire/grille-pain.
4. Déposer les aliments directement sur la plaque de cuisson. Badigeonner les aliments de sauce ou d'huile au besoin.
5. Ouvrir la porte en verre. Placer la grille à la position 1 ou 2. Placer la plaque de cuisson et les aliments dans le four/rôtissoire/grille-pain et fermer la porte en verre.
6. Tourner le sélecteur de température à la position BROIL.
7. Régler la minuterie en fonction du temps de rôtissage désiré.
8. Pour régler la minuterie à moins de 10 minutes, tourner le sélecteur à la position 10, puis tourner dans le sens contraire jusqu'au temps de rôtissage désiré.

**Note :** Dès que la minuterie est activée, le four/rôtissoire/grille-pain se met en marche.

**Note :** Dès que la minuterie est activée, l'élément chauffant supérieur devient chaud immédiatement. Veiller à ne rien déposer sur le four/rôtissoire/grille-pain. Ne pas toucher au four/rôtissoire/grille-pain ni à ses composants sans porter de mitaines de cuisine.

9. Faire rôtir les aliments en fonction du temps indiqué sur la recette ou sur l'emballage. Lorsque les aliments doivent être rôtis des deux côtés, régler la minuterie selon le temps de cuisson applicable à un seul côté.

10. Lorsque la minuterie est réglée, le four/rôtissoire/grille-pain s'arrête automatiquement à la fin du cycle de rôtissage. Si le rôtissage voulu est atteint avant que la minuterie arrête le four/rôtissoire/grille-pain, arrêter le four/rôtissoire/grille-pain manuellement en tournant le bouton de la minuterie à la position d'arrêt. Le témoin de fonctionnement s'éteint. Tourner le sélecteur de température à la position d'arrêt.
11. Lorsque le temps de rôtissage est échu, un signal sonore retentit et la minuterie revient à la position d'arrêt. Le témoin de fonctionnement s'éteint.
12. Ouvrir la porte en verre. Enfiler des mitaines de cuisine protectrices avant de retirer délicatement la plaque de cuisson du four/rôtissoire/grille-pain. Retourner les aliments, remettez la plaque de cuisson dans le four/rôtissoire/grille-pain et fermer la porte en verre. Régler la minuterie en fonction du temps de rôtissage désiré.
13. Lorsque le temps de rôtissage est échu, un signal sonore retentit et la minuterie revient à la position d'arrêt. Le témoin de fonctionnement s'éteint.
14. Tourner le sélecteur de température à la position d'arrêt.
15. Ouvrir la porte en verre. Enfiler des mitaines de cuisine protectrices avant de retirer les aliments du four/rôtissoire/grille-pain. Faire preuve de prudence pour retirer les aliments. L'intérieur du four/rôtissoire/grille-pain est très chaud. Fermer la porte en verre.
16. Débrancher l'appareil et le laisser refroidir complètement avant de le nettoyer.

**Mise en garde : Ne pas laisser le four/rôtissoire/grille-pain sans surveillance pendant le rôtissage.**

#### **INSTRUCTIONS POUR LE RÔTISSAGE**

**Note :** Pour brunir les aliments, suivre les instructions applicables au grillage, mais déposer les aliments sur la plaque de cuisson et sur la grille.

**Important : Ne pas laisser le four/rôtissoire/grille-pain sans surveillance pendant le brunissage.**

#### **CONSEILS POUR LE RÔTISSAGE**

- Surveiller les aliments pour éviter de trop faire brunir.
- Le mode de rôtissage convient aux bagels (côté coupé vers le haut), aux muffins ou au fromage fondu sur les sandwiches ou dans les casseroles.

#### **INSTRUCTIONS POUR GARDER LES ALIMENTS AU CHAUD**

1. Veiller à ce que le plateau à miettes rabattable soit fermement en place au fond du four/rôtissoire/grille-pain.
2. Brancher l'appareil dans une prise de 120 V c.a. Fermer la porte en verre.
3. Retirer tous les emballages protecteurs des aliments avant de les déposer dans le four/rôtissoire/grille-pain.
4. Ouvrir la porte en verre. Placer la grille à la position 1 ou 2. Centrer un plat de cuisson ou les aliments sur la grille, ou utiliser la plaque de cuisson, et fermer la porte en verre.
5. Régler le sélecteur de température à 90 °C (200 °F).
6. Régler la minuterie en fonction du temps désiré. Le témoin de fonctionnement s'allume.
7. Pour régler la minuterie à moins de 10 minutes, tourner le sélecteur à la position 10, puis tourner dans le sens contraire jusqu'au temps désiré.

**Mise en garde : Dès que la minuterie est activée, le four/rôtissoire/grille-pain se met en marche. Les éléments chauffants supérieur et inférieur peuvent fonctionner de façon intermittente afin de maintenir la température appropriée pendant toute la durée indiquée.**

**Mise en garde : Dès que la minuterie est activée, les deux éléments chauffants deviennent chauds immédiatement. Veiller à ne rien déposer sur le four/rôtissoire/grille-pain. Ne pas toucher au four/rôtissoire/grille-pain ni à ses composants sans porter de mitaines de cuisine.**

8. Lorsque la minuterie est réglée, le four/rôtissoire/grille-pain s'arrête automatiquement à la fin du cycle de réchauffage. Si les aliments sont suffisamment chauds avant que la minuterie arrête le four/rôtissoire/grille-pain, arrêter le four/rôtissoire/grille-pain manuellement en tournant le bouton de la minuterie à la position d'arrêt. Le témoin de fonctionnement s'éteint. Tourner le sélecteur de température à la position (0) d'arrêt.
9. À la fin du cycle de réchauffage, un signal sonore retentit et la minuterie revient à la position (0) d'arrêt. Le témoin de fonctionnement (0) s'éteint.
10. Tourner le sélecteur de température à la position d'arrêt.
11. Ouvrir la porte en verre. Enfiler des mitaines de cuisine protectrices avant de retirer les aliments du four/rôtissoire/grille-pain. Faire preuve de prudence pour retirer les aliments. L'intérieur du four/rôtissoire/grille-pain est très chaud. Fermer la porte en verre.
12. Débrancher l'appareil et le laisser refroidir complètement avant de le nettoyer.

**Mise en garde : Ne pas laisser le four/rôtissoire/grille-pain sans surveillance pendant le cycle de réchauffage.**

#### **CONSEILS POUR GARDER LES ALIMENTS AU CHAUD**

- Utiliser ce mode pendant de brèves périodes de temps une fois que les aliments sont cuits.
- Pour réchauffer des aliments surgelés ou froids, consulter la section INSTRUCTIONS POUR DÉCONGELER DES ALIMENTS.

#### **INSTRUCTIONS POUR DÉCONGELER DES ALIMENTS**

1. Retirer la plaque de cuisson et la grille.
2. Brancher l'appareil dans une prise de 120 V c.a.
3. Veiller à ce que le plateau à miettes rabattable soit fermement en place au fond du four/rôtissoire/grille-pain.
4. Ouvrir la porte en verre. Placer la grille à la position 1 ou 2 dans le four/rôtissoire/grille-pain.
5. Centrer un plat de cuisson ou les aliments sur la grille, ou utiliser la plaque de cuisson, et fermer la porte en verre.
6. Régler le sélecteur de température à 60 °C (150 °F).
7. Régler la minuterie en fonction du temps désiré. Le témoin de fonctionnement s'allume.
8. Pour régler la minuterie à moins de 10 minutes, tourner le sélecteur à la position 10, puis tourner dans le sens contraire jusqu'au temps désiré.

**Mise en garde : Dès que la minuterie est activée, le four/rôtissoire/grille-pain se met en marche. Les éléments chauffants supérieur et inférieur peuvent fonctionner de façon intermittente afin de maintenir la température appropriée pendant toute la durée indiquée.**

**Mise en garde : Dès que la minuterie est activée, les deux éléments chauffants deviennent chauds immédiatement. Veiller à ne rien déposer sur le four/rôtissoire/grille-pain. Ne pas toucher au four/rôtissoire/grille-pain ni à ses composants sans porter de mitaines de cuisine.**

9. Lorsque la minuterie est réglée, le four/rôtissoire/grille-pain s'arrête automatiquement à la fin du cycle de décongélation. Le témoin de fonctionnement s'éteint. Tourner le sélecteur de température à la position (0) d'arrêt.
10. À la fin du cycle de décongélation, un signal sonore retentit et la minuterie revient à la position (0) d'arrêt. Le témoin de fonctionnement s'éteint.
11. Tourner le sélecteur de température à la position (0) d'arrêt.
12. Ouvrir la porte en verre. Enfiler des mitaines de cuisine protectrices avant de retirer les aliments du four/rôtissoire/grille-pain. Faire preuve de prudence pour retirer les aliments. L'intérieur du four/rôtissoire/grille-pain est très chaud. Fermer la porte en verre.
13. Débrancher l'appareil et le laisser refroidir complètement avant de le nettoyer.

**Mise en garde : Ne pas laisser le four/rôtissoire/grille-pain sans surveillance pendant le cycle de décongélation.**

#### **CONSEILS POUR LA DÉCONGÉLATION**

- Ne pas utiliser cette méthode pour la viande, la volaille ou le poisson.
- Ne pas couvrir les aliments.
- Badigeonner d'huile végétale la pâte surgelée pour éviter qu'elle sèche, et retirer les aliments pour réchauffer le four/rôtissoire/grille-pain avant la cuisson.

#### **CARACTÉRISTIQUES SPÉCIALES**

##### **Minuterie de 30 minutes**

La minuterie peut aussi être utilisée comme un interrupteur (I/O) marche/arrêt pour le four/rôtissoire/grille-pain. Tourner le bouton de la minuterie dans le sens horaire pour sélectionner le temps de cuisson désiré. Pour régler la minuterie à moins de 10 minutes, tourner le sélecteur à la position 10, puis tourner dans le sens contraire jusqu'au temps désiré.

À la fin du cycle de cuisson, un signal sonore retentit et l'appareil s'arrête automatiquement. Pour arrêter le four/rôtissoire/grille-pain en tout temps, tourner manuellement le bouton de la minuterie à la position d'arrêt. Débrancher le four/rôtissoire/grille-pain lorsqu'il n'est pas utilisé.

**Mise en garde : Ne pas laisser le four/rôtissoire/grille-pain sans surveillance lorsqu'il est en fonction.**

##### **Grille amovible**

La grille doit être utilisée pour toutes les fonctions de cuisson et de grillage. La grille est amovible pour faciliter le nettoyage, et doit être remise en place adéquatement avant l'utilisation.

##### **Plateau à miettes rabattable**

Le plateau à miettes au fond du four peut être ouvert pour le nettoyage.

##### **Témoin de fonctionnement**

Lorsque la minuterie est réglée en fonction du temps désiré, le témoin de fonctionnement s'allume. L'appareil s'arrête automatiquement si la minuterie de 30 minutes est utilisée. À la fin du cycle de cuisson, le témoin de fonctionnement s'éteint.

##### **Plaque de cuisson**

Pour obtenir les meilleurs résultats, utiliser la plaque de cuisson pour cuire, rôtir, décongeler, brunir ou réchauffer les aliments, et pour minimiser les tâches de nettoyage dues aux éclaboussures. En mode de rôtissage, la plaque de cuisson et la grille doivent être utilisées.

## **Entretien et nettoyage**

L'utilisateur ne peut effectuer lui-même l'entretien d'aucune pièce de ce produit. Confier l'entretien à un technicien qualifié.

1. Veiller à ce que le sélecteur de température et la minuterie soient en position (0) d'arrêt, et débrancher le four/rôtissoire/grille-pain avant le nettoyage.
2. Laisser le four/rôtissoire/grille-pain et les accessoires refroidir complètement avant le nettoyage.
3. Nettoyage l'extérieur du four/rôtissoire/grille-pain à l'aide d'un linge humide et bien le sécher. Utiliser un nettoyant liquide non abrasif pour les taches tenaces. Rincer et bien sécher. Ne pas utiliser de tampons métalliques à récuser ou de nettoyants abrasives risquent de causer des égratignures.
4. Nettoyer la porte en verre à l'aide d'un linge ou d'une éponge imprégnée d'eau chaude savonneuse. Bien sécher.
5. Retirer la plaque de cuisson et la grille. Laver à l'eau savonneuse, rincer et bien sécher.
6. Ne pas utiliser de nettoyants abrasives ou de tampons métalliques à récuser pour nettoyer la plaque de cuisson et la grille. Pour les taches tenaces, nettoyer à l'aide d'un tampon en nylon ou en polyester et d'un nettoyant non abrasif. Rincer et bien sécher.
7. Pour nettoyer le plateau à miettes rabattable, incliner le four vers l'arrière. Pousser vers l'arrière le bouton au fond du four pour dégager le plateau à miettes rabattable. Tout en maintenant le four incliné, placer le plateau à miettes à angle pour le nettoyage. Essuyer le plateau à l'aide d'un linge humide pour éliminer les miettes et les éclaboussures. Toujours bien sécher le plateau à miettes avant de le refermer. Saisir le bouton et rabattre le plateau vers le haut pour le fixer en place.

**Mise en garde : Ne pas utiliser de nettoyants en aérosol ou autres nettoyants à four. Ces types de nettoyants risquent de provoquer des dommages électriques.**

#### **NETTOYAGE DE L'INTÉRIEUR**

1. Toujours débrancher l'appareil et le laisser refroidir complètement avant de le nettoyer ou de le déplacer.
2. Retirer la plaque de cuisson et la grille.
3. Nettoyer l'intérieur à l'aide d'un nettoyant doux ou non abrasif et d'un tampon à récuser en plastique après chaque utilisation afin d'éviter les résidus. Ne pas frotter trop fort pour éviter les égratignures.
4. Rincer et bien sécher avant de fermer la porte en verre.

#### **NETTOYAGE DE L'EXTÉRIEUR**

Essuyer les surfaces à l'aide d'un linge propre et humide. Ne pas utiliser de nettoyants abrasives pour ne pas égratigner la surface.

#### **RANGEMENT**

Débrancher l'appareil, le laisser refroidir complètement et le nettoyer avant de le ranger. Le ranger dans sa boîte dans un endroit propre et sec. Ne jamais le ranger pendant qu'il est encore chaud ou branché. Ne jamais enrouler fermement le cordon autour de l'appareil. Ne jamais exercer de tension sur le cordon à l'endroit où il est relié à l'appareil, car le cordon pourrait s'effiloche et se rompre.

## NEED HELP?

For service, repair or any questions regarding your appliance, call the appropriate 800 number on the cover of this book. **DO NOT** return the product to the place of purchase. Also, please **DO NOT** mail product back to the manufacturer, nor bring it to a service center. You may also want to consult the website listed on the cover of this manual.

### **One-Year Limited Warranty (Applies only in the United States and Canada)**

#### **What does it cover?**

- Any defect in material or workmanship provided; however, Applica's liability will not exceed the purchase price of the product.

#### **For how long?**

- One year after the date of original purchase.

#### **What will we do to help you?**

- Provide you with a reasonably similar replacement product that is either new or factory refurbished.

#### **How do you get service?**

- Save your receipt as proof of date of sale.
- Check our on-line service site at [www.prodprotect.com/applica](http://www.prodprotect.com/applica), or call our toll-free number, 1-800-231-9786, for general warranty service.
- If you need parts or accessories, please call 1-800-738-0245.

#### **What does your warranty not cover?**

- Damage from commercial use
- Damage from misuse, abuse or neglect
- Products that have been modified in any way
- Products used or serviced outside the country of purchase
- Glass parts and other accessory items that are packed with the unit
- Shipping and handling costs associated with the replacement of the unit
- Consequential or incidental damages (Please note, however, that some states do not allow the exclusion or limitation of consequential or incidental damages, so this limitation may not apply to you.)

#### **How does state law relate to this warranty?**

- This warranty gives you specific legal rights, and you may also have other rights that vary from state to state or province to province.

## BESOIN D'AIDE?

Pour communiquer avec les services d'entretien ou de réparation, ou pour adresser toute question relative au produit, composer le numéro sans frais approprié indiqué sur la page couverture. **Ne pas** retourner le produit où il a été acheté. **Ne pas** poster le produit au fabricant ni le porter dans un centre de service. On peut également consulter le site web indiqué sur la page couverture.

### **Garantie limitée de un an (Valable seulement aux États-Unis et au Canada)**

#### **Quelle est la couverture?**

- Tout défaut de main-d'oeuvre ou de matériau; toutefois, la responsabilité de la société Applica se limite au prix d'achat du produit.

#### **Quelle est la durée?**

- Un an après l'achat original.

#### **Quelle aide offrons nous?**

- Remplacement par un produit raisonnablement semblable nouveau ou réusiné.

#### **Comment se prévaut-on du service?**

- Conserver son reçu de caisse comme preuve de la date d'achat.
- Visiter notre site web au [www.prodprotect.com/applica](http://www.prodprotect.com/applica), ou composer sans frais le 1 800 231-9786, pour obtenir des renseignements généraux relatifs à la garantie.
- On peut également communiquer avec le service des pièces et des accessoires au 1 800 738-0245.

#### **Qu'est-ce que la garantie ne couvre pas?**

- Des dommages dus à une utilisation commerciale.
- Des dommages causés par une mauvaise utilisation ou de la négligence.
- Des produits qui ont été modifiés.
- Des produits utilisés ou entretenus hors du pays où ils ont été achetés.
- Des pièces en verre et tout autre accessoire emballés avec le produit.
- Les frais de transport et de manutention reliés au remplacement du produit.
- Des dommages indirects (il faut toutefois prendre note que certains états ne permettent pas l'exclusion ni la limitation des dommages indirects).

#### **Quelles lois régissent la garantie?**

- Les modalités de la présente garantie donnent des droits légaux spécifiques. L'utilisateur peut également se prévaloir d'autres droits selon l'état ou la province qu'il habite.



2008/5-7-61E/F

Copyright © 2008 Applica Consumer Products, Inc.

Made in People's Republic of China  
Printed in People's Republic of China

Fabriqué en République populaire de Chine  
Imprimé en République populaire de Chine