

Auto Series Brewers

Automatic 2-Warmer Brewers



Model AT-2W
(decanters sold separately)



GRINDMASTER™
CORPORATION



GRINDMASTER™
CORPORATION

Model AT-2W/AT-2WE

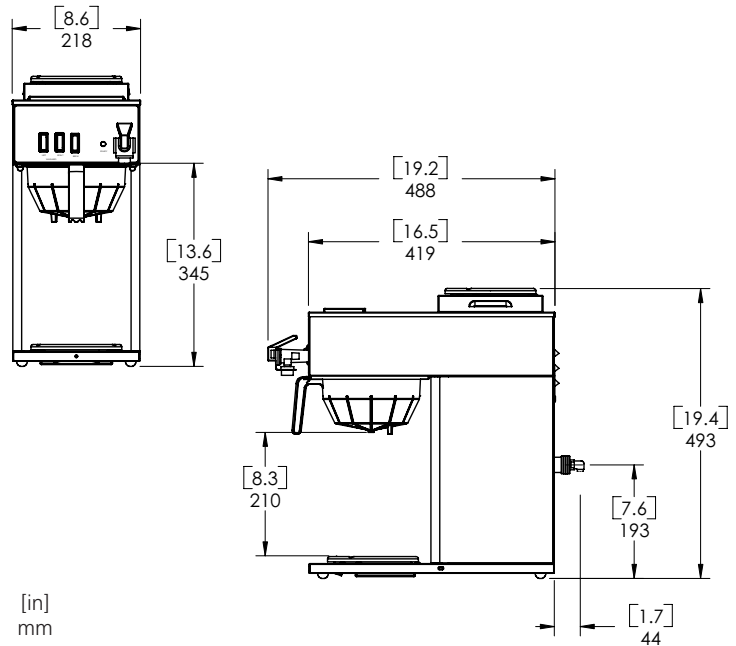
Auto Series Brewers

Features

- Water tank electrical quick disconnect
- Water tank drain
- Adjustable brew rails
- Durable stainless steel construction
- Pourover feature included
- Momentary contact brew start switch
- Plastic brew basket
- Hot water faucet
- One year parts and labor warranty

AT-2W Features

- 2 warmers for a variety of coffee types and flavors
- Lighted warmer switches indicate when warmers are "On"
- Brews up to 75 oz. (2.2L) decanters (sold separately)



| Specifications | Model AT-2W / AT-2WE |
|-----------------------------|--|
| Volts/Watts/Amps | AT-2W: 120V / 1600W / 13.3A AT-2WE: 230V / 2520W / 11 A |
| Brew Capacity | 75 oz. (2.2 L) |
| # Warmers | 2 |
| Dimensions (H x W x D) | 19-1/2" x 8-1/2" x 16-1/2" (49 cm x 22 cm x 42 cm) |
| Machine Weight | 24 lbs (10.9 kg) |
| Ship Dimensions (H x W x D) | 23-1/4" x 12-1/2" x 22-1/2" (59 cm x 32 cm x 57 cm) |
| Ship Weight | 29 lbs (13.2 kg) |
| Listings (pending) | UL, NSF, (CE for E models only) |

All specifications are subject to improvement or change without notice.

Ask about Grindmaster Corporation's line of Coffee Grinders, Coffee Brewers, Coffee Urns, Coffee Shuttles, Coffee Grindbrewers, Espresso Grinders, Espresso Brewers, Cold Beverage Dispensers, Granita Machines and Beverage Freezers.



pending



pending



GRINDMASTER™
CORPORATION



pending

Grindmaster® Coffee Grinders and Brewers • PrecisionBrew™ Brewing Systems • Espresso® Espresso Machines
Crathco® Hot Beverage Dispensers • Crathco® Cold and Frozen Beverage Dispensers • AMW Coffee and Tea Systems
Tel (502) 425-4776 • Fax (502) 425-4664 • 1-800-695-4500 (USA & Canada only)

P.O. Box 35020 • Louisville, KY 40232 • USA

www.grindmaster.com • email: info@grindmaster.com