



MOTOR AND DRIVE PARTS

For Models: TU800SPPB2, TU800SPPQ2
(Black) (White)

TRASH
COMPACTOR

Illus. No.	Part No.	DESCRIPTION
1	9872208	Literature Parts
	9871607	Guide, Use & Care Instructions, Installation
	9871765	Tech Sheet
	8052029	Label, 1-800 Number

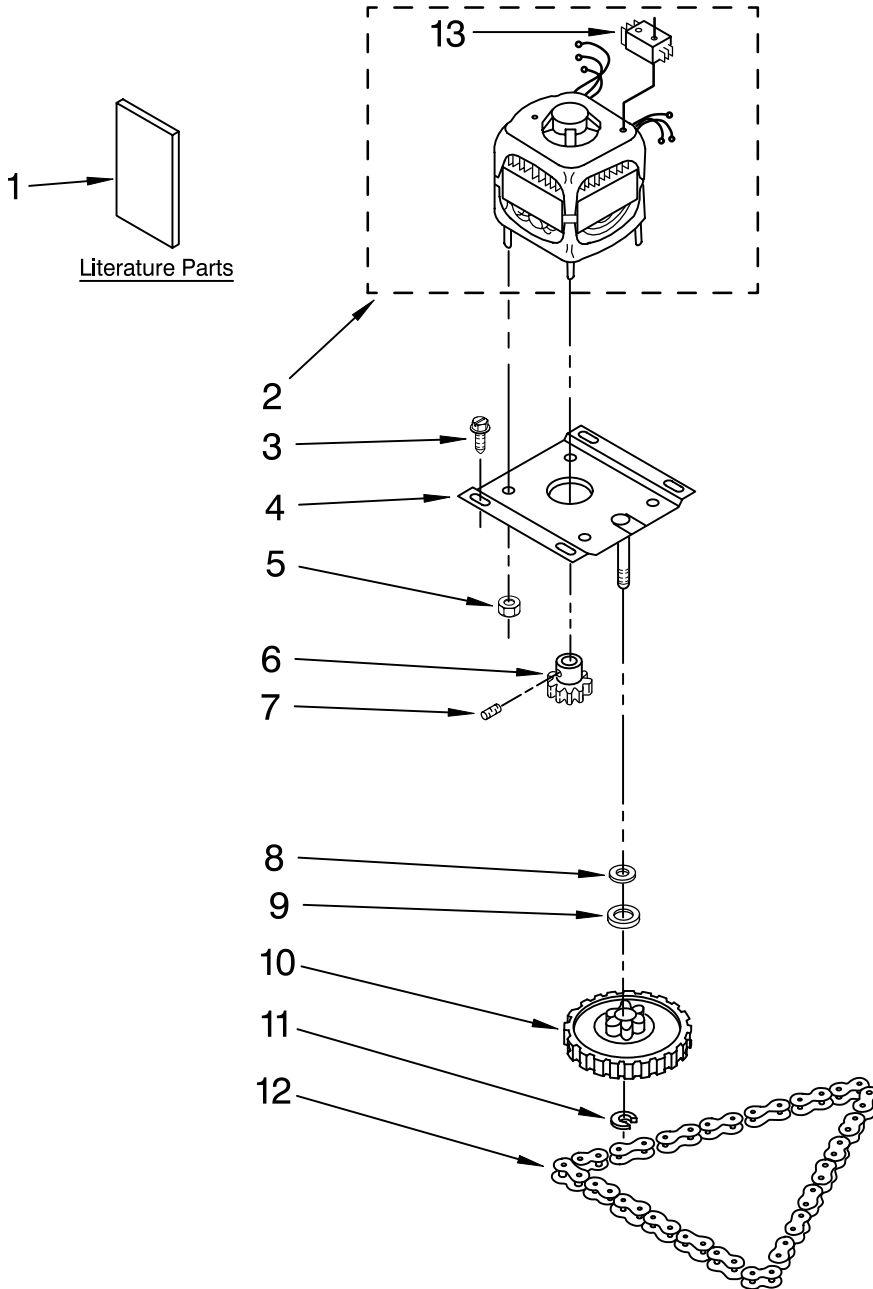
Following May Be Purchased

DO-IT-YOURSELF REPAIR MANUALS

677821	Do-It-Yourself Manual
2	9870343 Motor, Drive (Includes Item 13)
3	9871067 Screw,
4	776327 Plate, Motor
5	776338 Locknut, 10-32 (4)
6	4149667 Gear, Drive
7	454512 Pin, Slotted Spring
8	776035 Washer, Wave
9	297462 Washer, Thrust
10	777124 Gear, Driven
11	776036 Clip, Ring
12	780477 Chain, Drive
13	777971 Switch, Motor

Parts Not Illustrated and Optional Parts (Not Included)

9870118	Undercounter Conversion Kit
---------	-----------------------------

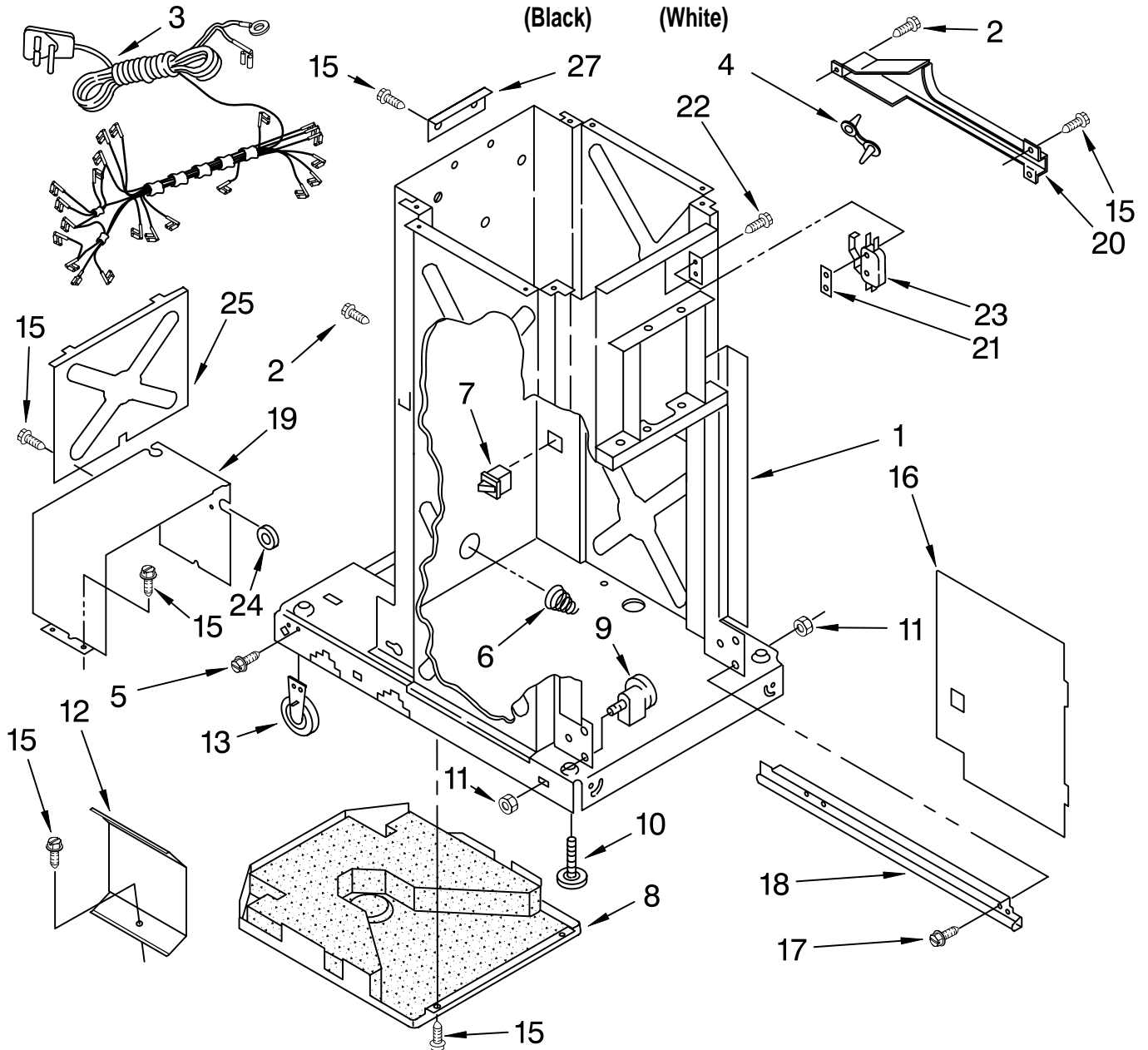


FOR ORDERING INFORMATION REFER TO PARTS PRICE LIST

FRAME PARTS

For Models: TU800SPPB2, TU800SPPQ2

(Black) (White)



Illus. No.	Part No.	DESCRIPTION
1		Frame (Not A Serviceable Part)
2	777070	Screw, 8-32 x 5/16
3	9872113	Harness-Cord, Power
4	777035	Clamp, Wire
5	780034	Screw, 10-24 x 3/8
6	777180	Spring, Container
7	4149377	Switch, Drawer Safety
8	9870167	Pan, Bottom

Illus. No.	Part No.	DESCRIPTION
9	4153788	Bearing, Roller (2)
10	775526	Bolt, Leveler
11	776356	Locknut, 3/8-24
12	9870867	Shield, Slide Track(2)
13	9870585	Wheel, Leveler (2)
15	489478	Screw, 8 x 1/2 AB
16	9870444	Panel, Inner
17	777458	Screw, 6-32 x 3/8
18	9870976	Frame, Slide (R.H.)
	9870975	Frame, Slide (L.H.)

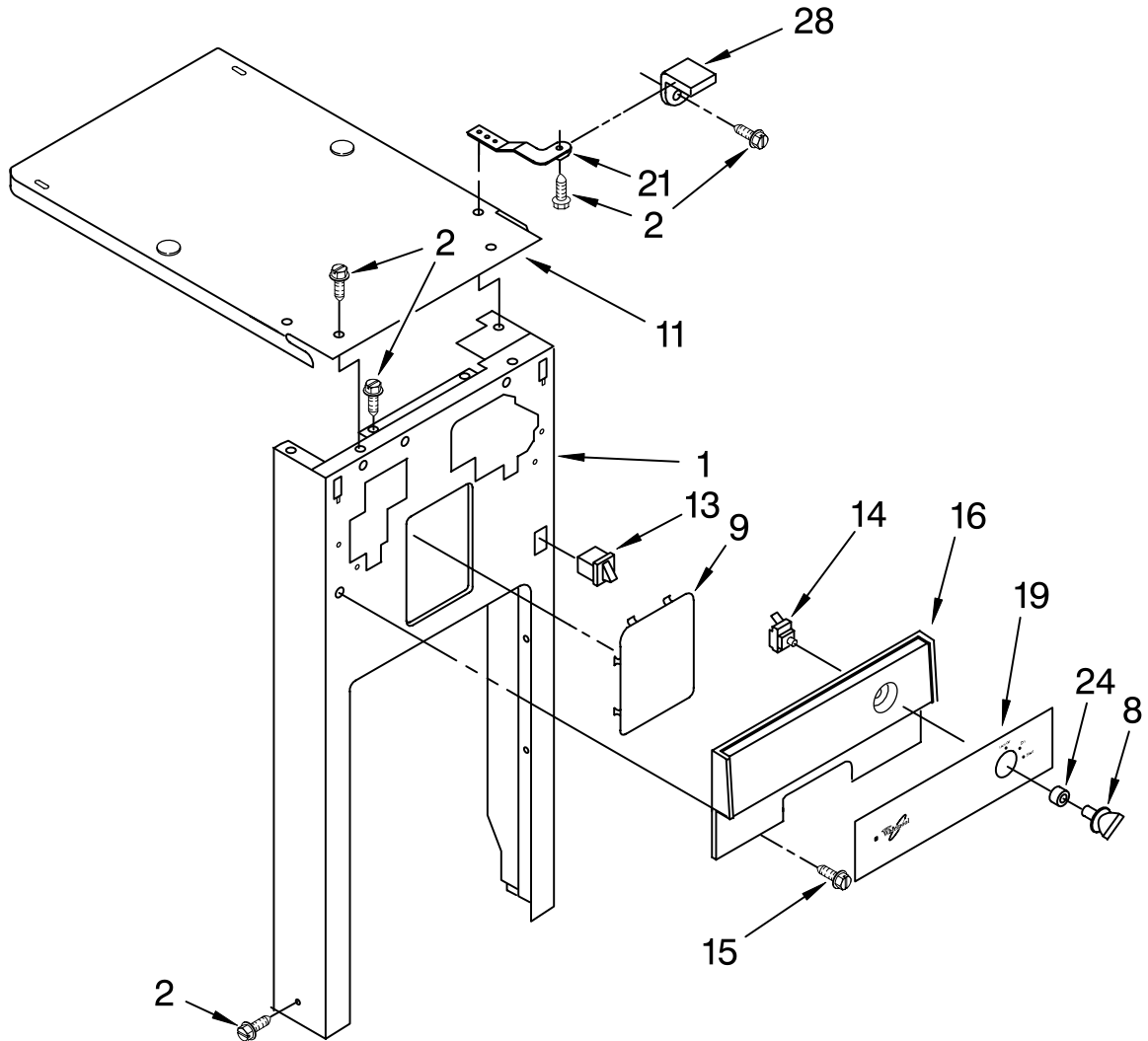
Illus. No.	Part No.	DESCRIPTION
19	780434	Cover, Motor
20	4149659	Shield, Harness
21	777850	Nut, Plate
22	489399	Screw, 8-32 x 5/16
23	777811	Switch, Top Limit & Directional
24	776118	Grommet, Motor Cover
25	608009	Plate, Cover
27	775668	Angle, Top Bracket

FOR ORDERING INFORMATION REFER TO PARTS PRICE LIST

PANEL AND CONTROL PARTS

For Models: TU800SPPB2, TU800SPPQ2

(Black) (White)



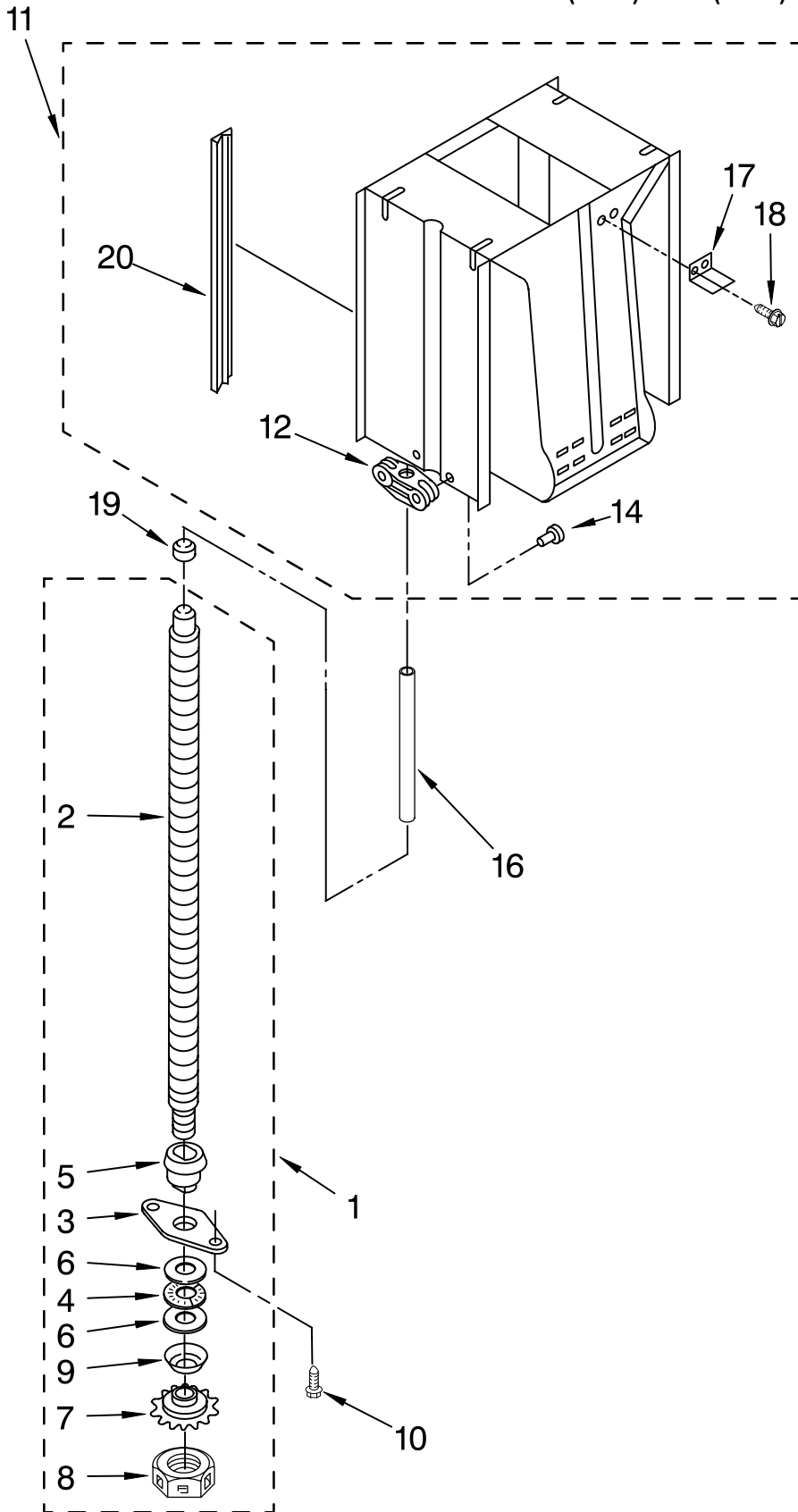
Illus. No.	Part No.	DESCRIPTION	Illus. No.	Part No.	DESCRIPTION	Illus. No.	Part No.	DESCRIPTION
1	9871072 9871073	Panel, Black White	11	9871825	Cover, Top (Recessed)	19	9872078B 9872078W	Insert, Black White
2	489478	Screw, 8 x 1/2AB	13	9871829	Switch, Drawer Tilt			
8		Knob, Switch	14	608824	Switch, Rotary	21	9871993	Bracket, Retainer
	9870487 9870486	Black White	15	777849	Screw, 6-20 x 1	24	777383	Nut, Rotary Switch
9		Plate, Cover	16	9871839B 9871839W	Escutcheon, Control Black White	28	780239	Bracket, Mounting (2) (Alternate)

FOR ORDERING INFORMATION REFER TO PARTS PRICE LIST

POWERSCREW AND RAM PARTS

For Models: TU800SPPB2, TU800SPPQ2

(Black) (White)



Illus. No.	Part No.	DESCRIPTION
1	9870500	Screw, Power Complete Assembly (2)
2		Screw, Power (Available Only As Complete Assembly)
3	779121	Plate, Bearing (2)
4	775482	Bearing, Needle (2)
5	776941	Hub, Power Screw (2)
6	775481	Race, Thrust (4)
7	777385	Sprocket, Washer (2)
8	4154842	Nut, Power Screw (2)
9	777332	Washer, Cone (2)
10	9871067	Screw, (2)
11	9871251	Ram Assembly
12	9870163	Nut, Power
14	9870187	Stud
16	9870037	Stop, Ram Powerscrew (2)
17	9870498	Bracket, Top Limit Switch
18	780034	Screw, (2) 10-24 x 3/8
19	9870775	Cap, Stop
20	9870169	Slide, Ram (4)

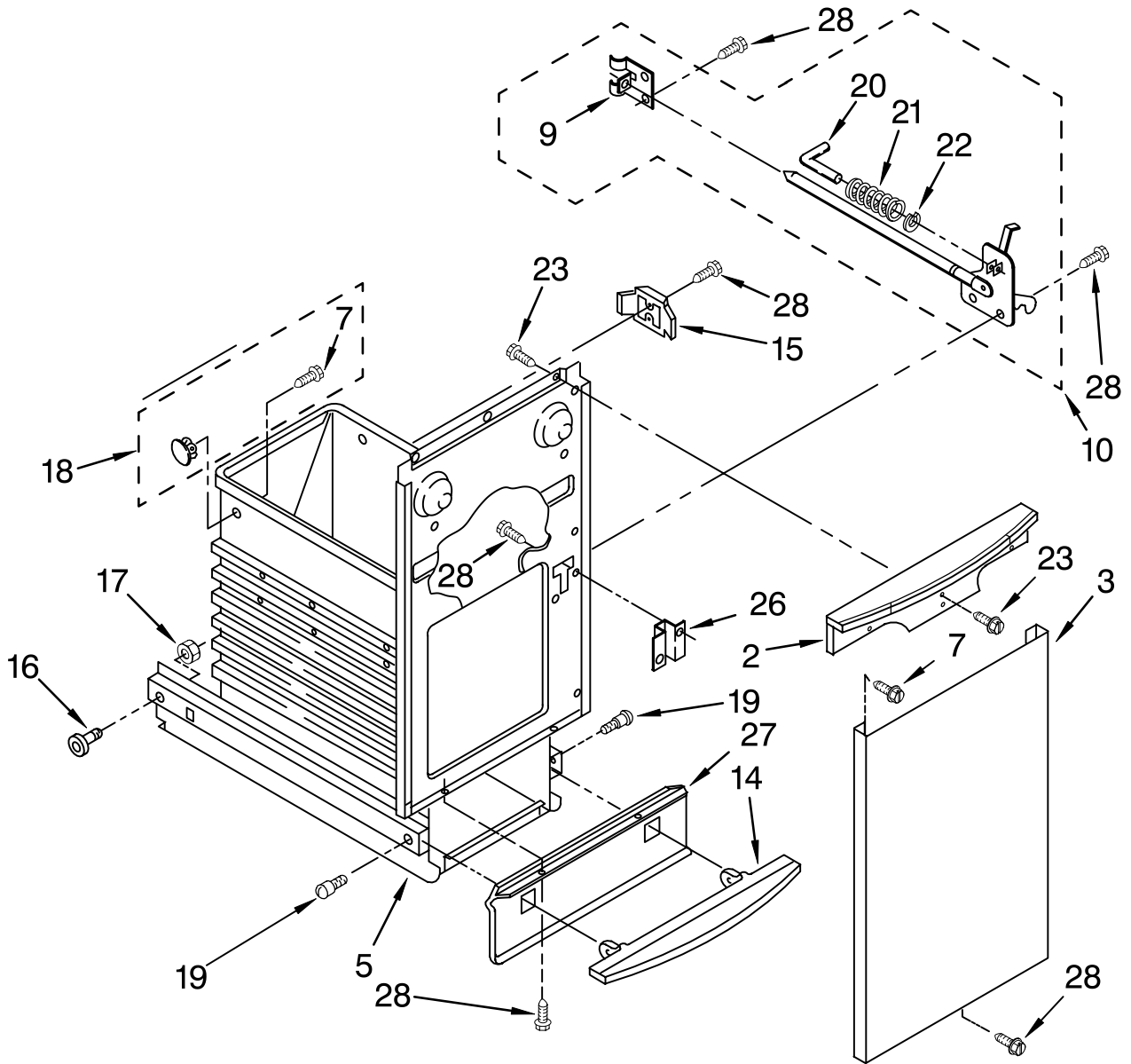
FOR ORDERING INFORMATION REFER TO PARTS PRICE LIST

CONTAINER PARTS

For Models: TU800SPPB2, TU800SPPQ2

(Black)

(White)



FOR ORDERING INFORMATION REFER TO PARTS PRICE LIST

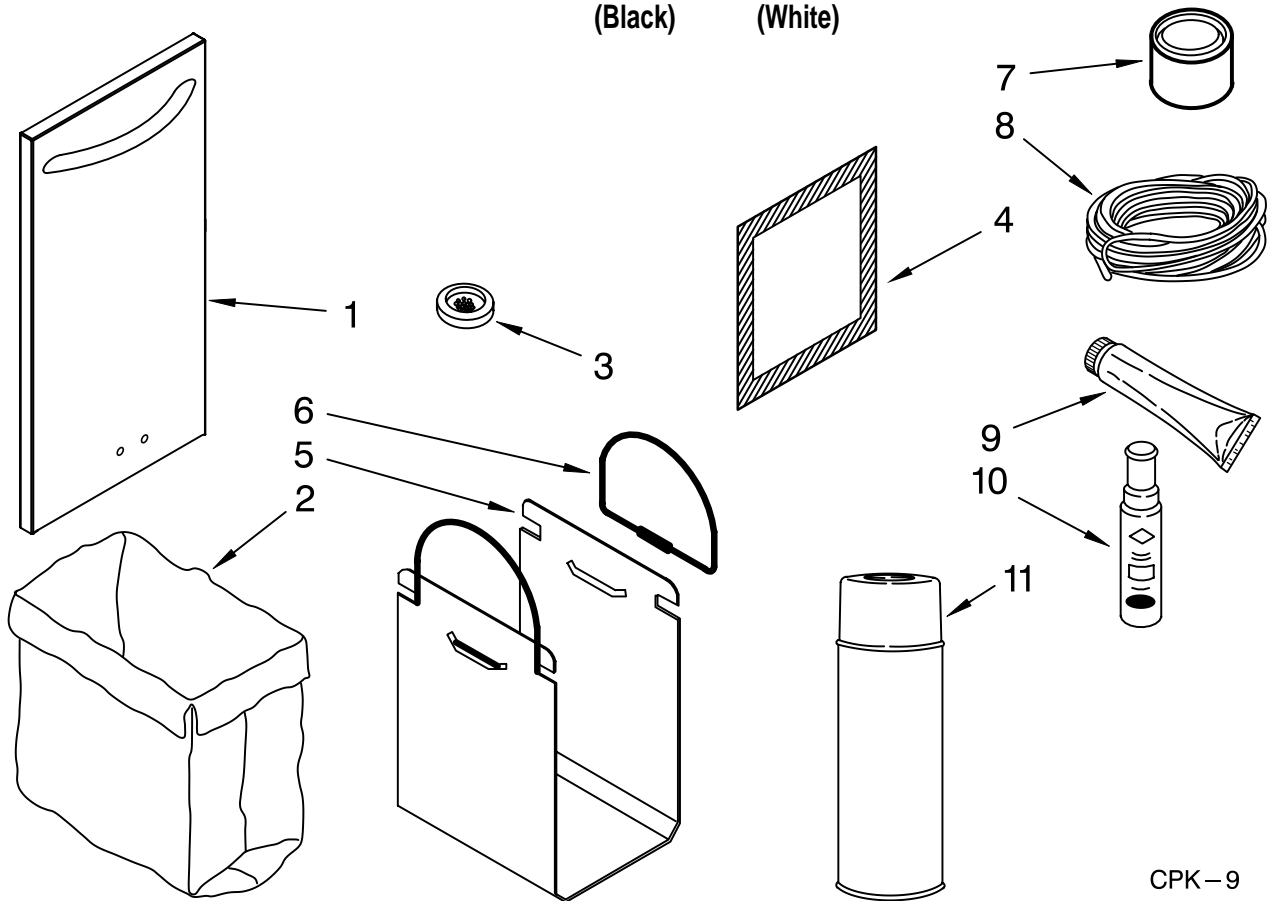
CONTAINER PARTS

For Models: TU800SPPB2, TU800SPPQ2
(Black) (White)

Illus. No.	Part No.	DESCRIPTION
2		Handle, Container
	9871267	Black
	9871235	White
3		Panel, Container
	9871311	Black
	9871309	White
5	884573	Container Assembly
7	3196175	Screw
9	776395	Guide, Rear Latch
10	9870066	Latch Assembly
14		Pedal, Foot
	4149672	Black
	9871031	White
15	9871125	Actuator, Safety Switch
16	9871602	Bearing Roller Container (2)
17	776356	Locknut, 3/8-24 (2)
18	4147703	Retainer, Bag (Contains 4 Each)
19	780263	Screw, Shoulder 8-16 x 7/16 (2)
20	776654	Pin
21	775736	Spring
22	775735	"E" Ring
23	3400888	Screw, 8-18 x 1/2
26	775665	Plate, Latch
27		Guard, Toeplate
	777328	Black
	9871030	White
28	489478	Screw, 8 x 1/2AB

ACCESSORY PARTS

For Models: TU800SPPB2, TU800SPPQ2
(Black) (White)



CPK-9

Illus. No.	Part No.	DESCRIPTION
The Accessory Parts Listed Below May or May Not Be Included With Your Compactor.		
1		Panel, Container Front/Handle
	4396297	White/White
	4396296	Black/Black
	4396298	Biscuit/Biscuit
	4396299	Cobalt Blue/SSt.
	4396300	Empire Red/SSt.
	9871805	Majestic Yellow w/SSt. Handle
2		Bag, Trash (15" Plastic)
	4318921	15 Pack
	4318922	60 Pack
	94318921	12 Boxes of 15 Pack (15" Paper)
	675186	12 Pack
	882652	48 Pack
3	777635	Deodorizer, Solid Stick-Ups (2-Pack)

Illus. No.	Part No.	DESCRIPTION
4		Deodorizer Block
	9872166LG	Lemongrove
	9872166GA	Green Apple
	9872166L	Lavender
5	13030	Carrier, Bag (Includes No. 6)
6	777108	Handle, Bag Carrier
7	675351	Grease, 4 Oz. (Use on Power Screw & Ram Pressure Pads)
8		Wire, 25' Roll
	10875	Blue 16 Ga.
	242820	Black 14 Ga.
	242825	Red 14 Ga.
	242826	White 14 Ga.
	47261	Black 12 Ga.
	299885	Red 12 Ga.
	47263	White 12 Ga.
9	279368	Adhesive, Insulation (2oz Tube)

Illus. No.	Part No.	DESCRIPTION
10		Paint, Touch-Up 1/2 Oz.
	72107	Almond
	72017	White
	72032	Black
	4892899	Biscuit
	8171571	Cobalt Blue
	8171651	Hunter Green
	8171652	Empire Red
	8171653	Majestic Yellow
11		Paint, Spray 13 Oz.
	350956	Almond
	285006	Black
	4392901	Biscuit
	350930	White

OPTIONAL PARTS NOT ILLUSTRATED

Framed Trim Kits		
	9871382	White
	9871383	Black
	9871600	Biscuit

FOR ORDERING INFORMATION REFER TO PARTS PRICE LIST