



MOTOR AND DRIVE PARTS

For Models: TU800SPPB0, TU800SPPQ0

(Black) (White)

TRASH
COMPACTOR

Illus. No.	Part No.	DESCRIPTION
1	9871676	Literature Parts
	9871607	Guide, Use & Care Instructions, Installation
	9871765	Tech Sheet
	8052029	Label, 1-800 Number

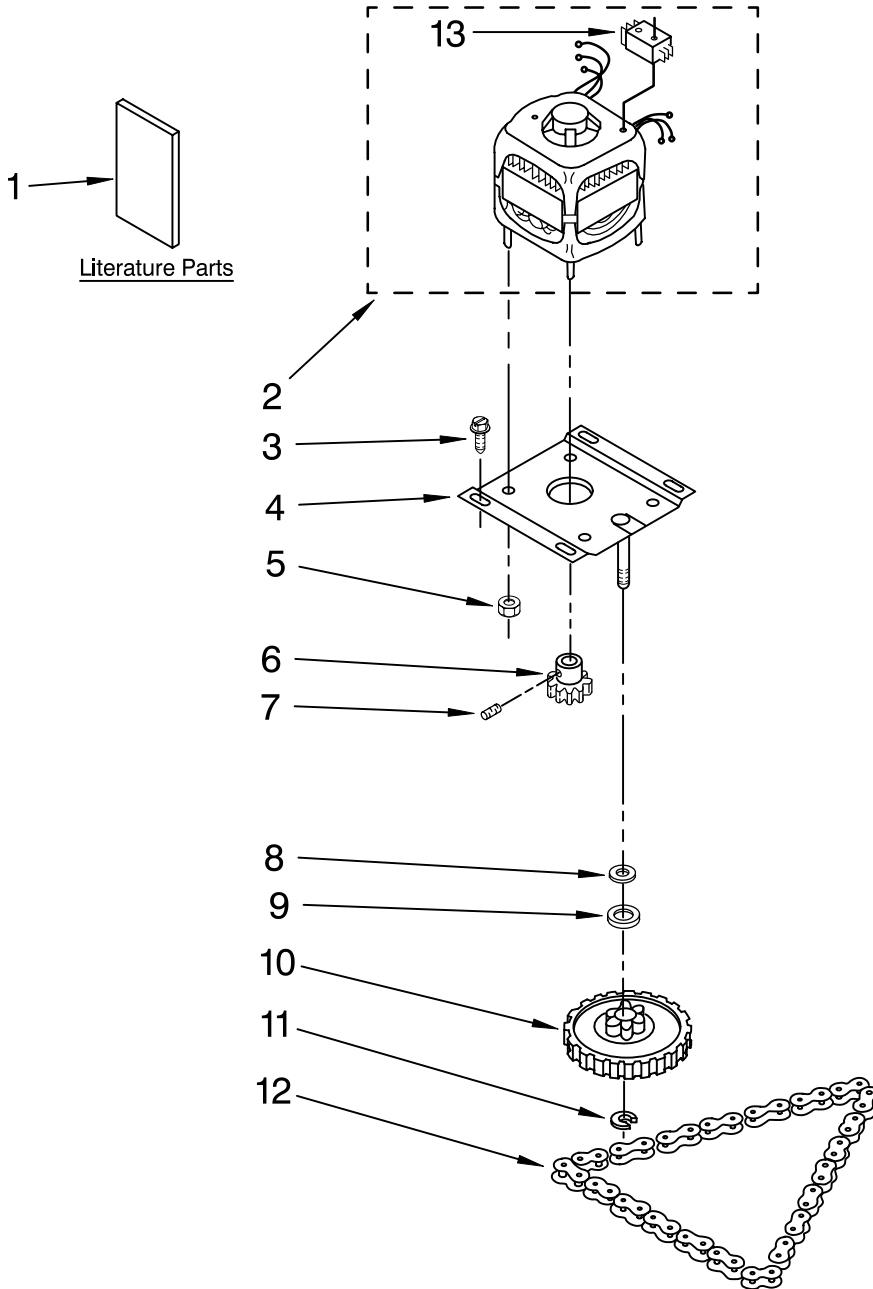
Following May Be Purchased

DO-IT-YOURSELF REPAIR MANUALS

	677821	Do-It-Yourself Manual
2	9870343	Motor, Drive (Includes Item 13)
3	9871067	Screw,
4	776327	Plate, Motor
5	776338	Locknut, 10-32 (4)
6	4149667	Gear, Drive
7	454512	Pin, Slotted Spring
8	776035	Washer, Wave
9	297462	Washer, Thrust
10	777124	Gear, Driven
11	776036	Clip, Ring
12	780477	Chain, Drive
13	777971	Switch, Motor

Parts Not Illustrated and Optional Parts (Not Included)

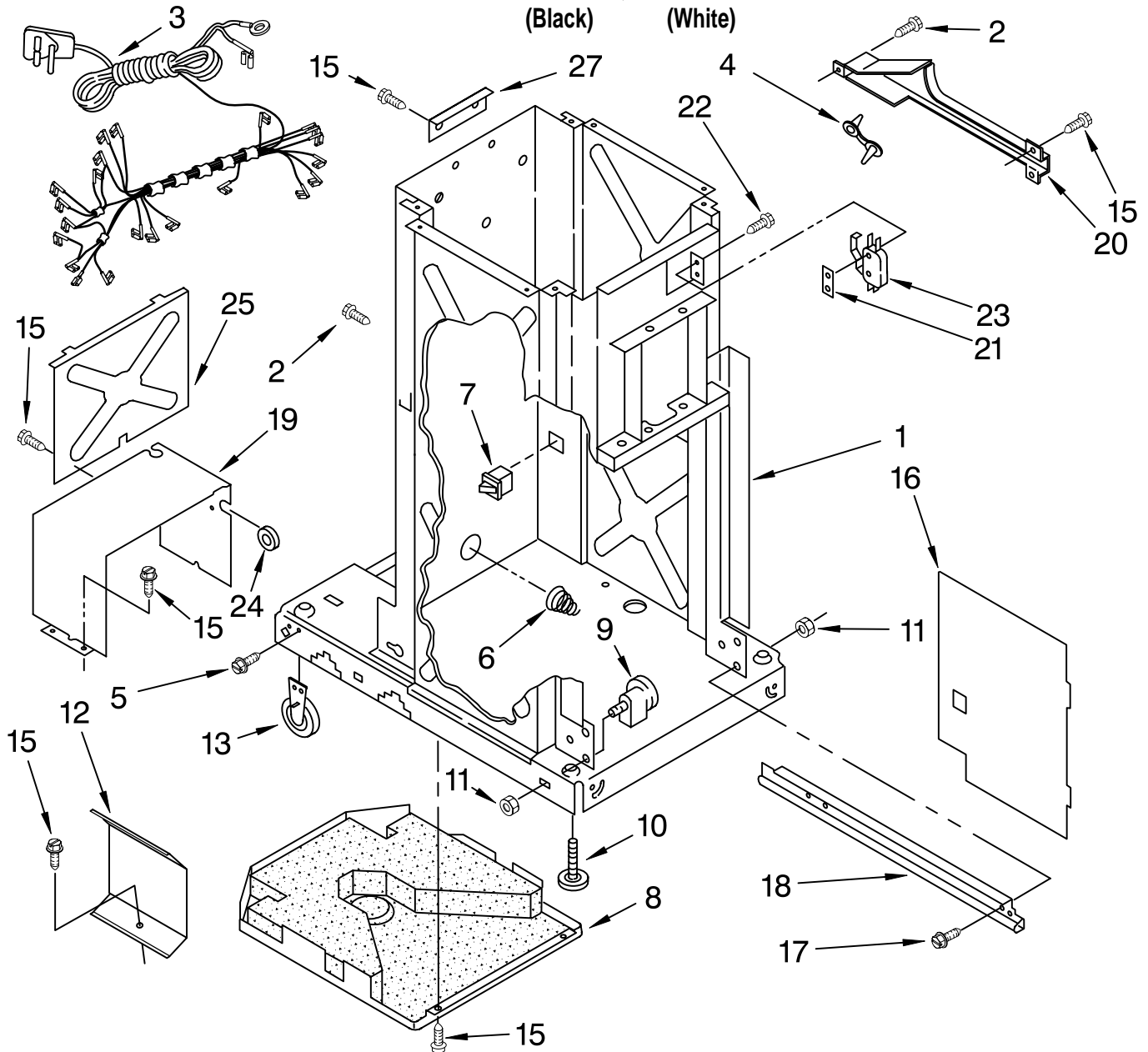
9870118	Undercounter Conversion Kit
---------	-----------------------------



FOR ORDERING INFORMATION REFER TO PARTS PRICE LIST

FRAME PARTS

For Models: TU800SPPB0, TU800SPPQ0
(Black) (White)



Illus. No.	Part No.	DESCRIPTION
1		Frame (Not A Serviceable Part)
2	777070	Screw, 8-32 x 5/16
3	9871896	Harness-Cord, Power
4	777035	Clamp, Wire
5	780034	Screw, 10-24 x 3/8
6	777180	Spring, Container
7	4149377	Switch, Drawer Safety
8	780437	Pan, Bottom

Illus. No.	Part No.	DESCRIPTION
9	4153788	Bearing, Roller (2)
10	775526	Bolt, Leveler
11	776356	Locknut, 3/8-24
12	9870867	Shield, Slide Track(2)
13	9870585	Wheel, Leveler (2)
15	489478	Screw, 8 x 1/2 AB
16	9870444	Panel, Inner
17	777458	Screw, 6-32 x 3/8
18	9870976	Frame, Slide (R.H.)
	9870975	Frame, Slide (L.H.)

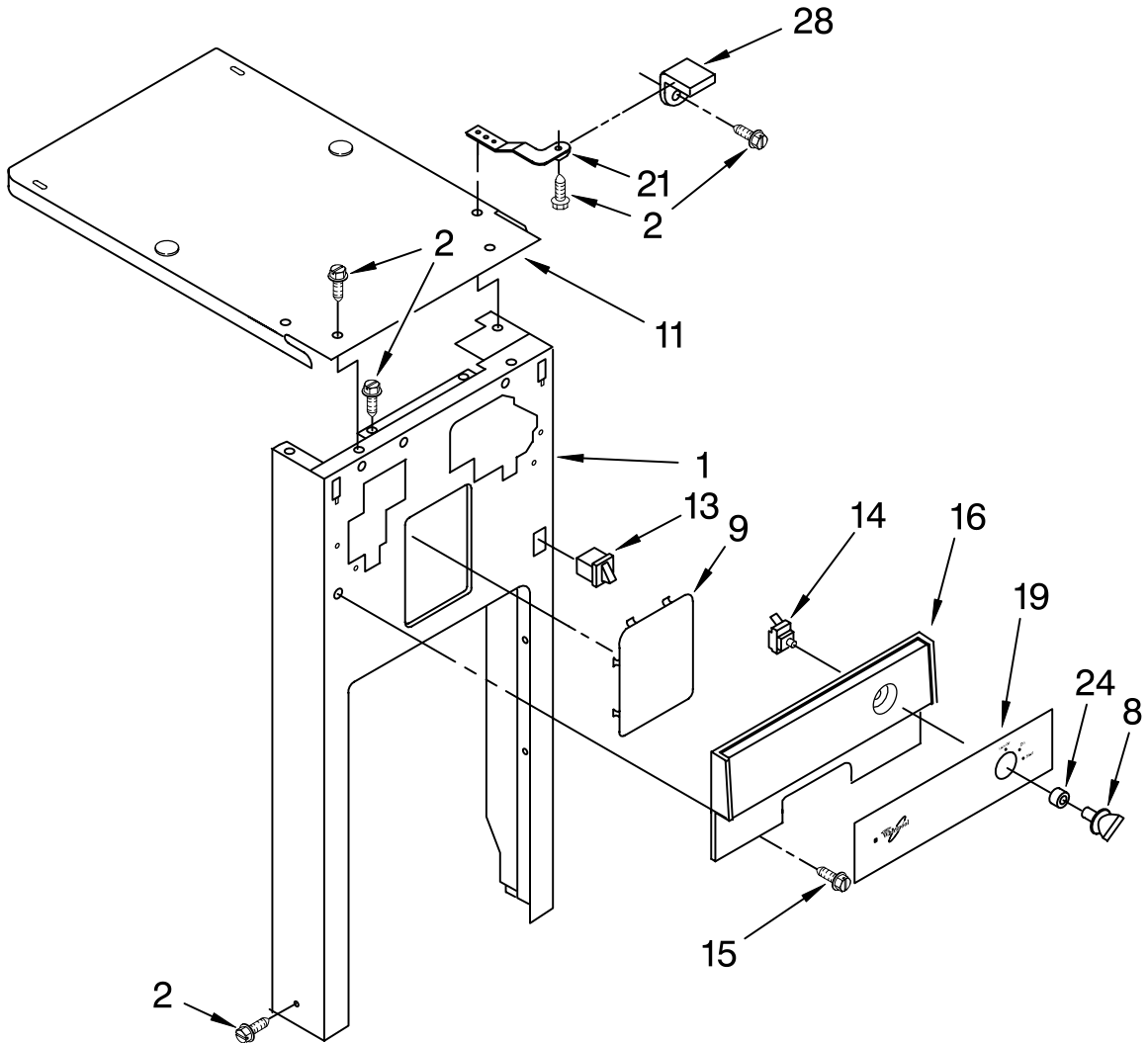
Illus. No.	Part No.	DESCRIPTION
19	780434	Cover, Motor
20	4149659	Shield, Harness
21	777850	Nut, Plate
22	489399	Screw, 8-32 x 5/16
23	777811	Switch, Top Limit & Directional
24	776118	Grommet, Motor Cover
25	608009	Plate, Cover
27	775668	Angle, Top Bracket

FOR ORDERING INFORMATION REFER TO PARTS PRICE LIST

PANEL AND CONTROL PARTS

For Models: TU800SPPB0, TU800SPPQ0

(Black) (White)



Illus. No.	Part No.	DESCRIPTION
1	9871072 Black 9871073 White	Panel, Front
2	489478	Screw, 8 x 1/2AB
8	9870487 Black 9870486 White	Knob, Switch
9	9871160 Black 9870473 White	Plate, Cover

Illus. No.	Part No.	DESCRIPTION
11	9871825	Cover, Top (Recessed)
13	9871829	Switch, Drawer Tilt
14	608824	Switch, Rotary
15	777849	Screw, 6-20 x 1
16	9871839B Black 9871839W White	Escutcheon, Control

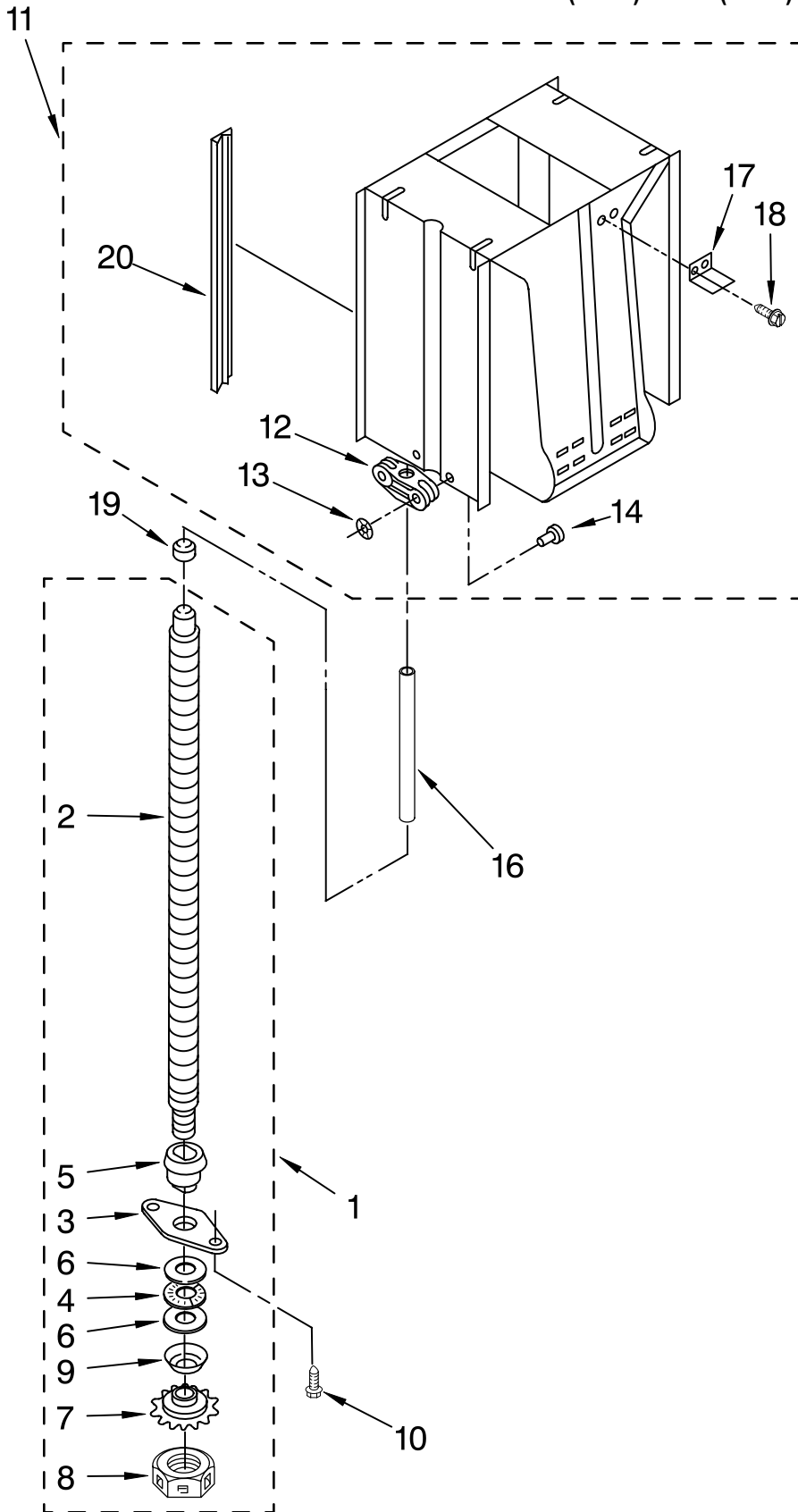
Illus. No.	Part No.	DESCRIPTION
19	9872078B Black 9872078W White	Insert, Decorative
21	9871993	Bracket, Retainer
24	777383	Nut, Rotary Switch
28	780239	Bracket, Mounting (2) (Alternate)

FOR ORDERING INFORMATION REFER TO PARTS PRICE LIST

POWERSCREW AND RAM PARTS

For Models: TU800SPPB0, TU800SPPQ0

(Black) (White)



Illus. No.	Part No.	DESCRIPTION
1	9870500	Screw, Power Complete Assembly (2)
2		Screw, Power (Available Only As Complete Assembly)
3	779121	Plate, Bearing (2)
4	775482	Bearing, Needle (2)
5	776941	Hub, Power Screw (2)
6	775481	Race, Thrust (4)
7	777385	Sprocket, Washer (2)
8	4154842	Nut, Power Screw (2)
9	777332	Washer, Cone (2)
10	9871067	Screw,
11	9871251	Ram Assembly
12	9870163	Nut, Power
13	90296	Clip
14	9870187	Stud
16	9870037	Stop, Ram Powerscrew (2)
17	9870498	Bracket, Top Limit Switch
18	780034	Screw, (2) 10-24 x 3/8
19	9870775	Cap, Stop
20	9870169	Slide, Ram (4)

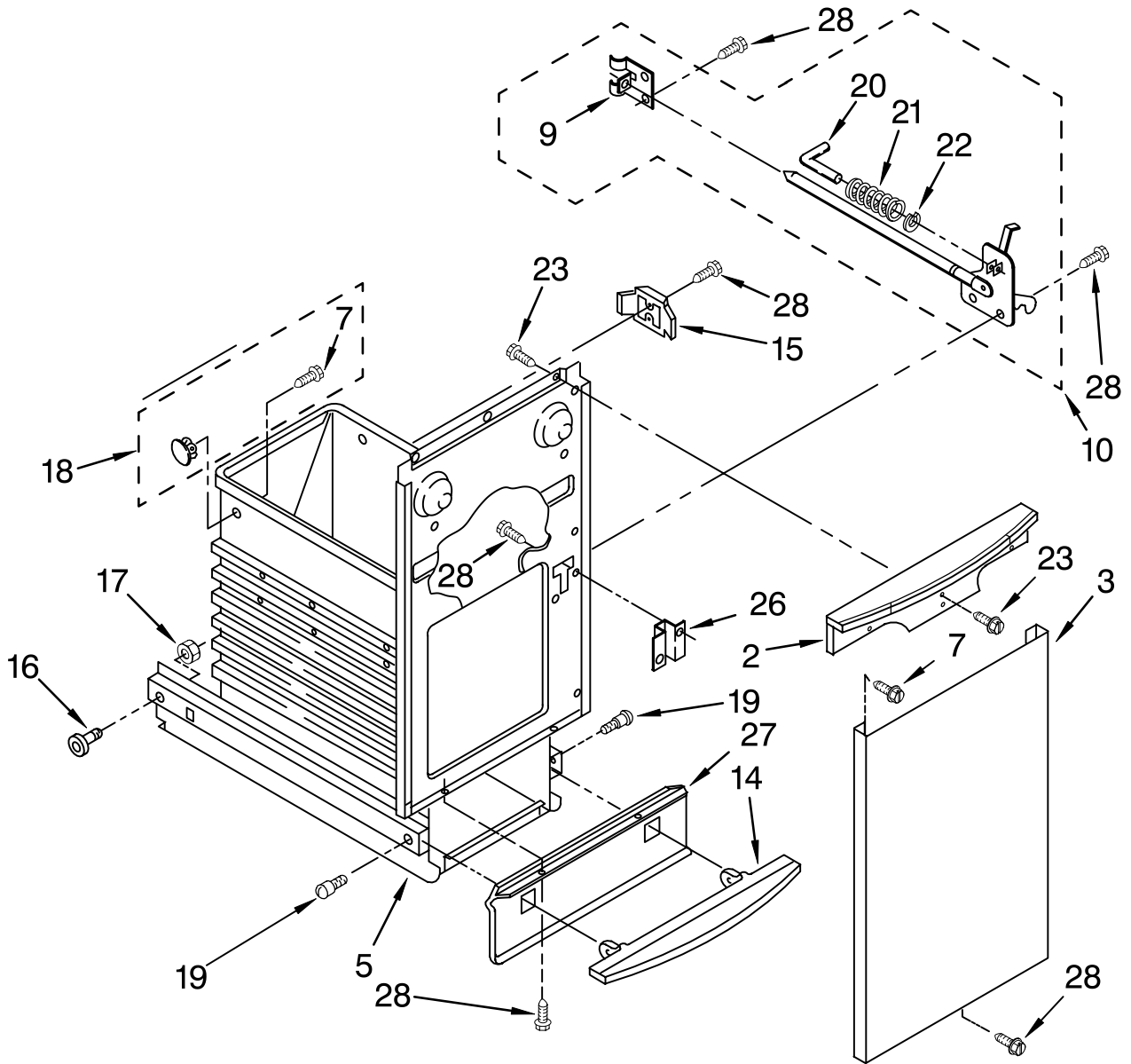
FOR ORDERING INFORMATION REFER TO PARTS PRICE LIST

CONTAINER PARTS

For Models: TU800SPPB0, TU800SPPQ0

(Black)

(White)



FOR ORDERING INFORMATION REFER TO PARTS PRICE LIST

CONTAINER PARTS

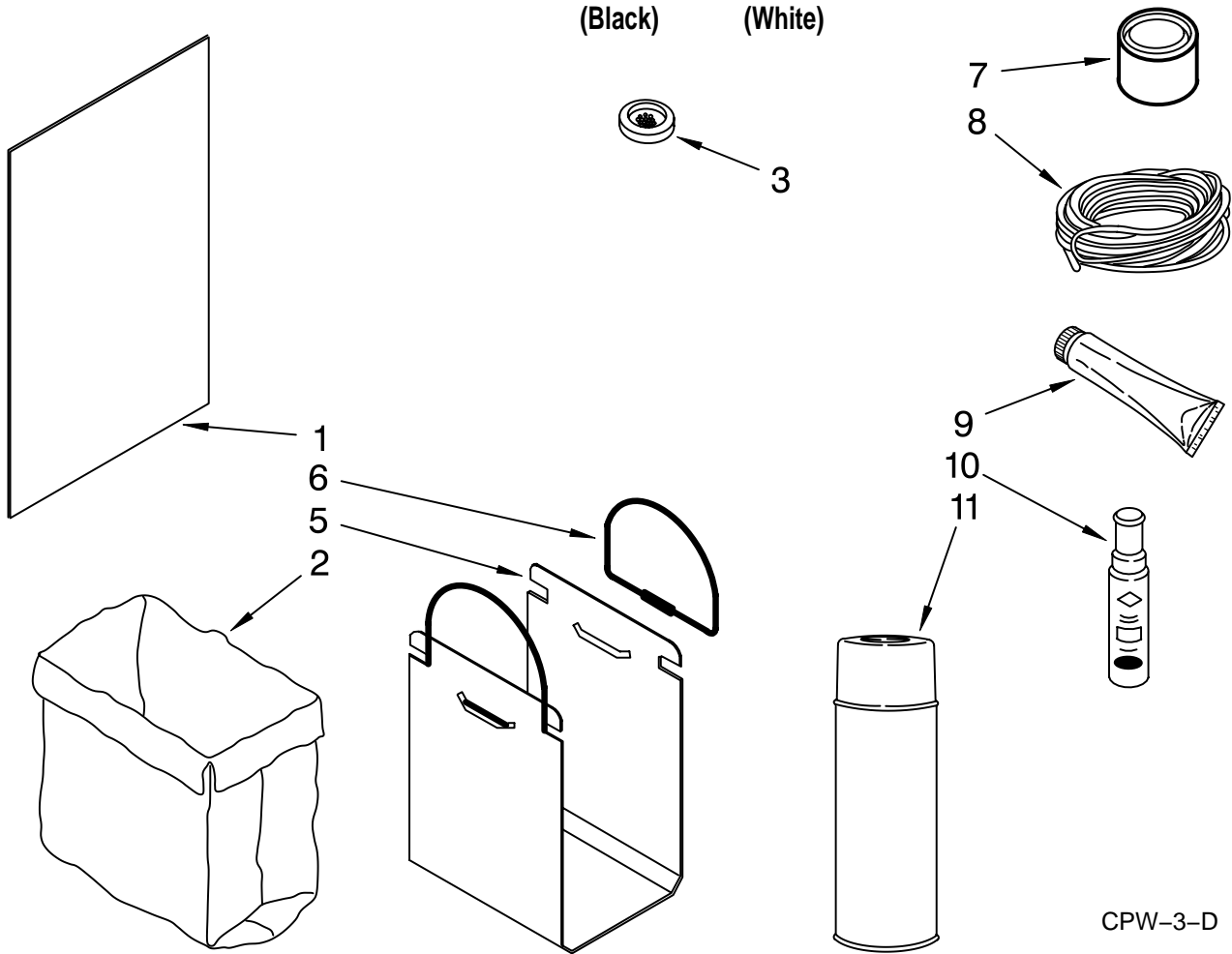
For Models: TU800SPPB0, TU800SPPQ0
(Black) (White)

Illus. No.	Part No.	DESCRIPTION
2		Handle, Container
	9871267	Black
	9871235	White
3		Panel, Container
	9871311	Black
	9871309	White
5	884573	Front Container Assembly
7	3196175	Screw
9	776395	Guide, Rear Latch
10	9870066	Latch Assembly
14		Pedal, Foot
	4149672	Black
	9871031	White
15	9871125	Actuator, Safety Switch
16	9871602	Bearing Roller Container (2)
17	776356	Locknut, 3/8-24 (2)
18	4147703	Retainer, Bag (Contains 4 Each)
19	780263	Screw, Shoulder 8-16 x 7/16 (2)
20	776654	Pin
21	775736	Spring
22	775735	"E" Ring
23	3400888	Screw, 8-18 x 1/2
26	775665	Plate, Latch
27		Guard, Toeplate
	777328	Black
	9871030	White
28	489478	Screw, 8 x 1/2AB

FOR ORDERING INFORMATION REFER TO PARTS PRICE LIST

ACCESSORY PARTS

For Models: TU800SPPB0, TU800SPPQ0
(Black) (White)



Illus. No.	Part No.	DESCRIPTION
The Accessory Parts Listed Below May or May Not Be Included With Your Compactor.		
1		Panel, Container Front
	777762	Almond & Harvest Gold
	777941	Black & White
	675378	Brushed Chrome
	780334	Almond & Black
2		Bag, Trash
	675186	12 Pack
	882652	48 Pack
3	777635	Deodorizer, Solid Stick-Ups (2-Pack)
5	13030	Carrier, Bag (Includes No. 6)

Illus. No.	Part No.	DESCRIPTION
6	777108	Handle, Bag Carrier
7	675351	Grease, 4 Oz. (Use on Power Screw & Ram Pressure Pads)
8		Wire, 25' Roll
	10875	Blue 16 Ga.
	242820	Black 14 Ga.
	242825	Red 14 Ga.
	242826	White 14 Ga.
	47261	Black 12 Ga.
	299885	Red 12 Ga.
	47263	White 12 Ga.
9	279368	Adhesive, Insulation (2oz Tube)

Illus. No.	Part No.	DESCRIPTION
10		Paint, Touch-Up 1/2 Oz.
	72107	Almond
	72109	Avocado
	72032	Black
	72108	Coffee
	72110	Harvest Gold
	72113	Platinum
	72112	Toast
	72017	White
11		Paint, Spray 13 Oz.
	350956	Almond
	261888	Avocado
	285006	Black
	261886	Coffee
	261890	Harvest Gold
	285366	Platinum
	978726	Stanford Brown
	285365	Toast
	350930	White

FOR ORDERING INFORMATION REFER TO PARTS PRICE LIST