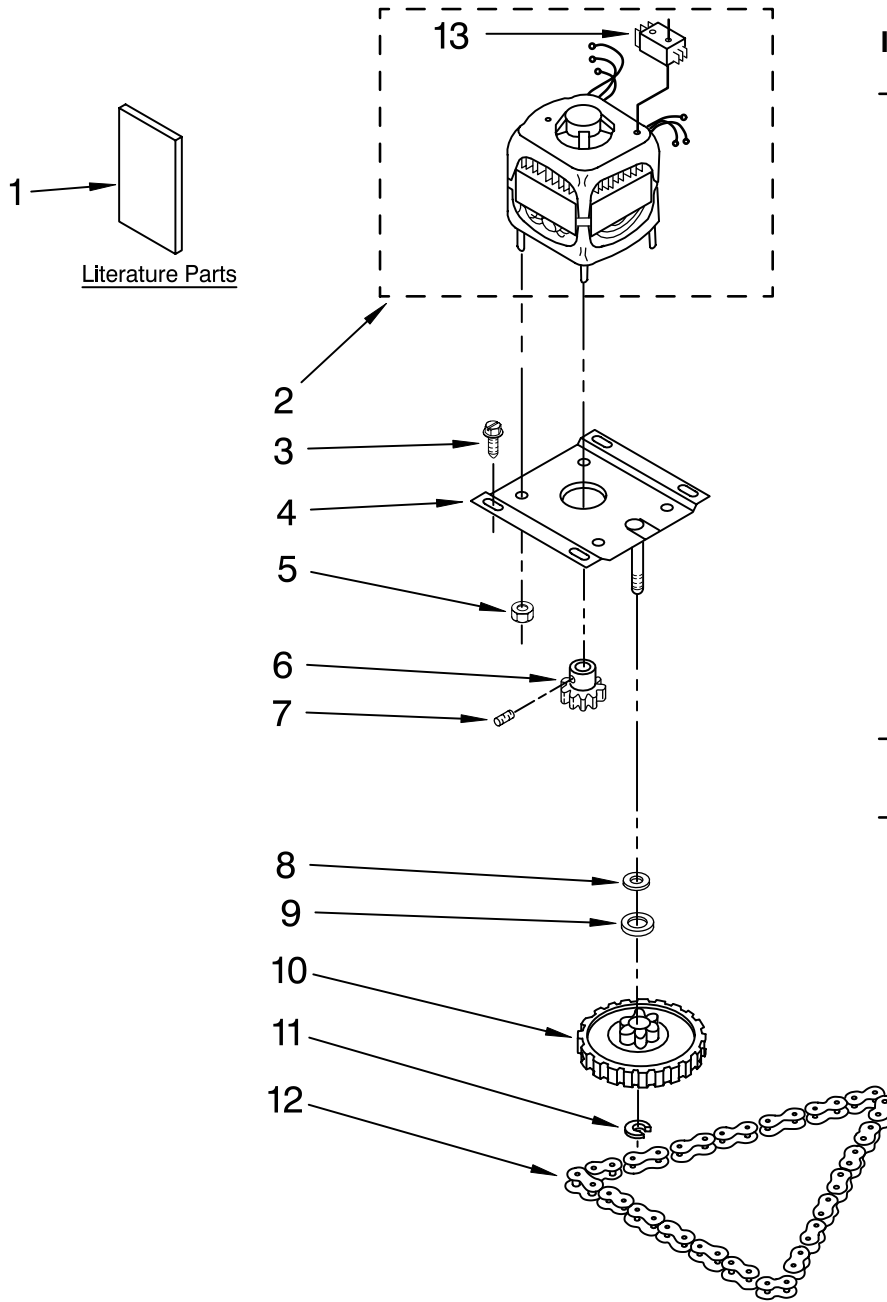




MOTOR AND DRIVE PARTS

For Models: GC900QPPQ1, GC900QPPB1
(White) (Black)

TRASH
COMPACTOR



| Illus. No. | Part No. | DESCRIPTION |
|------------|----------|---------------------------------|
| 1 | | Literature Parts |
| | 9871676 | Use & Care Guide |
| | 9871765 | Tech Sheet |
| | 8052029 | Label, 1-800 Number |
| | 677821 | Do-It-Yourself Manual |
| 2 | 9870343 | Motor, Drive (Includes Item 13) |
| 3 | 9871067 | Screw, |
| 4 | 776327 | Plate, Motor |
| 5 | 776338 | Locknut, 10-32 (4) |
| 6 | 4149667 | Gear, Drive |
| 7 | 454512 | Pin, Slotted Spring |
| 8 | 776035 | Washer, Wave |
| 9 | 297462 | Washer, Thrust |
| 10 | 777124 | Gear, Driven |
| 11 | 776036 | Clip, Ring |
| 12 | 780477 | Chain, Drive |
| 13 | 777971 | Switch, Motor |

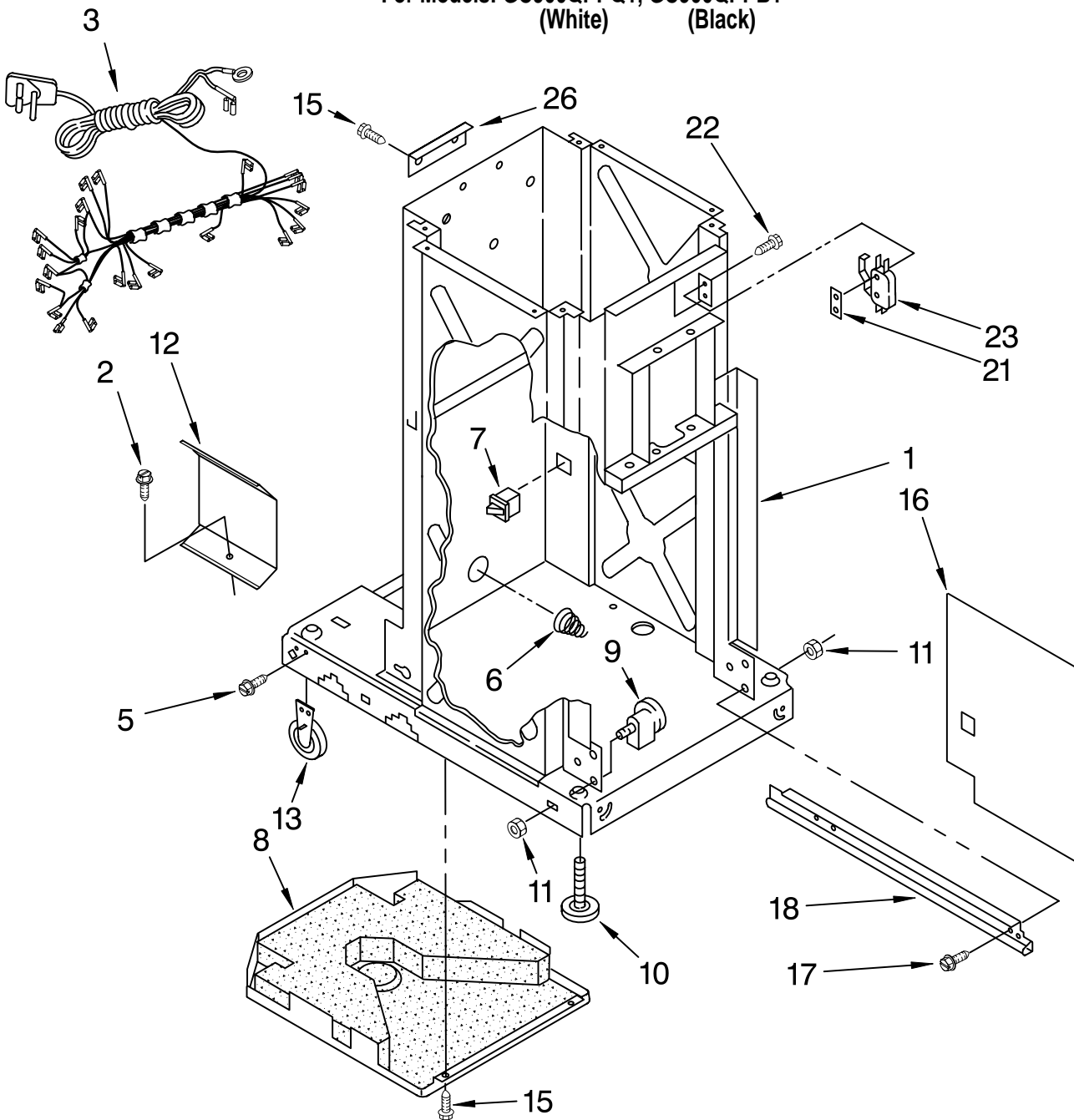
**Parts Not Illustrated and
Optional Parts (Not Included)**

9870118 Undercounter
Conversion Kit

FOR ORDERING INFORMATION REFER TO PARTS PRICE LIST

FRAME PARTS

For Models: GC900QPPQ1, GC900QPPB1
(White) (Black)



| Illus. No. | Part No. | DESCRIPTION |
|------------|----------|--------------------------------|
| 1 | | Frame (Not A Serviceable Part) |
| 2 | 777070 | Screw, 8-32 x 5/16 |
| 3 | 9872114 | Cord, Power |
| 5 | 780034 | Screw, 10-24 x 3/8 |
| 6 | 777180 | Spring, Container |
| 7 | 4149377 | Switch, Drawer Safety |
| 8 | 780437 | Pan, Bottom |

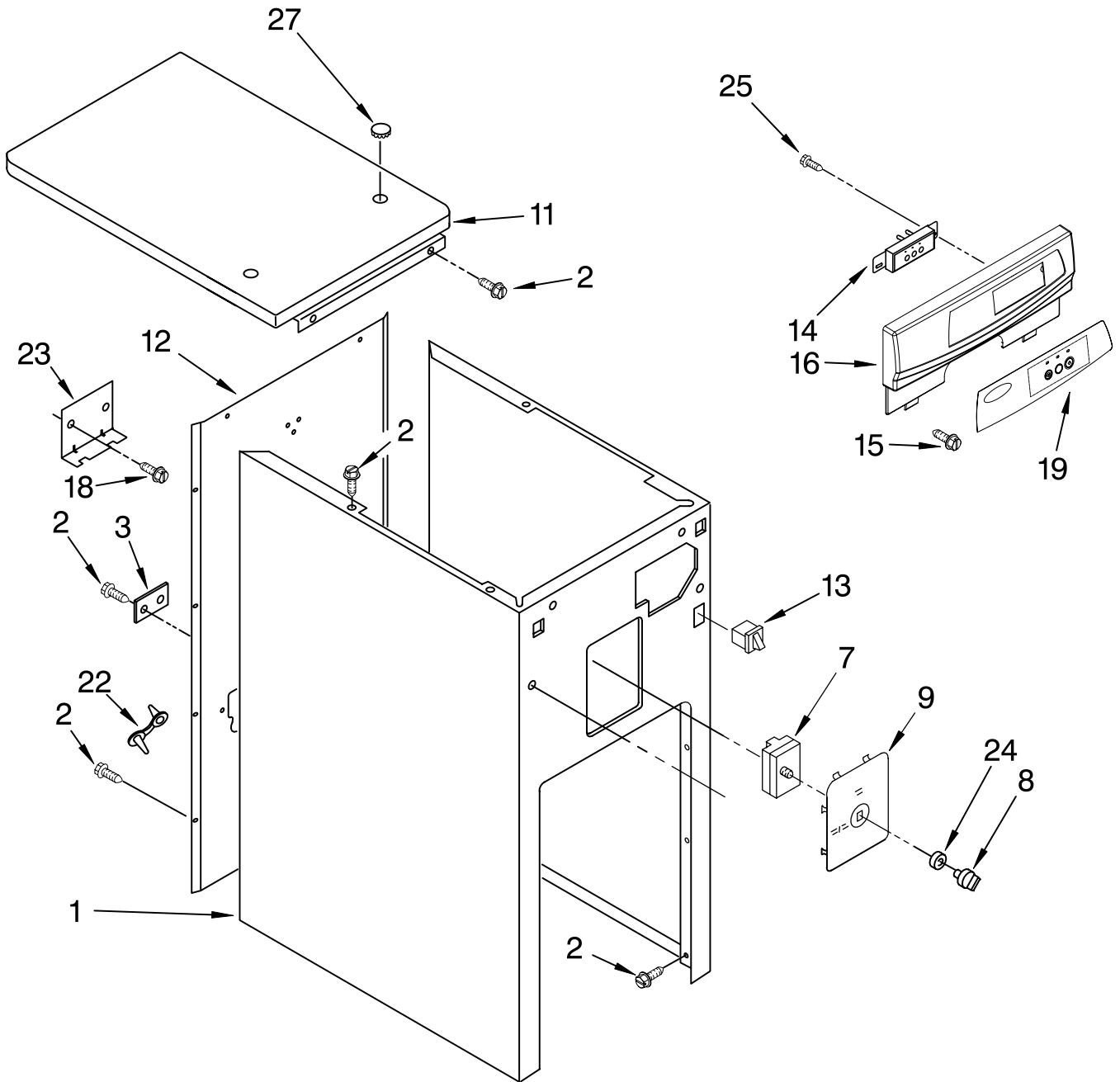
| Illus. No. | Part No. | DESCRIPTION |
|------------|----------|------------------------|
| 9 | 4153788 | Bearing, Roller (2) |
| 10 | 775526 | Bolt, Leveler |
| 11 | 776356 | Locknut, 3/8-24 |
| 12 | 9870867 | Shield, Slide Track(2) |
| 13 | 9870585 | Wheel, Leveler (2) |
| 15 | 489478 | Screw, 8-18 X 1/2 |
| 16 | 9870444 | Panel, Inner |
| 17 | 777458 | Screw, 6-32 x 3/8 |

| Illus. No. | Part No. | DESCRIPTION |
|------------|----------|---------------------------------|
| 18 | 9870976 | Frame, Slide (R.H.) |
| | 9870975 | Frame, Slide (L.H.) |
| 21 | 777850 | Nut, Plate |
| 22 | 777849 | Screw, 6-20 x 1 |
| 23 | 777811 | Switch, Top Limit & Directional |
| 26 | 775668 | Angle-Frame Plate |

FOR ORDERING INFORMATION REFER TO PARTS PRICE LIST

CABINET AND CONTROL PARTS

For Models: GC900QPPQ1, GC900QPPB1
(White) (Black)



FOR ORDERING INFORMATION REFER TO PARTS PRICE LIST

CABINET AND CONTROL PARTS

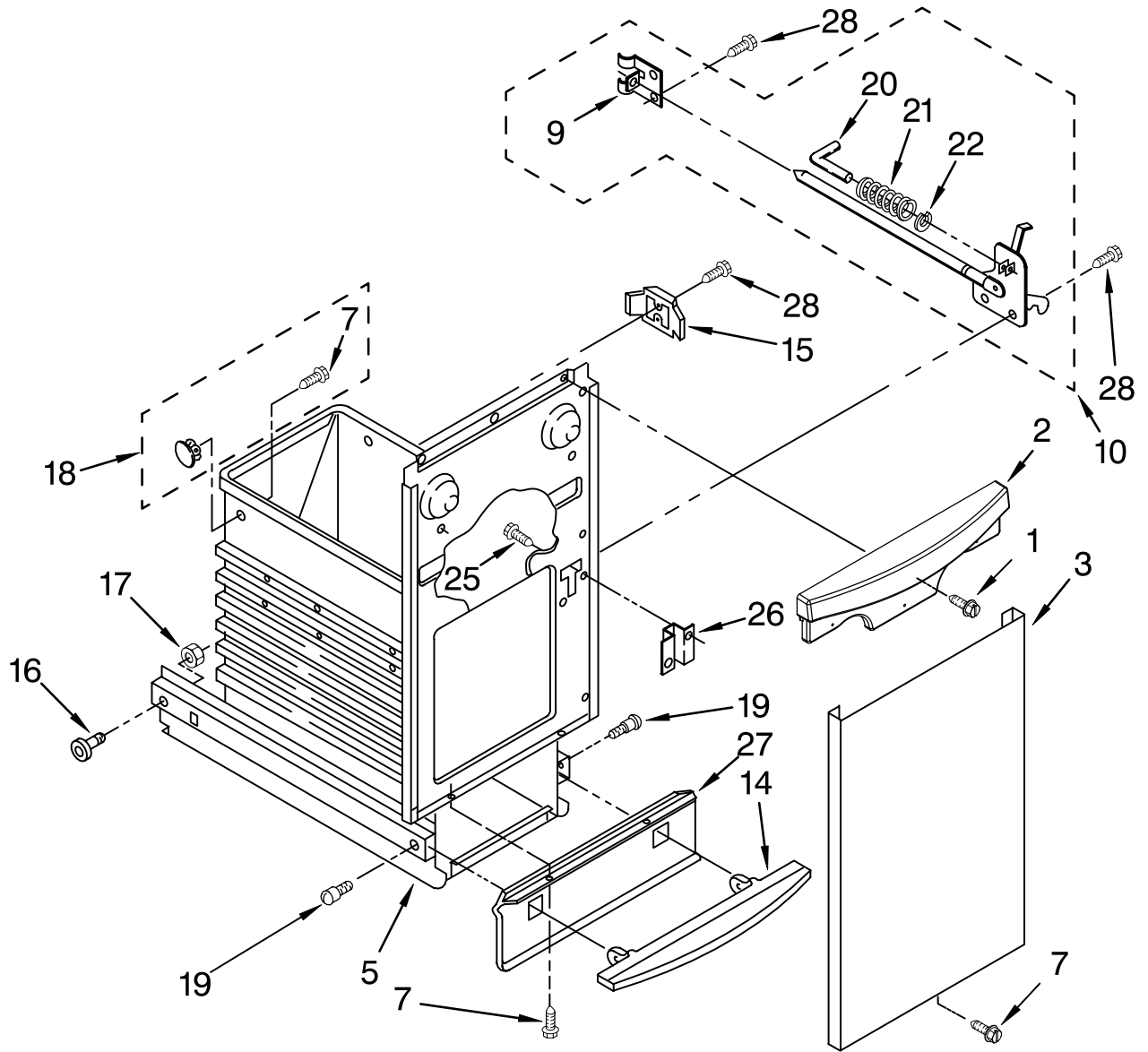
For Models: GC900QPPQ1, GC900QPPB1
(White) (Black)

| Illus. No. | Part No. | DESCRIPTION |
|---------------|-------------|------------------------|
| 1 | 9870913 | Cabinet White |
| | 9870921 | Black |
| 2 | 489478 | Screw 8-18 X 1/2 |
| 3 | 775676 | Plate, Power Cord |
| | 777380 | Switch, Rotary |
| 8 | 4155141 | Knob, Switch |
| 9 | | Plate, Switch |
| | 9870356 | White |
| | 9871161 | Black |
| 11 | | Top, Cabinet |
| | 9870865 | White |
| | 9871008 | Black |
| 12 | 9870863 | Panel, Back |
| 13 | | Switch, Drawer Tilt |
| | 4152058 | White |
| | 9871829 | Black |
| 14 | 9871824 | Assembly, Switch |
| 15 | 246131 | Screw 6-20 X 3/8 |
| 16 | | Escutcheon, Control |
| | 9872039W | White |
| | 9872039B | Black |
| 18 | 777070 | Screw 8-32 x 5/16 |
| 19 | | Insert, Decorative |
| | 9872017W | White |
| | 9872017B | Black |
| 22 | 776119 | Bushing, Power Cord |
| 23 | 9870125 | Bracket, Protector |
| 24 | 777383 | Nut, Switch |
| 25 | 3400888 | Screw, 8-18 x 1/2 |
| 27 | | Plug, Hole |
| | 4151479 | White |
| | 9870905 | Black |

FOR ORDERING INFORMATION REFER TO PARTS PRICE LIST

CONTAINER PARTS

For Models: GC900QPPQ1, GC900QPPB1
(White) (Black)



FOR ORDERING INFORMATION REFER TO PARTS PRICE LIST

CONTAINER PARTS

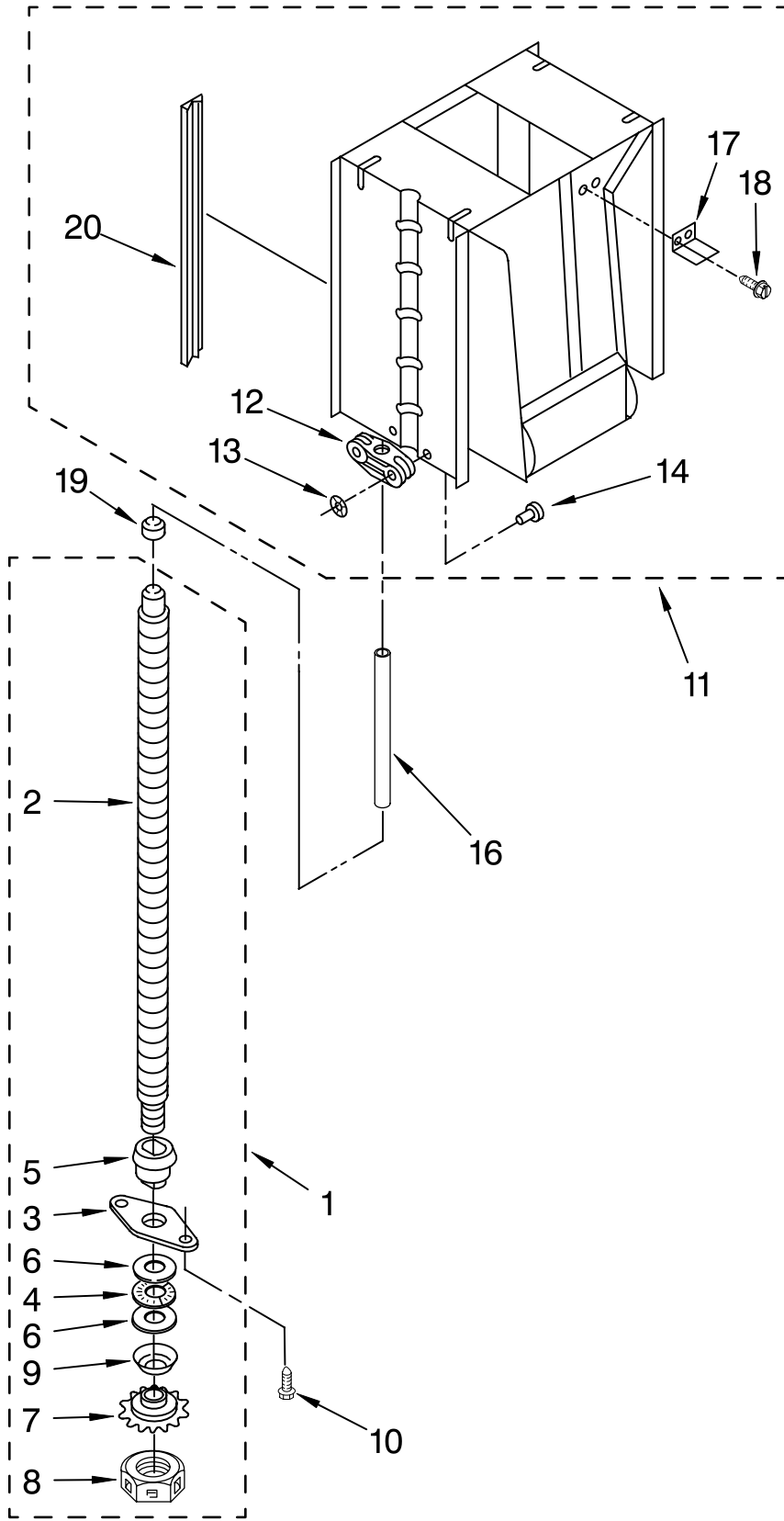
For Models: GC900QPPQ1, GC900QPPB1
(White) (Black)

| Illus. No. | Part No. | DESCRIPTION |
|------------|----------|------------------------------------|
| 1 | 3400888 | Screw, 8-18 x 1/2 |
| 2 | | Handle, Container |
| | 9872040W | White |
| | 9872040B | Black |
| 3 | | Panel, Container Front |
| | 9871309 | White |
| | 9871311 | Black |
| 5 | 884573 | Container Assembly |
| 7 | 3196175 | Screw 8-18 X 1/2 |
| 9 | 776395 | Guide, Rear Latch |
| 10 | 9870066 | Latch Assembly |
| 14 | | Pedal, Foot |
| | 9871031 | White |
| | 4149672 | Black |
| 15 | 9871125 | Actuator, Safety Switch |
| 16 | 9871602 | Bearing Roller Container (2) |
| 17 | 776356 | Locknut, 3/8-24 (2) |
| 18 | 4147703 | Retainer, Bag (Contains 4 Each) |
| 19 | 780263 | Screw, Shoulder 8-16 x 7/16 (2) |
| 20 | 776654 | Pin |
| 21 | 775736 | Spring |
| 22 | 775735 | "E" Ring |
| 25 | 4152204 | Screw 8-18 X 5/16 |
| 26 | 775665 | Plate, Latch |
| 27 | | Guard, Toeplate |
| | 9871030 | White |
| | 777328 | Black |
| 28 | 489478 | Screw 8-18 X 1/2 |

FOR ORDERING INFORMATION REFER TO PARTS PRICE LIST

POWERSCREW AND RAM PARTS

For Models: GC900QPPQ1, GC900QPPB1
(White) (Black)

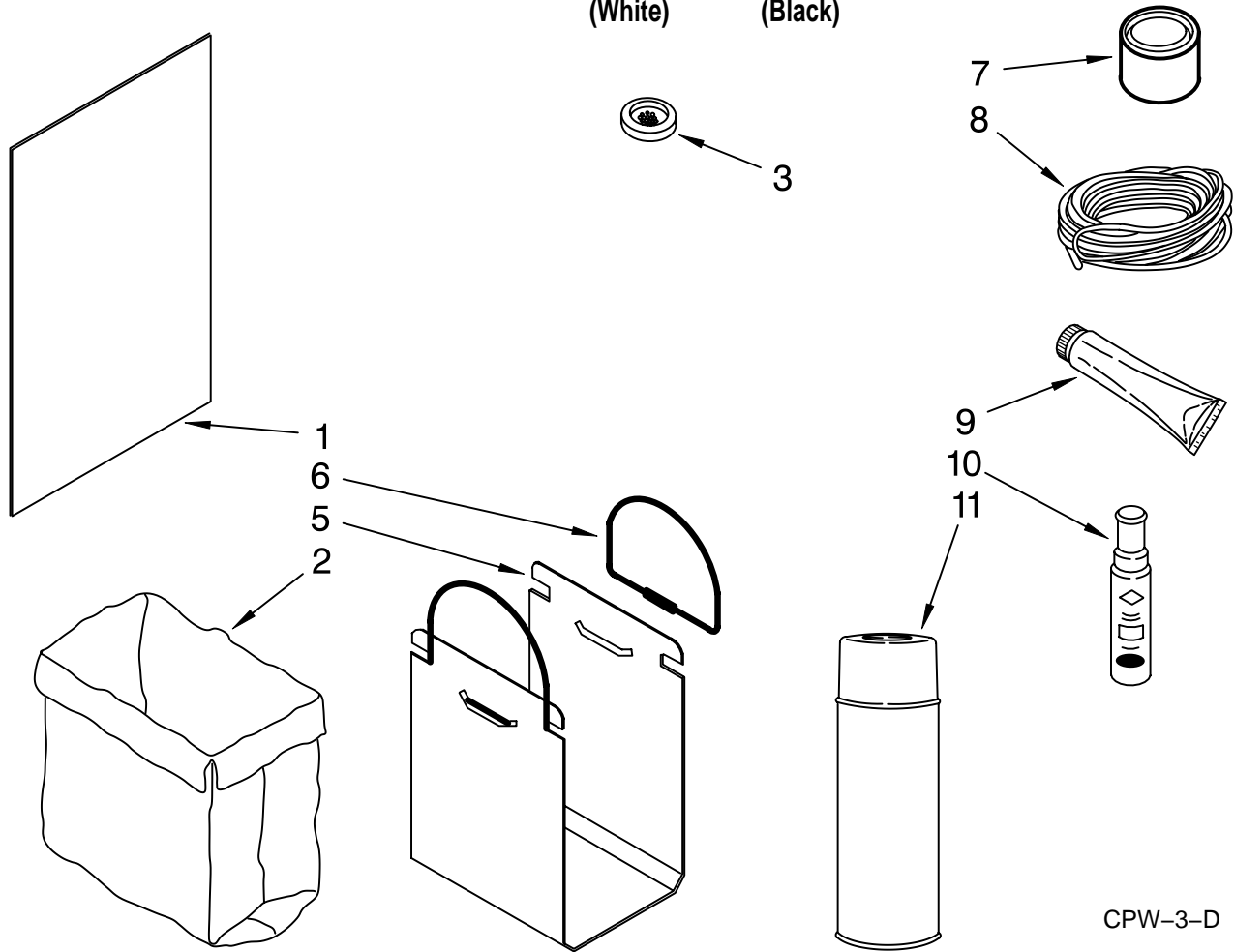


| Illus. No. | Part No. | DESCRIPTION |
|------------|----------|--|
| 1 | 9870500 | Screw, Power Complete Assembly (2) |
| 2 | | Screw, Power (Available Only As Complete Assembly) |
| 3 | 779121 | Plate, Bearing (2) |
| 4 | 775482 | Bearing, Needle (2) |
| 5 | 776941 | Hub, Power Screw (2) |
| 6 | 775481 | Race, Thrust (4) |
| 7 | 777385 | Sprocket, Washer (2) |
| 8 | 4154842 | Nut, Power Screw (2) |
| 9 | 777332 | Washer, Cone (2) |
| 10 | 9871067 | Screw, |
| 11 | 9871251 | Ram Assembly |
| 12 | 9870163 | Nut, Power |
| 13 | 90296 | Clip |
| 14 | 9870187 | Stud |
| 16 | 9870037 | Stop, Ram Powerscrew (2) |
| 17 | 9870498 | Bracket, Top Limit Switch |
| 18 | 489399 | Screw, (2) 8-32 X 5/16 |
| 19 | 9870775 | Cap, Stop |
| 20 | 9870169 | Slide, Ram (4) |

FOR ORDERING INFORMATION REFER TO PARTS PRICE LIST

ACCESSORY PARTS

For Models: GC900QPPQ1, GC900QPPB1
(White) (Black)



| Illus. No. | Part No. | DESCRIPTION |
|--|----------|--------------------------------------|
| The Accessory Parts Listed Below May or May Not Be Included With Your Compactor. | | |
| 1 | 777762 | Panel, Container Front |
| | 777941 | Almond & Harvest Gold |
| | 675378 | Black & White |
| | 780334 | Brushed Chrome |
| 2 | 780334 | Almond & Black Bag, Trash |
| | 675186 | 12 Pack |
| | 882652 | 48 Pack |
| 3 | 777635 | Deodorizer, Solid Stick-Ups (2-Pack) |
| 5 | 13030 | Carrier, Bag (Includes No. 6) |

| Illus. No. | Part No. | DESCRIPTION |
|------------|----------|--|
| 6 | 777108 | Handle, Bag Carrier |
| 7 | 675351 | Grease, 4 Oz. (Use on Power Screw & Ram Pressure Pads) |
| 8 | 10875 | Wire, 25' Roll |
| | 242820 | Blue 16 Ga. |
| | 242825 | Black 14 Ga. |
| | 242826 | Red 14 Ga. |
| | 47261 | White 14 Ga. |
| | 47261 | Black 12 Ga. |
| | 299885 | Red 12 Ga. |
| | 47263 | White 12 Ga. |
| 9 | 279368 | Adhesive, Insulation (2oz Tube) |

| Illus. No. | Part No. | DESCRIPTION |
|------------|----------|-------------------------|
| 10 | | Paint, Touch-Up 1/2 Oz. |
| | 72107 | Almond |
| | 72109 | Avocado |
| | 72032 | Black |
| | 72108 | Coffee |
| | 72110 | Harvest Gold |
| | 72113 | Platinum |
| | 72112 | Toast |
| | 72017 | White |
| 11 | | Paint, Spray 13 Oz. |
| | 350956 | Almond |
| | 261888 | Avocado |
| | 285006 | Black |
| | 261886 | Coffee |
| | 261890 | Harvest Gold |
| | 285366 | Platinum |
| | 978726 | Stanford Brown |
| | 285365 | Toast |
| | 350930 | White |

FOR ORDERING INFORMATION REFER TO PARTS PRICE LIST