



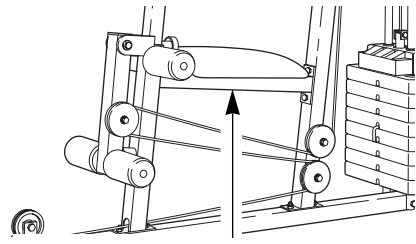
WEIDER PRO

9925

Model No. WESY93190

Serial No. _____

Write the serial number in the space above for future reference.



Serial Number Decal (Under Seat)

QUESTIONS?

As a manufacturer, we are committed to providing complete customer satisfaction. If you have questions, or if there are missing or damaged parts, we will guarantee complete satisfaction through direct assistance from our factory.

TO AVOID UNNECESSARY DELAYS, PLEASE CALL DIRECT TO OUR TOLL-FREE CUSTOMER HOT LINE. The trained technicians on our customer hot line will provide immediate assistance, free of charge to you.

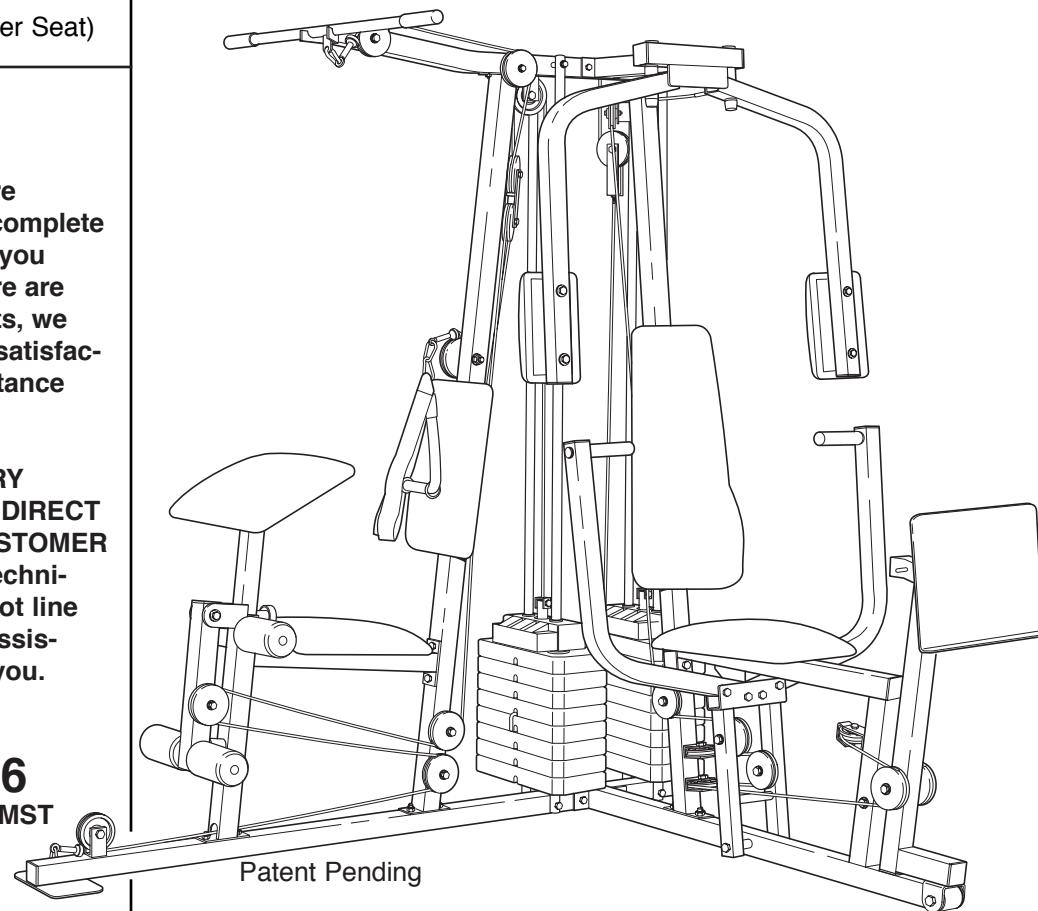
CUSTOMER HOT LINE:

1-800-999-3756

Mon.–Fri., 6 a.m.–6 p.m. MST

CAUTION

Read all precautions and instructions in this manual before using this equipment. Save this manual for future reference.



USER'S MANUAL

Visit our website at: www.weiderfitness.com

Table of Contents

IMPORTANT PRECAUTIONS2
BEFORE YOU BEGIN3
ASSEMBLY4
HOW TO USE THE HOME GYM SYSTEM22
WEIGHT RESISTANCE CHART24
TROUBLE-SHOOTING AND MAINTENANCE25
CABLE DIAGRAMS26
ORDERING REPLACEMENT PARTS	Back Cover
LIMITED WARRANTY	Back Cover

Note: A PART IDENTIFICATION CHART and a PART LIST/EXPLODED DRAWING are attached in the center of this manual. Remove the PART IDENTIFICATION CHART and the PART LIST/EXPLODED DRAWING before beginning assembly.

Important Precautions

WARNING: To reduce the risk of serious injury, read the following important precautions before using the home gym system.

1. It is the responsibility of the owner to ensure that all users of the home gym system are adequately informed of all precautions.
2. Read all instructions in this manual and in the accompanying literature before using the home gym system.
3. Use the home gym system only on a level surface. Place a mat beneath the home gym system to protect the floor or carpet.
4. Inspect and tighten all parts often. Replace any worn parts immediately.
5. Keep children under the age of 12 and pets away from the home gym system at all times.
6. Never release the press arm, butterfly arms, leg lever, leg press plate, lat bar, ab strap, or nylon strap while weights are raised. The weights will fall with great force.
7. Keep hands and feet away from moving parts.
8. Always wear athletic shoes for foot protection.
9. Always stand on the foot plate when performing an exercise that could cause the home gym system to tip.
10. When using the leg press station, always be sure that the lock pin is fully inserted and that the lock pin is clipped in place on the adjustment tube (see page 23).
11. Make sure that the cables remain on the pulleys at all times. If the cables bind while you are exercising, stop immediately and make sure that the cables are on all of the pulleys.
12. Always disconnect the lat bar from the home gym system when performing an exercise that does not use the lat bar.
13. If you feel pain or dizziness at any time while exercising, stop immediately and begin cooling down.
14. The home gym system is intended for home use only. do not use the home gym system in any commercial, rental or institutional setting.

WARNING: Before beginning this or any exercise program, consult your physician. This is especially important for persons over the age of 35 or persons with pre-existing health problems. Read all instructions before using. ICON assumes no responsibility for personal injury or property damage sustained by or through the use of this product.

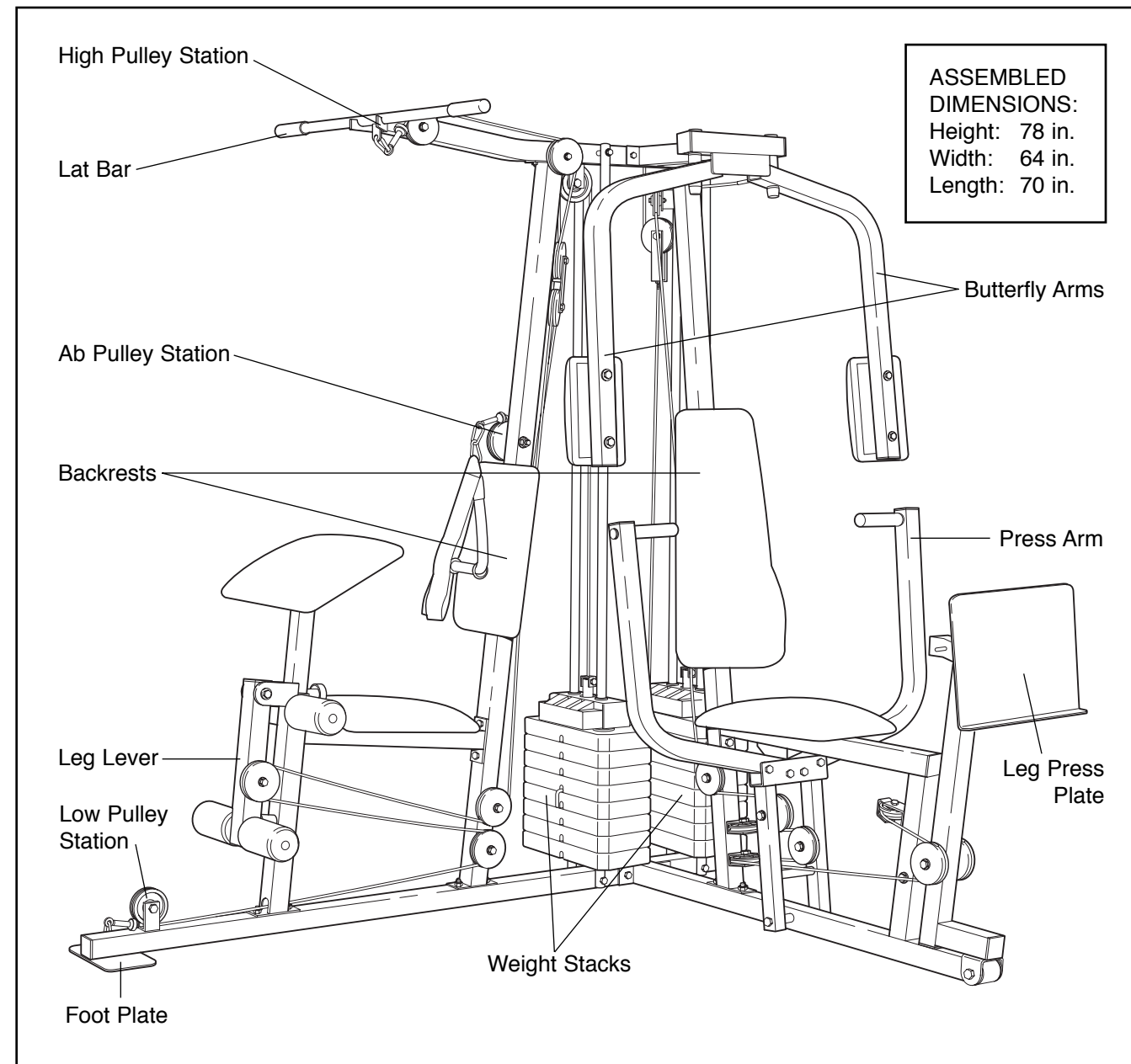
Before You Begin

Thank you for selecting the versatile WEIDER® PRO 9925 Training System. The WEIDER® 9925 offers a selection of weight stations designed to develop every major muscle group of the body. Whether your goal is to tone your body, build dramatic muscle size and strength, or improve your cardiovascular system, the WEIDER® 9925 will help you to achieve the specific results you want.

For your benefit, read this manual carefully before using the WEIDER® 9925 Training System. If you have additional questions, please call our Customer

Service Department toll-free at 1-800-999-3756, Monday through Friday, 6 a.m. until 6 p.m. Mountain Time (excluding holidays). To help us assist you, please note the product model number and serial number before calling. The model number is WESY93190. The serial number can be found on a decal attached to the WEIDER® 9925 (see the front cover of this manual).

Before reading further, please review the drawing below and familiarize yourself with the parts that are labeled.



Assembly

Note: This introduction will save you more time than it takes to read it!

Making Things Easier for Yourself

Everything in this manual is designed to ensure that the assembly of our products can be completed successfully by anyone. However, it is important to recognize that your new equipment is a sophisticated product with many small parts. The assembly process will take time—possibly several hours. Most people find that by setting aside plenty of time, and by deciding to make the task enjoyable, assembly will go smoothly. You may want to complete the process over a couple of evenings.

Giving Yourself a Good Start

Before you begin the assembly process itself, take the time to complete the steps outlined here.

Clearing the Workspace

Clear a workspace that is large enough to hold all parts and allow you to walk all the way around the assembled equipment.

Unpacking the Box

To make the assembly process as smooth as possible, we have broken it into separate stages. All parts used in each stage are found in individual packages in the shipping box. Place all parts in a cleared area and remove the packing materials. Do not dispose of the packing materials until assembly is completed.

Important: Wait until you begin each assembly stage to open the parts bag labeled for that assembly stage.

Identifying Parts

To help you identify the small parts used in assembly, we have included a PART IDENTIFICATION CHART located in the center of this manual. Place the chart on the floor or work table and use it to quickly identify different parts as you open the packages for each step.

Note: Some small parts may have been pre-attached for shipping. If a part is not in the parts bag, check to see if it has been pre-attached.

Orienting Parts





As you assemble this product, be sure that all parts are oriented as shown in the drawings.

Tightening of Parts

Tighten all parts as you assemble them, unless instructed to do otherwise.

Lining Up the Tools

Assembly requires the following tools (not included):

- Two (2) adjustable wrenches 
- One (1) standard screwdriver 
- One (1) phillips screwdriver 
- One (1) rubber mallet 
- Lubricant, such as grease or petroleum jelly, and soapy water
- Tape, such as clear tape or masking tape

Assembly will be more convenient if you have a socket set, a set of open-end or closed-end wrenches or a set of ratchet wrenches. **Some assembly steps require two people.**

The Four Stages of the Assembly Process

Frame Assembly

You will begin by assembling the base and the upright frames that serve as the skeleton of the equipment. The seat and all moving parts will later be attached to the frame.

Arm Assembly

Completes the press and butterfly arms that you operate while you are exercising.

Cable Assembly

Completes the cables and pulleys that connect the moving arms with each other and with the weights. This ties the different parts together and makes the equipment function as a unit.

Seat Assembly

Completes the seat and backrest that support your body while you are exercising.

FRAME ASSEMBLY

1. Before beginning assembly, be sure that you have read and understand the information in the box above.

Locate and open the parts bags labeled "FRAME ASSEMBLY BAG ONE" and "FRAME ASSEMBLY BAG TWO."

Press two 2" Square Outer Caps (58) onto the indicated ends of the Weight Base (14). Press a 2" Square Inner Cap (56) into the end of the Weight Base.

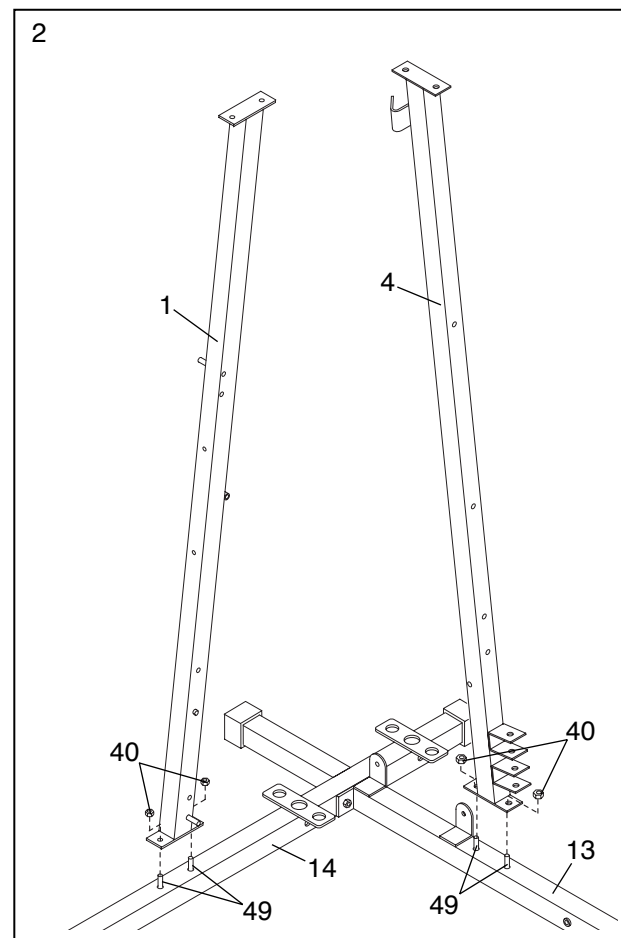
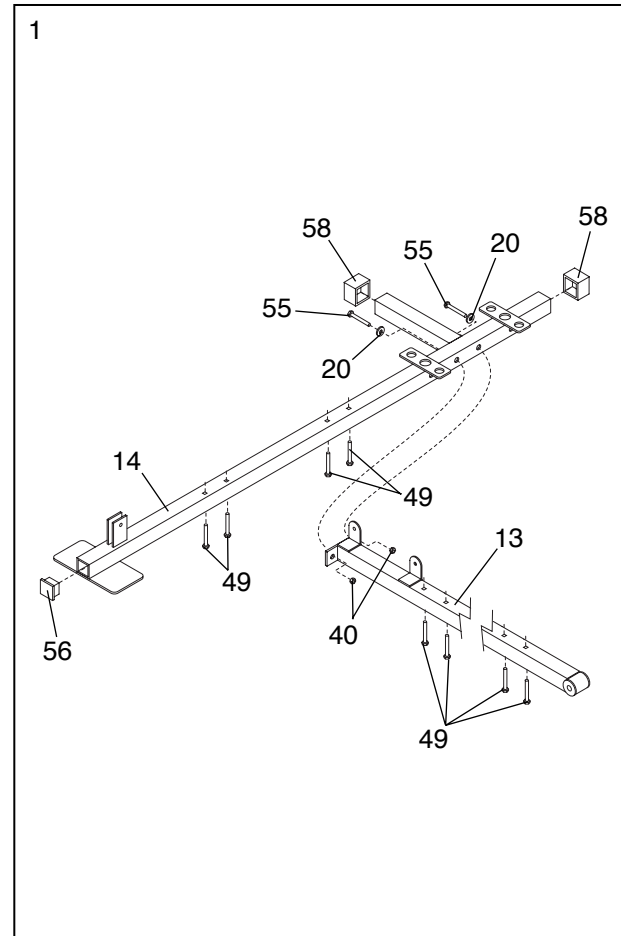
Insert four 5/16" x 2 1/2" Carriage Bolts (49) up through the Weight Base (14).

Insert four 5/16" x 2 1/2" Carriage Bolts (49) up through the Press Base (13).

Attach the Press Base (13) to the Weight Base (14) with two 5/16" x 2 3/4" Bolts (55), two 5/16" Washers (20) and two 5/16" Nylon Locknuts (40). **Do not tighten the Nylon Locknuts yet.**

2. Slide the Ab Upright (1) onto the indicated 5/16" x 2 1/2" Carriage Bolts (49) in the Weight Base (14). Hand tighten two 5/16" Nylon Locknuts (40) onto the Carriage Bolts. **Do not tighten the Nylon Locknuts yet.**

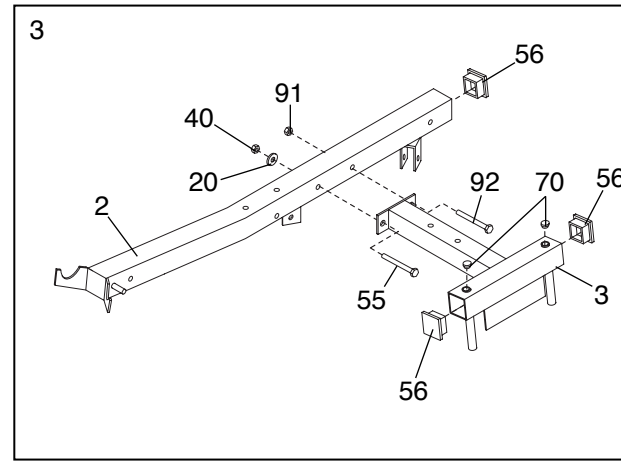
Slide the Leg Press Upright (4) onto the indicated 5/16" x 2 1/2" Carriage Bolts (49) in the Press Base (13). Hand tighten two 5/16" Nylon Locknuts (40) onto the Carriage Bolts. **Do not tighten the Nylon Locknuts yet.**



- Press a 2" Square Inner Cap (56) into the open end of the Top Frame (2). Press a 2" Square Inner Cap (56) into each side of the Butterfly Frame (3). Press two 1" Round Inner Caps (70) into the top of the Butterfly Frame.

Attach the Butterfly Frame (3) to the Top Frame (2) with a 5/16" x 3" Bolt (92). **Make sure the Bolt is on the side shown.**

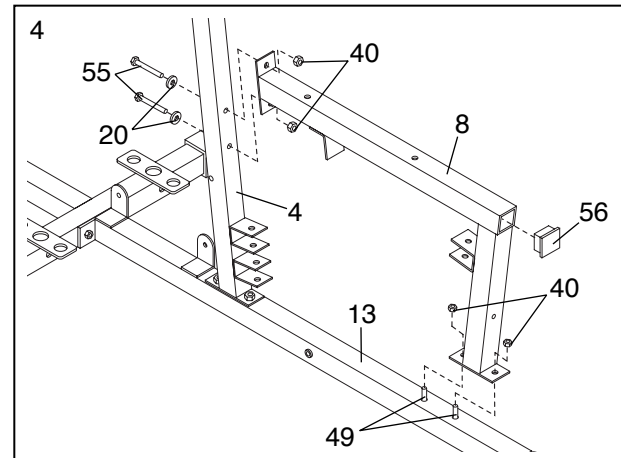
Finish attaching the Butterfly Frame (3) to the Top Frame (2) with a 5/16" Nylon Jam Nut (91), a 5/16" x 2 3/4" Bolt (55), a 5/16" Washer (20) and a 5/16" Nylon Locknut (40).



- Slide the Front Seat Frame (8) onto the indicated 5/16" x 2 1/2" Carriage Bolts (49) in the Press Base (13). Hand tighten two 5/16" Nylon Locknuts (40) onto the Carriage Bolts.

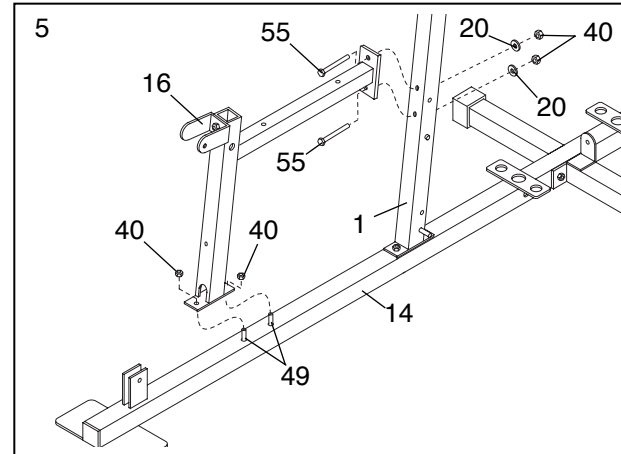
Attach the other end of the Front Seat Frame (8) to the Leg Press Upright (4) with two 5/16" x 2 3/4" Bolts (55), two 5/16" Washers (20) and two 5/16" Nylon Locknuts (40).

Press a 2" Square Inner Cap (56) into the Front Seat Frame (8).



- Place the Rear Seat Frame (16) onto the indicated 5/16" x 2 1/2" Carriage Bolts (49) in the Weight Base (14). Hand tighten two 5/16" Nylon Locknuts (40) onto the Carriage Bolts.

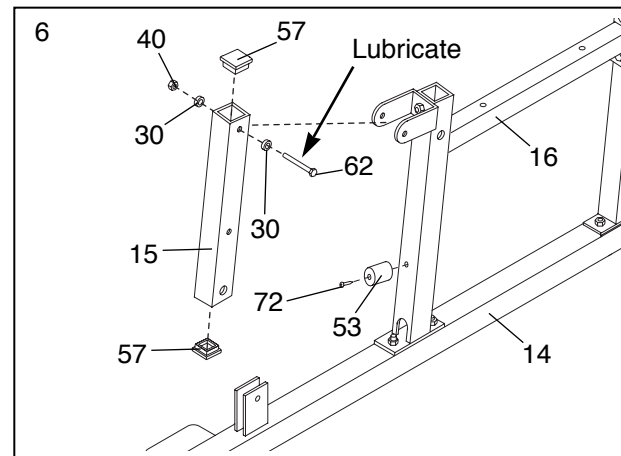
Attach the Rear Seat Frame (16) to the Ab Upright (1) with two 5/16" x 2 3/4" Bolts (55), two 5/16" Washers (20) and two 5/16" Nylon Locknuts (40).



- Press a 1 1/2" Square Inner Cap (57) into each end of the Leg Lever (15).

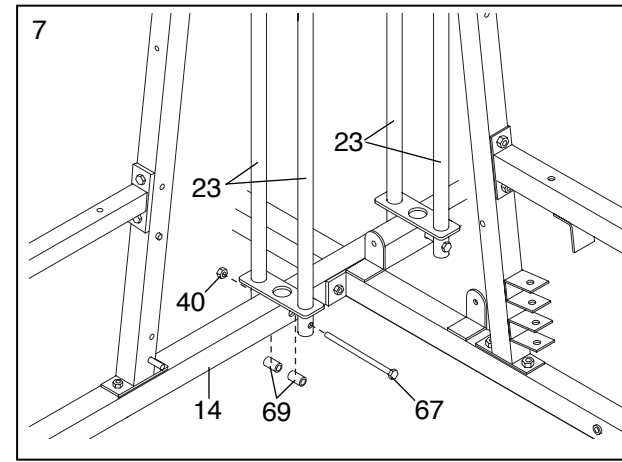
Attach a Leg Press Bumper (53) to the indicated hole in the Rear Seat Frame (16) with a 1" Tap Screw (72).

Lubricate a 5/16" x 2 1/4" Bolt (62). Attach the Leg Lever (15) to the bracket on the Rear Seat Frame (16) with the Bolt, two Leg Lever Spacers (30) and a 5/16" Nylon Locknut (40).



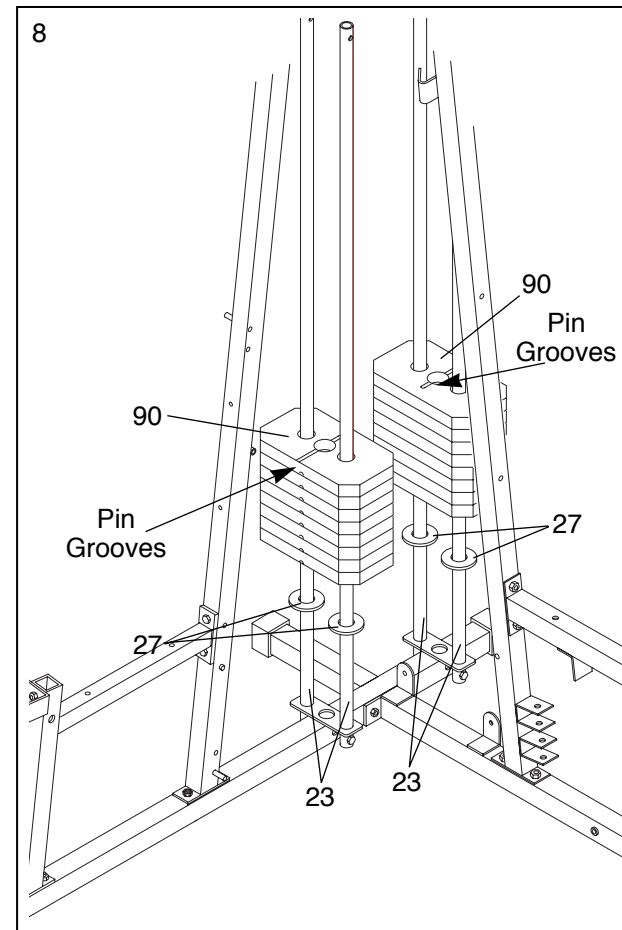
7. Insert two Weight Guides (23) into one of the brackets on the Weight Base (14). Attach the lower ends of the Weight Guides with a 5/16" x 6" Bolt (67), two 1/2" x 3/4" Spacers (69), and a 5/16" Nylon Locknut (40). **Do not overtighten the Nylon Locknut.**

Attach the other Weight Guides (23) in the same manner.



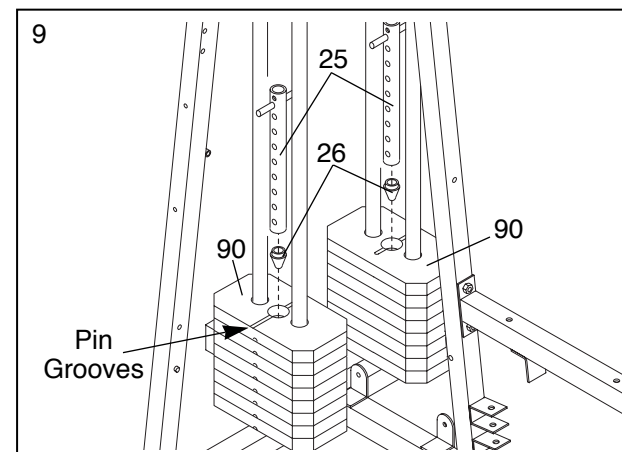
8. Slide a Weight Bumper (27) onto each of the Weight Guides (23).

Slide eight Weights (90) onto each set of Weight Guides (23). **Make sure the pin grooves are on the indicated side of each stack of Weights.**

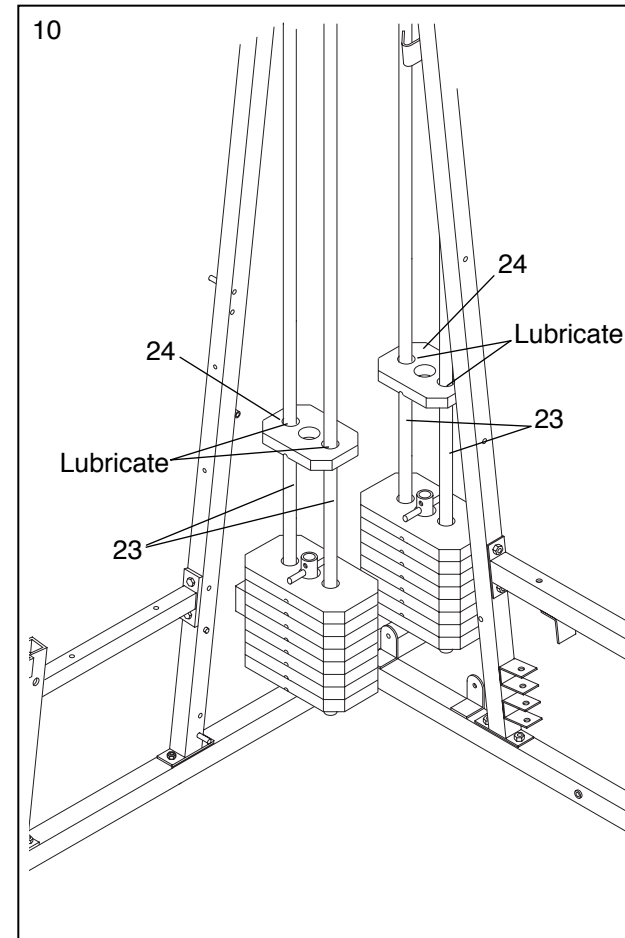


9. Press a Weight Tube Bumper (26) into each Weight Tube (25).

Insert a Weight Tube (25) into each stack of Weights (90). **Make sure the pins on the Weight Tubes are in the pin grooves in the upper Weights.**

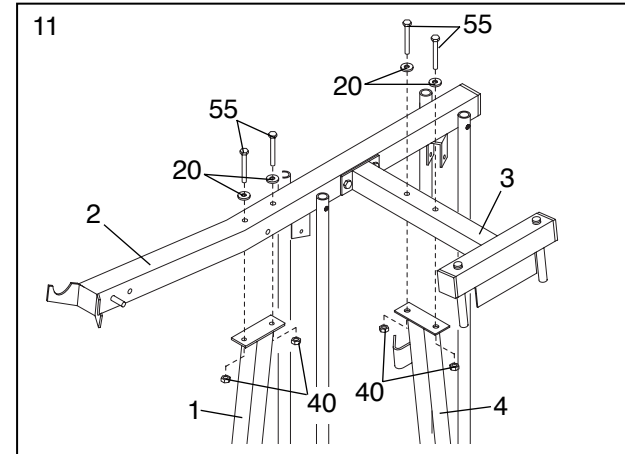


10. Lubricate the insides of the holes in the Top Weights (24) as shown. Slide a Top Weight onto each set of Weight Guides (23).



11. Attach the Top Frame (2) to the Ab Upright (1) with two 5/16" x 2 3/4" Bolts (55), two 5/16" Washers (20) and two 5/16" Nylon Locknuts (40). **Do not tighten the Nylon Locknuts yet.**

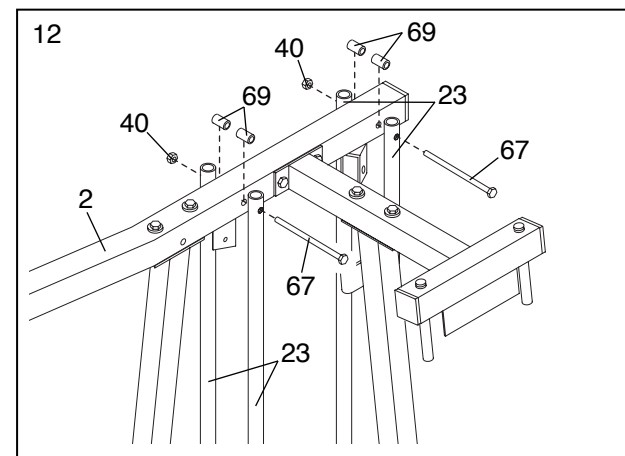
Attach the Butterfly Frame (3) to the Leg Press Upright (4) with two 5/16" x 2 3/4" Bolts (55), two 5/16" Washers (20), and two 5/16" Nylon Locknuts (40). **Do not tighten the Nylon Locknuts yet.**



12. Attach the upper ends of one set of Weight Guides (23) to the Top Frame (2) with a 5/16" x 6" Bolt (67), two 1/2" x 3/4" Spacers (69) and a 5/16" Nylon Locknut (40).

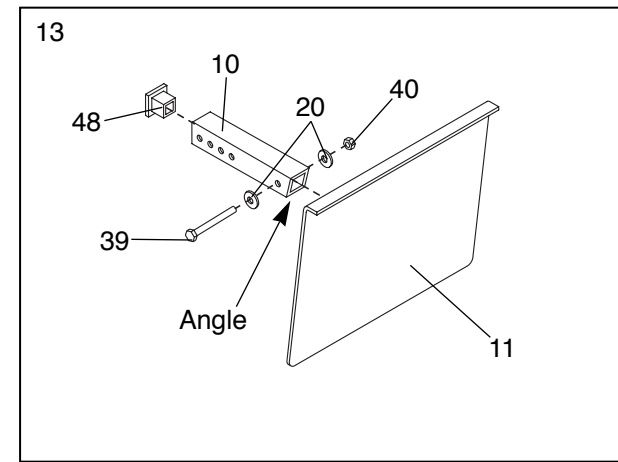
Attach the upper ends of the other set of Weight Guides (23) in the same manner.

Before continuing, firmly tighten all nylon locknuts used in steps 1 through 12.



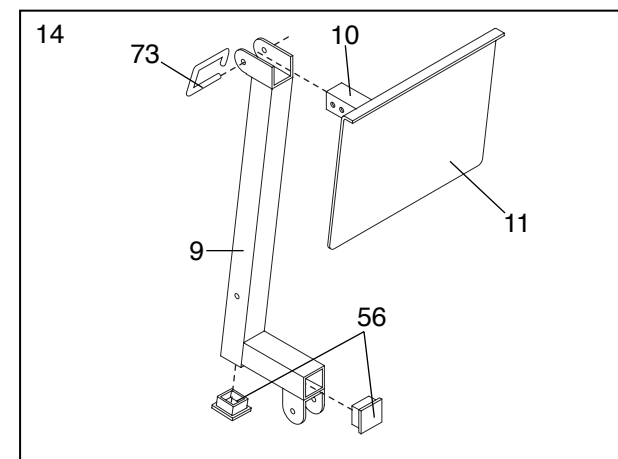
13. Attach the Leg Press Plate (11) to the Adjustment Tube (10) with a 5/16" x 2 1/2" Bolt (39), two 5/16" Washers (20) and a 5/16" Nylon Locknut (40). **Make sure the Leg Press Plate and Adjustment Tube are oriented as shown.**

Press a 1 3/4" Square Inner Cap (48) into the Adjustment Tube (10).



14. Attach the Adjustment Tube (10) to the Leg Press Arm (9) with the Lock Pin (73). **Make sure the Leg Press Plate (11) is oriented as shown.**

Press two 2" Square Inner Caps (56) into the open ends of the Leg Press Arm (9).

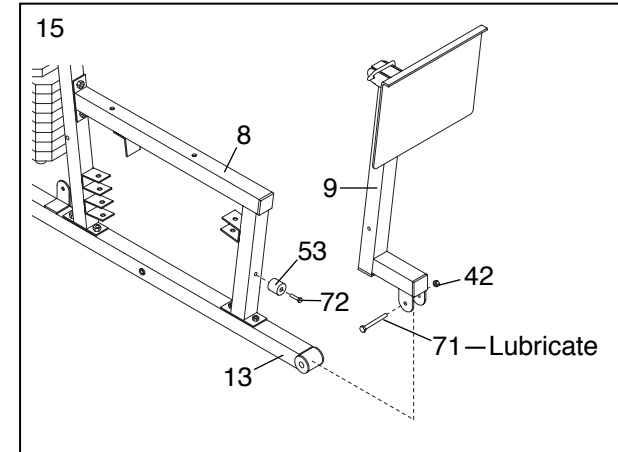


ARM ASSEMBLY

15. **Locate and open the parts bag labeled "ARM ASSEMBLY."**

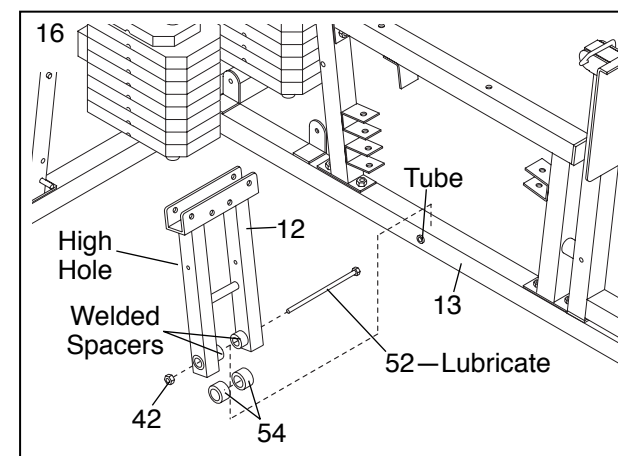
Attach the Leg Press Bumper (53) to the Front Seat Frame (8) with the 1" Tap Screw (72).

Lubricate the 3/8" x 3 1/4" Bolt (71). Attach the Leg Press Arm (9) to the Press Base (13) with the Bolt and a 3/8" Nylon Locknut (42).



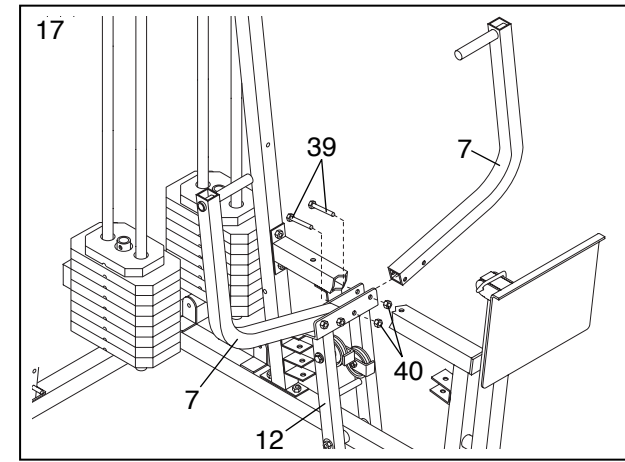
16. Press a 1" x 7/8" Plastic Bushing (54) onto each welded spacer on the Press Frame (12). Slide the Press Frame onto the Press Base (13) so that the Plastic Bushings are aligned with the indicated tube. **Note: This will be a tight fit. Make sure that the high hole is on the side shown.**

Lubricate the 3/8" x 8" Bolt (52). Attach the Press Frame (12) to the Press Base (13) with the Bolt and a 3/8" Nylon Locknut (42).



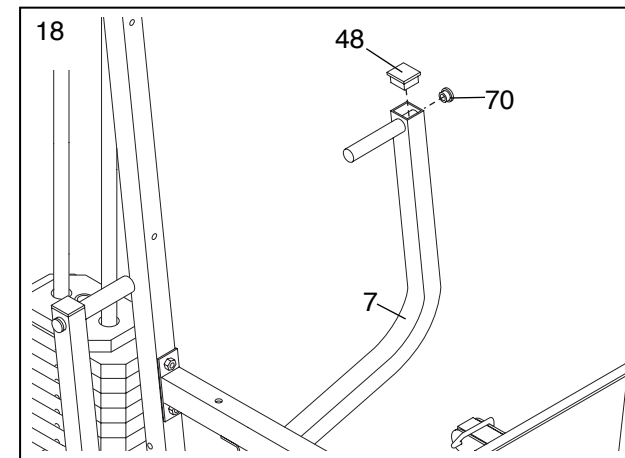
17. Attach a Press Arm (7) to one side of the Press Frame (12) with two 5/16" x 2 1/2" Bolts (39) and two 5/16" Nylon Locknuts (40).

Attach the other Press Arm (7) to the Press Frame (12) in the same manner.



18. Press a 1" Round Inner Cap (70) into the indicated end of one Press Arm (7). Press a 1 3/4" Square Inner Cap (48) into the Press Arm.

Repeat this step for the other Press Arm (not shown).



19. Lubricate both axles on the Butterfly Frame (3).

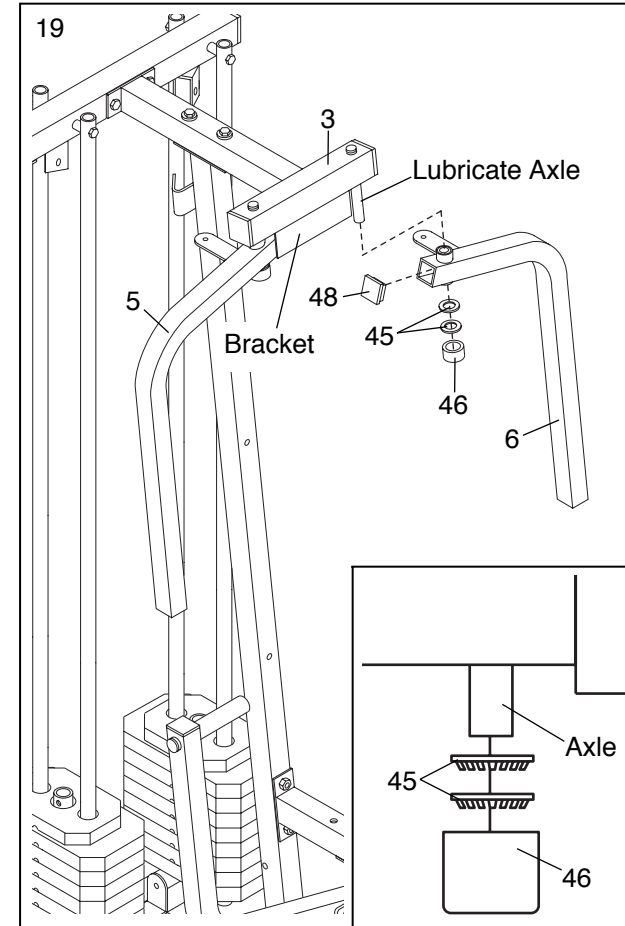
Refer to the drawing and identify the Right Arm (5) and the Left Arm (6).

Press a 1 3/4" Square Inner Cap (48) into the upper end of the Left Arm (6). Slide the Left Arm onto the indicated axle. **Note: Be careful not to confuse the Left Arm with the Right Arm (5). Be sure that the upper end of the Left Arm is behind the indicated bracket on the Butterfly Frame (3).**

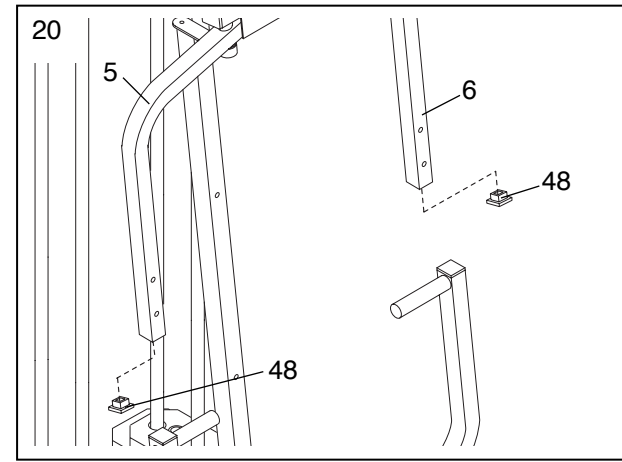
IMPORTANT NOTE: Before assembling the 1" Retainers (45) used in this step, be sure that you thoroughly understand the step. The Retainers can be assembled only once. If they must be removed, you will need to order new Retainers.

Tap two 1" Retainers (45) and a 1" Round Outer Cap (46) onto the axle. **Be sure that the teeth on the Retainers bend toward the Round Outer Cap, as shown in the inset drawing.**

Attach the Right Arm (5) in the same manner.



20. Press a 1 3/4" Square Inner Cap (48) into the lower end of the Left Arm (6) and the Right Arm (5).

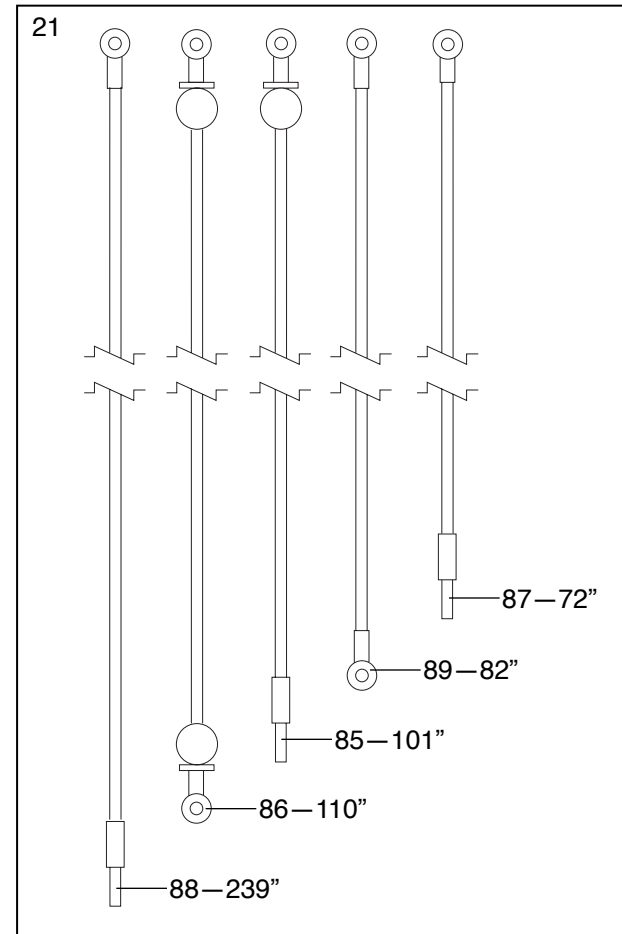


CABLE ASSEMBLY

21. Locate and open the parts bags labeled "CABLE ASSEMBLY" and "PULLEYS."

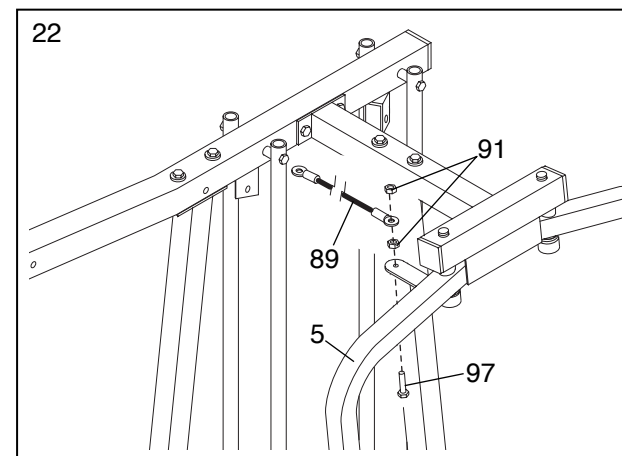
During steps 19 through 50, refer to the CABLE DIAGRAMS on pages 26 and 27 of this manual to verify proper cable routing. Before beginning this section, fully unwind the five Cables and identify the Cables by comparing the lengths and the ends. The approximate length of each Cable, in inches, is listed after the key number in the drawing.

IMPORTANT: While assembling the cables, do not overtighten the bolts and nuts attaching the pulleys. The pulleys must be able to turn freely.

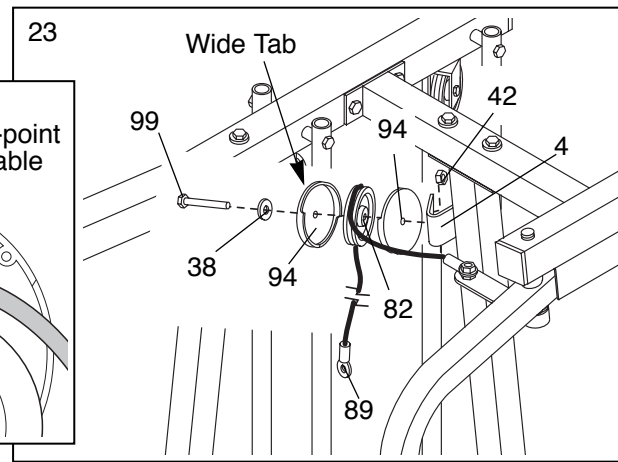
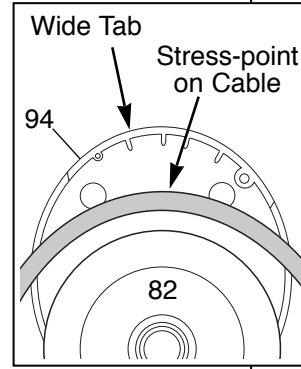


22. Insert a 5/16" x 1" Bolt (97) through the bracket on the Right Arm (5). Tighten a 5/16" Nylon Jam Nut (91) onto the Bolt.

Find the Butterfly Cable (89)—this is the second shortest Cable. Slide one end of the Butterfly Cable onto the 5/16" x 1" Bolt (97). Thread another 5/16" Nylon Jam Nut (91) onto the Bolt, **but do not fully tighten it. Leave enough room between the two Jam Nuts for the Cable to pivot.**

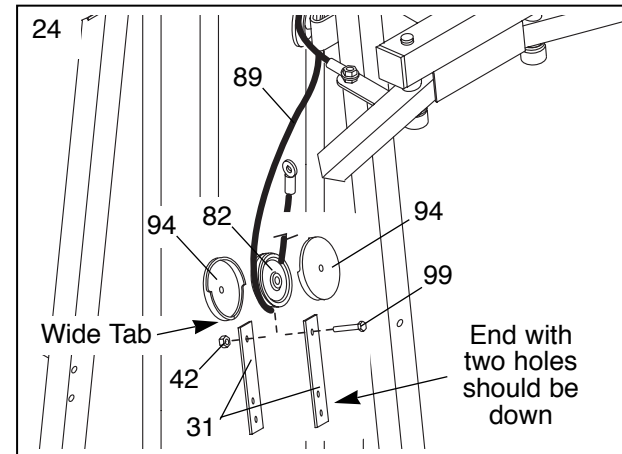


23. Wrap the Butterfly Cable (89) around a 3 1/2" Pulley (82) as shown. Attach the Pulley and two Pulley Covers (94) to the bracket on the Leg Press Upright (4) with a 3/8" x 2 1/4" Bolt (99), a 3/8" Washer (38) and a 3/8" Nylon Locknut (42). **The Pulley Covers must be oriented as shown in the inset drawing. Note that the wide tab is over the stress-point, where the Cable wraps around the Pulley. Use this orientation of the Pulley Covers in the following assembly steps.**

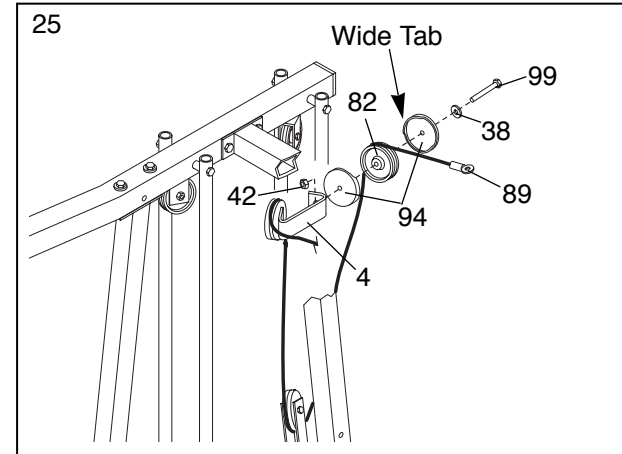


24. **Locate one of the preassembled pairs of Pulley Plates (31) and remove both 3 1/2" Pulleys (82).**

Route the Butterfly Cable (89) around a 3 1/2" Pulley (82) in the direction shown. Attach the Pulley and two Pulley Covers (94) to the Pulley Plates (31) with a 3/8" x 2 1/4" Bolt (99) and a 3/8" Nylon Locknut (42). **Note: The end of the Pulley Plates (31) with two holes should be pointed downward. Orient the wide tab on the Pulley Covers as shown.**

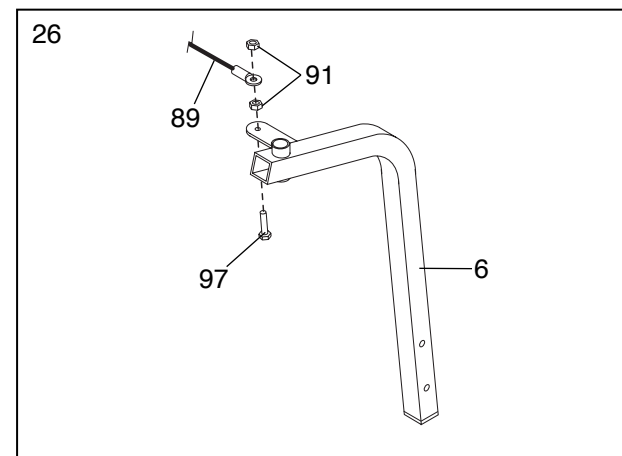


25. Wrap the Butterfly Cable (89) around a 3 1/2" Pulley (82) as shown. Attach the Pulley and two Pulley Covers (94) to the other side of the bracket on the Leg Press Upright (4) with a 3/8" x 2 1/4" Bolt (99), a 3/8" Washer (38) and a 3/8" Nylon Locknut (42). **Orient the wide tab on the Pulley Covers as shown.**

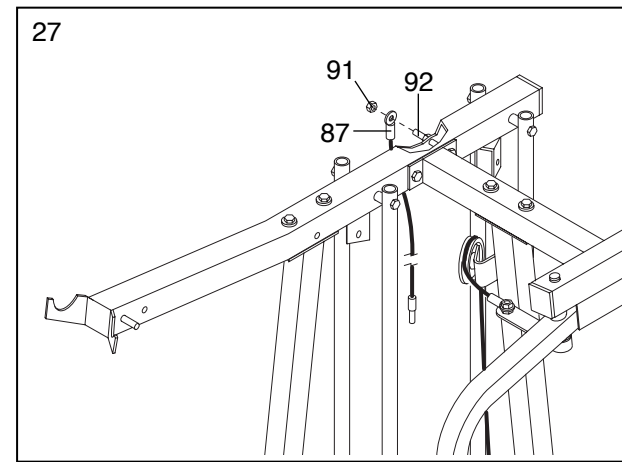


26. **Note: The Left Arm (6) is shown removed for easier part identification.** Insert a 5/16" x 1" Bolt (97) through the bracket on the Left Arm. Fully tighten a 5/16" Nylon Jam Nut (91) onto the Bolt.

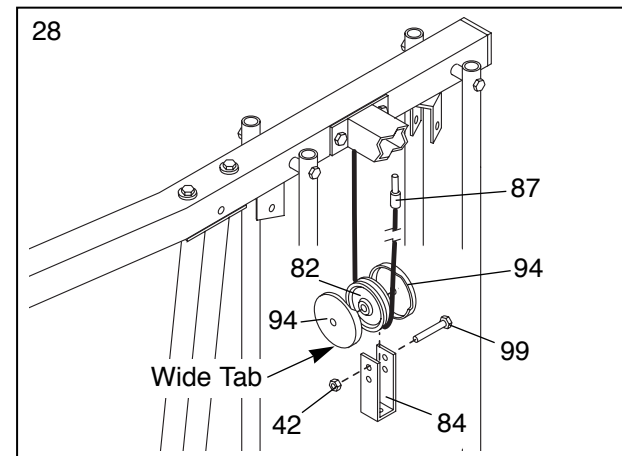
Slide the free end of the Butterfly Cable (89) onto the 5/16" x 1" Bolt (97). Thread another 5/16" Nylon Jam Nut (91) onto the Bolt, **but do not fully tighten it. Leave enough room between the two Jam Nuts for the Cable to pivot.**



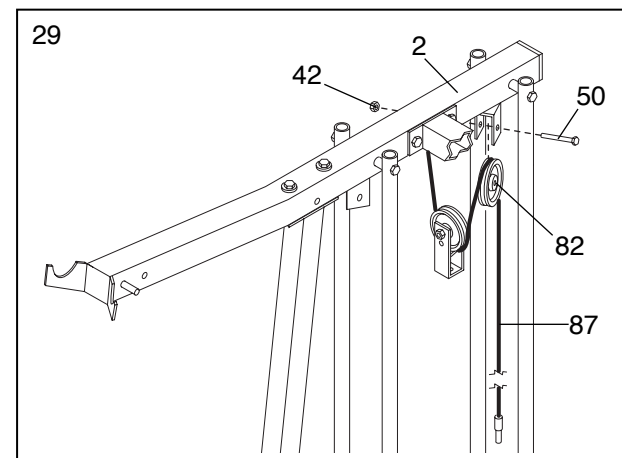
27. **Locate the Rear Cable (87)—this is the shortest Cable.** Slide one end of the Rear Cable onto the 5/16" x 3" Bolt (92). Thread another 5/16" Nylon Jam Nut (91) onto the Bolt, **but do not fully tighten it.** Leave enough room between the two Jam Nuts for the Cable to pivot.



28. Attach a 3 1/2" Pulley (82) and two Pulley Covers (94) to the upper hole in a Large "U" Bracket (84) with a 3/8" x 2 1/4" Bolt (99) and a 3/8" Nylon Locknut (42). **Orient the wide tab on the Pulley Covers as shown. Make sure the Cable is in the groove of the Pulley and that the Cable and Pulley move smoothly.**



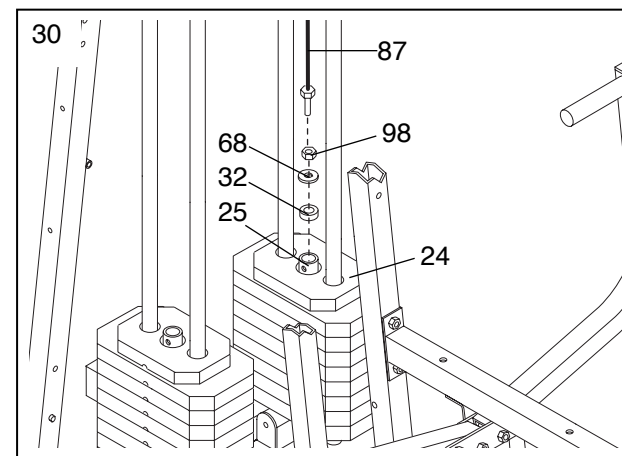
29. Wrap the Rear Cable (87) around a 3 1/2" Pulley (82). Attach the Pulley to the Top Frame (2) with a 3/8" x 2" Bolt (50) and a 3/8" Nylon Locknut (42). **The Cable must be routed from the direction shown.**



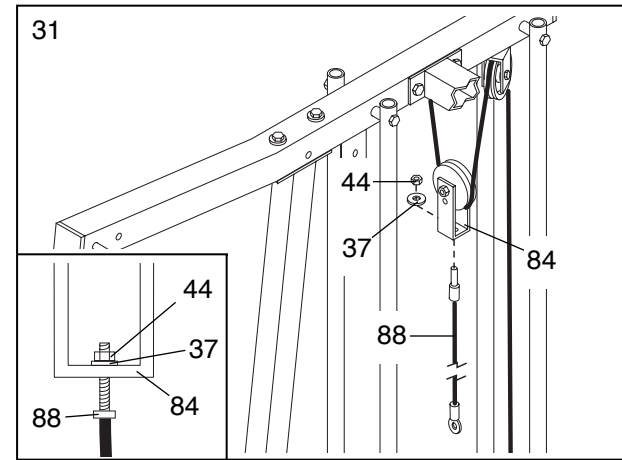
30. Thread a 1/2" Plain Nut (98) onto the end of the Rear Cable (87). Place a 1/2" x 1 1/4" Weight Spacer (32) and a 1/2" Washer (68) on top of the Weight Tube (25).

Thread the end of the Rear Cable (87) into the upper end of the Weight Tube (25) until the Weight Spacer (32) touches the Weight Tube.

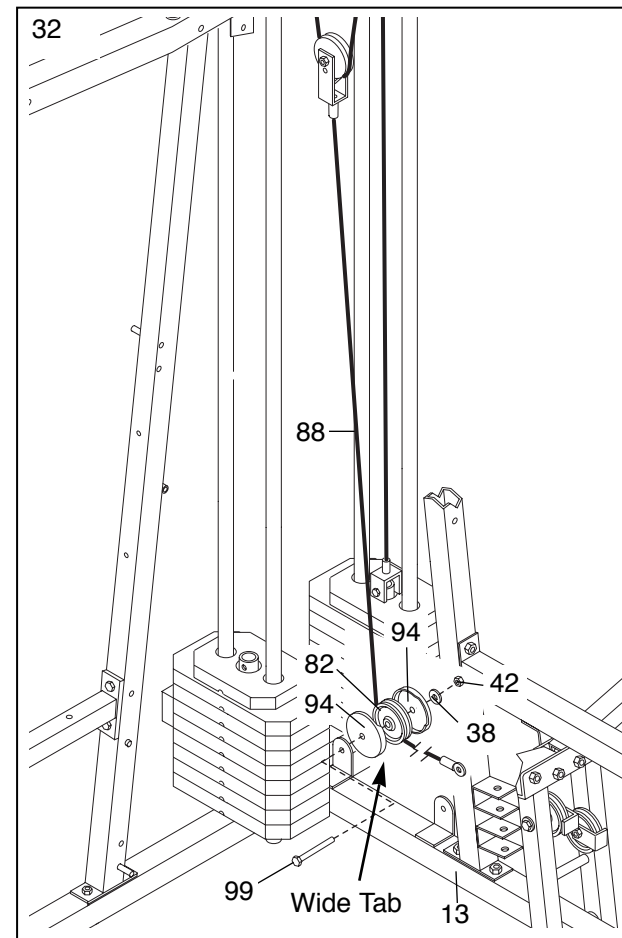
Note: It is necessary to lift the Weight Tube (25) with the Top Weight (24) slightly to thread the Rear Cable (87) in place.



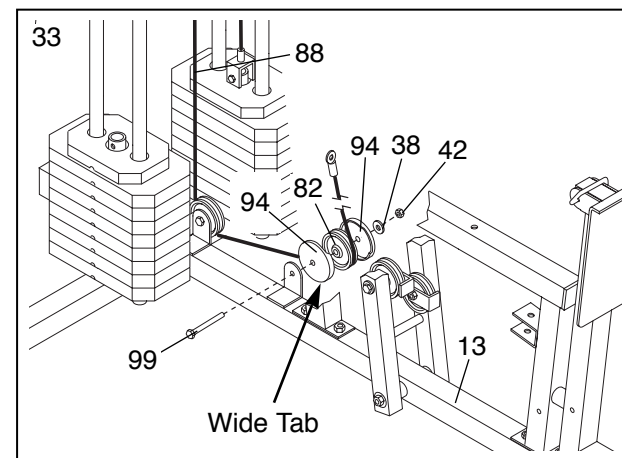
31. **Locate the Press Cable (88)—this is the longest Cable.** Attach the end of the Press Cable (88) to the Large “U” Bracket (84) with a 1/4” Nylon Locknut (44) and a 1/4” Washer (37). **Do not completely tighten the Nylon Locknut. It should be threaded onto the end of the Cable so only a couple of threads are showing above the Nylon Locknut, as shown in the inset drawing.**



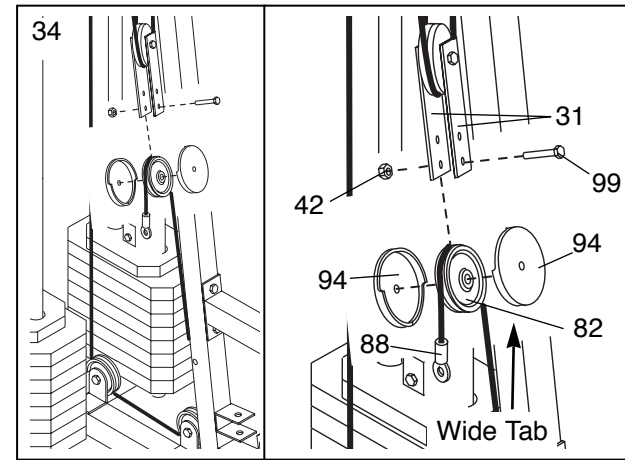
32. Wrap the Press Cable (88) around a 3 1/2” Pulley (82) in the direction shown. Attach the Pulley and two Pulley Covers (94) to the indicated bracket on the Press Base (13) with a 3/8” x 2 1/4” Bolt (99), a 3/8” Washer (38) and a 3/8” Nylon Locknut (42). **Orient the wide tab on the Pulley Covers as shown.**



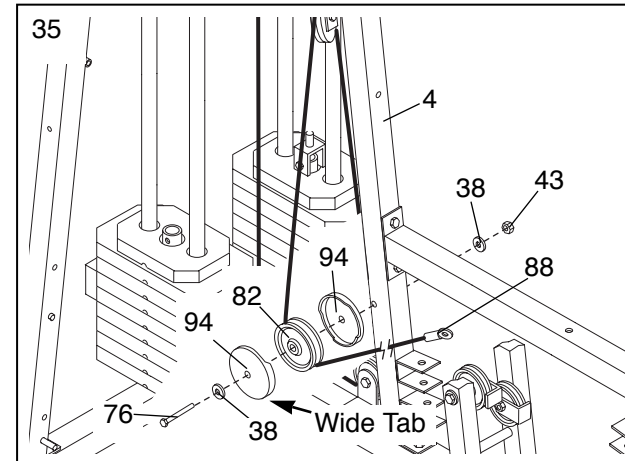
33. Wrap the Press Cable (88) around a 3 1/2” Pulley (82) in the direction shown. Attach the Pulley and two Pulley Covers (94) to the other bracket on the Press Base (13) with a 3/8” x 2 1/4” Bolt (99), a 3/8” Washer (38) and a 3/8” Nylon Locknut (42). **Orient the wide tab on the Pulley Covers as shown.**



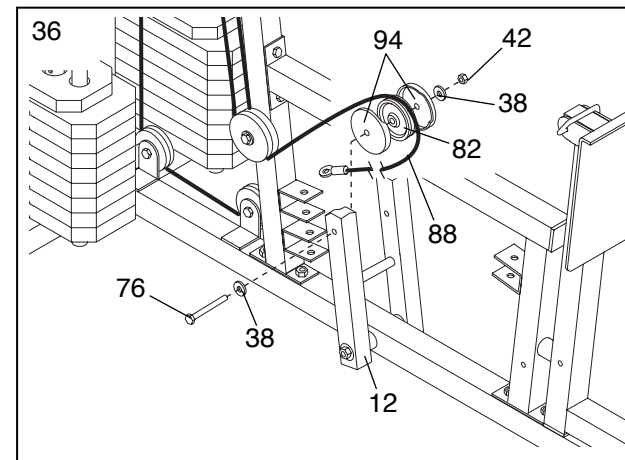
34. Wrap the Press Cable (88) around a 3 1/2" Pulley (82) in the direction shown. Attach the Pulley and two Pulley Covers (94) to the lower set of holes in the Pulley Plates (31) with a 3/8" x 2 1/4" Bolt (99) and a 3/8" Nylon Locknut (42). **Orient the wide tab on the Pulley Covers as shown.**



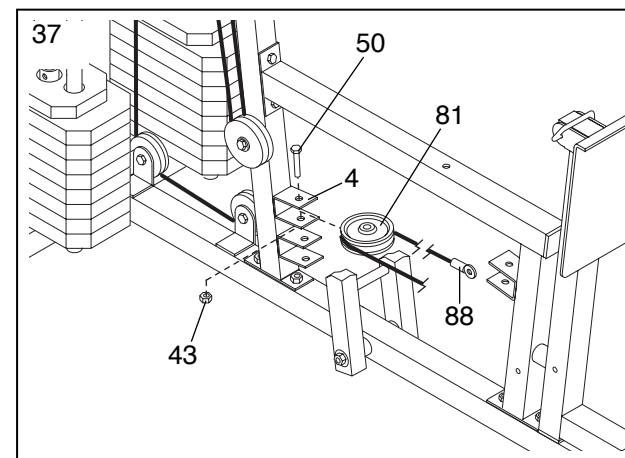
35. Route the Press Cable (88) around a 3 1/2" Pulley (82) in the direction shown. Attach the Pulley and two Pulley Covers (94) to the Leg Press Upright (4) with a 3/8" x 3 3/4" Bolt (76), two 3/8" Washers (38) and a 3/8" Nylon Jamnut (43). **Orient the wide tab on the Pulley Covers as shown.**



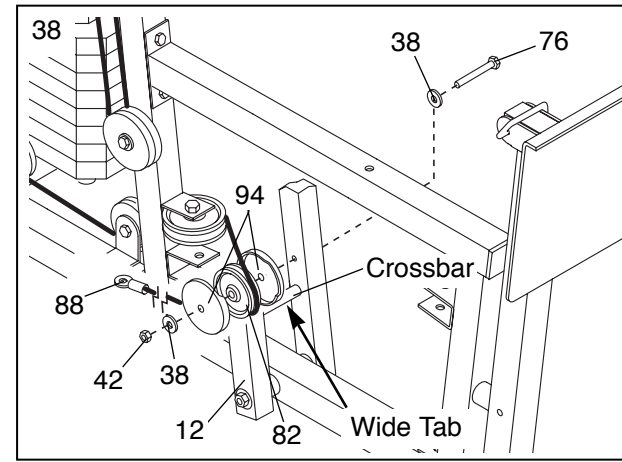
36. Wrap the Press Cable (88) around a 3 1/2" Pulley (82) in the direction shown. Attach the Pulley and two Pulley Covers (94) to the indicated hole in the Press Frame (12) with a 3/8" x 3 3/4" Bolt (76), two 3/8" Washers (38) and a 3/8" Nylon Locknut (42). **Orient the wide tab on the Pulley Covers as shown.**



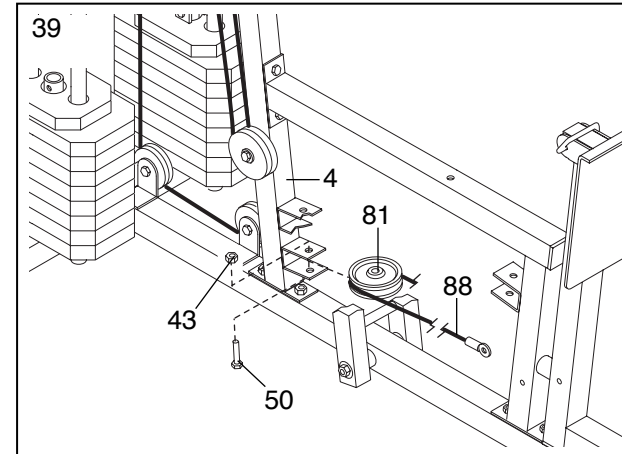
37. Wrap the Press Cable (88) around a "V" Pulley (81). Attach the "V" Pulley to the upper bracket on the Leg Press Upright (4) with a 3/8" x 2" Bolt (50) and a 3/8" Nylon Jam Nut (43).



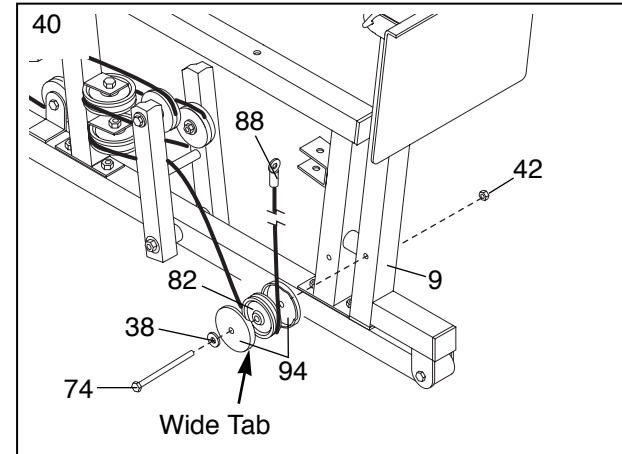
38. Wrap the Press Cable (88) around a 3 1/2" Pulley (82) in the direction shown. Attach the Pulley and two Pulley Covers (94) to the indicated hole in the Press Frame (12) with a 3/8" x 3 3/4" Bolt (76), two 3/8" Washers (38) and a 3/8" Nylon Locknut (42). **Orient the wide tab on the Pulley Covers as shown.**



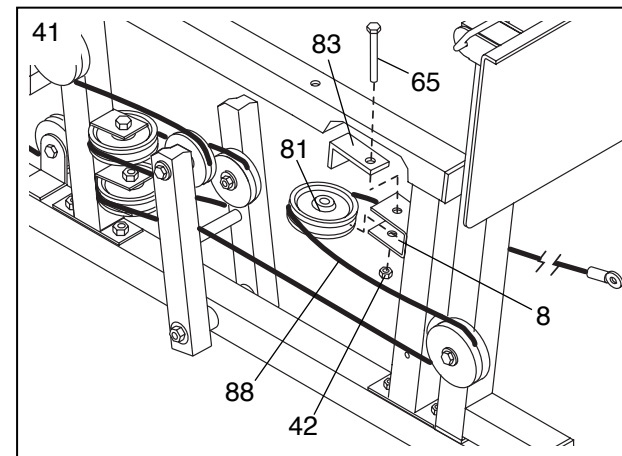
39. Wrap the Press Cable (88) around a "V" Pulley (81). Attach the "V" Pulley to the lower bracket on the Leg Press Upright (4) with a 3/8" x 2" Bolt (50) and a 3/8" Nylon Jam Nut (43).



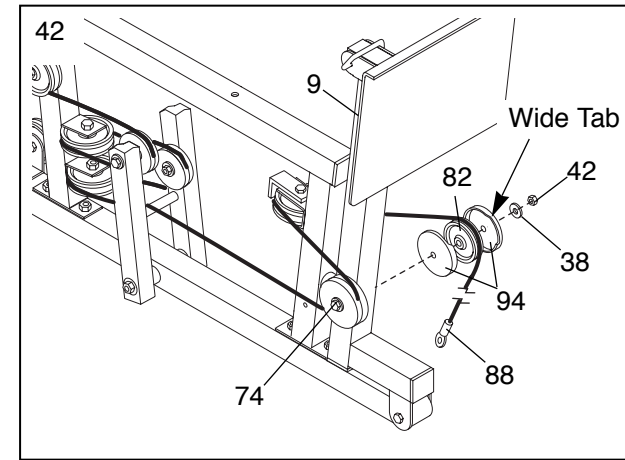
40. Wrap the Press Cable (88) around a 3 1/2" Pulley (82) in the direction shown. Attach the Pulley and two Pulley Covers (94) to the Leg Press Arm (9) with a 3/8" x 5" Bolt (74), a 3/8" Washer (38) and a 3/8" Nylon Locknut (42). **Only thread the Locknut a couple of turns onto the Bolt for now. It will be fully tightened in step 42. Orient the wide tab on the Pulley Covers as shown.**



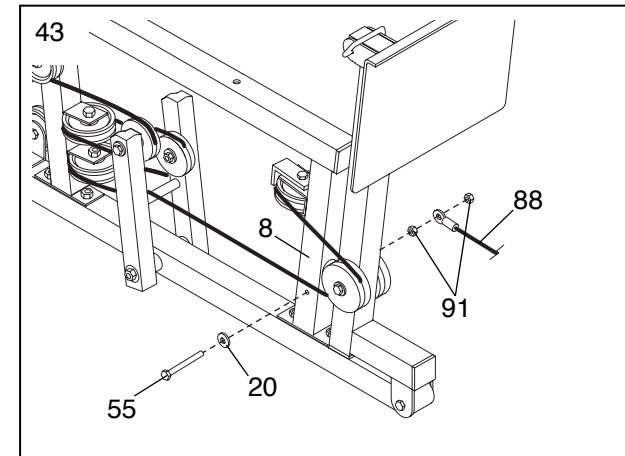
41. Wrap the Press Cable (88) around a "V" Pulley (81) in the direction shown. Attach the "V" Pulley and a Large Cable Trap (83) to the bracket on the Front Seat Frame (8) with a 3/8" x 2 1/2" Bolt (65) and a 3/8" Nylon Locknut (42). **Be sure that the Large Cable Trap is turned to hold the Cable in place and that the Cable and Pulley move smoothly.**



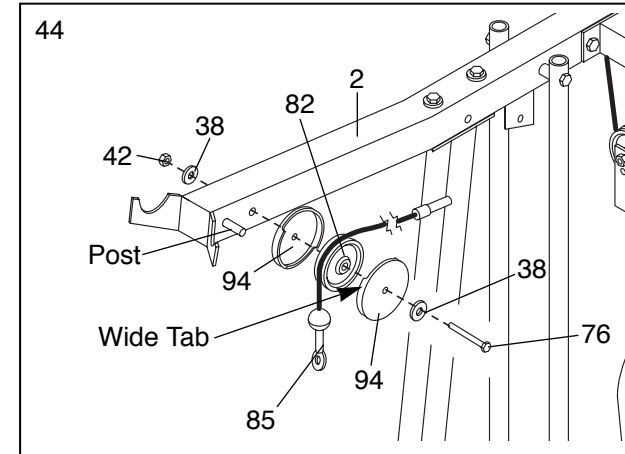
42. Remove the 3/8" Nylon Locknut (42) from the 3/8" x 5" Bolt (74) attached in step 40. Wrap the Press Cable (88) around a 3 1/2" Pulley (82) in the direction shown. Attach the Pulley and two Pulley Covers (94) to the Leg Press Arm (9) with the 3/8" x 5" Bolt, a 3/8" Washer (38) and the 3/8" Nylon Locknut. **Orient the wide tab on the Pulley Covers as shown.**



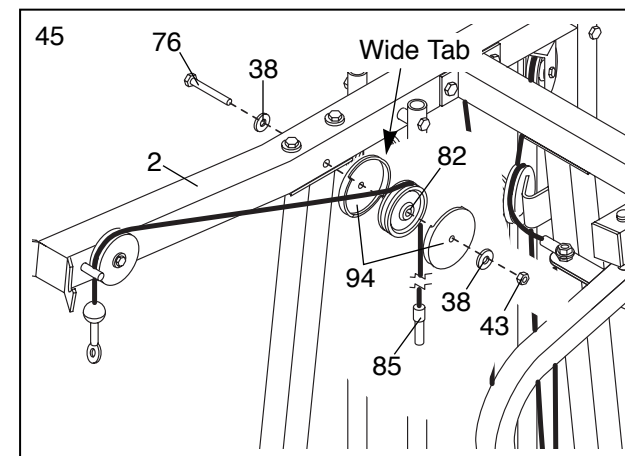
43. Slide a 5/16" Washer (20) onto a 5/16" x 2 3/4" Bolt (55). Insert the Bolt into the Front Seat Frame (8). Fully tighten a 5/16" Nylon Jam Nut (91) onto the Bolt. Slide the end of the Press Cable (88) onto the Bolt. Thread another 5/16" Nylon Jam Nut (91) onto the Bolt, **but do not fully tighten it. Leave enough room between the two Jam Nuts for the Cable to pivot.**



44. **Locate the High Cable (85)—this is the shortest remaining cable.** Wrap the High Cable around a 3 1/2" Pulley (82) in the direction shown. Attach the Pulley and two Pulley Covers (94) to the Top Frame (2) with a 3/8" x 3 3/4" Bolt (76), two 3/8" Washers (38) and a 3/8" Nylon Locknut (42). **Make sure the end of the Cable with the ball is on the indicated side of the Pulley and that the Cable is between the Pulley and the post. Orient the wide tab on the Pulley Covers as shown.**



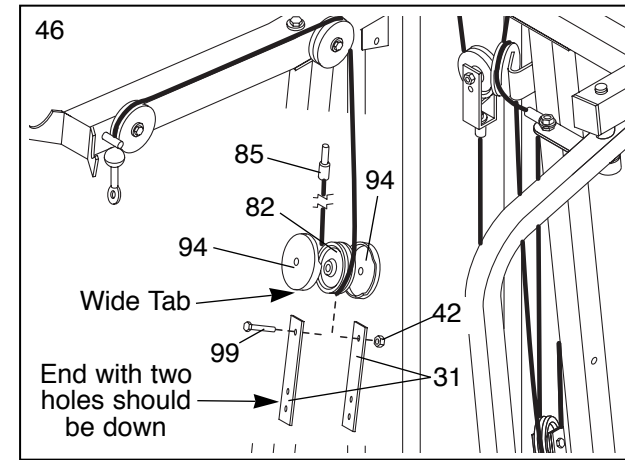
45. Wrap the High Cable (85) around a 3 1/2" Pulley (82) in the direction shown. Attach the Pulley and two Pulley Covers (94) to the Top Frame (2) with a 3/8" x 3 3/4" Bolt (76), two 3/8" Washers (38) and a 3/8" Nylon Jam Nut (43). **Orient the wide tab on the Pulley Covers as shown.**



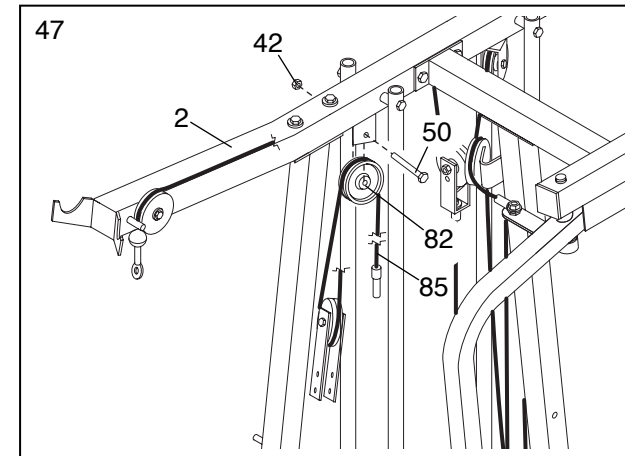
46. Locate one of the preassembled pairs of Pulley Plates (31) and remove both 3 1/2" Pulleys (82).

Route the High Cable (85) around a 3 1/2" Pulley (82) in the direction shown. Attach the Pulley and two Pulley Covers (94) to the Pulley Plates (31) with a 3/8" x 2 1/4" Bolt (99) and a 3/8" Nylon Locknut (42).

Note: The end of the Pulley Plates (31) with two holes should be pointed downward. Orient the wide tab on the Pulley Covers as shown.



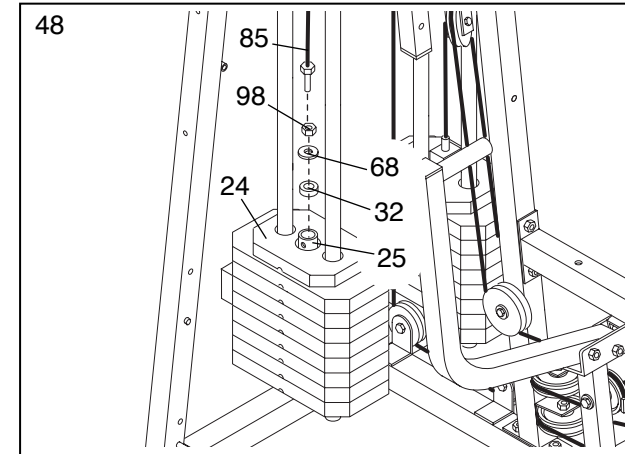
47. Wrap the High Cable (85) around a 3 1/2" Pulley (82) in the direction shown. Attach the Pulley to the indicated bracket on the Top Frame (2) with a 3/8" x 2" Bolt (50) and a 3/8" Nylon Locknut (42).



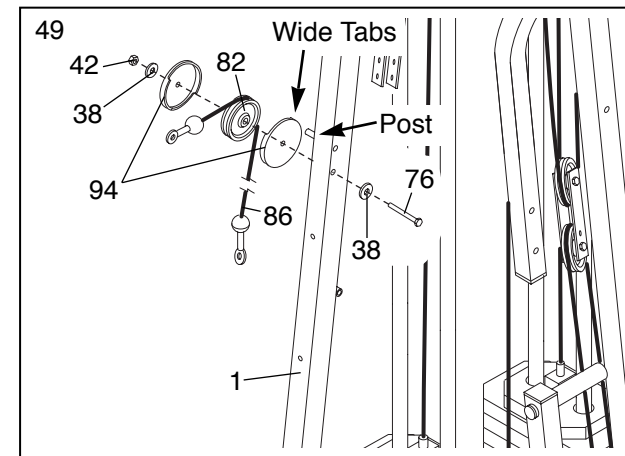
48. Thread a 1/2" Plain Nut (98) onto the end of the High Cable (85). Place a 1/2" Washer (68) and a 1 1/4" x 1/2" Weight Spacer (32) on top of the Weight Tube (25).

Thread the end of the High Cable (85) into the upper end of the Weight Tube (25) until the Weight Spacer (10) touches the Weight Tube.

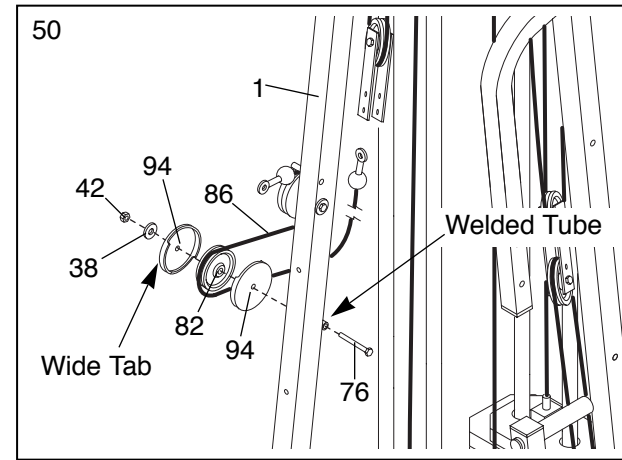
Note: It is necessary to lift the Weight Tube (25) with the Top Weight (24) slightly to thread the High Cable (85) in place.



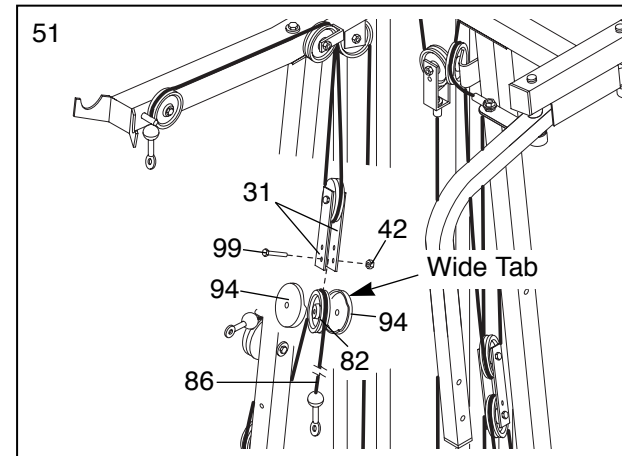
49. Wrap the Low Cable (86) around a 3 1/2" Pulley (82) in the direction shown. Attach the Pulley and two Pulley Covers (94) to the Ab Upright (1) with a 3/8" x 3 3/4" Bolt (76), two 3/8" Washers (38) and a 3/8" Nylon Locknut (42). **Do not overtighten the Nylon Locknut; the Pulley should turn easily. Make sure that the Cable is between the Pulley and the post, and that the Pulley Covers are oriented as shown.**



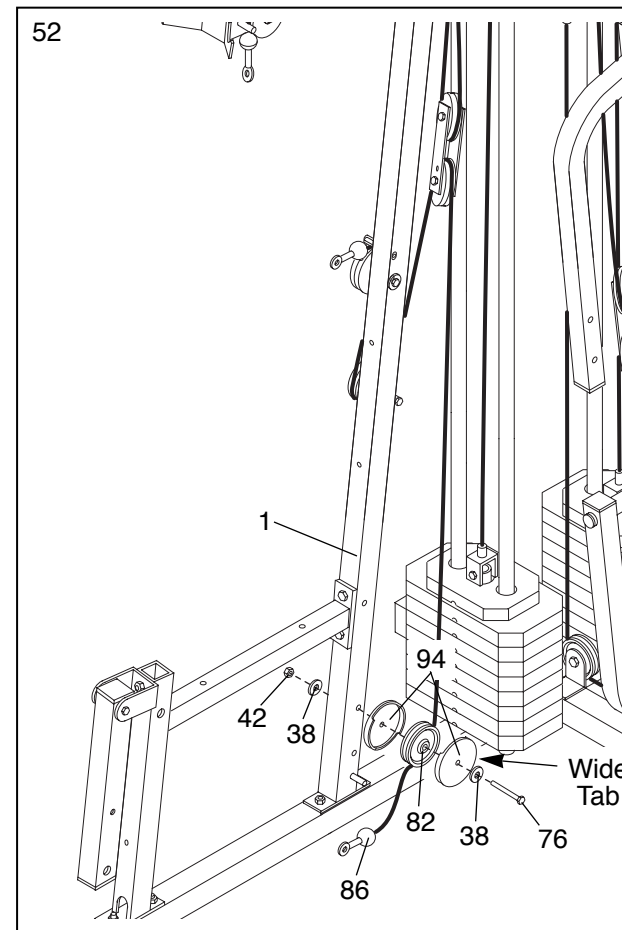
50. Wrap the Low Cable (86) around a 3 1/2" Pulley (82) in the direction shown. Attach the Pulley and two Pulley Covers (94) to the welded tube on the Ab Upright (1) with a 3/8" x 3 3/4" Bolt (76), a 3/8" Washer (38) and a 3/8" Nylon Locknut (42). **Orient the wide tab on the Pulley Covers as shown.**



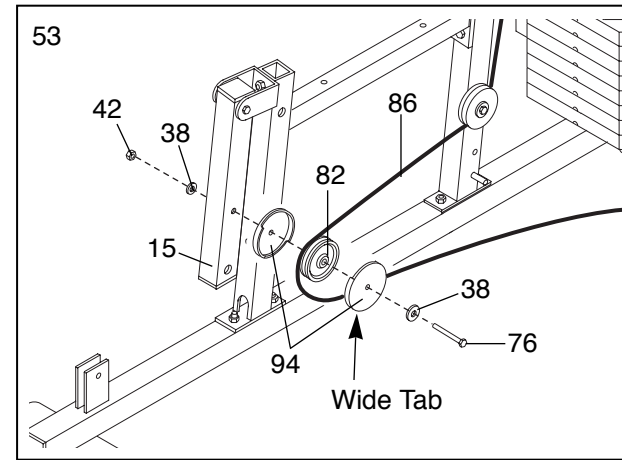
51. Wrap the Low Cable (86) around a 3 1/2" Pulley (82) in the direction shown. Attach the Pulley and two Pulley Covers (94) to the lower set of holes in the Pulley Plates (31) with a 3/8" x 2 1/4" Bolt (99) and a 3/8" Nylon Locknut (42). **Orient the wide tab on the Pulley Covers as shown.**



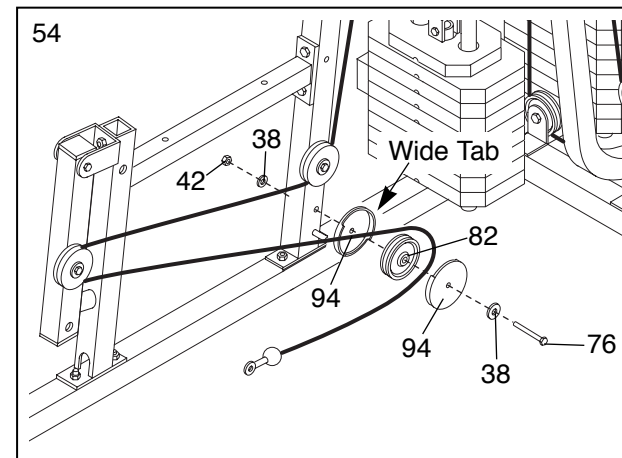
52. Wrap the Low Cable (86) around a 3 1/2" Pulley (82) in the direction shown. Attach the Pulley and two Pulley Covers (94) to the indicated hole in the Ab Upright (1) with a 3/8" x 3 3/4" Bolt (76), two 3/8" Washers (38) and a 3/8" Nylon Locknut (42). **Orient the wide tab on the Pulley Covers as shown.**



53. Wrap the Low Cable (86) around a 3 1/2" Pulley (82) in the direction shown. Attach the Pulley and two Pulley Covers (94) to the indicated hole in the Leg Lever (15) with a 3/8" x 3 3/4" Bolt (76), two 3/8" Washers (38) and a 3/8" Nylon Locknut (42). **Orient the wide tab on the Pulley Covers as shown.**

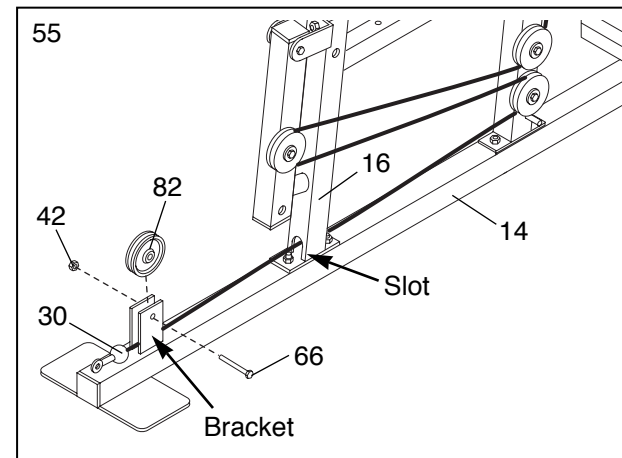


54. Wrap the Low Cable (86) around a 3 1/2" Pulley (82) in the direction shown. Attach the Pulley and two Pulley Covers (94) to the indicated hole in the Ab Upright (1) with a 3/8" x 3 3/4" Bolt (76), two 3/8" Washers (38) and a 3/8" Nylon Locknut (42). **Orient the wide tab on the Pulley Covers as shown.**



55. Route the Low Cable (86) through the slot in the Rear Seat Frame (16) and place it in the bracket on the Weight Base (14).

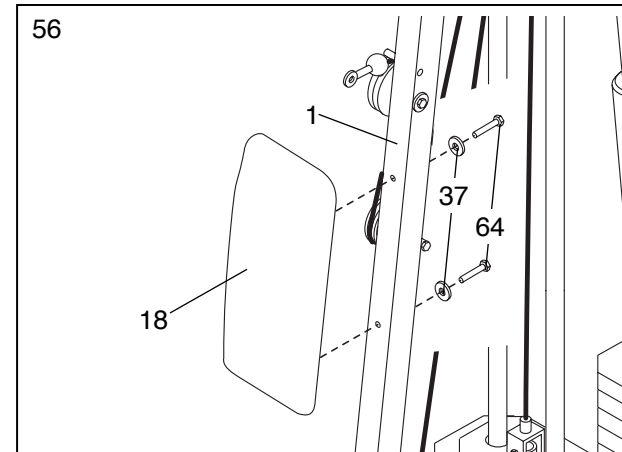
Attach a 3 1/2" Pulley (82) inside the bracket on the Weight Base (14) with a 3/8" x 1 3/4" Bolt (66) and a 3/8" Nylon Locknut (42). **Orient the wide tab on the Pulley Covers as shown.**



SEAT ASSEMBLY

56. **Locate and open the parts bag labeled "SEAT ASSEMBLY."**

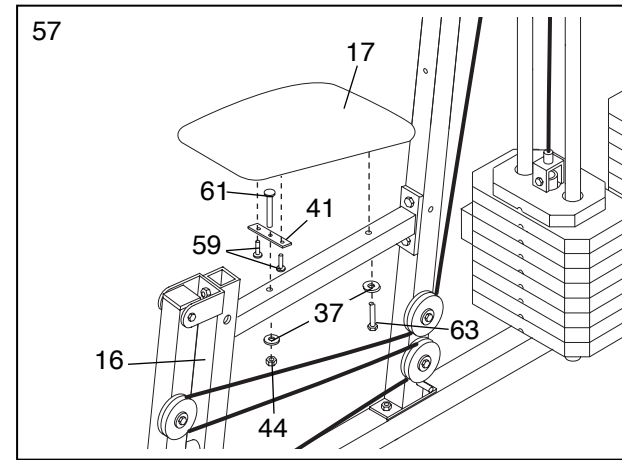
Attach the Small Backrest (18) to the Ab Upright (1) with two 1/4" x 2 1/2" Machine Screws (64) and two 1/4" Washers (37).



57. Insert a 1/4" x 2" Carriage Bolt (61) through the center hole in a Seat Plate (41). Attach the Seat Plate to the Seat (17) with two 1/4" x 1/2" Screws (59).

Insert the 1/4" x 2" Carriage Bolt (61) through the indicated hole in the Rear Seat Frame (16). Tighten a 1/4" Nylon Locknut (44) with a 1/4" Washer (37) onto the Carriage Bolt.

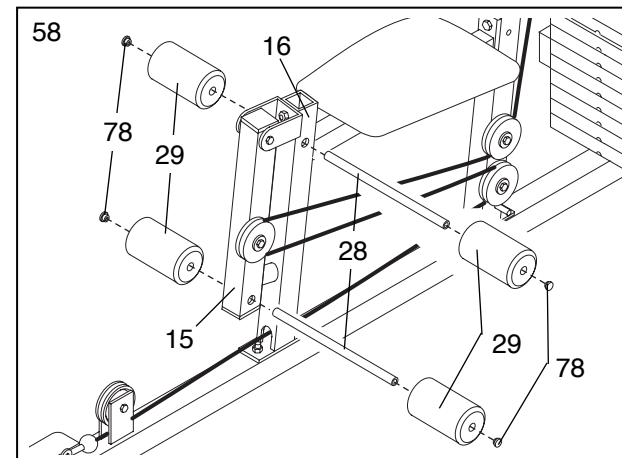
Attach the other end of the Seat (17) to the Rear Seat Frame (16) with a 1/4" Washer (37) and a 1/4" x 2" Machine Screw (63).



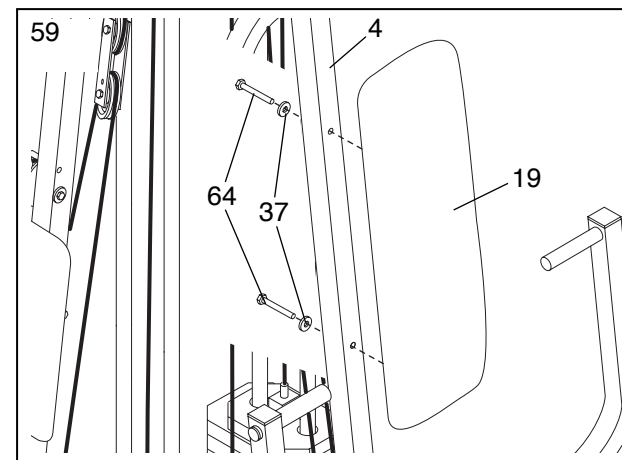
58. Press two 3/4" Round Inner Caps (78) into each Pad Tube (28).

Insert a Pad Tube (28) into the Rear Seat Frame (16). Slide a Foam Pad (29) onto each end of the Pad Tube.

Insert the other Pad Tube (28) into the Leg Lever (15). Slide a Foam Pad (29) onto each end of the Pad Tube.



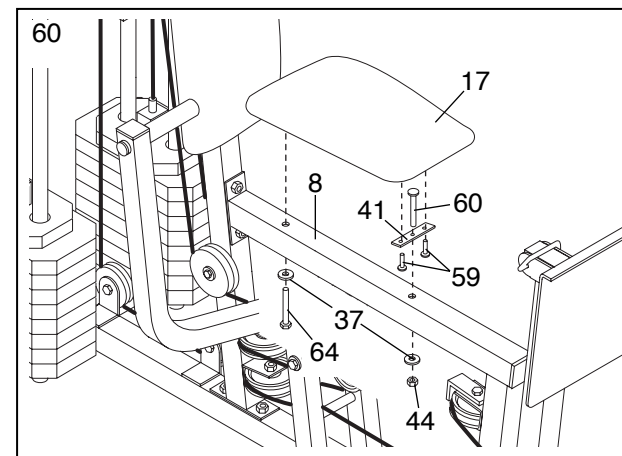
59. Attach the Large Backrest (19) to the Leg Press Upright (4) with two 1/4" x 2 1/2" Machine Screws (64) and two 1/4" Washers (37).



60. Insert a 1/4" x 2 1/2" Carriage Bolt (60) through the center hole in a Seat Plate (41). Attach the Seat Plate to the Seat (17) with two 1/4" x 1/2" Screws (59).

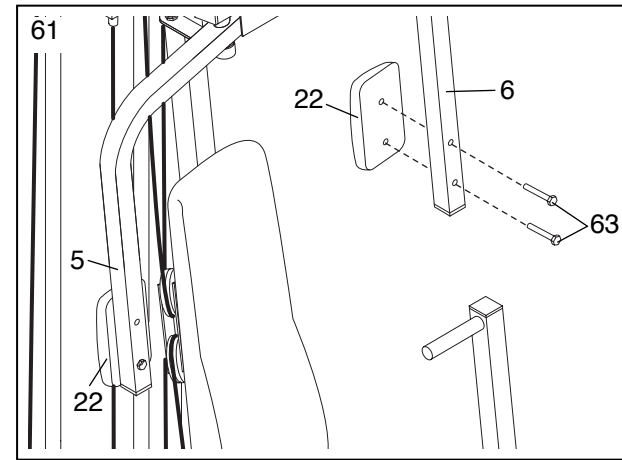
Insert the 1/4" x 2 1/2" Carriage Bolt (60) through the indicated hole in the Front Seat Frame (8). Tighten a 1/4" Nylon Locknut (44) with a 1/4" Washer (37) onto the Carriage Bolt.

Attach the other end of the Seat (17) to the Front Seat Frame (8) with a 1/4" Washer (37) and a 1/4" x 2 1/2" Machine Screw (64).



61. Attach a Butterfly Pad (22) to the Left Fly Arm (6) with two 1/4" x 2" Machine Screws (63).

Repeat this step for the Right Fly Arm (5).



62. Make sure that all parts have been properly tightened. The use of the remaining parts will be explained in HOW TO USE THE HOME GYM SYSTEM, beginning on page 22 of this manual.

Before using the home gym system, pull each cable a few times to be sure that the cables move smoothly over the pulleys. If one of the cables does not move smoothly, find and correct the problem. **IMPORTANT: If the cables are not properly installed, they may be damaged when heavy weight is used. See the CABLE DIAGRAMS on page 26 and 27 of this manual for proper cable routing. If there is any slack in the cables, you will need to remove the slack by tightening the cables. See TROUBLE-SHOOTING AND MAINTENANCE on page 25.**

How to Use the Home Gym System

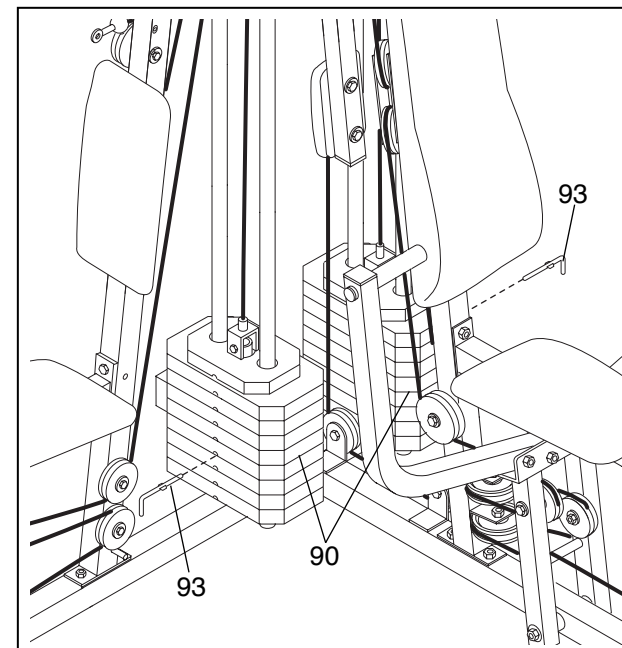
The instructions below describe how each part of the home gym system can be adjusted. Refer to the exercise poster accompanying this manual to see how the home gym system should be set up for each exercise.

IMPORTANT: When attaching the lat bar or nylon strap, make sure that the attachments are in the correct starting position for the exercise to be performed. If there is any slack in the cables or chain as an exercise is performed, the effectiveness of the exercise will be reduced.

CHANGING THE WEIGHT SETTING

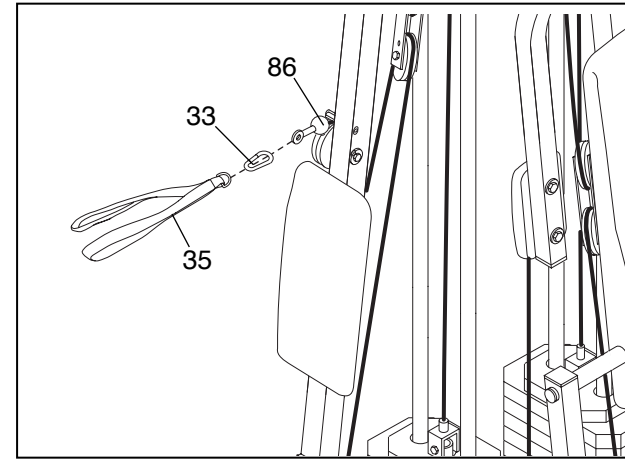
The home gym system features two weight stacks. The one weight stack is connected to the ab, upper, and lower pulley stations. The other weight stack is connected to the fly and press arms and the leg press.

To change the weight setting of either weight stack, insert a Weight Pin (93) under the desired Weight (90). Insert the Weight Pin until the bent end of the Weight Pin is touching the Weights, and turn the bent end downward. The weight setting of either weight stack can be changed from 6.5 pounds to 106.5 pounds, in increments of 12.5 pounds. **Note: Due to the cables and pulleys, the amount of resistance at each exercise station may vary from the weight setting. Use the WEIGHT RESISTANCE CHART on page 24 to find the approximate amount of resistance at each weight station.**



ATTACHING THE AB STRAP TO THE AB PULLEY STATION

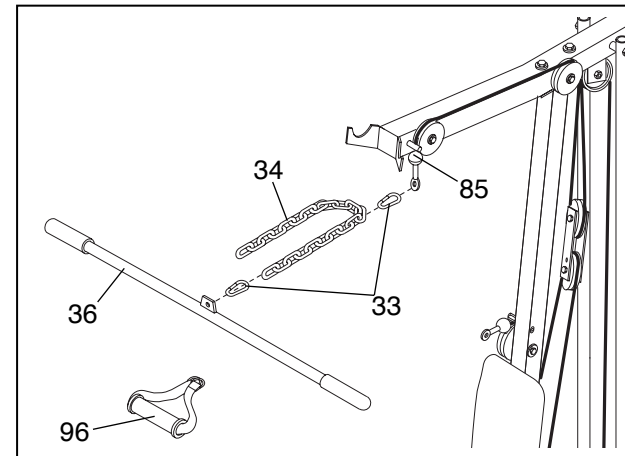
Attach the Lat Bar (36) to the Low Cable (86) at the ab pulley station with a Cable Clip (33).



ATTACHING THE LAT BAR OR NYLON STRAP TO THE HIGH PULLEY STATION

Attach the Lat Bar (36) to the High Cable (85) with a Cable Clip (33). For some exercises, the Chain (34) should be attached between the Lat Bar and the High Cable with two Cable Clips. **Adjust the length of the Chain between the Lat Bar and the High Cable so the Lat Bar is in the correct starting position for the exercise to be performed.**

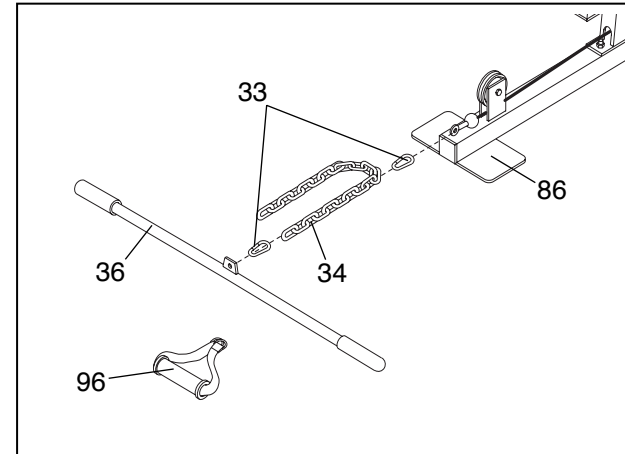
The Nylon Strap (96) can be attached in the same manner.



ATTACHING THE LAT BAR OR NYLON STRAP TO THE LOW PULLEY STATION

Attach the Lat Bar (36) to the Low Cable (86) with a Cable Clip (33). For some exercises, the Chain (34) should be attached between the Lat Bar and the Low Cable with two Cable Clips. **Adjust the length of the Chain between the Lat Bar and the Low Cable so the Lat Bar is in the correct starting position for the exercise to be performed.**

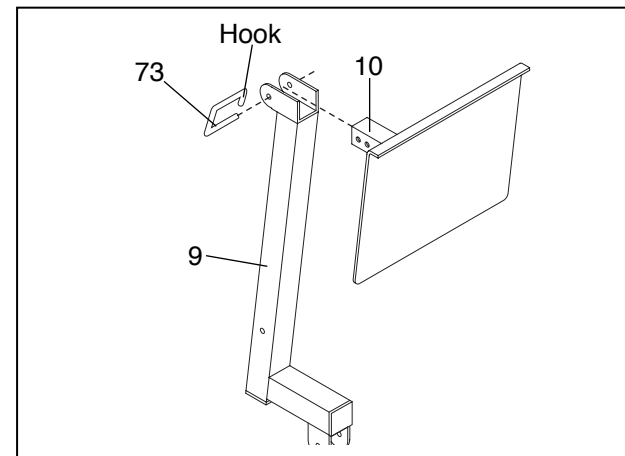
The Nylon Strap (96) can be attached in the same manner.



ADJUSTING THE LEG PRESS PLATE

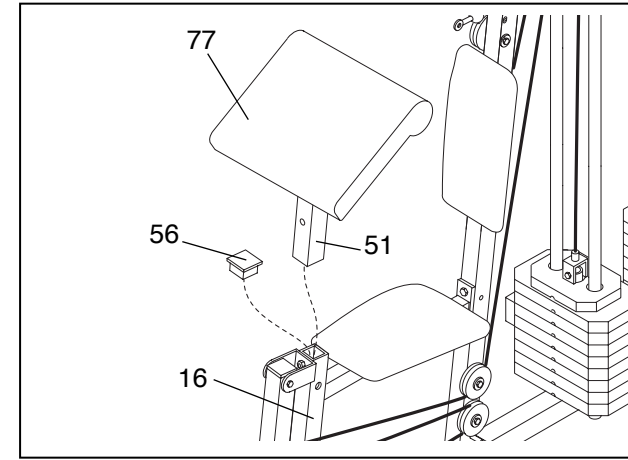
Remove the Lock Pin (73) from the Adjustment Tube (10).

Align the holes in the Leg Press Arm (9) with the desired set of holes in the Adjustment Tube (10). Re-insert the Lock Pin (73) through the holes in the Leg Press Arm and the holes in the Adjustment Tube. **Be sure that the hook on the Lock Pin is clipped in place on the Adjustment Tube.**



USING THE CURL PAD

To use the Curl Pad (77), remove the 2" Square Inner Cap (56) from the Rear Seat Frame (16) and insert the Curl Post (51) into the Seat Frame.



Weight Resistance Chart

This chart shows the approximate weight resistance at each weight station. "Top" refers to the 6.5 lb. top weight. The other numbers refer to the 12.5 lb. weight plates. The butterfly arm resistance listed is the resistance for each butterfly arm.

WEIGHT PLATES	PRESS ARM (lbs.)	BUTTERFLY ARM (lbs.)	LEG LEVER (lbs.)	HIGH PULLEY (lbs.)	LOW PULLEY (lbs.)	LEG PRESS (lbs.)	AB PULLEY (lbs.)
Top	27	20	9	10	10	52	10
1	53	37	18	24	24	94	25
2	79	50	33	40	41	141	40
3	101	65	38	53	53	180	53
4	125	83	48	66	63	228	68
5	148	103	58	80	80	263	83
6	175	120	68	96	91	310	96
7	205	143	76	107	101	358	110
8	240	173	90	123	120	410	124

The actual resistance at each weight station may vary due to differences in individual weight plates, as well as friction between the cables, pulleys, and weight guides.

Trouble-shooting and Maintenance

Inspect and tighten all parts each time you use the home gym system. Replace any worn parts immediately. The home gym system can be cleaned using a damp cloth and mild non-abrasive detergent. Do not use solvents.

TIGHTENING THE CABLES

Woven cable, the type of cable used on the home gym system, can stretch slightly when it is first used. If there is slack in the cables before resistance is felt, the cables should be tightened. If any slack is felt when using the weight stack closest to the ab upright, both the High Cable (85) and the Low Cable (86) will need to be tightened. If any slack is felt when using the other weight stack, the Rear Cable (87), the Press Cable (88), and the Butterfly Cable (89) will need to be tightened.

To tighten the cables, first insert the weight pin into the middle of the weight stack. Slack can be removed from these cables several ways:

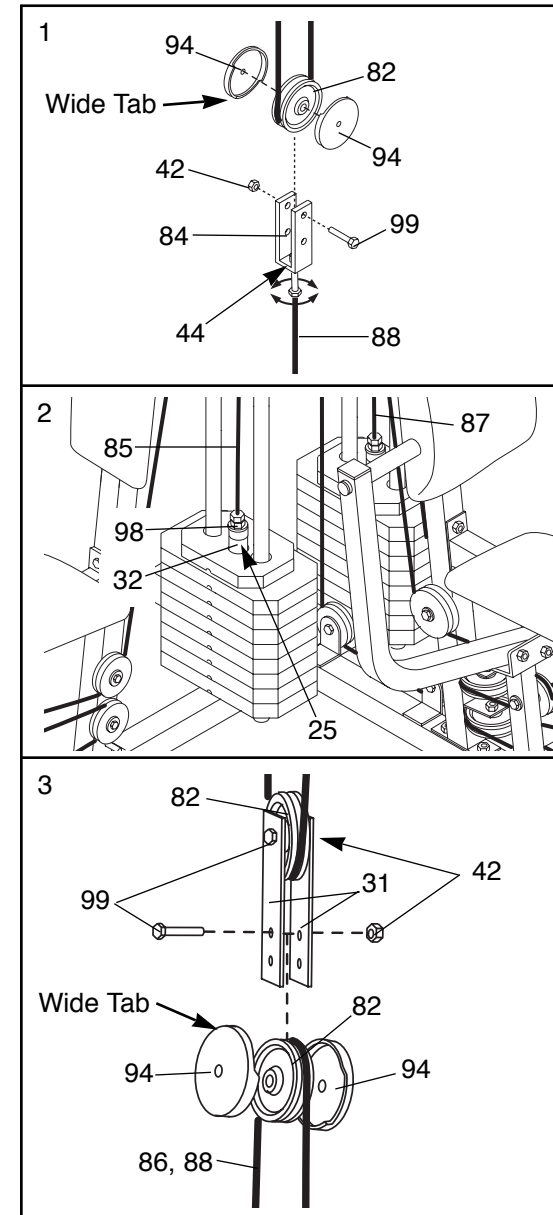
- See drawing 1. Tighten the 1/4" Nylon Locknut (44) that connects the end of the Press Cable (88) to the Large "U" Bracket (84).
- See drawing 1. Remove the 3/8" Nylon Locknut (42) and the 3/8" x 2 1/4" Bolt (99) from the Pulley Covers (94), Pulley and Large "U" Bracket (84). Re-attach the Pulley and Pulley Covers to the other hole in the Large "U" Bracket. Orient the wide tab on the Pulley Covers as shown and make sure the Cable and Pulley move smoothly.
- See drawing 2. Loosen the 1/2" Plain Nut (98) on the end of the High Cable (85). Thread the Cable further into the spider nut (not shown) in the end of the Weight Tube (25). If the Cable needs to be tightened further, the 1/2" x 1 1/4" Weight Spacer (32) can be removed. The Rear Cable (87) can be tightened in the same manner.
- See Drawing 3. If you feel additional slack while using the home gym system, the Low Cable (86) and the Press Cable (88) can be tightened further.

Remove the 3/8" x 2 1/4" Bolts (99), the 3/8" Nylon Locknuts (42), the 3 1/3" Pulleys (82), and the Pulley Covers (94) from the Pulley Plates (31). Re-attach the upper Pulley **without the Cable Trap**. Re-attach the lower Pulley to the higher hole in the Pulley Plates **without the Cable Trap**. Keep the Cable Traps for future use. Be sure that the Cable and Pulley move smoothly.

Do not overtighten the cables. If the cables are overtightened, the top weight will be lifted off the weight stack.

If a cable tends to slip off the pulleys often, it may have become twisted. Remove the cable and re-install it.

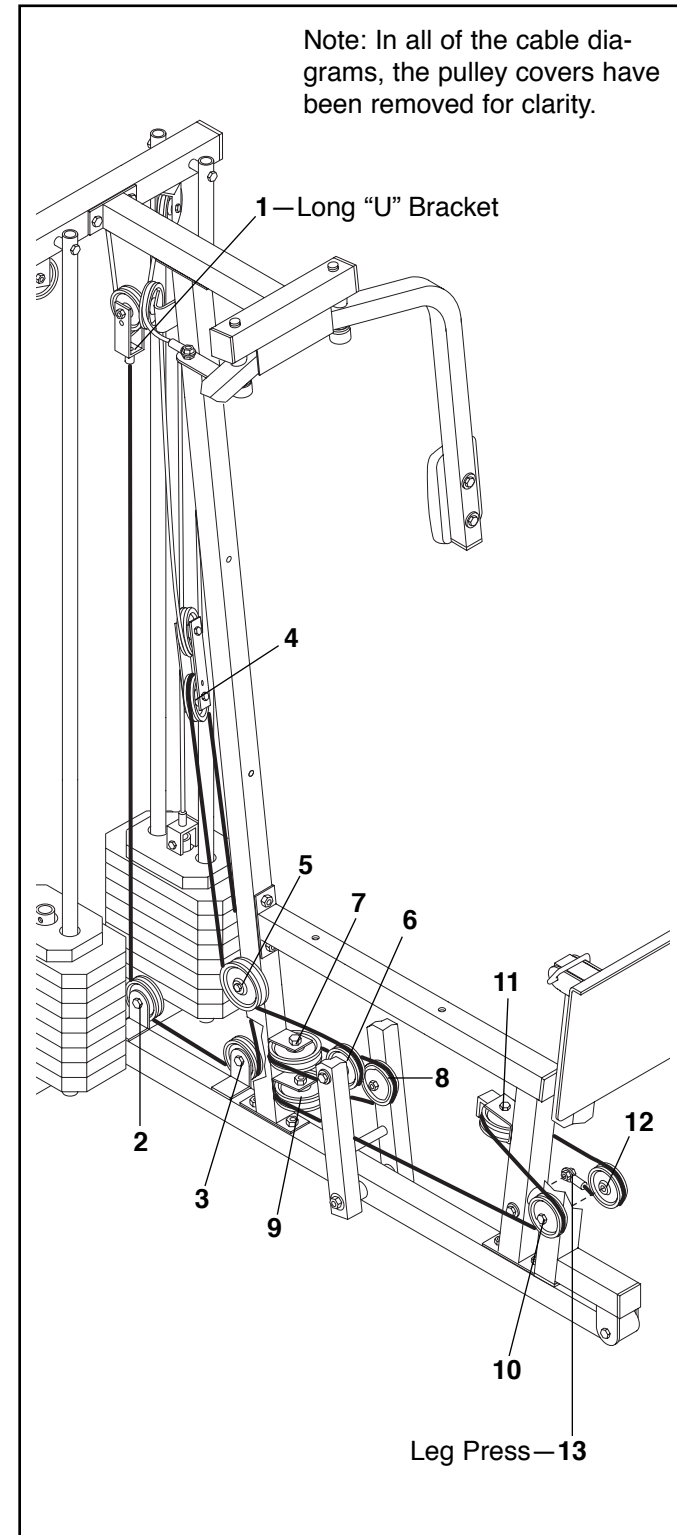
If the cables need to be replaced, see ORDERING REPLACEMENT PARTS on the back cover of this manual.



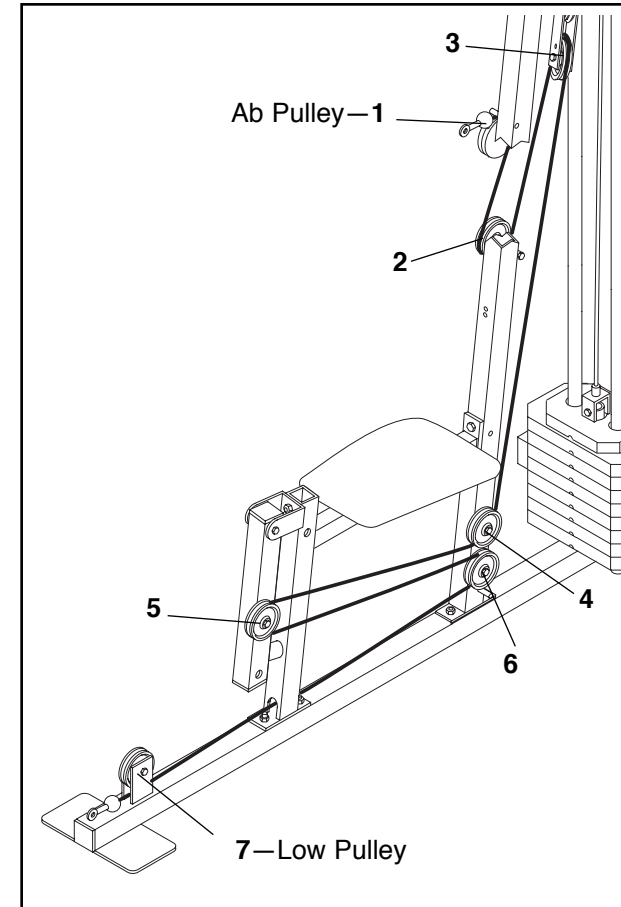
Cable Diagrams

The cable diagrams on this page and the next page show the proper routing of the High Cable (85), the Low Cable (86), the Rear Cable (87), the Press Cable (88), and the Butterfly Cable (89). Use the diagrams to be sure that the Cables have been assembled correctly. The starting and ending points of each Cable have been labeled. The numbers show the proper route for each Cable. **IMPORTANT: If the Cables have not been correctly routed, the training system will not function properly and damage may occur.**

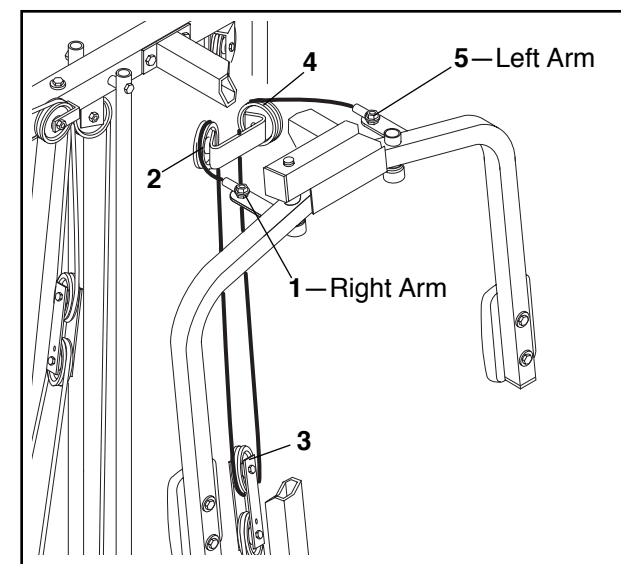
Press Cable (88)



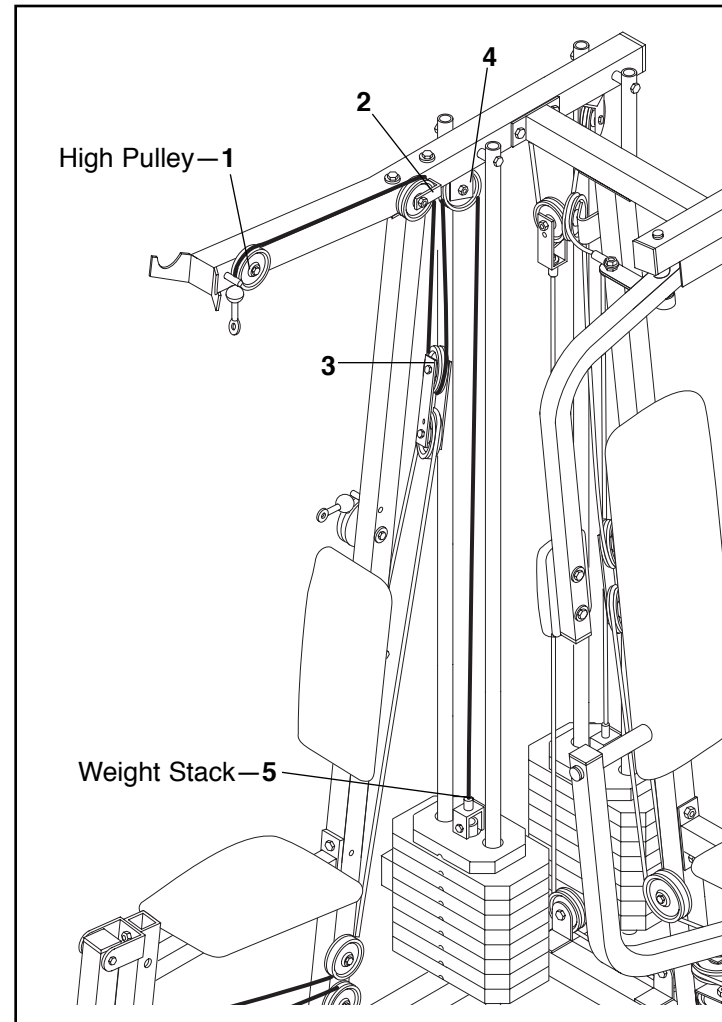
Low Cable (86)



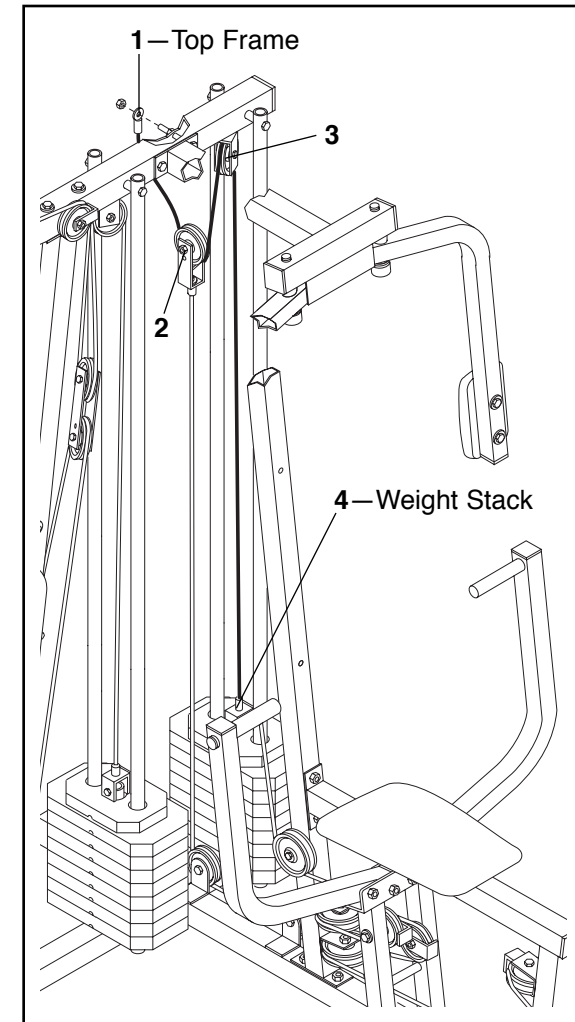
Butterfly Cable (89)

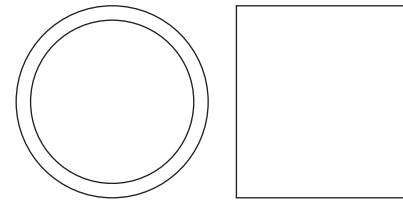


High Cable (85)

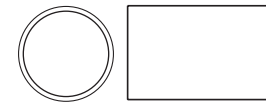


Rear Cable (87)

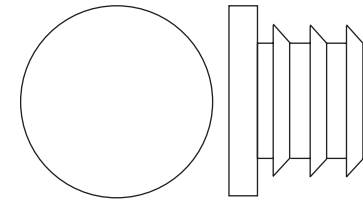




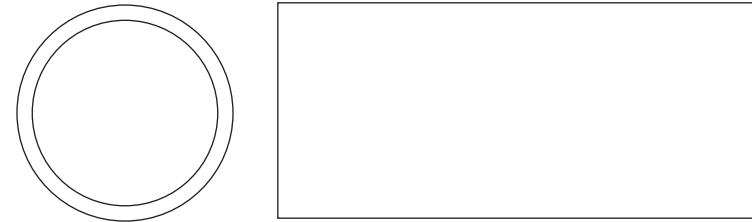
1" x 7/8" Plastic Bushing (54)



1/2" x 3/4" Spacer (69)



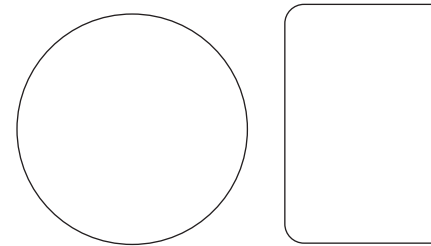
1" Round Inner Cap (70)



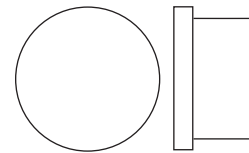
1 1/8" x 2 1/2" Plastic Bushing (47)



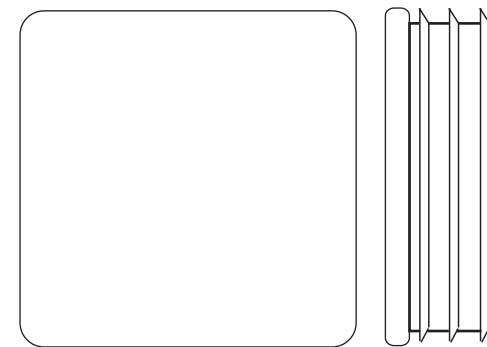
1 1/2" Square Inner Cap (57)



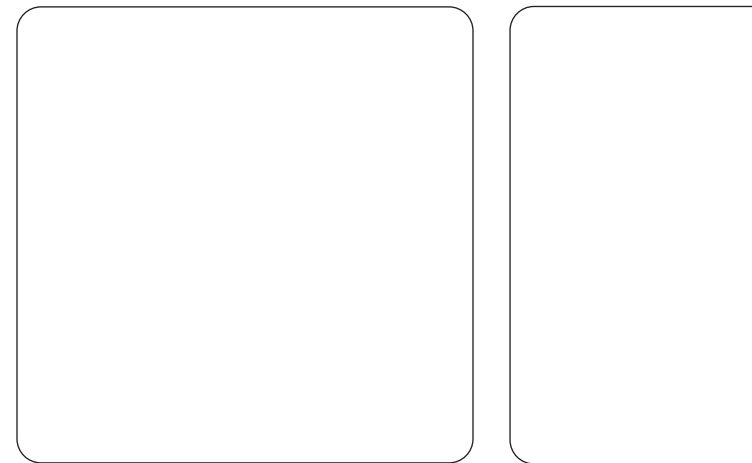
1" Round Outer Cap (46)



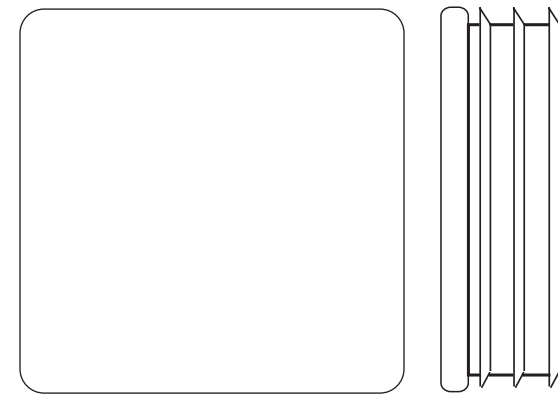
3/4" Round Inner Cap (78)



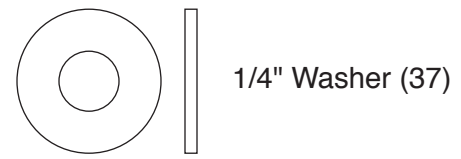
1 3/4" Square Inner Cap (48)



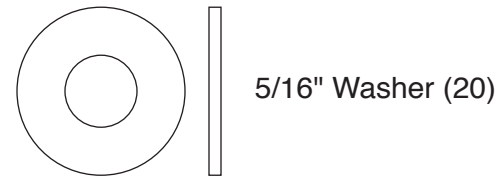
2" Square Outer Cap (58)



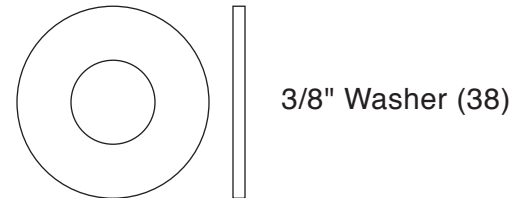
2" Square Inner Cap (56)



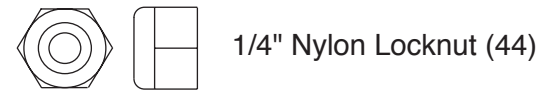
1/4" Washer (37)



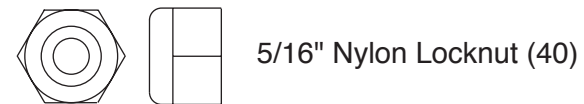
5/16" Washer (20)



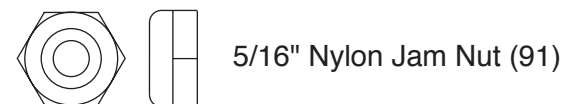
3/8" Washer (38)



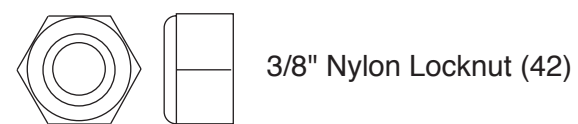
1/4" Nylon Locknut (44)



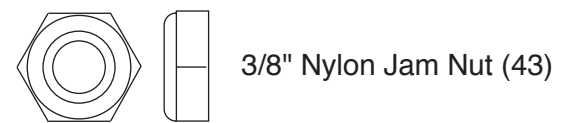
5/16" Nylon Locknut (40)



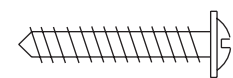
5/16" Nylon Jam Nut (91)



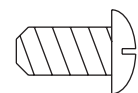
3/8" Nylon Locknut (42)



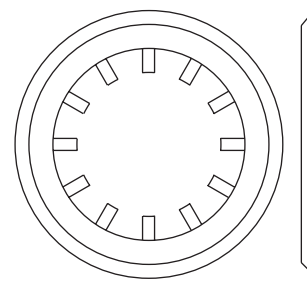
3/8" Nylon Jam Nut (43)



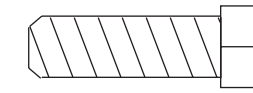
1" Tap Screw (72)



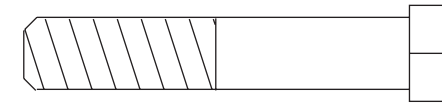
1/4" x 1/2" Screw (59)



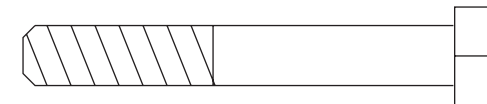
1" Retainer (45)



5/16" x 1" Bolt (97)



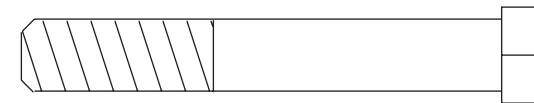
3/8" x 2" Bolt (50)



5/16" x 2 1/4" Bolt (62)



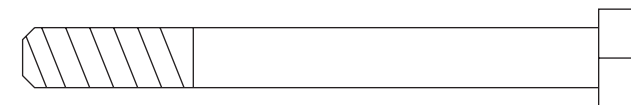
5/16" x 2 1/2" Bolt (39)



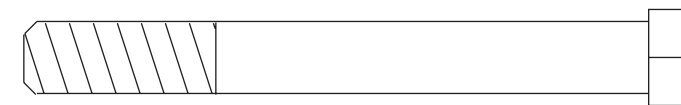
3/8" x 2 1/2" Bolt (65)



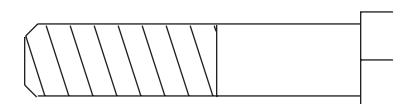
5/16" x 2 3/4" Bolt (55)



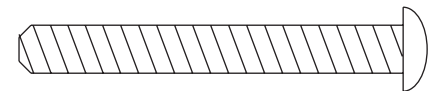
5/16" x 3" Bolt (92)



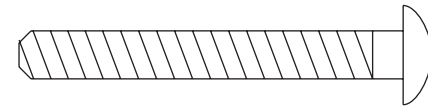
3/8" x 3 1/4" Bolt (71)



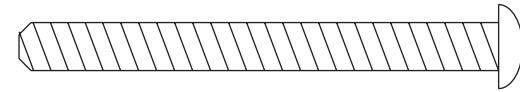
3/8" x 1 3/4" Bolt (66)



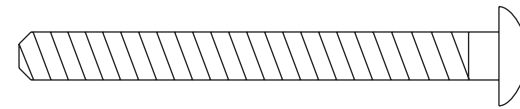
1/4" x 2" Machine Screw (63)



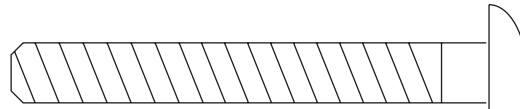
1/4" x 2" Carriage Bolt (61)



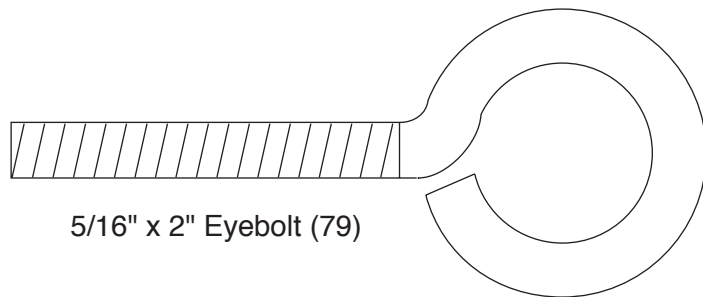
1/4" x 2 1/2" Machine Screw (64)



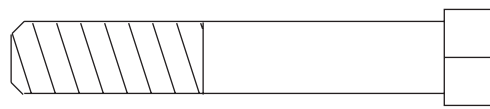
1/4" x 2 1/2" Carriage Bolt (60)



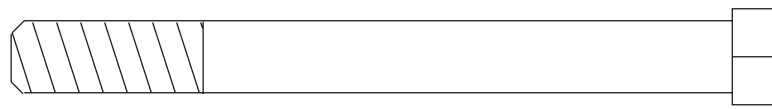
5/16" x 2 1/2" Carriage Bolt (49)



5/16" x 2" Eyebolt (79)



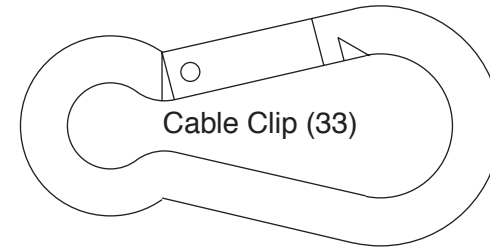
3/8" x 2 1/4" Bolt (99)



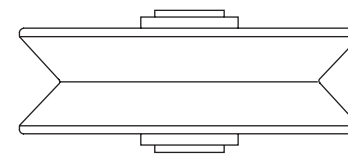
3/8" x 3 3/4" Bolt (76)



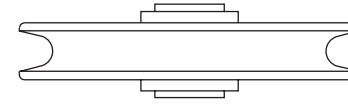
3/8" x 5" Bolt (74)



Cable Clip (33)



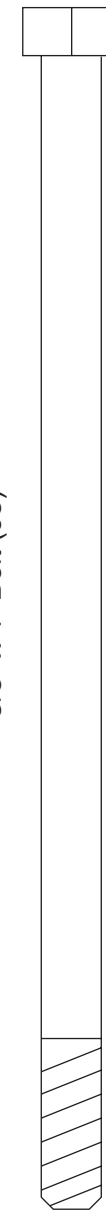
"V" Pulley (81)
(Not shown to scale)



3 1/2" Pulley (82)
(Not shown to scale)



3/8" x 4" Bolt (95)



5/16" x 6" Bolt (67)



3/8" x 8" Bolt (52)

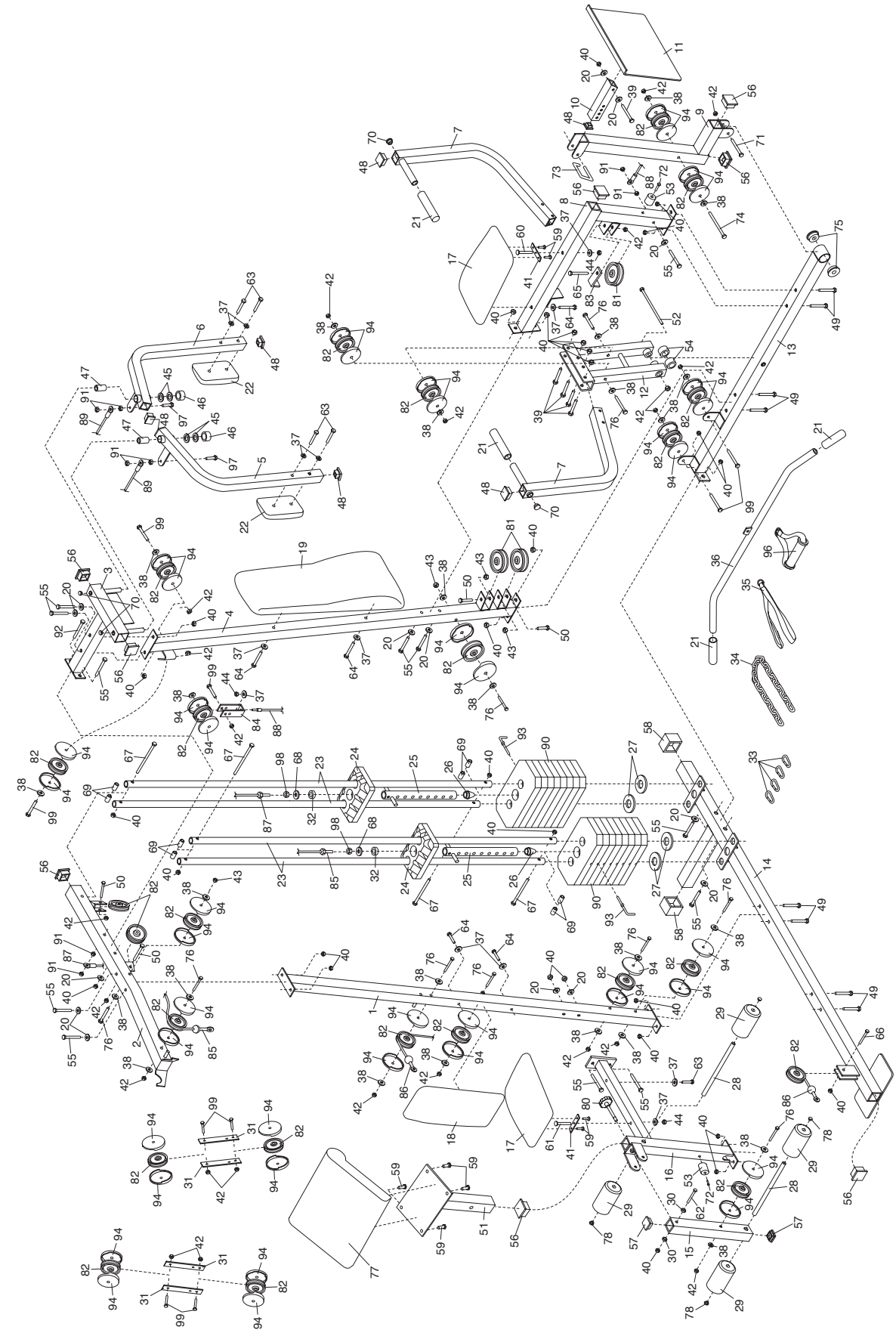
Part List—Model No. WESY93190

R0799A

Key No.	Qty.	Description	Key No.	Qty.	Description
1	1	Ab Upright	52	1	3/8" x 8" Bolt
2	1	Top Frame	53	2	Leg Press Bumper
3	1	Butterfly Frame	54	2	1" x 7/8" Plastic Bushing
4	1	Leg Press Upright	55	12	5/16" x 2 3/4" Bolt
5	1	Right Fly Arm	56	9	2" Square Inner Cap
6	1	Left Fly Arm	57	2	1 1/2" Square Inner Cap
7	2	Press Arm	58	2	2" Square Outer Cap
8	1	Front Seat Frame	59	8	1/4" x 1/2" Screw
9	1	Leg Press Arm	60	1	1/4" x 2 1/2" Carriage Bolt
10	1	Adjustment Tube	61	1	1/4" x 2" Carriage Bolt
11	1	Leg Press Plate	62	2	5/16" x 2 1/4" Bolt
12	1	Press Frame	63	5	1/4" x 2" Machine Screw
13	1	Press Base	64	5	1/4" x 2 1/2" Machine Screw
14	1	Weight Base	65	1	3/8" x 2 1/2" Bolt
15	1	Leg Lever	66	1	3/8" x 1 3/4" Bolt
16	1	Rear Seat Frame	67	4	5/16" x 6" Bolt
17	2	Seat	68	2	1/2" Washer
18	1	Small Backrest	69	8	1/2" x 3/4" Spacer
19	1	Large Backrest	70	4	1" Round Inner Cap
20	17	5/16" Washer	71	1	3/8" x 3 1/4" Bolt
21	4	5" Plastic Grip	72	2	1" Tap Screw
22	2	Butterfly Pad	73	1	Lock Pin
23	4	Weight Guide	74	1	3/8" x 5" Bolt
24	2	Top Weight	75	2	Press Bushing
25	2	Weight Tube	76	10	3/8" x 3 3/4" Bolt
26	2	Weight Tube Bumper	77	1	Curl Pad
27	4	Weight Bumper	78	4	3/4" Round Inner Cap
28	2	Pad Tube	79	1	5/16" x 2" Eyebolt
29	4	Foam Pad	80	1	Adjustment Knob
30	2	Leg Lever Spacer	81	3	"V" Pulley
31	4	Pulley Plate	82	24	3 1/2" Pulley
32	2	1/2" 1 1/4" Weight Spacer	83	1	Large Cable Trap
33	4	Cable Clip	84	1	Large "U" Bracket
34	1	Chain	85	1	High Cable
35	1	Ab Strap	86	1	Low Cable
36	1	Lat Bar	87	1	Rear Cable
37	13	1/4" Washer	88	1	Press Cable
38	14	3/8" Washer	89	1	Butterfly Cable
39	5	5/16" x 2 1/2" Bolt	90	16	Weight
40	31	5/16" Nylon Locknut	91	8	5/16" Nylon Jam Nut
41	2	Seat Plate	92	1	5/16" x 3" Bolt
42	24	3/8" Nylon Locknut	93	2	Weight Pin
43	4	3/8" Nylon Jam Nut	94	42	Pulley Cover
44	3	1/4" Nylon Locknut	95	1	3/8" x 4" Bolt
45	4	1" Retainer	96	1	Nylon Strap
46	2	1" Round Outer Cap	97	2	5/16" x 1" Bolt
47	2	Butterfly Arm Bushing	98	2	1/2" Plain Nut
48	7	1 3/4" Square Inner Cap	99	9	3/8" x 2 1/4" Bolt
49	8	5/16" x 2 1/2" Carriage Bolt	#	1	User's Manual
50	4	3/8" x 2" Bolt	#	1	Exercise Poster
51	1	Curl Post			

Note: "#" indicates a non-illustrated part. Specifications are subject to change without notice.

Exploded Drawing—Model No. WESY93190



Ordering Replacement Parts

To order replacement parts, simply call our Customer Service Department toll-free at 1-800-999-3756, Monday through Friday, 6 a.m. until 6 p.m. Mountain Time (excluding holidays). To help us assist you, please be prepared to give the following information:

1. The MODEL NUMBER of the product (WESY93190)
2. The NAME of the product (WEIDER® PRO 9925 Training System)
3. The SERIAL NUMBER of the product (see the front cover of this manual)
4. The KEY NUMBER and DESCRIPTION of the part(s) (see the PART LIST and EXPLODED DRAWING attached at the center of this manual).

WEIDER is a registered trademark of ICON Health & Fitness, Inc.

Limited Warranty

ICON Health & Fitness, Inc. (ICON), warrants this product to be free from defects in workmanship and material, under normal use and service conditions, for a period of ninety (90) days from the date of purchase. This warranty extends only to the original purchaser. ICON's obligation under this warranty is limited to replacing or repairing, at ICON's option, the product at one of its authorized service centers. All products for which warranty claim is made must be received by ICON at one of its authorized service centers with all freight and other transportation charges prepaid, accompanied by sufficient proof of purchase. All returns must be pre-authorized by ICON. This warranty does not extend to any product or damage to a product caused by or attributable to freight damage, abuse, misuse, improper or abnormal usage or repairs not provided by an ICON authorized service center, products used for commercial or rental purposes, or products used as store display models. No other warranty beyond that specifically set forth above is authorized by ICON.

ICON is not responsible or liable for indirect, special or consequential damages arising out of or in connection with the use or performance of the product or damages with respect to any economic loss, loss of property, loss of revenues or profits, loss of enjoyment or use, costs of removal, installation or other consequential damages of whatsoever nature. Some states do not allow the exclusion or limitation of incidental or consequential damages. Accordingly, the above limitation may not apply to you.

The warranty extended hereunder is in lieu of any and all other warranties and any implied warranties of merchantability or fitness for a particular purpose is limited in its scope and duration to the terms set forth herein. Some states do not allow limitations on how long an implied warranty lasts. Accordingly, the above limitation may not apply to you.

This warranty gives you specific legal rights. You may also have other rights which vary from state to state.

ICON HEALTH & FITNESS, INC., 1500 S. 1000 W., LOGAN, UT 84321-9813