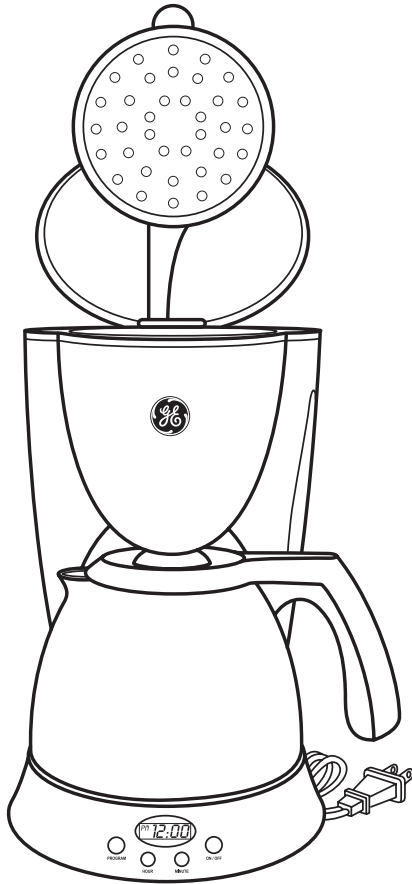




# GE 8-Cup Thermal Carafe Coffee Maker with Digital Clock/Timer

**Item Stock Number**  
**168965**

**UPC:**  
**68113168965 (6)**



|                                      |          |   |           |
|--------------------------------------|----------|---|-----------|
| <b>Coffee Maker Safety</b> .....     | <b>2</b> | <b>Setting the Clock/Timer</b> .....    | <b>7</b>  |
| <b>Know Your Coffee Maker</b> .....  | <b>5</b> | <b>Cleaning Your Coffee Maker</b> ..... | <b>10</b> |
| <b>Using Your Coffee Maker</b> ..... | <b>6</b> | <b>Customer Assistance</b> .....        | <b>12</b> |

[www.gehousewares.com](http://www.gehousewares.com)

**For Customer Assistance Please Call: 1-877-207-0923**

# 8-Cup Thermal Carafe Coffee Maker Safety

## IMPORTANT SAFEGUARDS

When using electrical appliances, basic safety precautions should always be followed, including the following:

1. Read all instructions.
2. Do not touch hot surfaces.  
Use handles or knobs.
3. To protect against electric shock do not place cord, plugs, or appliance in water or other liquid.
4. Close supervision is necessary when any appliance is used by or near children.
5. Unplug from outlet when not in use and before cleaning. Allow to cool before putting on or taking off parts, and before cleaning the appliance.
6. Do not operate any appliance with a damaged cord or plug or after the appliance malfunctions, or has been damaged in any manner. Contact Consumer Service for examination, repair or adjustment.
7. The use of an accessory not evaluated for use with this appliance may cause injuries.
8. Do not use outdoors.
9. Do not let cord hang over edge of table or counter, or touch hot surfaces.
10. Do not place on or near a hot gas or electric burner, or in a heated oven.
11. To disconnect, press the on/off switch to off, then remove plug from wall outlet.
12. Do not use appliance for other than intended use.
13. Be certain Lids are securely in place before operating appliance.
14. Scalding may occur if the lid is removed during the brewing cycles.
15. This thermal carafe is designed for use with this appliance. It must never be used on a range top.
16. Do not use cracked thermal carafe or a thermal carafe having a loose or weakened handle.
17. Do not clean thermal carafe with cleansers, steel wool pads, or other abrasive material.

## SAVE THESE INSTRUCTIONS!

For Household Use Only.

## ADDITIONAL IMPORTANT SAFEGUARDS

**WARNING:** This appliance generates heat and escaping steam during use. Use proper precautions to prevent the risk of burns, fires, or other injury to persons or damage to property.

1. All users of this appliance must read and understand this Owner's Manual before operating or cleaning this appliance.
2. The cord to this appliance should be plugged into a 120V AC electrical outlet only.
3. Use **water and coffee only** in this appliance! Do not put any other liquids or food products (other than coffee) in this appliance. Do not mix or add anything to the water placed in this appliance, except as instructed in the User Maintenance Instructions to clean the appliance.
4. **DO NOT** attempt to move the base of the appliance while it is hot. Allow appliance to cool completely before moving.
5. Keep appliance at least 4 inches away from walls or other objects during operation. Do not place any objects on top of appliance while it is operating. Place the appliance on a surface that is resistant to heat.
6. If this appliance begins to malfunction during use, immediately unplug the cord. Do not use or attempt to repair the malfunctioning appliance.
7. If this appliance falls or accidentally becomes immersed in water or any other liquid, unplug it immediately. **Do not reach into the water! Do not use this appliance after it has fallen into or has become immersed in water.** Contact Consumer Service for examination and repair.
8. Do not leave this appliance unattended during use.
9. The appliance must be left to cool down sufficiently before adding more water to avoid splattering. Always use fresh, cool water in your appliance. Warm water or other liquids, except as listed in cleaning section, may cause damage to the appliance.
10. **DO NOT** put Thermal Carafe into a microwave.
11. **DO NOT** lift Filter Basket Lid until brewing is complete, and all parts have cooled.
12. The Thermal Carafe is designed for use with this appliance. It must never be used on a range top. Do not use a damaged Thermal Carafe.
13. To prevent injury when utilizing the Auto Pause and Pour feature, replace thermal carafe within (1) one minute of removing during brewing process.

---

## Consumer Safety Information

**SHORT CORD INSTRUCTIONS:** A short power supply cord is provided to reduce the risk resulting from becoming entangled in or tripping over a longer cord.

Do not use an extension cord with this product.

**POLARIZED PLUG:** This appliance has a polarized plug (one blade is wider than the other). To reduce the risk of electric shock, this plug is intended to fit in a polarized outlet only one way. If the plug does not fit fully in the outlet, reverse the plug. If it still does not fit, contact a qualified electrician. Do not attempt to modify the plug in any way.

**ELECTRIC POWER:** If the electrical circuit is overloaded with other appliances, your appliance may not operate properly. It should be operated on a separate electrical circuit from other appliances.

**WARNING: TO REDUCE THE RISK OF FIRE OR ELECTRIC SHOCK, DO NOT REMOVE THE BOTTOM COVER. NO USER-SERVICEABLE PARTS INSIDE. REPAIR SHOULD BE DONE BY AUTHORIZED SERVICE PERSONNEL ONLY.**

---

## Before Using Your GE 8-Cup Thermal Carafe Coffee Maker

**CAUTION:** Before using your GE 8-Cup Thermal Carafe Coffee Maker for the first time, we suggest you become familiar with all of its parts. Read all instructions and cautions carefully.

**IMPORTANT:** Never place thermal carafe on a hot stove or in a microwave. Never let the thermal carafe stand in water for a long period of time.

Before brewing coffee, clean the Thermal Carafe and removable Filter Basket in warm, soapy water. Reassemble coffee maker and place

Thermal Carafe in place for brewing. Plug unit into outlet. Brew 8 cups of fresh water only. Follow procedures for "Brewing" (without coffee) on page 6. When all the water has brewed into the carafe, switch the coffee maker OFF. The indicator light will turn off. Wait 15 minutes to allow heating element to cool, discard the water from the thermal carafe. Repeat the process once. The unit is now ready for regular use.

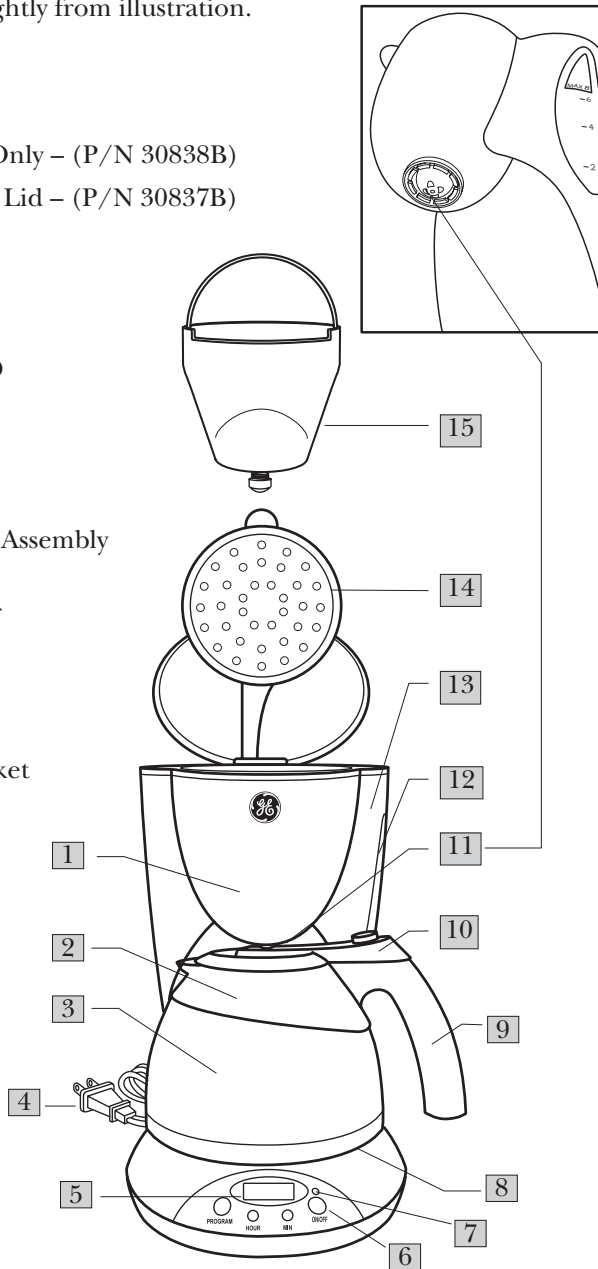
**CAUTION:** Do not immerse cord, plug, or coffee maker unit in water or other liquids.

# Know Your 8-Cup Thermal Carafe Coffee Maker

## Parts Identification

Your product may vary slightly from illustration.

- 1 Filter Basket Holder
- 2 Thermal Carafe Lid Only – (P/N 30838B)
- 3 Thermal Carafe With Lid – (P/N 30837B)
- 4 Polarized plug
- 5 Digital Clock/Timer
- 6 ON/OFF Button
- 7 Illuminating ON LED
- 8 Base Plate
- 9 Carafe Handle
- 10 Carafe Lid Handle
- 11 Auto Pause and Pour Assembly (P/N 30819B)
- 12 Water Level Indicator (on side, not shown)
- 13 Water Reservoir
- 14 Coffee Maker Lid
- 15 Removable Filter Basket (P/N 30820B)

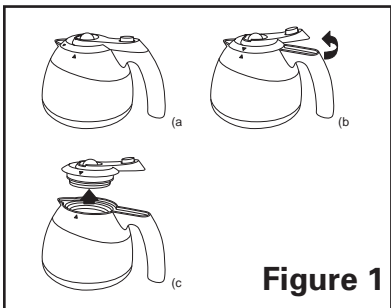


# Using Your 8-Cup Thermal Carafe Coffee Maker with Digital Clock/Timer

## Brewing

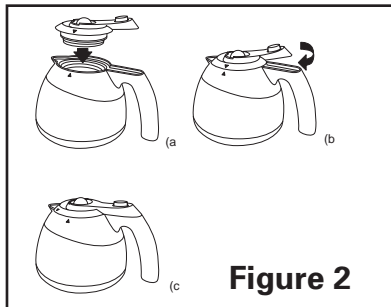
**IMPORTANT:** Place coffee maker on a level surface.

1. Plug the appliance into a standard 120 V AC electrical outlet.
2. Make sure unit is in the OFF position. The Indicator Light will be off.
3. Remove the Carafe from the Base Plate.
4. Remove Carafe Lid by turning the Carafe Lid handle counter-clockwise until the arrow on the Carafe Lid is aligned with the arrow on the Carafe. Lift Carafe Lid off. (See Figure 1).



**Figure 1**

5. Fill the Carafe with cold water. Lift the Coffee Maker Lid on top of the coffee maker and slowly pour the water from the Thermal Carafe into the Water Reservoir to the level for the desired number of cups (1-8). Replace Carafe Lid by aligning arrows on Carafe Lid and Carafe body and turn clockwise until handles are aligned (see Figure 2).



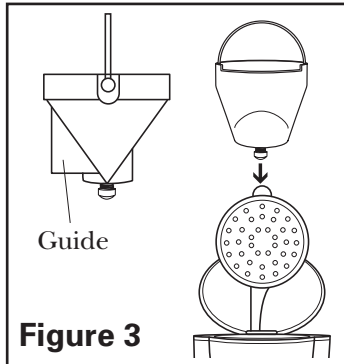
**Figure 2**

6. Extend the Removable Filter Basket handle to lift the Removable Filter Basket straight up and out of the coffee maker. Insert a #4 cone shaped paper coffee filter (or a permanent gold filter) inside the Removable Filter Basket.
7. Place coffee grounds in the filter, using one level tablespoon of drip grind coffee for each cup of brewed coffee.
8. While holding Filter Basket Handle up as in Figure 3 (page 7), turn the Filter Basket so that the 2 guides are facing away from you. See Figure 3 (page 7). Firmly replace the Removable Filter Basket by pushing it down into the Filter Basket Holder with the handle in the upright position. Make sure it fits snugly so the Coffee Maker Lid will close properly. Fold the handle down toward you. When the handle is folded down, it activates latches on the side of the Removable Filter Basket and locks it into place. Close the Coffee Maker Lid ensuring it snaps securely into place.

9. Make sure Carafe Lid is properly secured onto Carafe. When you replace the Thermal Carafe onto the Base Plate, the Carafe will snap easily into position under the Auto Pause and Pour Assembly.

10. The LCD will flash "12:00" until you set the time. The ON light should be OFF. If it is accidentally lit, press the ON/OFF button once and the ON light will turn OFF.

Turn guides to face the rear of the coffee maker.



Firmly replace the Removable Filter Basket by pushing it down into the Filter Basket Holder with the handle in the upright position. Make sure it fits snugly so the Coffee Maker Lid will close properly (Lid will snap into place).

### Helpful Hints for Brewing

- Always use fresh, cold water for brewing. In areas with hard water or where water contains a high mineral content, use cold filtered water for optimal coffee taste.
- For best results, use a premium, fine grind, roast coffee.
- Use a #4 paper cone filter or a permanent gold filter.

## Setting the Clock/Timer

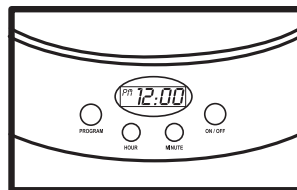
### Setting the Clock

1. Plug the power cord into a wall outlet. The display will flash until the time of day is set.

**NOTE:** A power failure will also cause the display to flash and it will be necessary to reset the clock.

2. To set the clock, hold the HOUR button in for 3 to 5 seconds until the hour setting begins to change. Press the HOUR button until the correct hour is displayed, noting that PM is indicated on the left of the display.

3. Press the MIN button until the correct minutes are displayed. A few seconds after you release the button, the colon between the hour and the minutes will begin to flash, indicating that the clock is running.



---

## Setting the Timer

1. While holding the PROGRAM button down, press and hold the HOUR button until the hour display begins to change. The coffee cup icon on the left of the display will flash to indicate you are programming the timer. Continue to press the HOUR button until the correct hour is displayed for the brew time you would like to set, noting that PM is indicated on the left of the display.
2. While holding down the PROGRAM button, press the MIN button in the same way until the desired brew time is shown.
3. After the brew time is set, press PROGRAM again to return the display to time of day.
4. Pressing the PROGRAM button toggles the timer on and off. The coffee cup icon indicates when the timer is on.

## *To Start Brewing Coffee Immediately*

---

For optimal holding temperature, rinse the inside of Thermal Carafe with warm water before brewing; empty and make sure Carafe Lid is properly secured onto Carafe. Place Carafe securely onto coffee maker.

Press the ON/OFF button. The ON LED will illuminate as the coffee maker begins brewing the coffee. Once the brewing cycle is complete the coffee maker will turn OFF automatically.

Once brewing is complete, carefully remove Thermal Carafe from Base Plate. To pour coffee, press button on Carafe Lid Handle.

## *To Start Brewing Coffee at the Programmed Time*

---

At the programmed time, the coffee maker will turn itself on automatically. The ON light will turn on as the coffee maker begins brewing and coffee will begin flowing into the Thermal Carafe. Once the brewing cycle is complete the coffee maker will turn OFF automatically.

Once brewing is complete, carefully remove Thermal Carafe from Base Plate. To pour coffee, press button on Carafe Lid Handle.

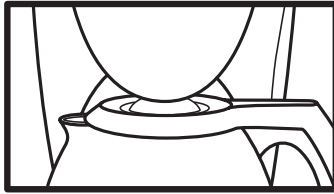
**NOTE:** The amount of coffee in the Carafe may be slightly less than the amount of water placed in the Water Reservoir, since some of the water is absorbed by the coffee grounds.



## *Auto Pause and Pour Feature*

---

Remove the Thermal Carafe from the Base Plate. Always keep the Carafe Lid on the Carafe when pouring the coffee.



**IMPORTANT:** When using the Auto Pause and Pour Feature while the coffee maker is still brewing, **the Thermal Carafe with Lid must be replaced on the Base Plate, under the Filter Basket within (1) one minute to prevent the Filter Basket from overflowing.**

## *To Brew a Second Pot of Coffee*

---

To brew a second pot of coffee, wait 15 minutes and allow it to cool. Empty used coffee grounds and repeat steps for brewing coffee.

**CAUTION:** Failure to allow coffee maker to cool may cause water to overheat and spray hot steam. The hot steam can cause severe burns.

## *User Maintenance Instructions*

---

This appliance requires little maintenance. It contains NO user serviceable parts. Do not try to repair it yourself. Contact a qualified appliance repair technician if the product requires servicing.

# *Use and Care for Your 8-Cup Thermal Coffee Maker*

---

A damaged Thermal Carafe may result in possible burns from hot liquid. To avoid breaking a Carafe:

1. Discard Carafe if damaged in any manner. A chip or crack could result in breakage.
2. Do not use cleaning agents or wire bottle brushes to clean the inside of the Thermal Carafe.
3. Do not place the Carafe on or near a hot gas or electric burner, in a heated oven, or in a microwave.
4. Avoid rough handling and sharp blows.

## *Cleaning Your 8-Cup Thermal Coffee Maker*

---

### **Care and Cleaning**

1. Make sure coffee maker is in the OFF position. The Power Indicator Light will be off.
2. Unplug and allow to cool completely before cleaning.
3. Lift the Coffee Maker Lid and remove the Removable Filter Basket by the handle. Discard coffee grounds and paper filter. Wash and dry all removable parts.
4. Mineral deposits can be removed from the coffee maker by following the "Descaling" instructions. No parts should be cleaned in a dishwasher.
5. Clean the outside of the coffee maker with a damp cloth.  
**CAUTION: Do not immerse cord, plug, or coffee maker unit in water or other liquid.**

---

## Descaling

We recommend that you descale your coffee maker once a month because mineral deposits can form a coating in the coffee maker, causing slower brewing time and possibly an off flavor in the coffee. Use a cleaner recommended for coffee makers. To descale your unit:

1. Place a paper filter into the Removable Filter Basket. Make sure the Removable Filter Basket fits securely so Coffee Maker Lid closes properly (Lid will snap into place).
2. Fill Carafe with one part white vinegar to three parts cold water. Pour the water and vinegar solution into the Water Reservoir.
3. Place the empty Thermal Carafe with Lid on the Base Plate. Plug the coffee maker into an outlet and switch the coffee maker ON.
4. Keep the coffee maker ON until the Thermal Carafe is half full. (At 4 cup mark on Water Level Indicator.) Switch the coffee maker OFF and let cool for 1/2 hour.
5. After 1/2 hour, pour the water and vinegar solution back into the coffee maker.
6. Place an empty Thermal Carafe with Lid on the Base Plate. Switch the coffee maker ON and let all the water and vinegar solution flow through.
7. Discard the solution and paper filter.
8. After allowing the coffee maker to cool for 15 minutes, flush out all the traces of vinegar by pouring a Carafe full of cold water into the Water Reservoir. Make sure to insert a fresh filter into the Filter Basket before brewing and place the empty Thermal Carafe with Lid on the Base Plate. Switch the coffee maker ON and allow it to cycle through.
9. At the end of the brew cycle, the coffee maker will automatically shut off. Discard water in the Thermal Carafe. Repeat steps 8-9. Unplug the coffee maker when finished.

# Customer Assistance

If you have a claim under this warranty, please call our Customer Assistance Number. For faster service please have model, series, and type numbers ready for operator to assist you. These numbers can be found on the bottom of your coffee maker.

**Item Stock Number: 168965**

**Customer Assistance Number 1-877-207-0923**  
**Keep this number for future reference!**

---

## Two-Year Limited Warranty

### What does your warranty cover?

- Any defect in material or workmanship.

### For how long after the original purchase?

- Two years.

### What will we do?

- Provide you with a new one.

### How do you make a warranty claim?

- Save your receipt.
- Properly pack your unit. We recommend using the original carton and packing materials.
- Return the product to your nearest WAL★MART store or call Customer Assistance at 1-877-207-0923.

### What does your warranty not cover?

- Commercial use.
- Damage from misuse, abuse, or neglect.
- Products which have been modified or incorporated into other products.
- Products purchased or serviced outside the USA.

### How does state law relate to this warranty?

- This warranty gives you specific legal rights, and you may also have other rights which vary from state to state.

### What if you purchased this product in the USA, Canada, or Mexico and encounter a problem while using it outside the country of purchase?

- The warranty is valid only in the country of purchase and if you follow the warranty claim procedure as noted.



is a trademark of  
 General Electric Company  
 and is used under license by  
 WAL★MART Stores, Inc.  
 Bentonville, AR 72716

168965

WAL★MART Stores, Inc.  
 Bentonville, AR 72716

Country of Origin  
 Made in China

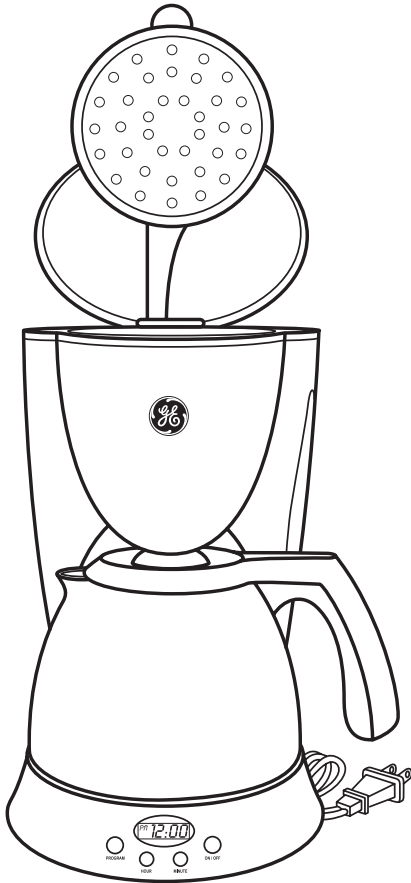
P/N 61370  
 8/03



# Cafetera GE con garrafa térmica para 8 tazas con reloj/temporizador digital

**Número de stock del artículo 168965**

*UPC:*  
**68113168965 (6)**



|  |           |  |           |
|--|-----------|--|-----------|
| <b>La seguridad de su cafetera</b> ..... | <b>14</b> | <b>Programando el reloj/temporizador</b> ... | <b>19</b> |
| <b>Conozca su cafetera</b> .....         | <b>17</b> | <b>Limpiando la cafetera</b> .....           | <b>22</b> |
| <b>Usando su cafetera</b> .....          | <b>18</b> | <b>Servicio al cliente</b> .....             | <b>24</b> |

[www.gehousewares.com](http://www.gehousewares.com)

**Para servicio al cliente por favor llame al:  
1-877-207-0923 (Válido sólo en E.U.A.)**

# *La seguridad de su cafetera con garrafa térmica para 8 tazas*

## **MEDIDAS DE SEGURIDAD IMPORTANTES**

Cuando se utilizan aparatos eléctricos, siempre deben tomarse precauciones básicas de la seguridad, incluyendo las siguientes:

1. Lea todas las instrucciones.
2. No toque las superficies calientes. Utilice las asas o perillas.
3. Para evitar una electrocución, no sumerja en el agua o en cualquier otro líquido el aparato, el cable o la clavija.
4. Es necesario mantener una estricta vigilancia si este aparato va a ser utilizado cerca de niños.
5. Desconecte el aparato del tomacorriente cuando no vaya a ser utilizado y antes de limpiarlo. Déjelo enfriar antes de añadir o quitar alguna de sus partes y antes de limpiarlo.
6. No utilice aparatos cuyo cable o clavija estén dañados, o si el aparato presentara problemas de funcionamiento, o si el aparato se hubiera caído o hubiera sido dañado de alguna manera. Llame al Servicio al Consumidor para una revisión, reparación o ajuste.
7. El uso de un accesorio que no ha sido evaluado para su uso con este aparato puede ocasionarle daños.
8. No utilice el aparato a la intemperie.
9. No permita que el cable cuelgue fuera del borde de la mesa o la mesada, o esté en contacto con superficies calientes.
10. No coloque el aparato sobre o cerca de un quemador de gas o eléctrico calientes, o dentro de un horno caliente.
11. Para desconectar el aparato, presione el interruptor de encendido/apagado (ON/OFF) colocándolo en off, luego desenchúfelo del tomacorriente de la pared.
12. No use el aparato para otra aplicación que no sea la sugerida.
13. Asegúrese de que las tapas estén bien cerradas y en su lugar antes de comenzar a usar el aparato.
14. Podría quemarse si removiera la tapa mientras se está llevando a cabo el ciclo de preparación del café.
15. Esta garrafa térmica ha sido diseñada para ser usada con este aparato. Nunca debe ser usada para calentar el café sobre su estufa.
16. No use una garrafa térmica que se encuentre resquebrajada o que tenga el asa floja o debilitada.
17. No limpie la garrafa térmica con limpiadores, virutas de acero, u otros materiales para la limpieza de tipo abrasivo.

## **¡GUARDE ESTAS INSTRUCCIONES!**

Este aparato está diseñado solo para uso doméstico.

## MEDIDAS DE SEGURIDAD ADICIONALES IMPORTANTES

**ADVERTENCIA:** Este aparato genera calor y escapes de vapor durante su uso. Tome las precauciones apropiadas para prevenir el riesgo de quemaduras, incendios, u otras lesiones a las personas o daños a la propiedad.

1. Todos los usuarios de este aparato deben leer y entender este Manual del Usuario antes de operar o limpiar este aparato.
2. El cable de este aparato sólo deberá ser enchufado a un tomacorriente eléctrico de 120V AC.
3. ¡Sólo use agua y café en este aparato! No ponga cualquier otro líquido o alimentos (con excepción de café) en el aparato. No mezcle o agregue cosas al agua puesta en este aparato, excepto cuando siga las Instrucciones de Mantenimiento del Usuario para limpiar el aparato.
4. NO intente mover la base del aparato cuando esta caliente. Permita que se enfríe completamente antes de moverla.
5. Mantenga el aparato por lo menos a 10 cm de distancia de paredes u otros objetos durante el funcionamiento. No ponga ningún objeto encima del aparato mientras está operando. Ubique el aparato sobre una superficie que sea resistente al calor.
6. Si este aparato empieza a tener un funcionamiento defectuoso durante el uso, inmediatamente desenchufe el cable. No use o intente reparar el aparato si está funcionando mal.
7. Si este aparato se cae o accidentalmente se sumerge en agua o en cualquier otro líquido, desenchúfelo inmediatamente. ¡No meta la mano en el agua! No use este aparato después de que se haya caído o sumergido en el agua. Avise al Servicio de Atención al Consumidor para realizar el examen y la reparación.
8. No deje este aparato desatendido durante el uso.
9. El aparato debe dejarse enfriar lo suficiente antes de agregar más agua, para evitar las salpicaduras. Siempre use agua fresca y fría en su aparato. El agua tibia u otros líquidos, excepto los listados en la sección de limpieza, pueden causar daño al aparato.
10. NO ponga las garrafas térmicas en un horno de microondas.
11. NO alce la tapa del cesto del filtro hasta que la preparación esté completa, y hasta que todas las partes se hayan enfriado.
12. Las garrafas térmicas han sido diseñadas para su uso con este aparato. Ellas nunca deben usarse en la parte superior de su estufa. No use una garrafa térmica que estén dañadas.
13. Para evitar lesiones cuando utilice las características de Pausa automática y Vertedor, vuelva a colocar la garrafa térmica dentro del minuto (1) de haber sacado la garrafa durante el proceso de preparación del café.

---

## Información de seguridad para el consumidor

### **INSTRUCCIONES PARA EL CABLE**

**CORTO:** Se incluye un cable eléctrico corto para reducir el riesgo de lesiones personales resultantes de enredarse o tropezar con un cable eléctrico demasiado largo.

No use cables de extensión con este producto.

**CLAVIJA POLARIZADA:** Este aparato tiene una clavija polarizada (una de las dos patas es más ancha que la otra). Como una medida de seguridad para reducir el riesgo de electrocución, esta clavija está diseñada para conectar solamente de una manera en un tomacorriente polarizado. Si la clavija no conecta completamente en el tomacorriente, inviértala. Si aún no conecta bien, consulte con un electricista calificado. No intente alterar esta medida de seguridad.

**CORRIENTE ELÉCTRICA:** Si el circuito eléctrico está sobrecargado con otros aparatos, puede que su aparato no funcione correctamente. Este debería usar un circuito eléctrico separado del resto de los aparatos.

**ADVERTENCIA: PARA REDUCIR EL RIESGO DE FUEGO O ELECTROCUCIÓN, NO quite el COBERTOR DE LA BASE. EN SU INTERIOR HAY PARTES QUE NO ESTÁN SUJETAS A REPARACIÓN POR PARTE DEL USUARIO. LA REPARACIÓN DEBERÍA SER HECHA SÓLO POR PERSONAL DE SERVICIO AUTORIZADO.**

---

## Antes de usar su cafetera GE con garrafa térmica para 8 tazas

**PRECAUCIÓN:** Antes de usar su Cafetera GE con Garrafa Térmica para 8 tazas por primera vez, nosotros le sugerimos que se familiarice con todas sus partes. Lea todas las instrucciones y precauciones cuidadosamente.

**IMPORTANTE:** Nunca coloque la garrafa térmica en una estufa caliente o en un horno de microondas. Nunca permita que la garrafa térmica quede dentro del agua para largos períodos de tiempo.

Antes de preparar el café, limpie la garrafa térmica, y el Cesto del Filtro removible con agua tibia y jabonosa. No sumerja la garrafa térmica ni la tapa. Vuelva a montar la cafetera y coloque la garrafa térmica en el lugar correspondiente para preparar el café. Enchufe la unidad en el toma-

corriente. Llene la cafetera con sólo 8 tazas de agua fresca. Siga los procedimientos para "Preparación de café" (sin el café) en la página 18. Cuando toda el agua haya pasado a la garrafa, apague la cafetera (colocando el interruptor de encendido en posición OFF). El indicador luminoso se apagará. Espere 15 minutos para permitir que se enfríe el calentador, deseche el agua de la garrafa térmica. Repita el proceso una vez más. La unidad está ahora lista para su uso regular.

**PRECAUCIÓN:** No sumerja el cable, la clavija, o la cafetera en agua u otros líquidos.

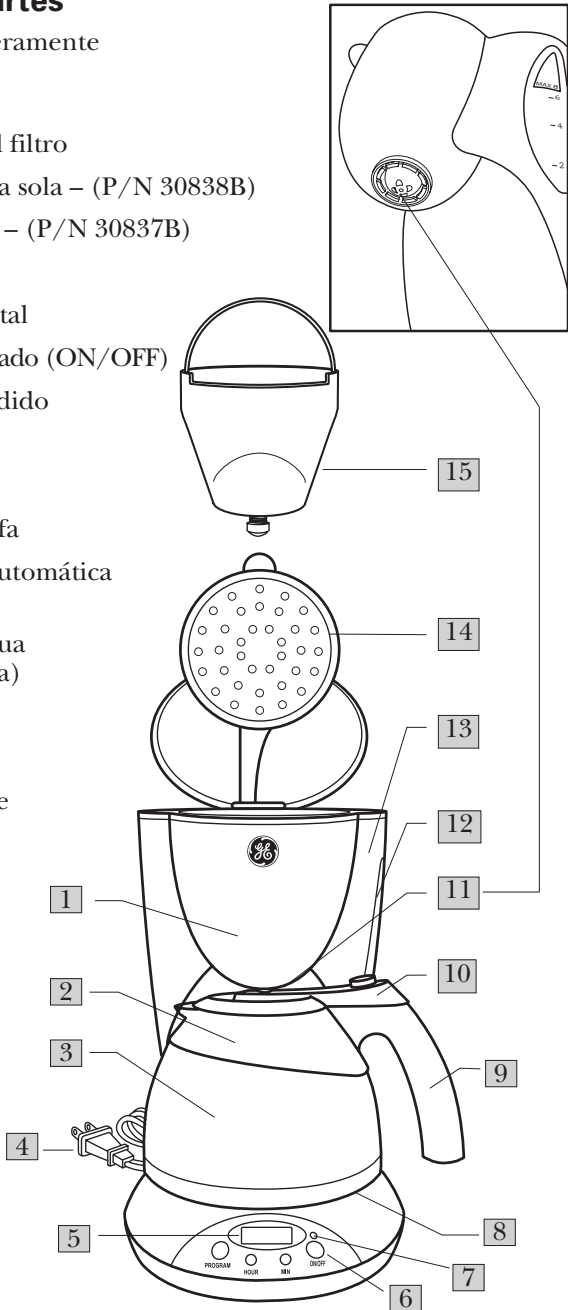


# Conozca su cafetera GE con garrafa térmica para 8 tazas

## Identificación de las partes

Su producto puede variar ligeramente con respecto a la ilustración.

- 1 Receptáculo del cesto del filtro
- 2 Tapa de la garrafa térmica sola – (P/N 30838B)
- 3 Garrafa térmica con tapa – (P/N 30837B)
- 4 Clavija polarizada
- 5 Reloj/Temporizador digital
- 6 Botón de encendido/apagado (ON/OFF)
- 7 LED Indicador de encendido
- 8 Placa de la base
- 9 Asa de la garrafa
- 10 Asa de la tapa de la garrafa
- 11 Ensamblaje de la pausa automática y vertedor (P/N 30819B)
- 12 Indicador del nivel de agua (al costado, no se muestra)
- 13 Cámara de agua
- 14 Tapa de la cafetera
- 15 Cesto del Filtro removible (P/N 30820B)

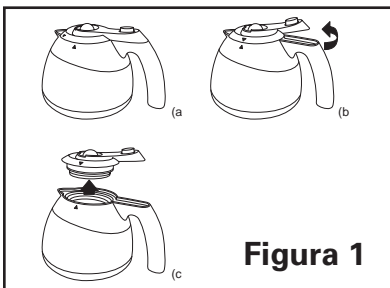


# Usando su cafetera GE con garrafa térmica para 8 tazas con preparación programable por reloj/temporizador digital

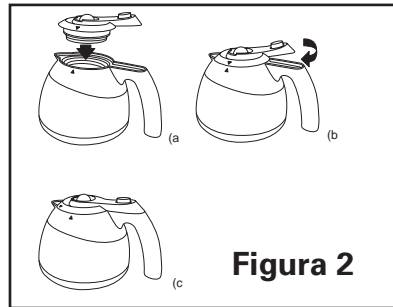
## Preparando el Café

**IMPORTANTE:** Coloque la cafetera sobre una superficie nivelada.

1. Enchufe el aparato en un tomacorriente eléctrico estándar de 120V AC.
2. Asegúrese de que la unidad esté en la posición OFF (apagada). La luz del indicador estará apagada.
3. Saque la Garrafa de la Placa de la Base
4. Saque la Tapa de la Garrafa por medio de un giro del Asa de la Tapa de la Garrafa en sentido contrario al de las agujas del reloj hasta que la flecha en la Tapa de la Garrafa esté alineada con la flecha que se encuentra en la Garrafa. Alce la tapa de la Garrafa para sacarla. (Vea la Figura 1).



**Figura 1**



**Figura 2**

5. Llene la garrafa con agua fría. Alce la Tapa de la Cafetera que se encuentra en la parte superior de la cafetera y vierta lentamente el agua desde la Garrafa Térmica en la Cámara de Agua, hasta el nivel deseado de acuerdo con el número de tazas (1-8). Vuelva a colocar la tapa de la garrafa alineando las flechas en la Tapa de la Garrafa con las del cuerpo de la Garrafa y gire en el sentido de las agujas del reloj hasta que las asas estén alineadas. (Vea la Figura 2).
6. Extienda el asa del Cesto del Filtro Removible para levantar el Cesto del Filtro Removible hacia arriba en forma recta y sacarlo de la cafetera. Inserte un cono de papel de filtro tamaño #4 (o un filtro dorado permanente) dentro del Cesto del Filtro Removible.

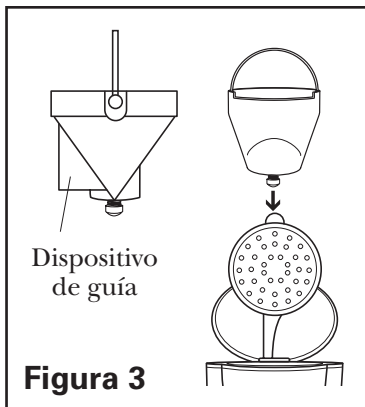
## Preparando el Café (cont.)

7. Coloque el café molido en el filtro, usando 1 cucharada al ras de café de filtro molido por cada taza de café que desee preparar.
8. Mientras sostiene el Asa del Cesto del Filtro levantada como se observa en la Figura 3, gire el Cesto del Filtro de modo que los dispositivos de guías queden mirando en sentido opuesto con respecto a usted. Vea la Figura 3. Vuelva a colocar firmemente el Cesto del Filtro Removible empujando hasta calzarlo sobre el Receptáculo del Cesto del Filtro con el asa en posición vertical. Asegúrese de que calce perfectamente de modo que la tapa de la Cafetera pueda cerrarse correctamente. Doble el asa hacia abajo en dirección hacia usted.

Cuando el asa está doblada hacia abajo, activa unos pestillos que se encuentran en el lateral del Cesto del Filtro Removible y lo traban en su sitio. Cierre la tapa de la cafetera asegurándose de que calce a presión en su sitio de modo seguro.

9. Asegúrese de que la tapa de la garrafa esté firmemente asegurada en la garrafa. Cuando usted vuelva a colocar la garrafa térmica sobre la placa de la base, la garrafa calzará a presión fácilmente en su posición por debajo del ensamblaje de la Pausa Automática y Vertedor.
10. En la pantalla de cristal líquido observará que la hora "12:00" parpadeará de modo intermitente hasta que usted programe la hora. La luz de ON (encendido) debería estar apagada (OFF). Si se encendiera accidentalmente, presione el botón de encendido/apagado (ON/OFF) una vez, y la luz se apagará.

Gire los dispositivos de guía hasta que queden enfrentados con la parte trasera de la cafetera.



Vuelva a colocar firmemente el Cesto del Filtro Removible empujando hasta calzarlo sobre el Receptáculo del Cesto del Filtro con el asa en posición vertical. Asegúrese de que calce perfectamente de modo que la Tapa de la Cafetera pueda cerrarse correctamente (la tapa calzará a presión en su sitio).

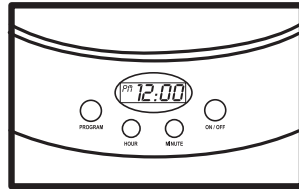
## Consejos útiles para la preparación de café

- Siempre use el agua fresca fría para preparar su café. En las áreas donde el agua es dura o donde el agua contiene elevadas concentraciones de minerales, use agua fría filtrada para lograr un sabor óptimo del café.
- Para mejores resultados, use un café premium, de molienda fina, tostado.
- Use un cono de papel de filtro tamaño #4 o un filtro dorado permanente.

# Programando el reloj/temporizador

## Programando el reloj

1. Enchufe el cable del aparato al tomacorriente de la pared. La pantalla parpadeará de modo intermitente hasta que usted programe la hora del día.  
**NOTA:** Una falla eléctrica también puede hacer que la pantalla parpadee y será necesario reprogramar el reloj.
2. Para programar el reloj, mantenga presionado el botón de la HORA (HOUR) por 3 a 5 segundos hasta que la hora comience a cambiar. Presione el botón de la HORA (HOUR) hasta visualizar la hora correcta, observando que la opción PM está indicada a la izquierda de la pantalla.
3. Presione el botón MIN hasta visualizar los minutos correctos. Unos pocos segundos después de que usted libere el botón, los puntos entre la hora y los minutos comenzarán a parpadear, indicando que el reloj está en marcha.



## Programando el temporizador

1. Mientras mantiene presionado el botón PROGRAM, presione y sostenga presionado el botón HOUR hasta que la pantalla comience a cambiar. El icono de la taza de café a la izquierda de la pantalla parpadeará para indicarle que usted está programando el temporizador.
- Continúe presionando el botón HOUR hasta que la hora correcta a la que usted desea programar la preparación del café se visualice en la pantalla, observando que la opción PM está indicada a la izquierda de la pantalla.

## Programando el temporizador (cont.)

2. Mientras que mantiene presionado el botón PROGRAM, presione el botón MIN del mismo modo, hasta que la hora a la que usted desea programar la preparación del café se visualice en la pantalla.
3. Después de que haya programado la hora a la que usted desea que tenga lugar la preparación del café, presione PROGRAM otra vez para volver a visualizar en la pantalla la hora del día.
4. Presionando el botón PROGRAM usted puede encender y apagar el temporizador. El icono de la taza de café indica que el temporizador está encendido.

## *Para comenzar la preparación de café inmediatamente*

Para mantener una temperatura óptima, enjuague la garrafa térmica por dentro con agua tibia antes de preparar el café; vacíela y asegúrese de que la tapa de la garrafa calce correctamente sobre la garrafa. Coloque la garrafa de modo seguro en la cafetera.

Presione el botón de encendido/apagado (ON/OFF). El LED Indicador de Encendido se iluminará tan pronto como la cafetera comience a preparar el café. Una vez que el ciclo de preparación de café esté completo la cafetera se apagará automáticamente.

Una vez que el ciclo de preparación de café esté completo, saque con cuidado la Garrafa Térmica de la Placa de la Base. Para verter el café, presione el botón que se encuentra en el Asa de la Tapa de la Garrafa.

## *Para comenzar la preparación de café a la hora programada*

A la hora programada, la cafetera se encenderá automáticamente. La luz de encendido (ON) se iluminará tan pronto como la cafetera comience a preparar el café y el café comenzará a fluir hacia la Garrafa Térmica. Una vez que el ciclo de preparación de café esté completo la cafetera se apagará automáticamente.

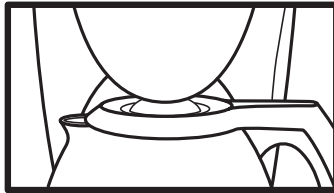
Una vez que el ciclo de preparación de café esté completo, saque con cuidado la Garrafa Térmica de la Placa de la Base. Para verter el café, presione el botón que se encuentra en el Asa de la Tapa de la Garrafa.

**NOTA:** La cantidad de café que se obtiene en la garrafa puede ser ligeramente menor que la cantidad de agua que usted colocó en la cámara de agua, debido a que una parte del agua es absorbida por el café molido.

## *Característica de pausa automática y vertedor*

---

Saque la garrafa térmica de la placa de la base. Siempre mantenga la tapa de la garrafa sobre la garrafa cuando vierta el café.



**IMPORTANTE:** Cuando use la característica de Pausa Automática y Vertedor mientras la cafetera todavía está preparando café, **la garrafa térmica con la tapa debe ser colocada nuevamente sobre la placa de la base, por debajo del Cesto del Filtro dentro del (1) minuto para evitar que se desborde el líquido del cesto del filtro.**

## *Para preparar café por segunda vez*

---

Para preparar café por segunda vez, espere 15 minutos y permita que la unidad se enfríe. Deseche el café molido usado y repita los pasos normales para la preparación de café.

**PRECAUCIÓN:** Si no deja enfriar la cafetera puede producirse un sobrecalentamiento del agua y la generación de vapor caliente. El vapor caliente puede causar quemaduras severas.

## *Instrucciones de mantenimiento del usuario*

---

Este aparato requiere de poco mantenimiento. NO contiene partes que puedan ser reparadas por parte del usuario. No intente repararlo usted mismo. Contacte un técnico de aparatos calificado si el producto requiere mantenimiento o reparación.

# *Uso y cuidados de su cafetera GE con garrafa térmica para 8 tazas*

---

Una garrafa térmica dañada puede provocar quemaduras a causa de los líquidos calientes. Para evitar que la garrafa se rompa:

1. Descarte la garrafa si se encontrara dañada de alguna manera. Una desportilladura o rajadura podrían ocasionar su ruptura.
2. No use agentes de limpieza o cepillos de alambre para botellas para limpiar el interior de la garrafa térmica.
3. No coloque la garrafa sobre o cerca de un quemador de gas o eléctrico caliente o dentro de un horno caliente, o en un horno de microondas.
4. Evite manipularla con rudeza y evite darle golpes secos.

## *Limpiando la cafetera GE con garrafa térmica para 8 tazas*

---

### **Cuidado y Limpieza**

1. Asegúrese de que el botón de encendido de la unidad esté en la posición OFF. La Luz del Indicador de encendido estará apagada.
2. Desenchufe el aparato y permita que se enfríe completamente antes de limpiarlo.
3. Levante la Tapa de la Cafetera y saque el Cesto del Filtro removible tomándolo por el asa. Descarte el filtro de papel y los restos de café. No sumerja la tapa ni la garrafa térmica en ningún líquido. Lave y seque las partes removibles restantes.
4. Los depósitos de minerales pueden ser removidos de la cafetera siguiendo las instrucciones de "Quitando el Sarro". Ninguna de las partes puede ser lavada en el lavavajillas.
5. Limpie el exterior de la cafetera con un paño húmedo.  
**PRECAUCIÓN: No sumerja el cable, la clavija o la garrafa térmica en agua u otros líquidos.**

---

## Quitando el Sarro

Nosotros le recomendamos que quite el sarro de su cafetera una vez por mes porque los depósitos minerales pueden formar una capa en la cafetera, produciendo un aumento en el tiempo de preparación y posiblemente un sabor diferente del café. Use un limpiador recomendado para cafeteras. Para quitar el sarro de su unidad:

1. Coloque un cono de papel de filtro en el cesto del Filtro removible. Asegúrese de que el cesto del Filtro removible calce perfectamente de modo que la tapa pueda cerrarse correctamente (la tapa calzará a presión en su sitio).
2. Llene la garrafa con una parte de vinagre y tres partes de agua fría. Vierta la solución de agua y vinagre en la cámara de agua.
3. Coloque la garrafa térmica vacía con su tapa sobre la placa de la base. Enchufe la cafetera en el tomacorriente y encienda la unidad.
4. Mantenga la cafetera encendida hasta que la garrafa térmica esté llena hasta la mitad. (Hasta la marca para 4 tazas del Indicador del nivel de agua). Apague la cafetera y permita que se enfríe por 1/2 hora.
5. Al cabo de 1/2 hora, vierta la solución de agua y vinagre nuevamente en la cafetera.
6. Coloque la garrafa térmica vacía con su tapa sobre la placa de la base. Encienda la unidad y permita que toda la solución de agua y vinagre fluya a través de la cafetera.
7. Descarte la solución y el papel de filtro.
8. Después de permitir que la cafetera se enfríe por 15 minutos, enjuague todos los restos de vinagre vertiendo una garrafa llena de agua fría dentro de la cámara de agua. Asegúrese de colocar un filtro nuevo en el cesto del filtro antes de preparar café y coloque la garrafa térmica vacía con su tapa sobre la placa de la base. Encienda la cafetera y permita que realice un ciclo.
9. Al finalizar el ciclo de preparación del café, la cafetera se apagará automáticamente. Deseche el agua de la garrafa térmica. Repita los pasos 8-9. Desenchufe la cafetera cuando haya finalizado.



# Servicio al cliente

Si usted tiene un reclamo bajo esta garantía, por favor llame a nuestro Número de Servicio al cliente. Para un servicio más rápido por favor, tenga a mano los números de modelo, serie, y el tipo de aparato listos para que un operador pueda ayudarlo. Estos números pueden encontrarse en la base de su cafetera.

**Número de stock del artículo : 168965**

**Número de teléfono para Servicio al cliente 1-877-207-0923 (Válido sólo en E.U.A.)  
¡Guarde este número para referencias futuras!**

## Garantía limitada por dos años

### ¿Qué cubre su garantía?

- Cualquier defecto en los materiales o la fabricación.

### ¿Por cuánto tiempo a partir de la fecha de la compra original?

- Dos años.

### ¿Qué haremos nosotros?

- Le daremos un aparato nuevo

### ¿Cómo hacer un reclamo en Garantía?

- Guarde su recibo.
- Empaque adecuadamente su unidad. Le recomendamos que use el empaque y los materiales de empaque originales.
- Regrese el producto a su tienda WAL★MART más cercana o llame a Servicio al Cliente al 1-877-207-0923. (Válido sólo en E.U.A.)

### ¿Qué es lo que su garantía no cubre?

- El uso Comercial.
- Los daños por mal uso, abuso, o negligencia.
- Productos que han sido modificados incorporados en otros productos.
- Productos comprados o reparados fuera de E.U.A.

### ¿Cómo se relaciona la ley estatal con esta garantía?

- Esta garantía le da derechos legales específicos, y usted también puede tener otros derechos que varían de estado a estado.

### ¿Qué pasaría si usted compra este producto en E.U.A., Canadá, o México y se encuentra con un problema mientras está usándolo fuera del país de compra?

- La garantía sólo es válida en el país de la compra y si usted sigue el procedimiento de reclamo de la garantía como se ha detallado.



es una marca registrada de la Compañía General Electric y es usada bajo licencia por WAL★MART Stores, Inc. Bentonville, AR 72716, E.U.A.

168965

WAL★MART Stores, Inc.  
Bentonville, AR 72716

País de Origen  
Producto de China

P/N 61370  
8/03

