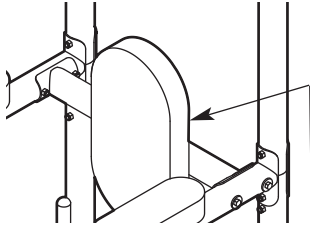


# WEIDER® 200

Model No. WEBE09140

Serial No. \_\_\_\_\_

Write the serial number in the space above for reference.



Serial Number Decal

## USER'S MANUAL

### QUESTIONS?

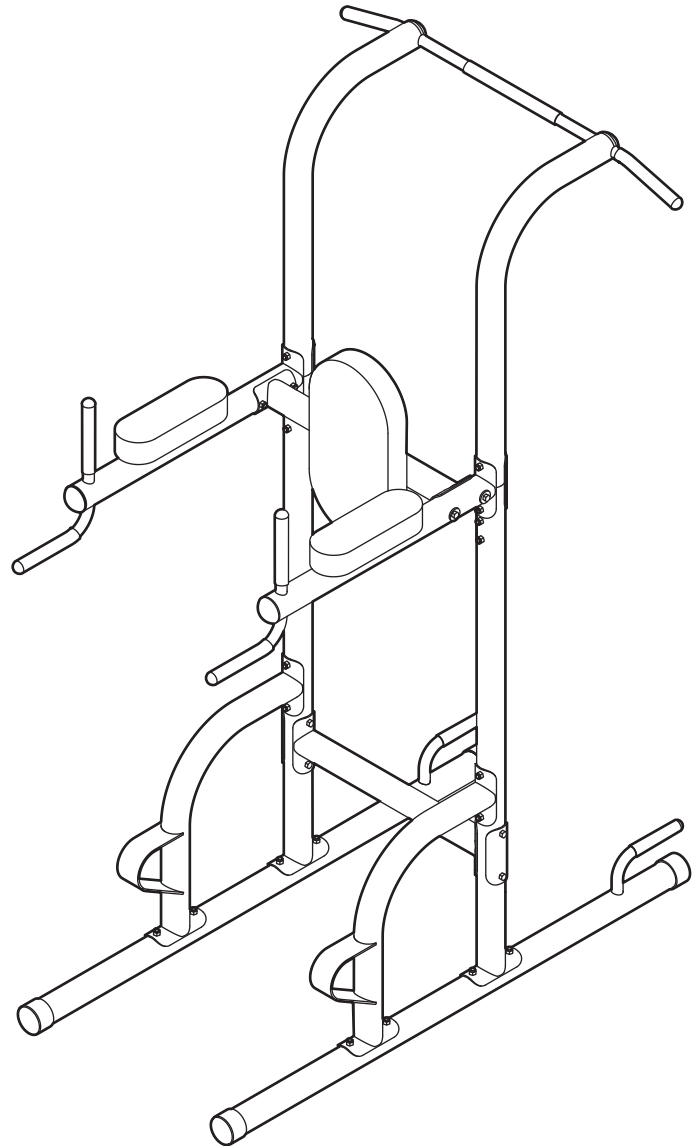
As a manufacturer, we are committed to providing complete customer satisfaction. If you have questions, or if there are missing parts, we will guarantee complete satisfaction through direct assistance from our factory.

**TO AVOID UNNECESSARY DELAYS, PLEASE CALL DIRECT TO OUR TOLL-FREE CUSTOMER HOT LINE.** The trained technicians on our customer hot line will provide immediate assistance, free of charge to you.

**CUSTOMER HOT LINE:**

**1-877-992-5999**

Mon.–Fri., 6 a.m.–6 p.m. MST



### CAUTION

Read all precautions and instructions in this manual before using this equipment. Save this manual for future reference.



Visit our website at

[www.weiderfitness.com](http://www.weiderfitness.com)

*new products, prizes,  
fitness tips, and much more!*

# TABLE OF CONTENTS

|                                  |            |
|----------------------------------|------------|
| WARNING DECAL PLACEMENT .....    | 2          |
| IMPORTANT PRECAUTIONS .....      | 3          |
| BEFORE YOU BEGIN .....           | 4          |
| ASSEMBLY .....                   | 5          |
| EXERCISE GUIDELINES .....        | 9          |
| ORDERING REPLACEMENT PARTS ..... | Back Cover |
| LIMITED WARRANTY .....           | Back Cover |

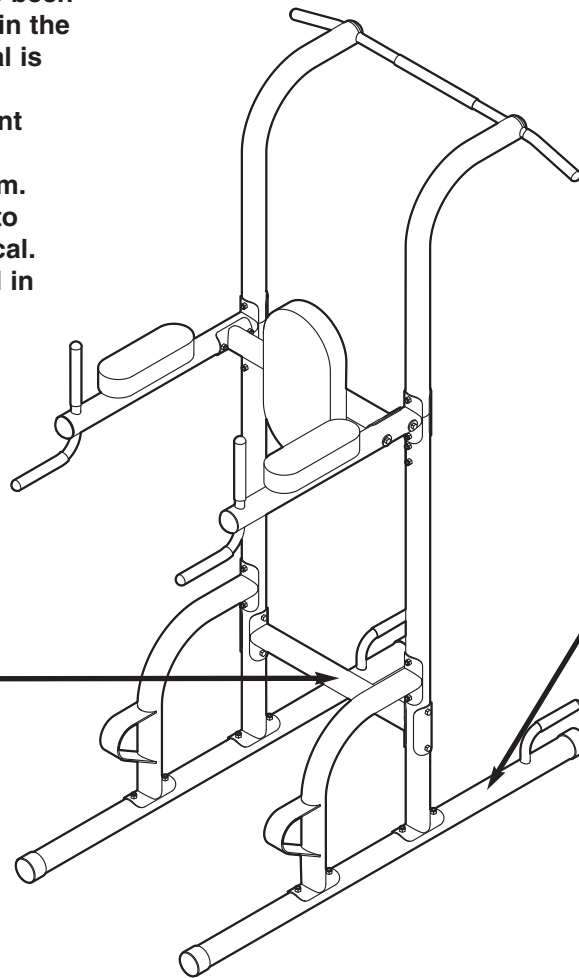
Note: A PART IDENTIFICATION CHART and a PART LIST/EXPLODED DRAWING are attached in the center of this manual. Remove the PART IDENTIFICATION CHART and PART LIST/EXPLODED DRAWING before beginning assembly.

## WARNING DECAL PLACEMENT

The decals shown here have been placed on the exercise rack in the indicated locations. If a decal is missing or illegible, call our Customer Service Department toll-free at 1-877-992-5999, Monday through Friday, 6 a.m. until 6 p.m. Mountain Time, to order a free replacement decal. Apply the replacement decal in the location shown.

**⚠ WARNING**

- Low overhead clearance.
- To prevent head injury, position body properly.



**⚠ WARNING**

- Misuse of this product may result in serious injury.
- Read user's manual and follow all warnings and operating instructions prior to use.
- Do not allow children on or around machine.
- Replace label if damaged, illegible, or removed.

---

# IMPORTANT PRECAUTIONS

**⚠ WARNING:** To reduce the risk of serious injury, read the following important precautions before using the exercise rack.

1. Read all instructions in this manual before using the exercise rack. Use the exercise rack only as described in this manual.
2. It is the responsibility of the owner to ensure that all users of the exercise rack are adequately informed of all precautions.
3. The exercise rack is intended for home use only. Do not use the exercise rack in any commercial, rental, or institutional setting.
4. Keep the exercise rack indoors, away from moisture and dust. Do not put the exercise rack in a garage or covered patio, or near water.
5. Keep children under 12 and pets away from the exercise rack at all times.
6. Use the exercise rack only on a level surface. Cover the floor beneath the exercise rack to protect the floor.
7. Make sure all parts are properly tightened each time the exercise rack is used. Replace any worn parts immediately.
8. Always wear athletic shoes for foot protection while exercising.
9. The exercise rack is designed to support a maximum user weight of 300 pounds.
10. If you feel pain or dizziness at any time while exercising, stop immediately and begin cooling down.

**⚠ WARNING:** Before beginning this or any exercise program, consult your physician. This is especially important for persons over the age of 35 or persons with pre-existing health problems. Read all instructions before using. ICON assumes no responsibility for personal injury or property damage sustained by or through the use of this product.

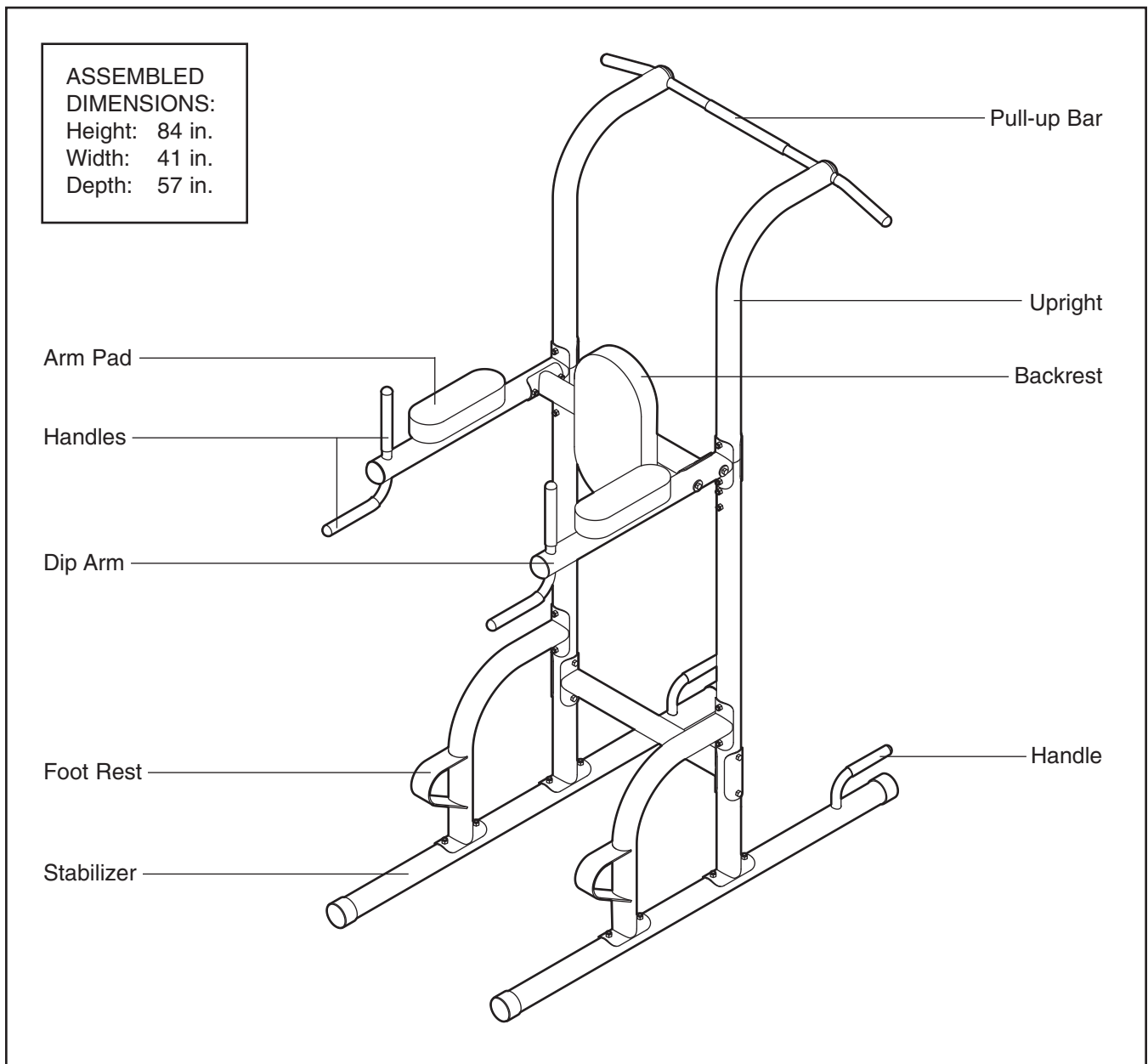
# BEFORE YOU BEGIN

Thank you for selecting the versatile WEIDER® 200 exercise rack. The exercise rack is designed to help you develop the major muscle groups of the upper body. Whether your goal is a shapely figure, dramatic increase in muscle size and strength, or a healthier cardiovascular system, the exercise rack will help you achieve the specific results you want.

**For your benefit, read this manual carefully before using the exercise rack.** If you have questions after reading this manual, please call our Customer Service

Department toll-free at 1-877-992-5999, Monday through Friday, 6 a.m. until 6 p.m. Mountain Time (excluding holidays). To help us assist you, please note the product model number and serial number before calling. The model number is WEBE09140. The serial number can be found on a decal attached to the exercise rack (see the front cover of this manual).

Before reading further, please review the drawing below and familiarize yourself with the parts that are labeled.



# ASSEMBLY

## Make Things Easier for Yourself





This manual is designed to ensure that the exercise rack can be assembled successfully by anyone. Most people find that by setting aside plenty of time, assembly will go smoothly.

**Before beginning assembly, carefully read the following information and instructions:**

- Assembly requires two people.
- For help identifying small parts, use the **PART IDENTIFICATION CHART**.
- Place all parts in a cleared area and remove the packing materials. Do not dispose of the packing materials until assembly is completed.

- Tighten all parts as you assemble them, unless instructed to do otherwise.
- As you assemble the exercise rack, make sure all parts are oriented as shown in the drawings.

**The following tools (not included) are required for assembly:**

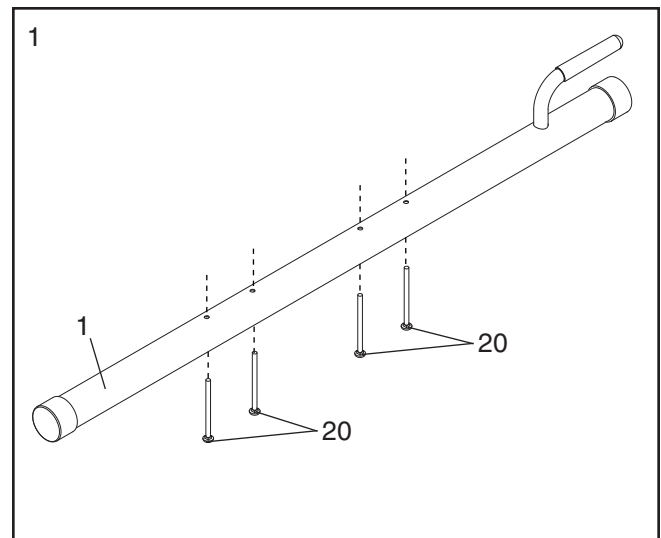
- **Two adjustable wrenches** 
- **One rubber mallet** 
- **One standard screwdriver** 
- **One Phillips screwdriver** 

Assembly will be more convenient if you have a socket set, a set of open-end or closed-end wrenches, or a set of ratchet wrenches.

1. **Before beginning assembly, make sure you understand the information in the box above. Important: Some of the parts described in the assembly steps may be pre-assembled.**

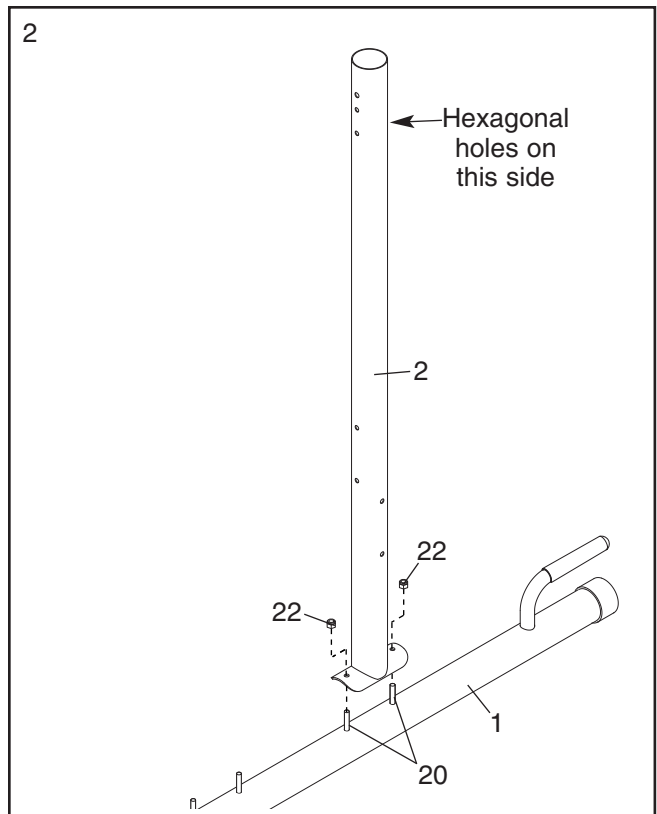
Insert four M8 x 68mm Carriage Bolts (20) up through a Stabilizer (1).

**Repeat with the other Stabilizer (1).**



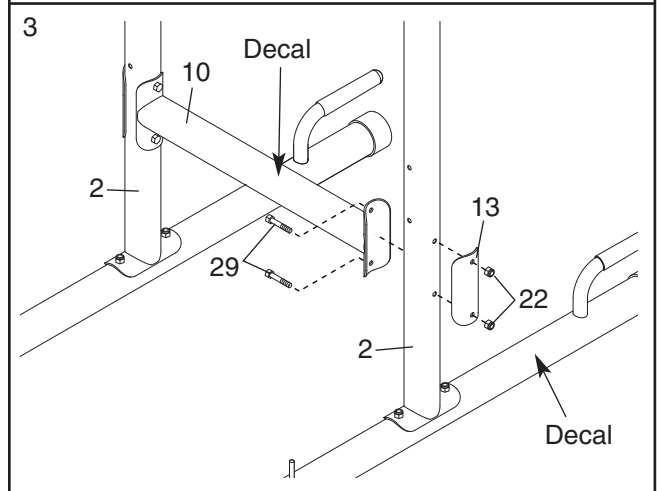
- Attach an Upright Base (2) to a Stabilizer (1) with the indicated two M8 x 68mm Carriage Bolts (20) and two M8 Nylon Locknuts (22). **Note: Attach the Upright Base so that the hexagonal holes are on the indicated side. Do not tighten the Locknuts yet.**

**Attach the other Upright Base (2) to the other Stabilizer (1) in the same manner.**



- Attach the Bottom Crossbar (10) to an Upright Base (2) with two M8 x 77mm Bolts (29), a Support Plate (13), and two M8 Nylon Locknuts (22). **Note: Attach the Bottom Crossbar so that the indicated warning decals are in the indicated locations. Do not tighten the Locknuts yet.**

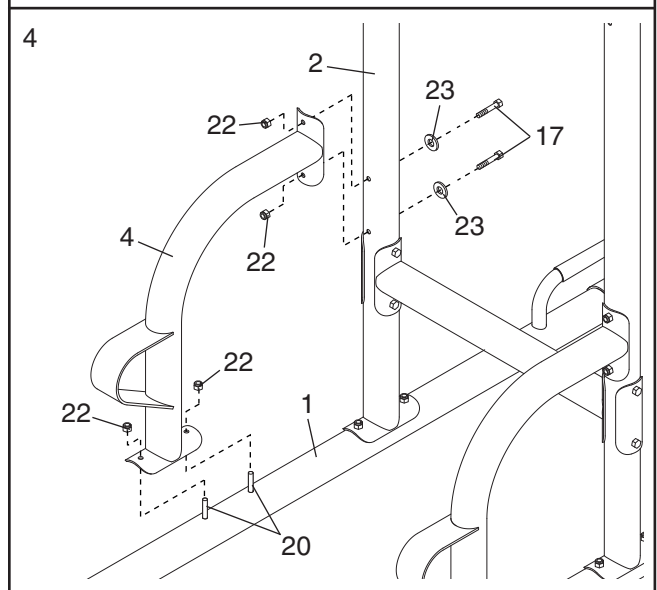
**Attach the Bottom Crossbar (10) to the other Upright Base (2) in the same manner.**



- Attach a Support (4) to a Stabilizer (1) with the two indicated M8 x 68mm Carriage Bolts (20) and two M8 Nylon Locknuts (22). **Do not tighten the Locknuts yet.**

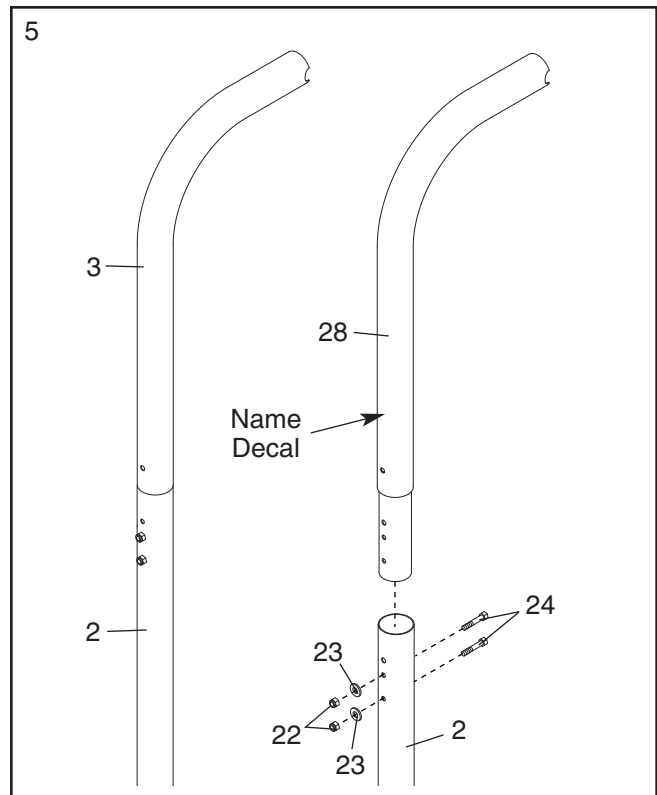
Attach the Support (4) to the Upright Base (2) with two M8 x 75mm Bolts (17), two M8 Washers (23), and two M8 Nylon Locknuts (22). **Do not tighten the Locknuts yet.**

**Attach the other Support (4) to the other Stabilizer (1) and Upright Base (2) in the same manner.**



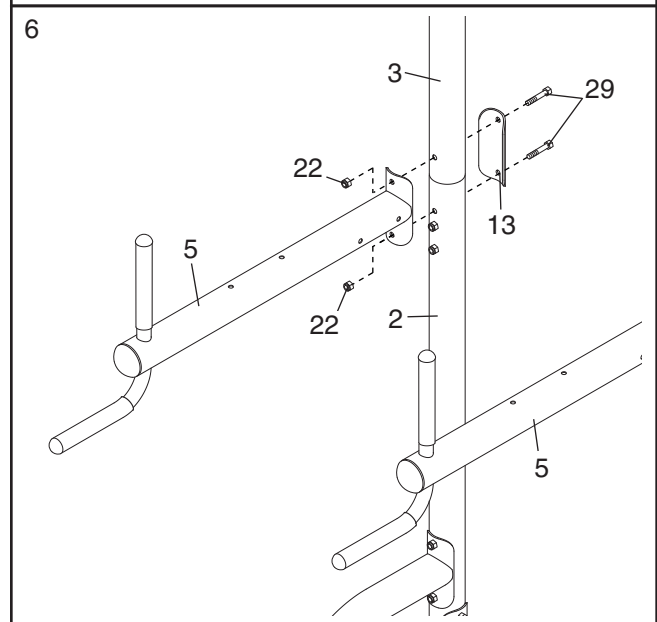
- Orient the Left Upright (28) as shown and attach it to the left Upright Base (2) with two M8 x 68mm Bolts (24), two M8 Washers (23), and two M8 Nylon Locknuts (22). **Note: The Bolts must be attached to the lowest set of holes in the Upright and Upright Base. Make sure the bolt heads fit inside the hexagonal holes in the Upright Base. Attach the Upright so that the name decal is in the indicated location. Do not tighten the Locknuts yet.**

**Attach the Right Upright (3) to the other Upright Base (2) in the same manner.**



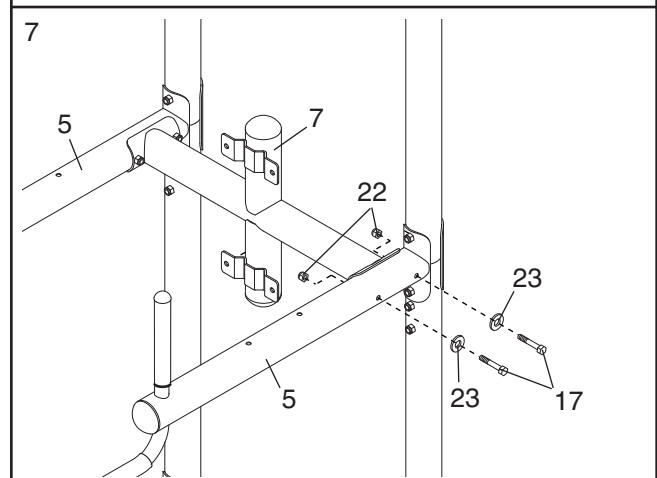
- Attach a Dip Arm (5) to the Right Upright (3) and Upright Base (2) with two M8 x 77mm Bolts (29), a Support Plate (13), and two M8 Nylon Locknuts (22). **Do not tighten the Locknuts yet.**

**Repeat this step with the other Dip Arm (5) and the Left Upright (not shown).**



- Attach the Top Crossbar (7) to a Dip Arm (5) with two M8 x 75mm Bolts (17), two M8 Washers (23), and two M8 Nylon Locknuts (22). **Do not tighten the Locknuts yet.**

**Attach the Top Crossbar (7) to the other Dip Arm (5) in the same manner.**



8. Attach the Pull-up Bar (9) to the Uprights (3, 28) with two M10 x 50mm Screws (19) and two M10 Washers (26). **Make sure the indents around the holes in the Pull-up Bar are on the side shown.** Press two Rubber Endcaps (12) into the ends of the Uprights.

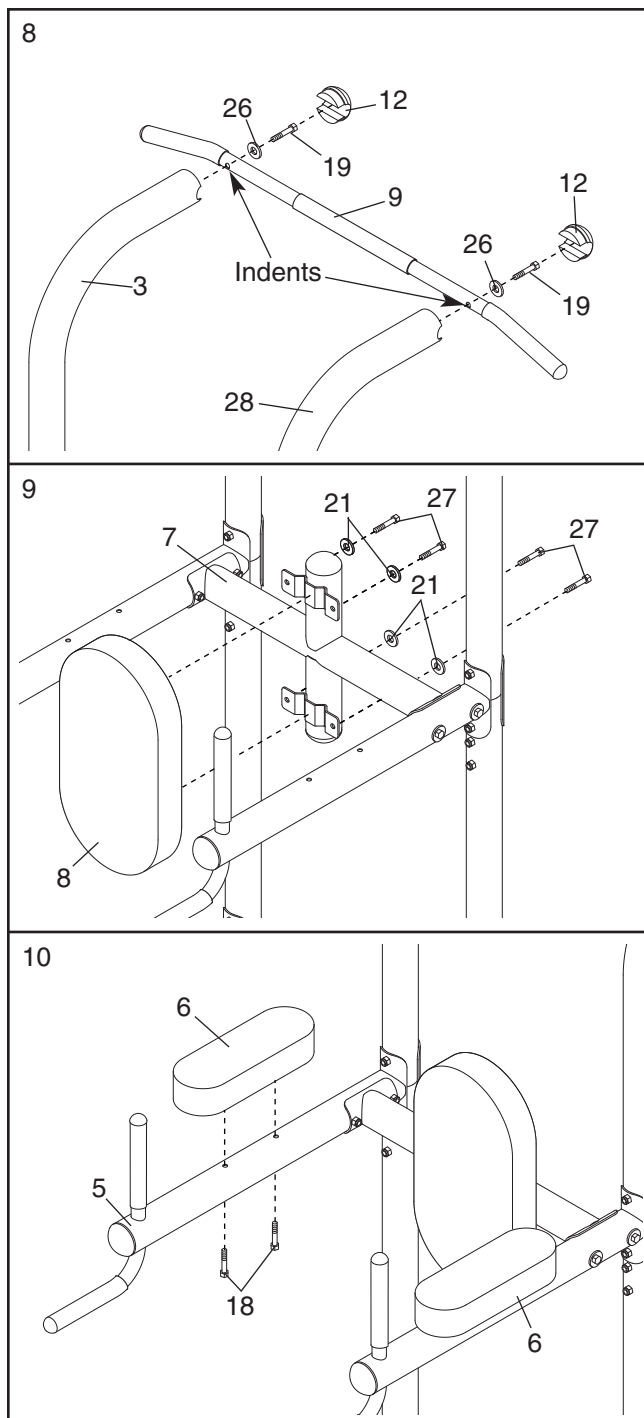
**Tighten all of the M8 Nylon Locknuts (22) used in steps 2–8.**

9. Attach the Backrest (8) to the Top Crossbar (7) with four M6 x 16mm Screws (27) and four M6 Washers (21).

10. Attach an Arm Pad (6) to a Dip Arm (5) with two M6 x 73mm Screws (18).

**Repeat this step with the other Arm Pad (6).**

11. **Make sure that all parts have been properly tightened before the exercise rack is used.**





---

# EXERCISE GUIDELINES

## THE FOUR BASIC TYPES OF WORKOUTS

### MUSCLE BUILDING

To increase the size and strength of your muscles, push them close to their maximum capacity. Your muscles will continually adapt and grow as you progressively increase the intensity of your exercise. You can adjust the intensity level of an individual exercise in two ways:

- by changing the amount of resistance used
- by changing the number of repetitions or sets performed. (A “repetition” is one complete cycle of an exercise, such as one sit-up. A “set” is a series of repetitions.)

The proper amount of resistance for each exercise depends upon the individual user. You must gauge your limits and select the amount of resistance that is right for you. Begin with 3 sets of 8 repetitions for each exercise you perform. Rest for 3 minutes after each set. When you can complete 3 sets of 12 repetitions without difficulty, increase the amount of resistance.

### TONING

You can tone your muscles by pushing them to a moderate percentage of their capacity. Select a moderate amount of resistance and increase the number of repetitions in each set. Complete as many sets of 15 to 20 repetitions as possible without discomfort. Rest for 1 minute after each set. Work your muscles by completing more sets rather than by using high amounts of resistance.

### WEIGHT LOSS

To lose weight, use a low amount of resistance and increase the number of repetitions in each set. Exercise for 20 to 30 minutes, resting for a maximum of 30 seconds between sets.

### CROSS TRAINING

Cross training is an efficient way to get a complete and well-balanced fitness program. An example of a balanced program is:

- Plan strength training workouts on Monday, Wednesday, and Friday.
- Plan 20 to 30 minutes of aerobic exercise, such as running on a treadmill or riding on an elliptical or exercise bike, on Tuesday and Thursday.
- Rest from both strength training and aerobic exercise for at least one full day each week to give your body time to regenerate.

The combination of strength training and aerobic exercise will reshape and strengthen your body, plus develop your heart and lungs.

## PERSONALIZING YOUR EXERCISE PROGRAM

Determining the exact length of time for each workout, as well as the number of repetitions or sets completed, is an individual matter. It is important to avoid overdoing it during the first few months of your exercise program. You should progress at your own pace and be sensitive to your body’s signals. If you experience pain or dizziness at any time while exercising, stop immediately and begin cooling down. Find out what is wrong before continuing. Remember that adequate rest and a proper diet are important factors in any exercise program.

### WARMING UP

Begin each workout with 5 to 10 minutes of stretching and light exercise to warm up. Warming up prepares your body for more strenuous exercise by increasing circulation, raising your body temperature and delivering more oxygen to your muscles.

### WORKING OUT

Each workout should include 6 to 10 different exercises. Select exercises for every major muscle group, emphasizing areas that you want to develop most. To give balance and variety to your workouts, vary the exercises from session to session.

Schedule your workouts for the time of day when your energy level is the highest. Each workout should be followed by at least one day of rest. Once you find the schedule that is right for you, stick with it.

### EXERCISE FORM

Maintaining proper form is an essential part of an effective exercise program. This requires moving through the full range of motion for each exercise, and moving only the appropriate parts of the body. Exercising in an uncontrolled manner will leave you feeling exhausted. On the exercise guide accompanying this manual you will find photographs showing the correct form for several exercises, and a list of the muscles affected. See the muscle chart on the next page to find the names of the muscles.

The repetitions in each set should be performed smoothly and without pausing. The exertion stage of each repetition should last about half as long as the return stage. Proper breathing is important. Exhale during the exertion stage of each repetition and inhale during the return stroke. Never hold your breath.

Rest for a short period of time after each set. The ideal resting periods are:

- Rest for three minutes after each set for a muscle building workout.
- Rest for one minute after each set for a toning workout.
- Rest for 30 seconds after each set for a weight loss workout.

Plan to spend the first couple of weeks familiarizing yourself with the equipment and learning the proper form for each exercise.

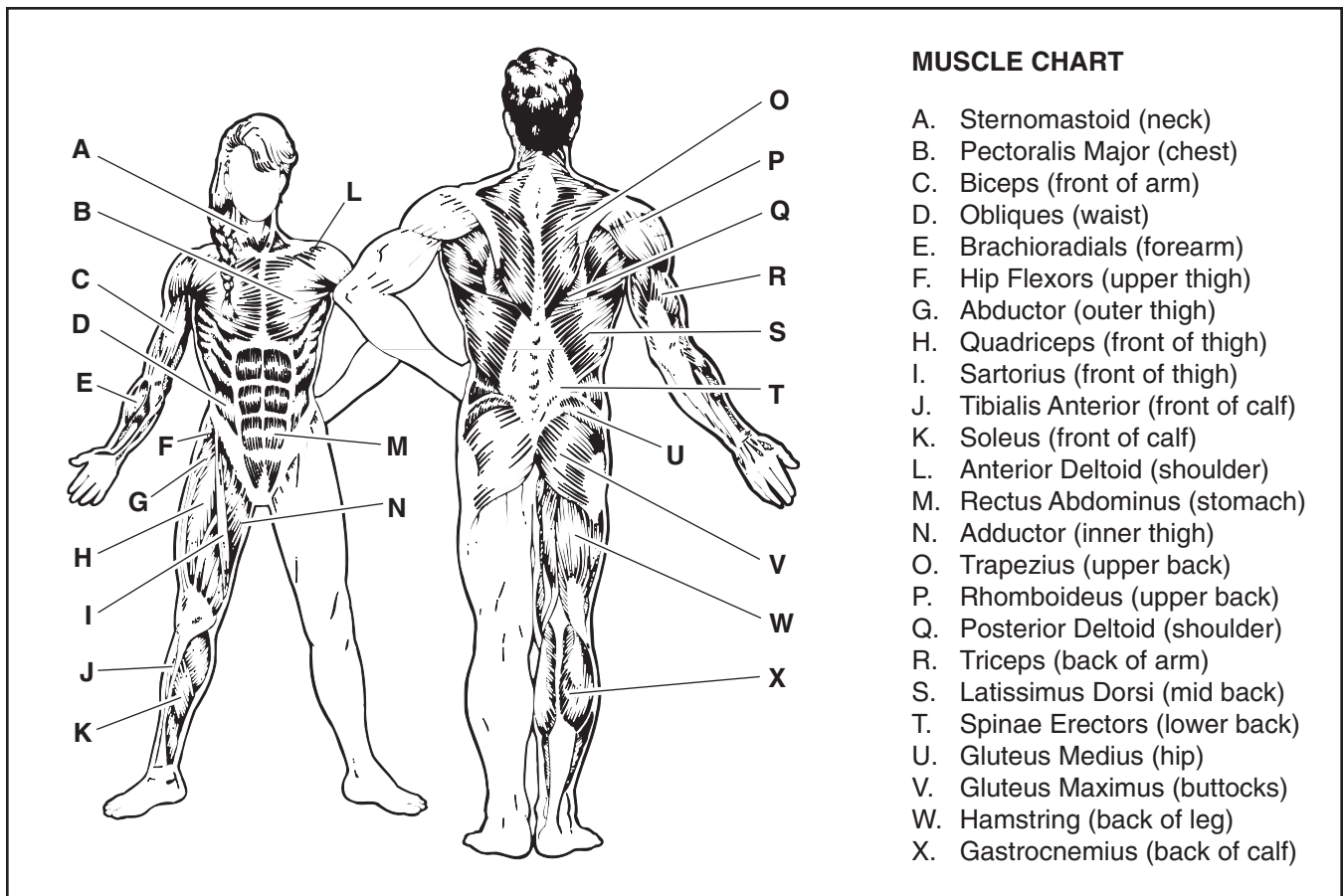
### COOLING DOWN

End each workout with 5 to 10 minutes of stretching. Include stretches for both your arms and legs. Move

slowly as you stretch and do not bounce. Ease into each stretch gradually and go only as far as you can without strain. Stretching at the end of each workout is an effective way to increase flexibility.

### STAYING MOTIVATED

For motivation, keep a record of each workout. The chart on page 11 of this manual can be photocopied and used to schedule and record your workouts. List the date, the exercises performed, the resistance used, and the numbers of sets and repetitions completed. Record your weight and key body measurements at the end of every month. Remember, the key to achieving the greatest results is to make exercise a regular and enjoyable part of your everyday life.



### MUSCLE CHART

- A. Sternomastoid (neck)
- B. Pectoralis Major (chest)
- C. Biceps (front of arm)
- D. Obliques (waist)
- E. Brachioradials (forearm)
- F. Hip Flexors (upper thigh)
- G. Abductor (outer thigh)
- H. Quadriceps (front of thigh)
- I. Sartorius (front of thigh)
- J. Tibialis Anterior (front of calf)
- K. Soleus (front of calf)
- L. Anterior Deltoid (shoulder)
- M. Rectus Abdominus (stomach)
- N. Adductor (inner thigh)
- O. Trapezius (upper back)
- P. Rhomboideus (upper back)
- Q. Posterior Deltoid (shoulder)
- R. Triceps (back of arm)
- S. Latissimus Dorsi (mid back)
- T. Spinae Erectors (lower back)
- U. Gluteus Medius (hip)
- V. Gluteus Maximus (buttocks)
- W. Hamstring (back of leg)
- X. Gastrocnemius (back of calf)

| <b>MONDAY</b>               | <b>EXERCISE</b> | <b>SETS</b> | <b>REPS</b> |
|-----------------------------|-----------------|-------------|-------------|
| Date: _____ / _____ / _____ |                 |             |             |
|                             |                 |             |             |
|                             |                 |             |             |
|                             |                 |             |             |
|                             |                 |             |             |
|                             |                 |             |             |
|                             |                 |             |             |
|                             |                 |             |             |
|                             |                 |             |             |

---

**TUESDAY      AEROBIC EXERCISE**

Date: \_\_\_\_\_ / \_\_\_\_\_ / \_\_\_\_\_

| <b>WEDNESDAY</b>            | <b>EXERCISE</b> | <b>SETS</b> | <b>REPS</b> |
|-----------------------------|-----------------|-------------|-------------|
| Date: _____ / _____ / _____ |                 |             |             |
|                             |                 |             |             |
|                             |                 |             |             |
|                             |                 |             |             |
|                             |                 |             |             |
|                             |                 |             |             |
|                             |                 |             |             |
|                             |                 |             |             |
|                             |                 |             |             |

---

**THURSDAY      AEROBIC EXERCISE**

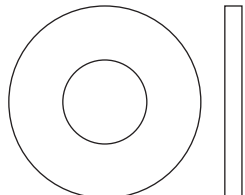
Date: \_\_\_\_\_ / \_\_\_\_\_ / \_\_\_\_\_

| <b>FRIDAY</b>               | <b>EXERCISE</b> | <b>SETS</b> | <b>REPS</b> |
|-----------------------------|-----------------|-------------|-------------|
| Date: _____ / _____ / _____ |                 |             |             |
|                             |                 |             |             |
|                             |                 |             |             |
|                             |                 |             |             |
|                             |                 |             |             |
|                             |                 |             |             |
|                             |                 |             |             |
|                             |                 |             |             |
|                             |                 |             |             |

Make photocopies of this page for scheduling and recording your workouts.

# PART IDENTIFICATION CHART

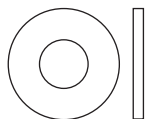
See the drawings below to identify small parts used in assembly. The number in parentheses by each drawing is the key number of the part from the PART LIST. **Note: Some small parts may have been pre-attached. If a part is not in the parts bag, check to see if it has been pre-attached.**



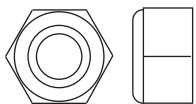
M10 Washer (26)



M8 Washer (23)



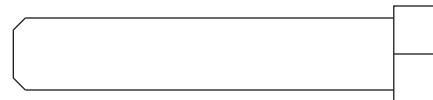
M6 Washer (21)



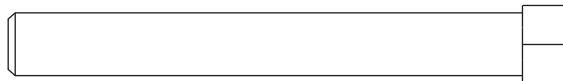
M8 Nylon Locknut (22)



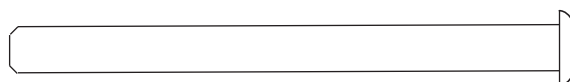
M6 x 16mm Screw (27)



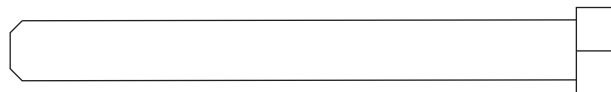
M10 x 50mm Screw (19)



M8 x 68mm Bolt (24)



M6 x 73mm Screw (18)



M8 x 75mm Bolt (17)



M8 x 68mm Carriage Bolt (20)



M8 x 77mm Bolt (29)

# PART LIST—Model No. WEBE09140

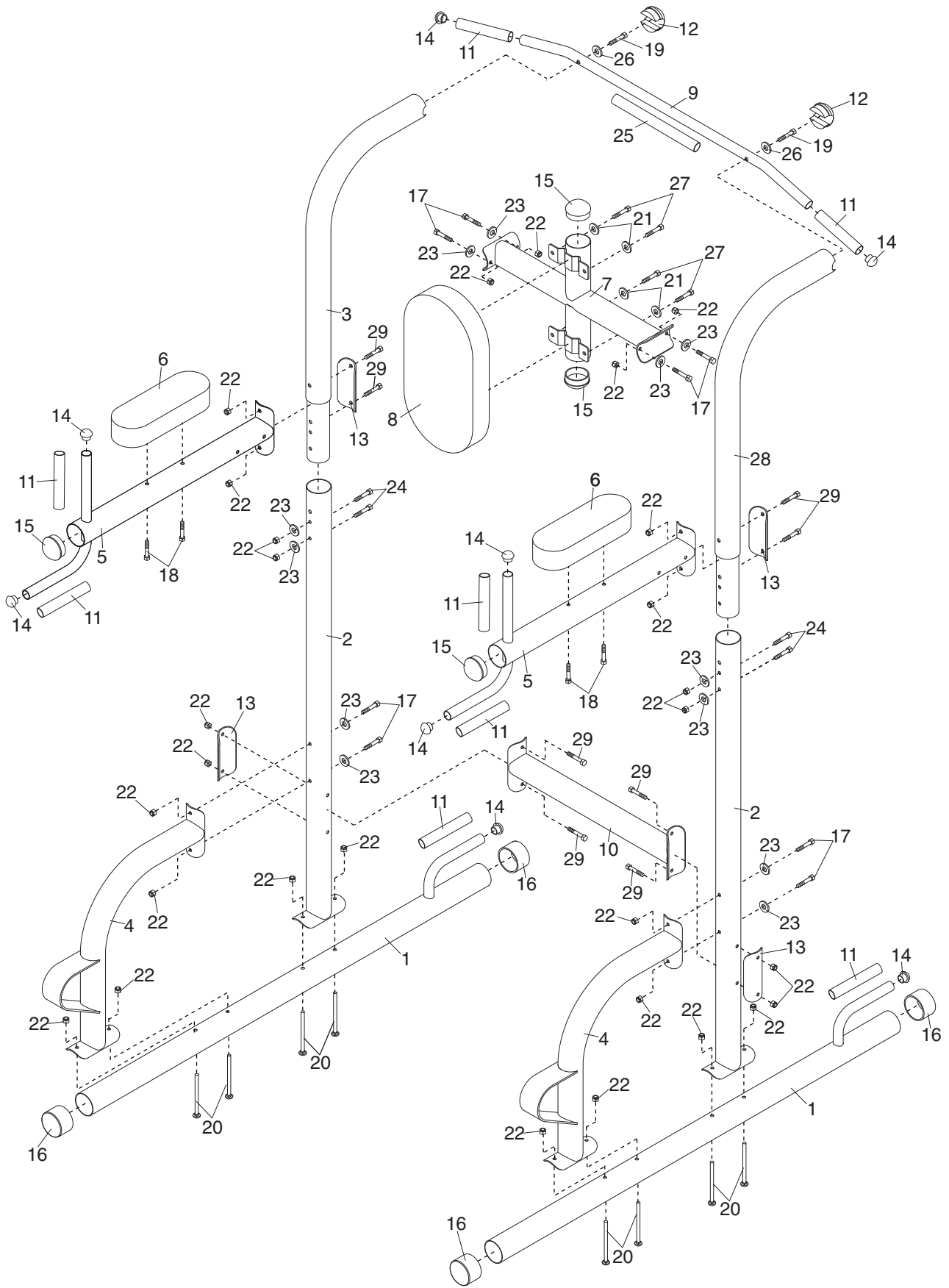
R0804A

| Key No. | Qty. | Description     | Key No. | Qty. | Description             |
|---------|------|-----------------|---------|------|-------------------------|
| 1       | 2    | Stabilizer      | 16      | 4    | 60mm Outer Endcap       |
| 2       | 2    | Upright Base    | 17      | 8    | M8 x 75mm Bolt          |
| 3       | 1    | Right Upright   | 18      | 4    | M6 x 73mm Screw         |
| 4       | 2    | Support         | 19      | 2    | M10 x 50mm Screw        |
| 5       | 2    | Dip Arm         | 20      | 8    | M8 x 68mm Carriage Bolt |
| 6       | 2    | Arm Pad         | 21      | 4    | M6 Washer               |
| 7       | 1    | Top Crossbar    | 22      | 28   | M8 Nylon Locknut        |
| 8       | 1    | Backrest        | 23      | 12   | M8 Washer               |
| 9       | 1    | Pull-up Bar     | 24      | 4    | M8 x 68mm Bolt          |
| 10      | 1    | Bottom Crossbar | 25      | 1    | Foam Grip               |
| 11      | 8    | Handgrip        | 26      | 2    | M10 Washer              |
| 12      | 2    | Rubber Endcap   | 27      | 4    | M6 x 16mm Screw         |
| 13      | 4    | Support Plate   | 28      | 1    | Left Upright            |
| 14      | 8    | 25mm Endcap     | 29      | 8    | M8 x 77mm Bolt          |
| 15      | 4    | 60mm Endcap     | #       | 1    | User's Manual           |

Note: “#” indicates a non-illustrated part. Specifications are subject to change without notice. See the back cover of this manual for information about ordering replacement parts.

# EXPLODED DRAWING—Model No. WEBE09140

R0804A



---

# ORDERING REPLACEMENT PARTS

To order replacement parts, call our Customer Service Department toll-free at 1-877-992-5999, Monday through Friday, 6 a.m. until 6 p.m. Mountain Time (excluding holidays). To help us assist you, please be prepared to give the following information when calling:

- The MODEL NUMBER of the product (WEBE09140)
- The NAME of the product (WEIDER® 200 exercise rack)
- The SERIAL NUMBER of the product (see the front cover of this manual)
- The KEY NUMBER and DESCRIPTION of the desired part(s) (see the PART LIST and the EXPLODED DRAWING in the center of this manual)

---

## LIMITED WARRANTY

ICON Health & Fitness, Inc. (ICON), warrants this product to be free from defects in workmanship and material, under normal use and service conditions, for a period of ninety (90) days from the date of purchase. This warranty extends only to the original purchaser. ICON's obligation under this warranty is limited to replacing or repairing, at ICON's option, the product through one of its authorized service centers. All repairs for which warranty claims are made must be pre-authorized by ICON. This warranty does not extend to any product or damage to a product caused by or attributable to freight damage, abuse, misuse, improper or abnormal usage or repairs not provided by an ICON authorized service center; products used for commercial or rental purposes; or products used as store display models. No other warranty beyond that specifically set forth above is authorized by ICON.

ICON is not responsible or liable for indirect, special or consequential damages arising out of or in connection with the use or performance of the product or damages with respect to any economic loss, loss of property, loss of revenues or profits, loss of enjoyment or use, costs of removal or installation or other consequential damages of whatsoever nature. Some states do not allow the exclusion or limitation of incidental or consequential damages. Accordingly, the above limitation may not apply to you.

The warranty extended hereunder is in lieu of any and all other warranties and any implied warranties of merchantability or fitness for a particular purpose is limited in its scope and duration to the terms set forth herein. Some states do not allow limitations on how long an implied warranty lasts. Accordingly, the above limitation may not apply to you.

This warranty gives you specific legal rights. You may also have other rights which vary from state to state.

**ICON HEALTH & FITNESS, INC., 1500 S. 1000 W., LOGAN, UT 84321-9813**