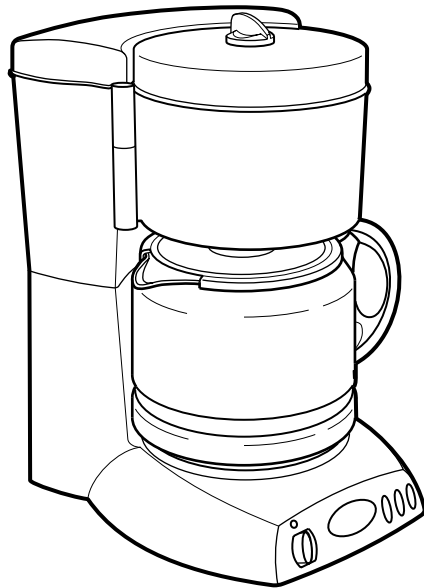




Coffeemaker



Coffeemaker Safety	2	Cleaning	7
Parts and Features	3	Troubleshooting	9
Using Your Coffeemaker	4	Customer Assistance	10
Optional Features	5		

For Customer Assistance Please Call: 1-877-556-0973

Coffeemaker Safety

IMPORTANT SAFEGUARDS

When using electrical appliances, basic safety precautions should always be followed to reduce the risk of fire, electric shock, and/or injury to persons, including the following:

1. Read all instructions.
2. Do not touch hot surfaces. Use handles or knobs. Care must be taken, as burns can occur from touching hot parts or from spilled, hot liquid.
3. To protect against electric shock, do not place cord, plug or coffeemaker in water or other liquid.
4. Close supervision is necessary when any appliance is used by or near children.
5. Unplug from outlet when either the coffeemaker or clock is not in use and before cleaning. Allow to cool before putting on or taking off parts and before cleaning the appliance.
6. Coffeemaker must be operated on a flat surface away from the edge of counter to prevent accidental tipping.
7. Do not operate any appliance with a damaged cord or plug, or after the appliance malfunctions or is dropped or damaged in any manner. Call our toll-free customer assistance number for information on examination, repair, or adjustment.
8. The use of an accessory not evaluated for use with this appliance may cause injuries.
9. Do not use outdoors.
10. Do not let cord hang over edge of table or counter or touch hot surfaces, including stove.
11. The carafe is designed for use with this coffeemaker. It must never be used on a range top or in a microwave oven.
12. Do not set a hot carafe on a wet or cold surface.
13. Do not use a cracked carafe or one with a loose or weakened handle.
14. Do not clean carafe with cleansers, steel wool pads, or other abrasive cleaners.
15. Be certain carafe lid is securely in place during brew cycle and when pouring coffee. Do not use force when placing lid on carafe.
16. Do not place coffeemaker on or near a hot gas or electric burner or in a heated oven.
17. To disconnect coffeemaker, turn controls to OFF; then remove plug from wall outlet.
18. Warning: To reduce the risk of fire or electric shock, do not remove the bottom cover. No user serviceable parts are inside. Repair should be done by authorized service personnel only.
19. Do not use appliance for other than intended use.

SAVE THESE INSTRUCTIONS!

Consumer Safety Information

This appliance is intended for household use only.

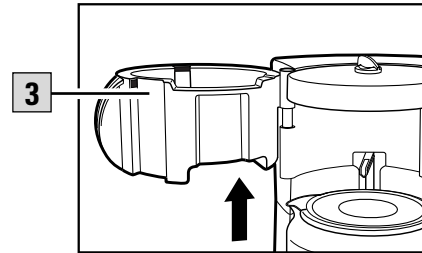
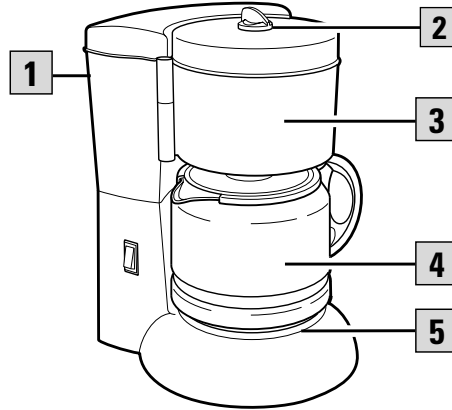
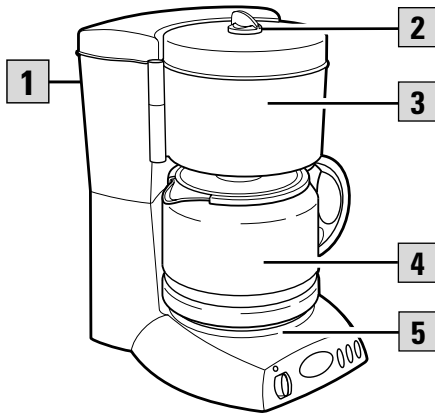
This appliance is equipped with a polarized plug. This type of plug has one blade wider than the other. The plug will fit into an electrical outlet only one way. This is a safety feature intended to help reduce the risk of electrical shock. If you are unable to insert the plug into the outlet, try reversing the plug. If the plug should still fail to fit, contact a qualified electrician to replace the obsolete outlet. Do not attempt to defeat the safety purpose of the polarized plug by modifying the plug in any way.

The length of the cord used on this appliance was selected to reduce the hazards of becoming tangled in, or tripping over a longer cord. If a longer cord is necessary an approved extension cord may be used. The electrical rating of the extension cord must be equal to or greater than the rating of the coffeemaker. Care must be taken to arrange the extension cord so that it will not drape over the countertop or tabletop where it can be pulled on by children or accidentally tripped over.

To avoid an electrical circuit overload, do not use another high wattage appliance on the same circuit with your coffeemaker.

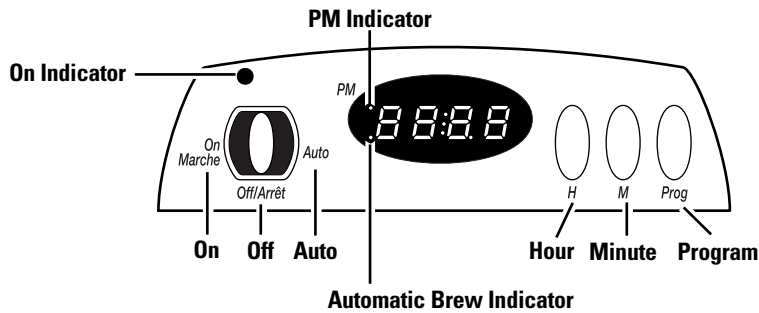
Parts and Features

- 1** Reservoir
- 2** Brew Select Knob
- 3** Swing-Open Filter Basket
- 4** Carafe
- 5** Keep-Hot Plate



Clock model features 2-hour Automatic Shutoff

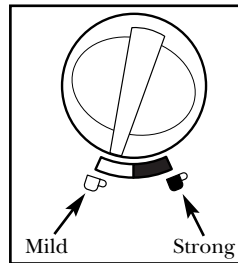
Control Panel (for clock model)



Using Your Coffeemaker

How To Make Coffee

1. Plug in coffeemaker and set clock if clock model. See "To Set the Clock and Program Automatic Brew."
2. Before first use, wash carafe. See "To Clean The Coffeemaker Parts." Then run one full carafe of clean water through a complete cycle by following steps 6 through 10.
3. To make coffee, swing open removable filter basket. Place disposable paper filter in filter basket. Use a good quality cupcake (basket) style filter, 8 to 12 cup size. A permanent filter may also be used.
4. For each cup of coffee being made, place one level measuring tablespoon of ground coffee into filter.
5. Close filter basket, making sure it is securely snapped closed.
6. Fill carafe with the desired amount of cold water. Flip open reservoir cover and pour into reservoir. Flip reservoir cover down to close.
7. Place carafe with carafe lid attached on Keep-Hot Plate. Select Mild to Strong coffee by turning the Brew Select Knob to desired setting.
8. Turn coffeemaker ON.
9. If clock or auto shutoff model, the coffeemaker will shut off in 2 hours.
10. When finished, turn OFF and unplug.



To Set the Clock and Program Automatic Brew

(clock models only)

1. Plug in coffeemaker. The numbers on the clock will flash until the time is set or the coffeemaker is turned on.
2. Press the **H** button until the current hour is displayed. A red dot will glow to indicate PM. Press the **M** button until the current minute is displayed. The clock is now set.
3. To program coffeemaker to automatically begin brewing, press and hold the **Prog** button while pressing the **H** button to set hours and then press the **M** button to set minutes until the desired brew time is displayed.
4. To have coffeemaker automatically begin brewing, move the switch from **Off** to **Auto**. A red dot will glow in the lower left corner to indicate the coffeemaker is ready to begin automatic brewing.
5. The coffeemaker will shut off two hours after brewing begins.

Tips to Brew Good Coffee

Quality coffee comes from quality ingredients. For the best coffee, you should **start with freshly ground coffee** from freshly roasted beans. The beans can be purchased and stored in an airtight container. Just prior to brewing,

remove the amount needed and grind the beans. Once the bean is broken, the intense, rich flavor begins to deteriorate.

The **amount of coffee** to water depends upon personal preference. One tablespoon of ground coffee per cup is recommended.

If using a **blade-type coffee grinder**, shake it occasionally during grinding to redistribute the whole beans for a more uniform grind. Experiment to find the right grind for your coffeemaker and taste. If the beans are ground too finely, it will produce a bitter taste. If ground too coarsely the coffee will taste weak and watery.

Some **specialty coffees** recommend using more than one tablespoon of ground coffee per cup. Your new coffeemaker is designed to brew good quality coffee using less amounts of ground coffee. One level tablespoon of ground coffee per cup is recommended. Of course, the amount of ground coffee used depends upon your personal preference.

The **quality of your drinking water** will affect the flavor of your coffee. If you do not drink water straight from the tap, do not use it to make coffee. If your

water has an off-taste or smell, or if you have extremely hard water, use bottled drinking water or filtered water to make coffee. If the water is from the tap, it should be freshly drawn and cold for the best coffee flavor.

Automatic coffeemakers generally use a **5-ounce cup size**. The coffeemaker's carafe and reservoir are marked in "cups" for easy measuring.

Try different **flavored coffees** and flavored creamers available at supermarkets or specialty coffee stores. Regular coffee can be flavored at home. Add a sprinkle of cinnamon* or a drop of a pure extract-like almond, vanilla, or mint—to the ground coffee before brewing. For a mocha flavor, stir a spoon of chocolate syrup or instant cocoa mix to each cup of brewed coffee.

* (Too much cinnamon may clog the filter causing basket overflow.)

Optional Features (available on selected models)

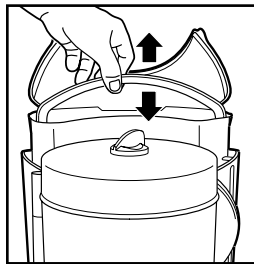
Pause 'N Serve

This feature allows you to pour a cup of coffee before the entire brew cycle has completed. By removing the carafe, the flow of coffee from the bottom of the filter basket will stop.

CAUTION: The carafe should be replaced within 20 seconds. The flow of coffee will resume when carafe is returned to the Keep-Hot Plate.

10-Cup Removable Water Reservoir

Please wash before first use. Hand wash or place in top rack of automatic dishwasher. The 10-cup reservoir can be removed for easy filling or occasional washing. Simply flip open reservoir cover and raise the removable reservoir han-



dle. Lift out the removable reservoir and fill with water to desired level. Carefully place removable reservoir back into the coffeemaker's reservoir. Make sure the removable reservoir is fully seated for proper water flow. When using the removable reservoir it is only possible to make a 10-cup pot of coffee, as the water level marks indicate. To make a full 12-cup carafe, remove the removable reservoir and fill the coffeemaker's reservoir.

Optional Features (continued)

Automatic Shutoff

The Automatic Shutoff feature shuts off the Keep-Hot Plate 2 hours after brew cycle begins. Always turn coffeemaker OFF and unplug when finished.

Permanent Filter

The Permanent Filter takes the place of disposable paper filters. Simply place the Permanent Filter in the filter basket. Please rinse the Permanent Filter in hot water before first use. Clean Permanent Filter under hot running water. Let dry.

The Permanent Filter can be washed in the top rack of automatic dishwasher.

NOTE: If grinding coffee in a coffee mill for use in a permanent filter, do not grind too finely. This may clog the filter, causing overflow.

How to Make Tea

The tea infusor displaces some of the water in the carafe so we recommend making not more than 10 cups of tea.

Before first use of the tea infusor, wash and rinse.

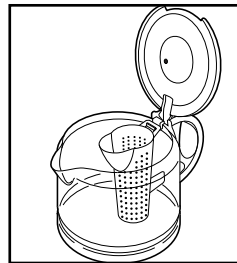
If you use the unit to make coffee, make sure that all washable parts of the coffeemaker have been washed to remove any coffee residue or taste.

When using tea bags, you may leave the string attached but remove the paper label.

Do not use Auto Pause 'N Serve while brewing tea. Do not remove carafe until brewing cycle is complete.

1. Plug in coffeemaker and set clock model.
2. Fill carafe with desired amount of cold water. Do not exceed the 10-cup level. Flip open reservoir cover and pour into reservoir.

3. Place desired amount of tea bags or loose tea into tea infusor. If using tea bags, gently push bags to bottom of tea infusor. Place inside carafe as illustrated. Close carafe lid.



4. Place carafe with carafe lid attached on Keep-Hot Plate.
5. Press the On button or switch.
6. When the unit has finished brewing tea, the tea is ready to serve. For strong tea, let steep for several minutes before serving. To serve, open the carafe lid and carefully remove the tea infusor before pouring from the carafe.

CAUTION: Escaping steam may burn. Empty infusor immediately to avoid staining.

7. The tea is now ready to serve.
 8. If a clock model, the coffeemaker will shut off in 2 hours. When finished, press the Off button or switch. Then unplug.
 9. The tea infusor should be washed in hot, soapy water. Then rinse and dry. The infusor can also be washed in the top rack of the dishwasher.
- Tea strength is a personal choice. The following amounts are only guidelines.

TEA CHART

Water Level in Carafe	Standard Tea Bags	OR	Loose Tea
10 cup	4		10 teaspoons
8 cup	3		8 teaspoons
6 cup	2		6 teaspoons
4 cup	1		4 teaspoons

Cleaning

To Clean the Inside of the Coffeemaker

1. Place empty carafe on Keep-Hot Plate. Firmly close filter basket.
2. Pour one pint of plain white vinegar into the reservoir.
3. Plug in coffeemaker and turn ON.
4. After 30 seconds turn OFF.
5. Wait 30 minutes to allow the vinegar to clean. Then turn ON again. When the brew cycle is finished, turn OFF.
6. Empty carafe and rinse. Pour one carafe of cold tap water into the reservoir. Place carafe on Keep-Hot Plate.
7. Turn ON. When the brew cycle is finished, empty the carafe. Repeat this process with one more carafe of cold tap water.
8. Turn OFF when complete.
9. Wash carafe and filter basket.

To Clean the Coffeemaker Parts

1. Unplug coffeemaker and allow to cool before cleaning.
2. Wipe Keep-Hot Plate with a clean, damp cloth. Do not use abrasives.
3. Occasionally wipe the water spreader area, located above the filter basket, with a clean, damp cloth.
4. To remove the carafe lid, push the hinge part of the lid to one side, then twist and lift the other side. The pin will release from the hinge. Then remove lid.
5. The carafe, carafe lid, and removable filter basket may be washed in the top rack of automatic dishwasher or in hot, soapy water. Rinse and dry.
6. To remove stains on the carafe, scrub with baking soda or a mild cleanser. For hard-to-remove stains, fill the carafe with hot tap water and add 2 tablespoons of automatic dishwasher detergent. Let this sit overnight; then wash and rinse.
7. All other outside surfaces of the coffeemaker can be cleaned with a clean, damp cloth.

Carafe Safety Precautions



This symbol alerts you to the potential danger for personal injury if you fail to read and follow these safety precautions.



This symbol reminds you that glass is fragile and can break which could result in personal injury.

- Do not use a cracked carafe or a carafe having a loose or weakened handle.
- This carafe is designed to be used only on the Keep-Hot Plate of your coffeemaker. Do not use on a gas or electric rangetop, or in a microwave or conventional oven.
- To avoid breakage, handle carafe with care. Avoid impact. Glass will break as a result of impact. Use care when filling with water to avoid hitting faucet.
- Do not place hot carafe on cool or wet surface. Allow to cool before washing or adding liquids.
- Do not set empty carafe on a hot heating surface.
- Do not clean carafe with steel wool pads, abrasive cleanser or any other materials that may scratch.
- Do not place hands inside carafe. When handling, be careful if wearing any hand jewelry, especially diamond rings. Jewelry can scratch the glass, which increases possibility of breakage.
- Do not bump, scratch, or boil dry the carafe.
- Discard carafe if it is cracked, scratched, or heated while empty for an extended period of time.
- To avoid accidents, do not pour in the direction of people.
- If stirring in the carafe, use only wooden, plastic, or rubber utensils. Do not use metal utensils.
- Follow the above safety precautions carefully to avoid serious burn injuries which may result if breakage occurs while carafe holds heated liquids.

Troubleshooting

Most questions you may have about your new coffeemaker can be easily answered. This handy guide lists some common coffeemaker problems and tells you how to correct them. If you need further assistance, please call our toll-free customer assistance number listed on the front cover of this booklet and found on the back of the coffeemaker.

Problem	To Correct Problem
Doesn't brew or won't heat.	<ul style="list-style-type: none"> • Check to be sure power cord is firmly plugged into a live power outlet. • The Automatic Shutoff feature turns the coffeemaker off two hours after making the coffee. Turn coffeemaker OFF then back to ON. • For clock models, if power has been interrupted the automatic brew time must be reset.
Filter Basket or Pause 'N Serve overflows.	<ul style="list-style-type: none"> • Excessive amounts of ground coffee will clog the filter basket. One level tablespoon of ground coffee per cup is recommended. • Make sure coffee is not ground too finely. This will clog the filter. Permanent filters are more likely to clog than paper filters. • Be sure to use a good quality cupcake or basket style filter. The sides of the filter should be upright against side of filter basket to avoid filter collapsing. • When using Pause 'N Serve, hot water continues to flow into the filter basket and may overflow if the carafe is not returned to the Keep-Hot Plate within 20 seconds. • Make sure that carafe is fully seated on the Keep-Hot Plate. • Filter basket must be securely closed.
Longer than normal brew time.	<ul style="list-style-type: none"> • Mineral deposits can build up in the pump of your coffeemaker. Periodic cleaning of the inside of your coffeemaker is recommended. More frequent cleaning may be necessary, depending upon the hardness of your water. See "Cleaning instructions." • If using the removable reservoir, make sure it is firmly seated in coffeemaker's reservoir.

Customer Assistance

If you have a claim under this warranty, please call our Customer Assistance Number. For faster service please have model, series, and type numbers ready for operator to assist you. These numbers can be found on the bottom of your coffeemaker.

MODEL: _____ **TYPE:** _____ **SERIES:** _____

Customer Assistance Number 1-877-556-0973

Keep this number for future reference!

E-mail inquiries: www.gehousewares.com

Two-Year Limited Warranty

What does your warranty cover?

- Any defect in material or workmanship.

For how long after the original purchase?

- Two years.

What will we do?

- Provide you with a new one.

How do you make a warranty claim?

- Save your receipt.
- Properly pack your unit. We recommend using the original carton and packing materials.
- Return the product to your nearest WAL-MART store or call Customer Assistance at 1-877-556-0973.

What does your warranty not cover?

- Glass parts, glass containers, cutter/strainer, blades and/or agitators.
- Commercial use or any other use not found in printed directions.
- Damage from misuse, abuse, or neglect.
- Products purchased or serviced outside Canada.

How does provincial law relate to this warranty?

- This warranty gives you specific legal rights, and you may also have other rights which vary from province to province.
- WAL-MART expressly disclaims all responsibility for consequential damages or incidental losses caused by use of this appliance. Some provinces do not allow this exclusion or limitation of incidental or consequential losses so the foregoing disclaimer may not apply to you.

What if you purchased your product in the U.S., Canada or Mexico and encounter a problem while using it outside the country of purchase?

- The warranty is valid only in the country of purchase and if you follow the warranty claim procedure as noted.



is a trademark of
General Electric Company
and is used under license
by WAL-MART.

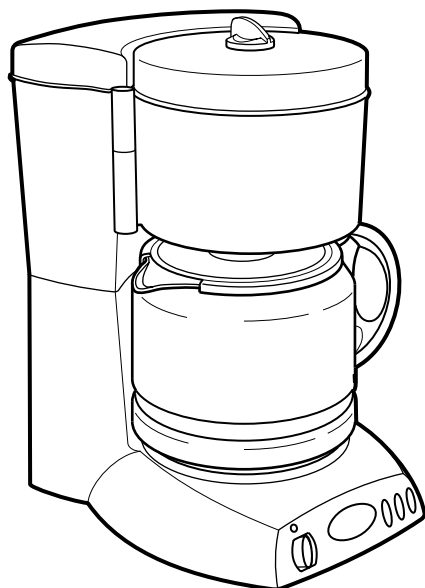
840092300

WAL-MART Canada Corp.
Mississauga, Ontario L5N 1P9

12/01



Cafetière



Sécurité de la cafetière	2	Nettoyage.....	7
Nomenclature	3	Dépannage.....	9
Utilisation de votre cafetière	4	Assistance à la clientèle	10
Caractéristiques facultatives	5		

Pour l'assistance à la clientèle, composer le 1-877-556-0973

Sécurité de la cafetière

PRÉCAUTIONS IMPORTANTES

Lorsque vous utilisez des appareils électriques, vous devriez toujours prendre des précautions élémentaires afin de réduire les risques d'incendie, de choc électrique et/ou de blessures corporelles. Voici quelques consignes à suivre :

1. Lisez toutes les directives.
2. Ne touchez pas aux surfaces chaudes. Utilisez les poignées ou les boutons. Vous devez être très prudent car vous pourriez vous brûler en touchant des pièces chaudes ou en renversant un liquide chaud.
3. Afin de vous prémunir contre les chocs électriques, ne plongez pas le cordon d'alimentation, la fiche ou la cafetière dans l'eau ou tout autre liquide.
4. Surveillez attentivement les enfants lorsque ceux-ci utilisent l'appareil ou se trouvent à proximité de celui-ci.
5. Débranchez l'appareil de la prise de courant lorsque vous ne vous servez pas de la cafetière ou de l'horloge ou avant de le nettoyer. Laissez-le refroidir avant d'enlever ou de remettre en place des pièces ou de nettoyer l'appareil.
6. Lorsque la cafetière est en marche, elle doit toujours se trouver sur une surface plate et loin du bord du comptoir pour éviter tout contact accidentel qui pourrait la renverser.
7. Ne pas faire fonctionner un appareil avec un cordon ou une fiche endommagés, ou lorsque l'appareil ne fonctionne pas bien, est tombé ou a été endommagé d'une manière quelconque. Composer notre numéro d'assistance à la clientèle sans frais d'interurbain, pour des renseignements concernant l'examen, la réparation ou le réglage électrique ou mécanique.
8. L'utilisation d'accessoires qui ne sont pas recommandés par le fabricant de l'appareil peut causer un incendie, un choc électrique ou une blessure corporelle.
9. N'utilisez pas à l'extérieur.
10. Ne laissez pas le cordon pendre au bord d'une table ou d'un comptoir ou entrer en contact avec une surface chaude y compris la cuisinière.
11. La verseuse est conçue pour être utilisée avec cette cafetière. Elle ne doit jamais être utilisée sur la cuisinière ou dans un four à micro-ondes.
12. Ne laissez pas une verseuse chaude sur une surface froide ou humide.
13. N'utilisez pas une verseuse fêlée ou dont la poignée est desserrée.
14. Ne nettoyez pas la verseuse avec des nettoyants abrasifs, tampons en laine d'acier ou autres matériaux abrasifs.
15. Assurez-vous que le couvercle est bien fermé durant la préparation du café et lorsque vous le versez; ne forcez pas le couvercle lorsque vous le posez sur la verseuse.
16. Ne placez pas la cafetière près d'un brûleur électrique ou à gaz, ou dans un four chaud.
17. Pour débrancher la cafetière, placez l'interrupteur à la position ARRÊT, puis enlevez la fiche de la prise de courant.
18. Avertissement : afin de diminuer le risque d'incendie ou de choc électrique, n'enlevez pas le couvercle du dessous. Il ne s'y trouve aucune pièce réparable. Toute réparation ne devrait être effectuée que par un technicien autorisé.
19. N'utilisez cet appareil qu'aux fins pour lesquelles il a été conçu.

CONSERVEZ CES INSTRUCTIONS

Renseignements pour la sécurité du consommateur

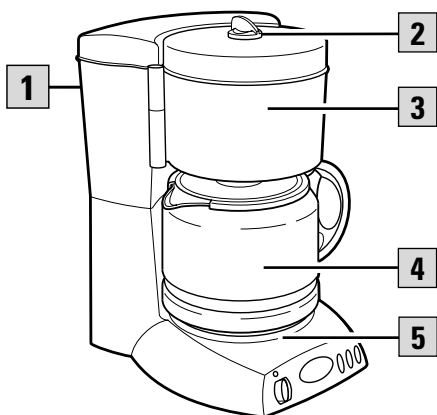
Cet appareil est conçu uniquement pour l'usage domestique.

Cet appareil est muni d'une fiche polarisée. Ce type de fiche présente une broche plus large que l'autre. Par mesure de sécurité, la fiche peut être introduite dans une prise que dans un sens seulement. Il s'agit d'une caractéristique de sécurité visant à réduire le risque de choc électrique. Si la fiche ne peut pas être insérée dans la prise, la tourner dans l'autre sens. Si elle ne peut toujours pas être insérée dans la prise, contacter un électricien pour qu'il remplace la prise défectueuse. Ne pas essayer de contourner l'objectif de sécurité de la fiche polarisée en la modifiant de quelque manière que ce soit.

La longueur du cordon de cet appareil a été choisie de façon à ce que l'on ne risque pas de trébucher dessus. Si un cordon plus long est nécessaire, utiliser une rallonge appropriée. Le calibrage de la rallonge doit être le même que celui de l'appareil ou supérieur. Lorsqu'on utilise une rallonge, s'assurer qu'elle ne traverse pas la zone de travail, que des enfants ne puissent pas tirer dessus par inadvertance et qu'on ne puisse pas trébucher dessus.

Afin d'éviter une surcharge électrique, évitez d'utiliser un autre appareil à haute puissance sur le même circuit que la cafetière.

- 1 Réservoir
- 2 Bouton de sélection de filtrage
- 3 Panier-filtre pivotant



Le modèle à horloge comporte un arrêt automatique après 2 heures

- 4 Verseuse
- 5 Plaque chauffante

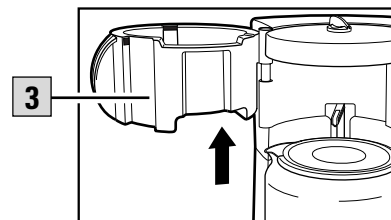
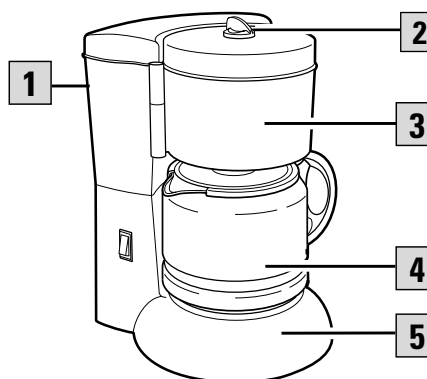
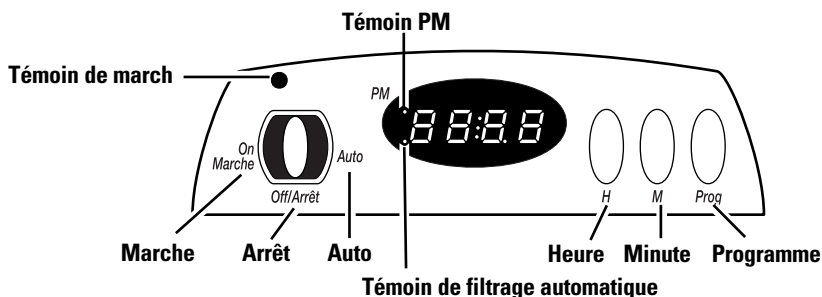


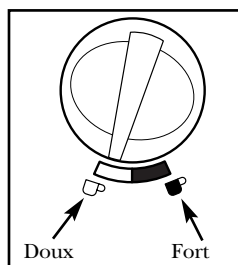
Tableau de commande (pour le modèle à horloge)



Utilisation de votre cafetière

Préparation du café

1. Branchez la cafetière et régler l'horloge le cas échéant. Voir «Réglage de l'horloge et programmation du filtrage automatique».
2. Avant la première utilisation, lavez la verseuse. Voir «Nettoyage des pièces de la cafetière». Puis faites effectuer un cycle complet avec une verseuse pleine d'eau propre en suivant les étapes 6 à 10 inclusivement.
3. Pour faire du café, faites pivoter le panier-filtre amovible. Mettez un filtre de papier jetable dans le panier-filtre. Utilisez un filtre de bonne qualité en forme de moule à muffin pour 8 à 12 tasses. Un filtre permanent peut aussi être utilisé.
4. Pour chaque tasse de café à préparer, mettez une cuillère à soupe rase de café moulu dans le filtre.
5. Fermez le panier-filtre et assurez-vous qu'il est emboîté solidement.
6. Mettez la quantité désirée d'eau froide dans la verseuse. Relevez le couvercle du réservoir et versez-y l'eau. Rabattez le couvercle.
7. Mettez la verseuse et son couvercle sur la plaque chauffante. Sélectionnez un café doux à fort en tournant le bouton de sélection au réglage désiré.



8. Mettez la cafetière en marche.
9. Si le modèle comporte une horloge ou l'arrêt automatique, la cafetière s'arrêtera dans 2 heures.
10. Éteignez et débranchez la cafetière après avoir terminé.

Réglage de l'horloge et programmation de l'infusion automatique (pour les modèles avec horloge seulement)

1. Branchez la cafetière. Les chiffres apparaissant sur l'horloge clignoteront jusqu'à ce que l'heure soit réglée ou que la cafetière soit mise en marche.
2. Appuyez sur le bouton de **H** jusqu'à ce que l'heure exacte apparaisse. Un point rouge s'illuminera dans le coin gauche supérieur pour indiquer P.M. Appuyez sur le bouton **M** jusqu'à ce que l'heure exacte apparaisse. L'horloge est maintenant réglée.
3. Afin de programmer la cafetière pour la mettre en marche automatiquement, appuyez sur le bouton **Prog** tout en appuyant sur le bouton **H** puis sur le bouton **M** jusqu'à ce que l'heure à laquelle vous désirez que le café soit prêt apparaisse.
4. Pour que la cafetière commence le filtrage automatiquement, déplacez le curseur de **Arrêt** à **Auto**. Un point rouge s'illuminera dans le coin gauche inférieur pour indiquer que la cafetière est prête à se mettre en marche automatiquement.
5. La cafetière s'éteindra 2 heures après le début de la préparation du café.

Comment préparer un café

Un café de qualité est composé d'ingrédients de qualité. Utilisez du **café frais moulu** provenant de grains torréfiés. Les grains peuvent être achetés et congelés dans un récipient scellé. Retirez la quantité de grains nécessaires et moulez-les tout juste avant la préparation du café. Une fois que le grain a été moulu, la saveur riche et intense du café commence à diminuer.

La **proportion** d'eau et de **café** dépend de vos goûts. Nous vous recommandons d'utiliser une c. à soupe de café moulu par tasse.

Si on utilise un **moulin à café de type avec lame**, secouez-le de temps à autre pendant le broyage pour redistribuer les grains entiers afin qu'ils fournissent un café moulu plus uniforme. Faites des expériences pour découvrir le bonne mouture pour votre cafetière et votre goût. Si les grains sont moulus trop finement, ils produiront un goût amer. Si la mouture est trop épaisse, le café aura un goût faible et aqueux.

Lorsqu'on prépare certains cafés **de spécialité**, il est nécessaire de verser plus d'une c. à soupe de café moulu par tasse. Votre nouvelle cafetière est conçue pour préparer du bon café en utilisant le moins de café moulu possible. Nous recommandons d'utiliser une c. à soupe de café moulu par tasse. Évidemment, la quantité de café moulu utilisée dépend de vos goûts.

La **qualité de votre eau potable** affecte la saveur du café. Si vous ne buvez pas l'eau du robinet, n'utilisez pas celle-ci pour préparer votre café. Si votre eau possède un goût ou une odeur bizarre, utilisez de l'eau potable en bouteille ou de l'eau filtrée pour préparer le café. Si l'eau provient du robinet, elle doit être fraîchement puisée et froide pour donner la meilleure saveur de café.

Les cafetières automatiques utilisent en général un **format de tasse de 5 oz.** La verseuse de la cafetière et le réservoir sont marqués en «tasses» pour faciliter le mesurage.

Essayez différents **cafés aromatisés** et colorants à café aromatisés disponibles dans les supermarchés ou les magasins de cafés de spécialité. Le café ordinaire peut être aromatisé à domicile.

Ajoutez une pincée de cannelle*, ou une goutte d'extraits purs comme amande, vanille ou menthe, au café moulu avant le filtrage. Pour une saveur au moka, mélangez une cuillerée de sirop de chocolat ou de mélange de cacao instantané à chaque tasse de café filtrée.

* (Trop de cannelle peut obstruer le filtre causant le renversement du panier.)

Caractéristiques facultatives

(disponibles sur certains modèles)

Comment préparer le thé

L'infuseur à thé occupe un certain volume dans la verseuse et nous recommandons donc de ne pas préparer plus de 10 tasses de thé.

Lavez et rincez l'infuseur à thé avant la première utilisation.

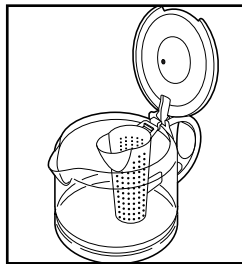
Si la cafetière est utilisée pour la préparation du café, assurez-vous que toutes

ses pièces lavables ont été lavées pour éliminer tout résidu ou goût de café.

Lors de l'utilisation de sachets de thé, on peut laisser le fil, mais il est préférable d'enlever l'étiquette de papier.

N'utilisez pas Pause et service durant l'infusion. Ne retirez pas la verseuse avant la fin du cycle d'infusion.

1. Branchez la cafetière et réglez l'horloge le cas échéant.
2. Mettez la quantité désirée d'eau froide dans la verseuse. Ne dépassez pas le niveau de 10 tasses. Relevez le couvercle du réservoir et versez-y l'eau.



3. Mettez le nombre de sachets de thé désiré ou du thé en vrac dans l'infuseur. Dans le cas de sachets, poussez-les gentiment jusqu'au fond de l'infuseur. Placez ce dernier dans

la verseuse comme dans l'illustration. Fermez le couvercle de la verseuse.

4. Placez la verseuse et son couvercle sur la plaque chauffante.
5. Appuyez sur le bouton ou l'interrupteur Marche.

6. Lorsque l'appareil a terminé l'infusion, le thé est prêt à servir. Pour un thé fort, le laissez reposer quelques minutes avant de le servir. Pour servir, ouvrez le couvercle de la verseuse et retirez l'infuseur avec précaution avant de verser avec la verseuse.

MISE EN GARDE : La vapeur qui s'échappe peut causer des brûlures. Videz l'infuseur immédiatement pour éviter qu'il se tache.

7. Le thé est maintenant prêt à servir.
8. S'il s'agit d'un modèle à horloge, la cafetière s'éteindra dans 2 heures. Appuyez sur le bouton ou l'interrupteur Arrêt après avoir terminé, puis débranchez la cafetière.
9. L'infuseur à thé devrait être lavé à l'eau chaude savonneuse, puis être rincé et séché. L'infuseur peut aussi être lavé dans le panier supérieur du lave-vaisselle.

La force du thé est un choix personnel. Les quantités suivantes ne sont données qu'à titre indicatif.

TABLEAU DE THÉ

Niveau d'eau dans la verseuse	Sachets de thé standard	OU	Thé en vrac
10 tasses	4		10 c. à thé
8 tasses	3		8 c. à thé
6 tasses	2		6 c. à thé
4 tasses	1		4 c. à thé

Pause et service

Cette fonction est conçue pour vous permettre de verser une tasse de café avant que le cycle de préparation n'ait été complété. En enlevant la verseuse, l'écoulement du café à la base du panier du filtre s'arrêtera.

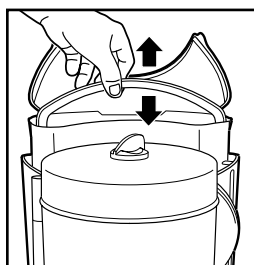
ATTENTION : La verseuse doit être replacée dans un délai de 20 secondes. Le café recommencera à couler dès que la verseuse sera remise en place sur la plaque chauffante.

Arrêt automatique

L'arrêt automatique permet d'éteindre la plaque chauffante 2 heures après que le cycle de préparation a commencé. Éteignez la cafetière et débranchez-la lorsque vous avez terminé.

Caractéristiques facultatives (suite)

Réservoir d'eau amovible pour 10 tasses



Veillez laver avant la première utilisation. Lavez le réservoir à la main ou placez-le dans le panier supérieur du lave-vaisselle automatique. Le réservoir de 10 tasses peut être facilement

enlevé pour le remplissage ou le lavage occasionnel. Soulevez tout simplement le couvercle du réservoir et soulevez la

poignée amovible du réservoir. Retirez le réservoir amovible et remplissez-le d'eau au niveau désiré. Placez soigneusement le réservoir amovible en place dans le réservoir de la cafetière. Assurez-vous que le réservoir amovible est bien en place pour un écoulement approprié de l'eau. Lors de l'utilisation du réservoir amovible, il est seulement possible de faire une quantité de café de 10 tasses, tel que l'indique la marque du niveau de l'eau. Pour préparer une verseuse de 12 tasses, enlevez le réservoir amovible et remplissez le réservoir de la cafetière.

Filtre permanent

Le filtre permanent remplace les filtres jetables en papier. Placez tout simplement le filtre permanent dans le panier de filtre. Veillez rincer le filtre permanent dans l'eau chaude avant de l'utiliser pour la première fois. Nettoyez le filtre permanent sous l'eau chaude courante. Laissez sécher. Le filtre per-

manent peut être placé dans le panier supérieur du lave-vaisselle.

REMARQUE : si le café est moulu dans un moulin à café avant d'être versé dans le filtre permanent, évitez de le moudre trop fin. Cela pourrait bloquer le filtre et causer un débordement.

Nettoyage

Pour nettoyer l'intérieur de la cafetière :

1. Placez la verseuse vide sur la plaque chauffant. Fermez bien le panier-filtre.
2. Versez une chopine de vinaigre blanc dans du réservoir.
3. Branchez la cafetière et mettez-la en marche.
4. Après 30 secondes, arrêtez la cafetière.
5. Attendez 30 minutes pendant que le vinaigre nettoie la cafetière. Puis remettez celle-ci en marche. Lorsque le cycle de préparation est complété, fermez-la de nouveau.
6. Videz la verseuse et rincez-la. Remplissez la verseuse d'eau froide et versez le liquide dans le réservoir. Placez la verseuse sur la plaque chauffante.
7. Placez l'interrupteur à la position MARCHE. Lorsque le cycle est complété, videz la verseuse. Répétez l'opération en ajoutant la même quantité d'eau froide.
8. Arrêtez la cafetière lorsque le processus est terminé.
9. Lavez la verseuse et le panier-filtre.

Nettoyage des pièces de la cafetière :

1. Débranchez la cafetière et laissez-la refroidir avant le nettoyage.
2. Essuyez la plaque chauffante avec un linge humide et propre. N'employez pas de nettoyant abrasif.
3. De temps à autre, essuyez l'endroit où se répand l'eau, situé au-dessus du panier-filtre, avec un linge propre et humide.
4. Pour enlever le couvercle de la verseuse, poussez la partie de la charnière du couvercle sur un côté, puis tordez et soulevez l'autre côté. La tige se dégagera de la charnière. Enlevez ensuite le couvercle.
5. La verseuse, le couvercle de la verseuse et le panier-filtre amovible peuvent être lavés dans le panier supérieur du lave-vaisselle ou à l'eau chaude savonneuse. Rincez et séchez.
6. Pour enlever les taches sur la verseuse, frottez avec du bicarbonate de sodium ou un nettoyant doux. Pour enlever les taches tenaces, remplissez la verseuse avec de l'eau chaude du robinet et ajoutez 2 c. à soupe de détergent pour lave-vaisselle. Laissez reposer pendant la nuit, ensuite lavez et rincez.
7. Toutes les autres surfaces externes de la cafetière peuvent être nettoyées avec un linge propre et humide.

Précautions à prendre avec la verseuse



Ce symbole vous indique les dangers possibles de blessures corporelles si vous omettez de lire et de suivre ces précautions de sécurité.



Ce symbole vous rappelle que le verre est fragile et qu'une brisure peut entraîner des blessures corporelles.

- N'utilisez jamais une verseuse fêlée ou dont la poignée est desserrée.
- Cette verseuse est conçue pour être utilisée uniquement sur la plaque chauffante de votre cafetière. Ne pas l'utiliser sur le dessus d'une cuisinière électrique ou à gaz, ou dans un four à micro-ondes ou conventionnel.
- Pour éviter de la briser, manipulez la verseuse avec soin. Évitez tout impact car le verre cassera. Lorsque vous la remplissez d'eau, agissez avec précaution pour éviter de heurter un robinet.
- Ne placez pas la verseuse chaude sur une surface froide ou humide. Laissez-la refroidir avant de la nettoyer ou d'y verser un liquide.
- Ne laissez pas une verseuse vide sur une surface chauffante.
- Ne nettoyez pas la verseuse avec des tampons en laine d'acier, un nettoyant abrasif ou tout autre matériau qui risque de l'égratigner.
- Ne pas insérer les mains dans la verseuse. Manipulez celle-ci avec soin si vous portez des bijoux, particulièrement des bagues à diamant. Les bijoux peuvent égratigner le verre, ce qui augmente la possibilité de casse.
- Évitez de heurter ou d'égratigner la verseuse ou d'en laisser l'eau s'évaporer complètement.
- Jetez la verseuse lorsque celle-ci est craquelée, égratignée, ou chauffée à vide durant une longue période de temps.
- Afin d'éviter les accidents, ne versez pas le liquide en faisant face aux gens.
- Pour remuer le liquide dans la verseuse, n'utilisez que des ustensiles en plastique, en bois ou en caoutchouc. N'utilisez pas d'ustensiles en métal.
- Veuillez suivre à la lettre ces précautions de sécurité pour éviter toute brûlure grave qui pourrait être causée par le bris d'une verseuse remplie de liquide chaud.

Dépannage

Il est facile d'obtenir une réponse à la plupart des questions au sujet de votre nouvelle cafetière. Ce guide pratique énumère certains problèmes courants et vous explique comment y remédier. Si vous avez besoin de plus amples renseignements, veuillez appeler le service d'assistance aux clients en composant sans frais le numéro d'assistance à la clientèle mentionné sur la couverture de ce livret et à l'arrière de la cafetière.

Problème	Mesures rectificatives
La cafetière ne fonctionne pas ou ne chauffe pas.	<ul style="list-style-type: none"> • Vérifiez si le cordon d'alimentation est bien branché dans une prise de courant fonctionnelle. • La caractéristique d'arrêt automatique éteint la cafetière deux heures après la préparation du café. Éteignez la cafetière puis remettez-la en marche. • Pour les modèles avec horloge, si le courant a été interrompu, le temps de filtrage automatique doit être réglé de nouveau.
Le panier-filtre déborde ou la fonction Pause et service fait déborder la verseuse.	<ul style="list-style-type: none"> • De trop grandes quantités de café moulu peuvent bloquer le panier-filtre. Nous recommandons une c. à soupe de café moulu par tasse. • Assurez-vous que le café n'est pas moulu trop fin. Ceci peut bloquer le filtre. Les filtres permanents sont plus enclins à bloquer que les filtres en papier. • Assurez-vous d'utiliser un filtre de style panier ou de style moule à muffin de bonne qualité. Les côtés du filtre doivent être verticaux contre la paroi du panier-filtre pour éviter l'affaissement du filtre. • Lorsque vous utilisez la fonction Pause et service, l'eau chaude continue de couler dans le panier-filtre et peut déborder si la verseuse n'est pas remise en place sur la plaque chauffante dans un délai de 20 secondes. • Assurez-vous que la verseuse est bien à plat sur la plaque chauffante. • Le panier-filtre doit être bien fermé.
Durée de filtrage plus longue que d'habitude.	<ul style="list-style-type: none"> • Des dépôts de minéraux peuvent s'accumuler à l'intérieur de la pompe de votre cafetière. Nous recommandons de nettoyer périodiquement l'intérieur de votre cafetière. Un nettoyage plus fréquent peut s'avérer nécessaire selon la dureté de l'eau utilisée. Voir la section «Nettoyage.» • Si on utilise le réservoir amovible, assurez-vous qu'il est bien en place dans le réservoir de la cafetière.

Assistance à la clientèle

Si vous avez une réclamation en vertu de cette garantie, veuillez composer le numéro de l'assistance à la clientèle. Pour obtenir un service plus rapide, ayez à la portée de la main les numéros de modèle, de série et de type pour que l'opérateur puisse vous aider. Ces numéros se trouvent à la base de votre cafetière.

MODÈLE : _____ **TYPE :** _____ **SÉRIE :** _____

Numéro d'assistance à la clientèle : 1-877-556-0973

Conservez ce numéro pour référence ultérieure !

Demandes de renseignement par courriel : www.gehousewares.com

Garantie limitée de deux ans

Que couvre la garantie ?

- Tout vice de matériau ou de fabrication.

Pendant combien de temps après l'achat initial ?

- Deux ans.

Que ferons-nous ?

- Nous vous fournirons un appareil neuf.

Comment faire une réclamation ?

- Conservez votre reçu.
- Emballez bien l'appareil. Nous recommandons l'utilisation de la boîte et du matériel d'emballage d'origine.
- Retournez le produit au magasin WAL-MART le plus près ou téléphonez à l'assistance à la clientèle au 1-877-556-0973.

Quelles sont les exclusions au titre de la garantie ?

- Les pièces et récipients en verre, couteau/tamis, lames et/ou agitateurs.
- L'utilisation à des fins commerciales ou tout autre usage non prescrit dans le mode d'emploi.
- Les dommages causés par le mésusage, l'abus ou la négligence.
- Les produits achetés ou réparés à l'extérieur du Canada.

Comment la loi provinciale affecte-t-elle cette garantie ?

- Cette garantie vous confère des droits spécifiques et vous pouvez également jouir d'autres droits qui peuvent varier d'une province à l'autre.
- WAL-MART décline toute responsabilité concernant les dommages ou les pertes accidentels causés par cet appareil. Certaines provinces ne permettent pas l'exclusion ou la restriction des dommages ou des pertes accidentelles, de telle sorte que cette renonciation peut ne pas vous être applicable.

Qu'advient-il si vous avez acheté le produit aux États-Unis, au Canada, ou au Mexique et que vous avez un problème alors que vous l'utilisez en dehors du pays de l'achat ?

- Cette garantie n'est valable que dans le pays de l'achat et si vous suivez les modalités de réclamation au titre de la garantie tel qu'indiqué.



est une marque de commerce de General Electric Company et est utilisée en vertu d'une licence par WAL-MART.