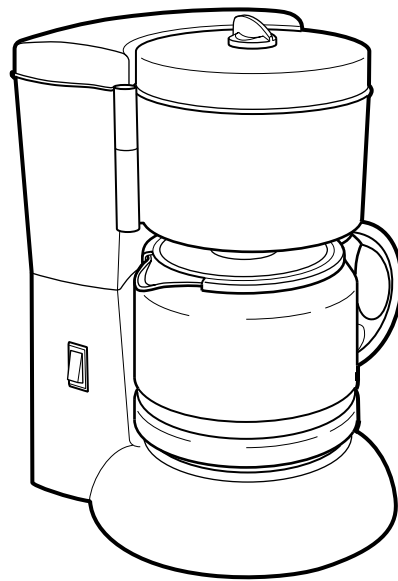
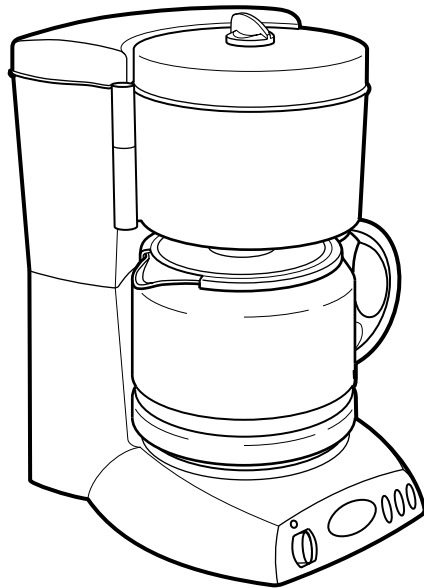




Coffeemaker



Coffeemaker Safety	2	Cleaning	9
Know Your Coffeemaker	4	Troubleshooting	11
Using Your Coffeemaker	5	Customer Assistance	12
Optional Features	7		

For Customer Assistance Please Call: 1-877-207-0923

Coffeemaker Safety

IMPORTANT SAFEGUARDS

When using electrical appliances, basic safety precautions should always be followed to reduce the risk of fire, electric shock, and/or injury to persons, including the following:

1. Read all instructions.
2. Do not touch hot surfaces. Use handles or knobs. Care must be taken, as burns can occur from touching hot parts or from spilled, hot liquid.
3. To protect against electric shock, do not place cord, plug or coffeemaker in water or other liquid.
4. Close supervision is necessary when any appliance is used by or near children.
5. Unplug from outlet when either the coffeemaker or clock is not in use and before cleaning. Allow to cool before putting on or taking off parts and before cleaning the appliance.
6. Coffeemaker must be operated on a flat surface away from the edge of counter to prevent accidental tipping.
7. Do not operate any appliance with a damaged cord or plug, or after the appliance malfunctions or is dropped or damaged in any manner. Call our toll-free customer assistance number for information on examination, repair or electrical or mechanical adjustment.
8. The use of accessory attachments not recommended by the appliance manufacturer may result in fire, electrical shock or personal injury.
9. Do not use outdoors.
10. Do not let cord hang over edge of table or counter or touch hot surfaces, including stove.
11. The carafe is designed for use with this coffeemaker. It must never be used on a range top or in a microwave oven.
12. Do not set a hot carafe on a wet or cold surface.
13. Do not use a cracked carafe or one with a loose or weakened handle.
14. Do not clean carafe with cleansers, steel wool pads, or other abrasive cleaners.
15. Be certain carafe lid is securely in place during brew cycle and when pouring coffee. Do not use force when placing lid on carafe.
16. Do not place coffeemaker on or near a hot gas or electric burner or in a heated oven.
17. To disconnect coffeemaker, turn controls to OFF; then remove plug from wall outlet.
18. Warning: To reduce the risk of fire or electric shock, do not remove the bottom cover. No user serviceable parts are inside. Repair should be done by authorized service personnel only.
19. Do not use appliance for other than intended use.

SAVE THESE INSTRUCTIONS!



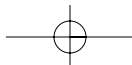
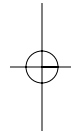
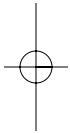
Consumer Safety Information

This appliance is intended for household use only.

This appliance is equipped with a polarized plug. This type of plug has one blade wider than the other. The plug will fit into an electrical outlet only one way. This is a safety feature intended to help reduce the risk of electrical shock. If you are unable to insert the plug into the outlet, try reversing the plug. If the plug should still fail to fit, contact a qualified electrician to replace the obsolete outlet. Do not attempt to defeat the safety purpose of the polarized plug by modifying the plug in any way.

The length of the cord used on this appliance was selected to reduce the hazards of becoming tangled in, or tripping over a longer cord. If a longer cord is necessary an approved extension cord may be used. The electrical rating of the extension cord must be equal to or greater than the rating of the coffeemaker. Care must be taken to arrange the extension cord so that it will not drape over the countertop or tabletop where it can be pulled on by children or accidentally tripped over.

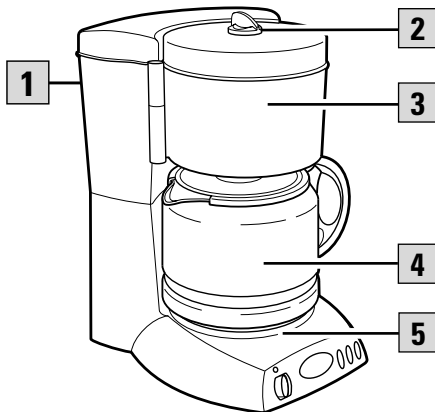
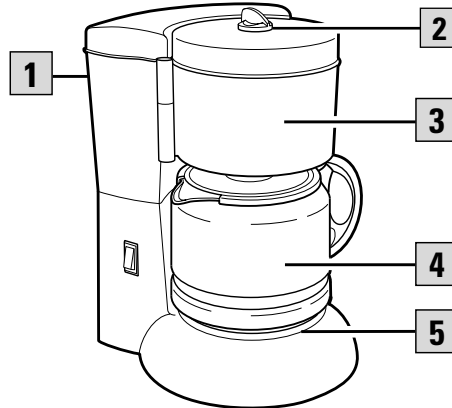
To avoid an electrical circuit overload, do not use another high wattage appliance on the same circuit with your coffeemaker.



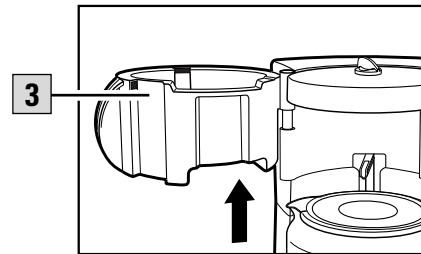
Know Your Coffeemaker

Parts and Features

- 1** Reservoir
- 2** Brew Select Knob
- 3** Swing-Open Filter Basket
- 4** Carafe
- 5** Keep-Hot Plate



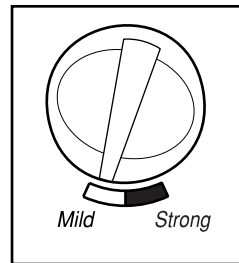
Clock model features 2-hour Automatic Shutoff



Using Your Coffeemaker

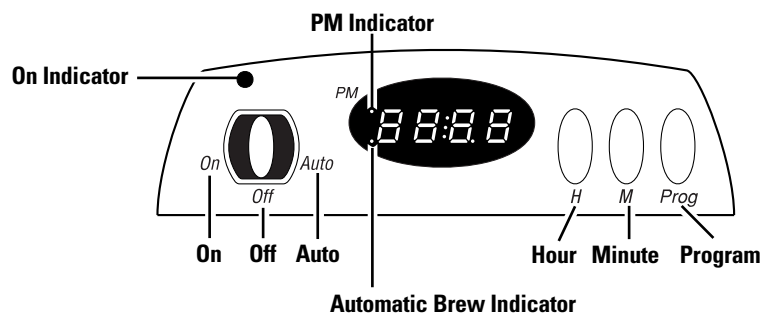
How To Make Coffee

1. Plug in coffeemaker and set clock if clock model. See "To Set the Clock and Program Automatic Brew."
2. Before first use, wash carafe. See "To Clean the Coffeemaker Parts." Then run one full carafe of clean water through a complete cycle by following steps 6 through 10.
3. To make coffee, swing open removable filter basket. Place disposable paper filter in filter basket. Use a good quality cupcake (basket) style filter, 8 to 12 cup size. A permanent filter may also be used.
4. For each cup of coffee being made, place one level measuring tablespoon of ground coffee into filter.
5. Close filter basket, making sure it is securely snapped closed.
6. Fill carafe with the desired amount of cold water. Flip open reservoir cover and pour into reservoir. Flip reservoir cover down to close.
7. Place carafe with carafe lid attached on Keep-Hot Plate. Select Mild to Strong coffee by turning the Brew Select Knob to desired setting.
8. Turn coffeemaker ON.
9. If clock or auto shutoff model, the coffeemaker will shut off in 2 hours.
10. When finished, turn OFF and unplug.



on Keep-Hot Plate. Select Mild to Strong coffee by turning the Brew Select Knob to desired setting.

Control Panel (for clock model)



To Set the Clock and Program Automatic Brew (clock models only)

1. Plug in coffeemaker. The numbers on the clock will flash until the time is set or the coffeemaker is turned on.
2. Press the **H** button until the current hour is displayed. A red dot will glow to indicate PM. Press the **M** button until the current minute is displayed. The clock is now set.
3. To program coffeemaker to automatically begin brewing, press and hold the **Prog** button while pressing the **H** button to set hours and then press the **M** button to set minutes until the desired brew time is displayed.
4. To have coffeemaker automatically begin brewing, move the switch from **Off to Auto**. A red dot will glow in the lower left corner to indicate the coffeemaker is ready to begin automatic brewing.
5. The coffeemaker will shut off two hours after brewing begins.

Tips to Brew Good Coffee

Quality coffee comes from quality ingredients. For the best coffee, you should **start with freshly ground coffee** from freshly roasted beans. The beans can be purchased and stored in an airtight container. Just prior to brewing, remove the amount needed and grind the beans. Once the bean is broken, the intense, rich flavor begins to deteriorate.

If using a **blade-type coffee grinder**, shake it occasionally during grinding to redistribute the whole beans for a more uniform grind. Experiment to find the right grind for your coffeemaker and taste. If the beans are ground too finely, it will produce a bitter taste. If ground too coarsely the coffee will taste weak and watery.

Some **specialty coffees** recommend using more than one tablespoon of ground coffee per cup. Your new coffeemaker is designed to brew good quality coffee using less amounts of ground coffee. One level tablespoon of ground coffee per cup is recommended. Of course, the amount of ground coffee used depends upon your personal preference.

The **quality of your drinking water** will affect the flavor of your coffee. If you do not drink water straight from the tap, do not use it to make coffee. If your water has an off-taste or smell, or if you have extremely hard water, use bottled drinking water or filtered water to make coffee. If the water is from the tap, it should be freshly drawn and cold for the best coffee flavor.

The **amount of coffee** to water depends upon personal preference. One tablespoon of ground coffee per cup is recommended.

Automatic coffeemakers generally use a **5-ounce cup size**. The coffeemaker's carafe and reservoir are marked in "cups" for easy measuring.

Try different **flavored coffees** and flavored creamers available at supermarkets or specialty coffee stores. Regular coffee can be flavored at home. Add a sprinkle of cinnamon* or a drop of a pure extract-like almond, vanilla, or mint—to the ground coffee before brewing. For a mocha flavor, stir a spoon of chocolate syrup or instant cocoa mix to each cup of brewed coffee.

* (Too much cinnamon may clog the filter causing basket overflow.)

Optional Features (available on selected models)

How to Make Tea

The tea infusor displaces some of the water in the carafe so we recommend making not more than 10 cups of tea.

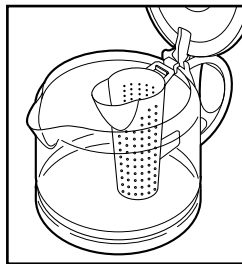
Before first use of the tea infusor, wash and rinse.

If you use the unit to make coffee, make sure that all washable parts of the coffeemaker have been washed to remove any coffee residue or taste.

When using tea bags, you may leave the string attached but remove the paper label.

Do not use Auto Pause 'N Serve while brewing tea. Do not remove carafe until brewing cycle is complete.

1. Plug in coffeemaker and set clock model.
2. Fill carafe with desired amount of cold water. Do not exceed the 10-cup level. Flip open reservoir cover and pour into reservoir.



loose tea into tea infusor. If using tea bags, gently push bags to bottom of tea infusor. Place inside carafe as illustrated. Close carafe lid.

4. Place carafe with carafe lid attached on Keep-Hot Plate.
5. Press the On button or switch.
6. When the unit has finished brewing tea, the tea is ready to serve. For strong tea, let steep for several minutes before serving. To serve, open the carafe lid and carefully remove the tea infusor before pouring from the carafe.
CAUTION: Escaping steam may burn. Empty infusor immediately to avoid staining.
7. The tea is now ready to serve.
8. If a clock model, the coffeemaker will shut off in 2 hours. When finished, press the Off button or switch. Then unplug.
9. The tea infusor should be washed in hot, soapy water. Then rinse and dry. The infusor can also be washed in the top rack of the dishwasher.

Tea strength is a personal choice. The following amounts are only guidelines.

TEA CHART

Water Level in Carafe	Standard Tea Bags	OR	Loose Tea
10 cup	4		10 teaspoons
8 cup	3		8 teaspoons
6 cup	2		6 teaspoons
4 cup	1		4 teaspoons

Optional Features (continued)

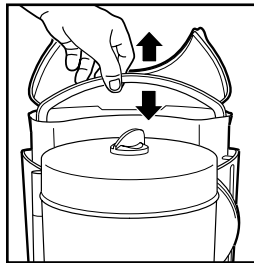
Pause 'N Serve

This feature allows you to pour a cup of coffee before the entire brew cycle has completed. By removing the carafe, the flow of coffee from the bottom of the filter basket will stop.

CAUTION: The carafe should be replaced within 20 seconds. The flow of coffee will resume when carafe is returned to the Keep-Hot Plate.

10-Cup Removable Water Reservoir

Please wash before first use. Hand wash or place in top rack of automatic dishwasher. The 10-cup reservoir can be removed for easy filling or occasional washing. Simply flip open reservoir cover and raise the removable reservoir handle. Lift out the removable reservoir and fill with water to desired level.



Carefully place removable reservoir back into the coffeemaker's reservoir. Make sure the removable reservoir is fully seated for proper water flow. When using the removable reservoir it is only possible to make a 10-cup pot of coffee, as the water level marks indicate. To make a full 12-cup carafe, remove the removable reservoir and fill the coffeemaker's reservoir.

NOTE: The coffeemaker's water window indicates the water level when the removable reservoir is NOT used.

Automatic Shutoff

The Automatic Shutoff feature shuts off the Keep-Hot Plate 2 hours after brew cycle begins. Always turn coffeemaker OFF and unplug when finished.

Permanent Filter

The Permanent Filter takes the place of disposable paper filters. Simply place the Permanent Filter in the filter basket. Please rinse the Permanent Filter in hot water before first use. Clean Permanent Filter under hot running water. Let dry.

The Permanent Filter can be washed in the top rack of automatic dishwasher.

NOTE: If grinding coffee in a coffee mill for use in a permanent filter, do not grind too finely. This may clog the filter, causing overflow.

Cleaning

To Clean the Inside of the Coffeemaker

1. Place empty carafe on Keep-Hot Plate. Firmly close filter basket.
2. Pour one pint of plain white vinegar into the reservoir.
3. Plug in coffeemaker and turn ON.
4. After 30 seconds turn OFF.
5. Wait 30 minutes to allow the vinegar to clean. Then turn ON again. When the brew cycle is finished, turn OFF.
6. Empty carafe and rinse. Pour one carafe of cold tap water into the reservoir. Place carafe on Keep-Hot Plate.
7. Turn ON. When the brew cycle is finished, empty the carafe. Repeat this process with one more carafe of cold tap water.
8. Turn OFF when complete.
9. Wash carafe and filter basket.

To Clean the Coffeemaker Parts

1. Unplug coffeemaker and allow to cool before cleaning.
2. Wipe Keep-Hot Plate with a clean, damp cloth. Do not use abrasives.
3. Occasionally wipe the water spreader area, located above the filter basket, with a clean, damp cloth.
4. To remove the carafe lid, push the hinge part of the lid to one side, then twist and lift the other side. The pin will release from the hinge. Then remove lid.
5. The carafe, carafe lid, and removable filter basket may be washed in the top rack of automatic dishwasher or in hot, soapy water. Rinse and dry.
6. To remove stains on the carafe, scrub with baking soda or a mild cleanser. For hard-to-remove stains, fill the carafe with hot tap water and add 2 tablespoons of automatic dishwasher detergent. Let this sit overnight; then wash and rinse.
7. All other outside surfaces of the coffeemaker can be cleaned with a clean, damp cloth.

Carafe Safety Precautions



This symbol alerts you to the potential danger for personal injury if you fail to read and follow these safety precautions.



This symbol reminds you that glass is fragile and can break which could result in personal injury.

- Do not use a cracked carafe or a carafe having a loose or weakened handle.
- This carafe is designed to be used only on the Keep-Hot Plate of your coffeemaker. Do not use on a gas or electric rangetop, or in a microwave or conventional oven.
- To avoid breakage, handle carafe with care. Avoid impact. Glass will break as a result of impact. Use care when filling with water to avoid hitting faucet.
- Do not place hot carafe on cool or wet surface. Allow to cool before washing or adding liquids.
- Do not set empty carafe on a hot heating surface.
- Do not clean carafe with steel wool pads, abrasive cleanser or any other materials that may scratch.
- Do not place hands inside carafe. When handling, be careful if wearing any hand jewelry, especially diamond rings. Jewelry can scratch the glass, which increases possibility of breakage.
- Do not bump, scratch, or boil dry the carafe.
- Discard carafe if it is cracked, scratched, or heated while empty for an extended period of time.
- To avoid accidents, do not pour in the direction of people.
- If stirring in the carafe, use only wooden, plastic, or rubber utensils. Do not use metal utensils.
- Follow the above safety precautions carefully to avoid serious burn injuries which may result if breakage occurs while carafe holds heated liquids.

Troubleshooting

Most questions you may have about your new coffeemaker can be easily answered. This handy guide lists some common coffeemaker problems and tells you how to correct them. If you need further assistance, please call our toll-free customer assistance number listed on the front cover of this booklet and found on the back of the coffeemaker.

Problem	To Correct Problem
Doesn't brew or won't heat.	<ul style="list-style-type: none"> • Check to be sure power cord is firmly plugged into a live power outlet. • The Automatic Shutoff feature turns the coffeemaker off two hours after making the coffee. Turn coffeemaker OFF then back to ON. • For clock models, if power has been interrupted the automatic brew time must be reset.
Filter Basket or Pause 'N Serve overflows.	<ul style="list-style-type: none"> • Excessive amounts of ground coffee will clog the filter basket. One level tablespoon of ground coffee per cup is recommended. • Make sure coffee is not ground too finely. This will clog the filter. Permanent filters are more likely to clog than paper filters. • Be sure to use a good quality cupcake or basket style filter. The sides of the filter should be upright against side of filter basket to avoid filter collapsing. • When using Pause 'N Serve, hot water continues to flow into the filter basket and may overflow if the carafe is not returned to the Keep-Hot Plate within 20 seconds. • Make sure that carafe is fully seated on the Keep-Hot Plate. • Filter basket must be securely closed.
Longer than normal brew time.	<ul style="list-style-type: none"> • Mineral deposits can build up in the pump of your coffeemaker. Periodic cleaning of the inside of your coffeemaker is recommended. More frequent cleaning may be necessary, depending upon the hardness of your water. See "Cleaning instructions." • If using the removable reservoir, make sure it is firmly seated in coffeemaker's reservoir.

Customer Assistance

If you have a claim under this warranty, please call our Customer Assistance Number. For faster service please have model, series, and type numbers ready for operator to assist you. These numbers can be found on the bottom of your coffeemaker.

MODEL: _____ **TYPE:** _____ **SERIES:** _____

Customer Assistance Number 1-877-207-0923

Keep this number for future reference!

E-mail inquiries: www.gehousewares.com

Two-Year Limited Warranty

What does your warranty cover?

- Any defect in material or workmanship.

For how long after the original purchase?

- Two years.

What will we do?

- Provide you with a new one.

How do you make a warranty claim?

- Save your receipt.
- Properly pack your unit. We recommend using the original carton and packing materials.
- Return the product to your nearest WAL*MART store or call Customer Assistance at 1-877-207-0923.

What does your warranty not cover?

- Glass parts, glass containers, cutter/strainer, blades and/or agitators.
- Commercial use or any other use not found in printed directions.
- Damage from misuse, abuse, or neglect.
- Products purchased or serviced outside the USA.

How does state law relate to this warranty?

- This warranty gives you specific legal rights, and you may also have other rights which vary from state to state.
- WAL*MART expressly disclaims all responsibility for consequential damages or incidental losses caused by use of this appliance. Some states do not allow this exclusion or limitation of incidental or consequential losses so the foregoing disclaimer may not apply to you.

What if you purchased your product in the U.S., Canada or Mexico and encounter a problem while using it outside the country of purchase?

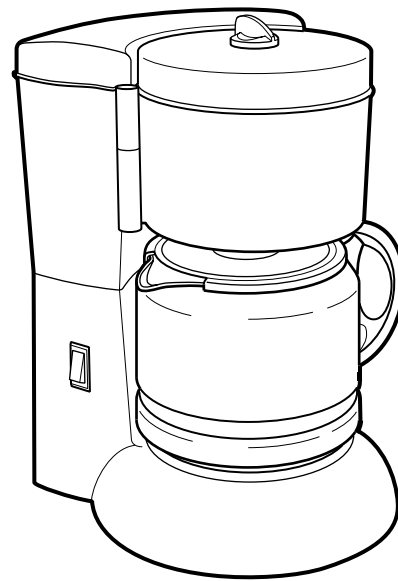
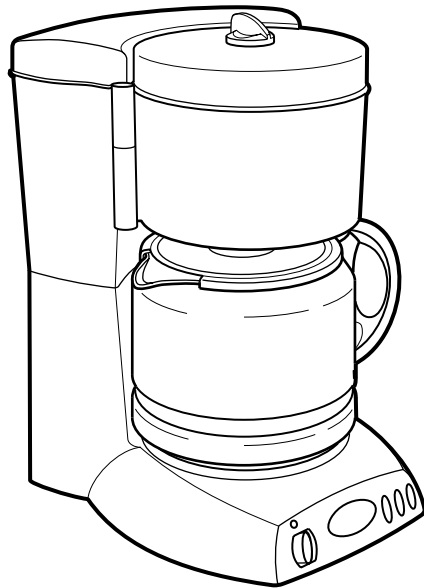
- The warranty is valid only in the country of purchase and if you follow the warranty claim procedure as noted.



is a trademark of
General Electric Company
and is used under license by
WAL*MART Stores, Inc.
Bentonville, AR 72716



Cafetera eléctrica



Seguridad con la cafetera eléctrica	2
Información sobre su cafetera eléctrica	4
El uso de su cafetera eléctrica.....	5

Propiedades opcionales.....	7
Limpieza	9
Localización de fallas.....	11
Asistencia al cliente	12

Para comunicarse con Asistencia al Cliente, llame al 1-877-207-0923

Seguridad con la cafetera eléctrica

SALVAGUARDIAS IMPORTANTES

Cuando use aparatos eléctricos, es importante seguir todas las precauciones de seguridad básicas para reducir el riesgo de incendio, choque eléctrico y/o lesiones personales, que incluyen lo siguiente:

1. Lea todas las instrucciones.
2. No toque superficies calientes. Use los mangos o las perillas. Es importante tener cuidado ya que pueden ocurrir quemaduras al tocar partes calientes o como resultado del derrame de líquido caliente.
3. Para protegerse contra el riesgo de choque eléctrico, no sumerja el cordón, el enchufe ni la cafetera eléctrica en agua ni en ningún otro líquido.
4. Se requiere una supervisión rigurosa cuando niños utilicen aparatos o cuando éstos se estén utilizando cerca de niños.
5. Desenchufe del tomacorriente cuando la cafetera o el reloj no se estén usando y antes de la limpieza. Deje que se enfríe antes de colocar o sacar alguna pieza, y antes de limpiar el aparato.
6. La cafetera eléctrica debe ser operada sobre una superficie plana lejos del borde de la mesera o mostrador para evitar que se vuelque accidentalmente.
7. No opere ningún aparato electrodoméstico si el cordón o el enchufe están averiados, después de un mal funcionamiento del aparato, o si éste se ha caído o averiado de alguna forma. Llame a nuestro número de llamada gratis de servicio al cliente, para obtener información sobre el examen, la reparación o la regulación del aparato.
8. El uso de accesorios no recomendados por el fabricante del aparato puede causar incendios, choques eléctricos o lesiones personales.
9. No lo use al aire libre.
10. No deje que el cordón cuelgue sobre el borde de una mesa o de un mostrador, o que toque alguna superficie caliente, incluyendo la superficie de una estufa.
11. La jarra ha sido diseñada para ser usada con esta cafetera. Nunca la use sobre un hornillo o en un horno de microondas.
12. No coloque una jarra caliente sobre una superficie húmeda o fría.
13. No use una jarra rajada o que tenga el mango flojo o debilitado.
14. No limpie la jarra con productos de limpieza abrasivos o esponjillas metálicas.
15. Asegúrese de que la tapa de la jarra esté firme en posición durante el ciclo de preparación del café y cuando lo esté vertiendo; no emplee fuerza cuando coloque la tapa en la jarra.
16. No coloque la cafetera sobre o cerca de un quemador a gas o eléctrico caliente ni en un horno calentado.
17. Para desconectar la cafetera eléctrica, coloque los controles en la posición apagada (OFF) y luego retire el enchufe del tomacorriente.
18. Precaución: Para reducir el riesgo de incendio o choque eléctrico, no retire la cubierta inferior. El interior del aparato no contiene piezas que se puedan reparar. Las reparaciones deberán ser realizadas solamente por personal de servicio autorizado.
19. No use el aparato para ningún otro fin que no sea el indicado.

¡GUARDE ESTAS INSTRUCCIONES!

Información para la seguridad del consumidor

Este aparato ha sido diseñado solamente para uso doméstico.

Este aparato viene equipado con un enchufe polarizado. Este tipo de enchufe tiene una clavija más ancha que la otra. El enchufe encajará en un tomacorriente de una sola manera. Esta es una propiedad de seguridad destinada a reducir el riesgo de choque eléctrico. Si no puede introducir el enchufe en el tomacorriente, trate de invertir el enchufe. Si aún no encaja, comuníquese con un electricista competente para cambiar el tomacorriente obsoleto. No trate de hacer caso omiso del propósito de seguridad del enchufe polarizado modificándolo de alguna manera.

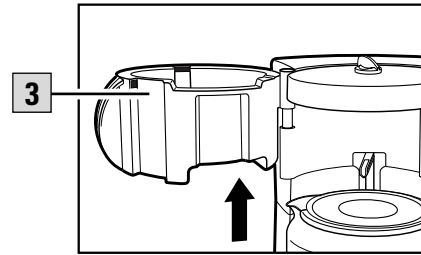
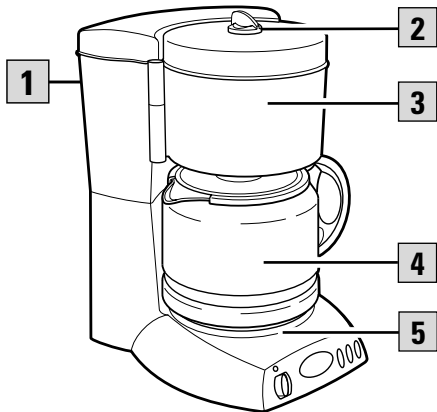
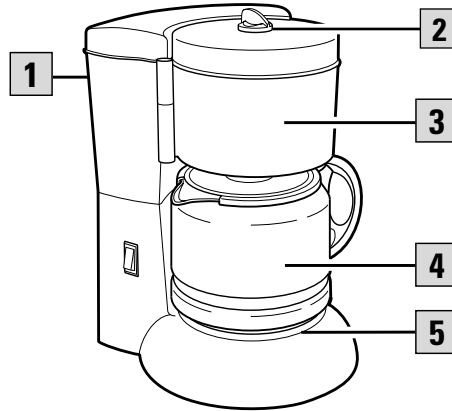
El largo del cordón que se usa en este aparato fue seleccionado para reducir el peligro de que alguien se enganche o tropiece con un cordón más largo. Si es necesario usar un cordón más largo, se podrá usar un cordón de alargue aprobado. La clasificación eléctrica nominal del cordón de alargue debe ser igual o mayor que la clasificación nominal de la cafetera eléctrica. Es importante tener cuidado de colocar el cordón de alargue para que no se pliegue sobre el mostrador o la mesera en donde niños puedan tirar del mismo o tropezarse accidentalmente.

Para evitar una sobrecarga del circuito eléctrico, no use ningún otro aparato electrodoméstico de alto vataje en el mismo circuito que su cafetera eléctrica.

Información sobre su cafetera eléctrica

Piezas y opciones

- 1** Tanque
- 2** Interruptor de selección de la concentración
- 3** Canastilla de filtro de apertura giratoria
- 4** Jarra
- 5** Placa de calentamiento

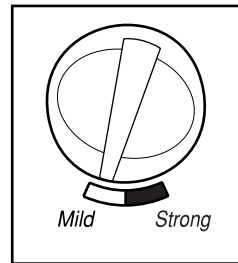


Incluye un Cierre Automático después de 2 horas

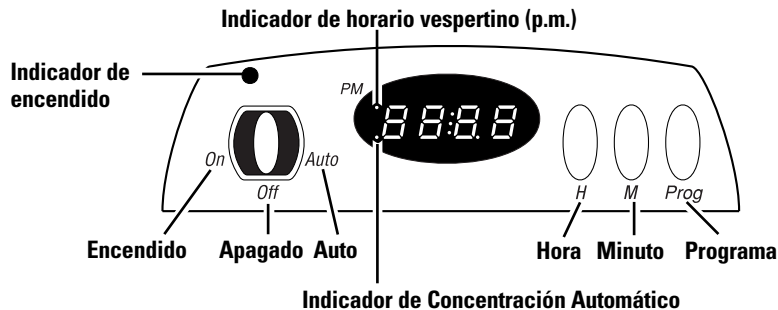
El uso de su cafetera eléctrica

Cómo hacer café

1. Enchufe la cafetera y configure el reloj si es un modelo con reloj. Consulte las instrucciones sobre "Cómo Configurar el Reloj y Programar la Preparación Automática"
2. Antes del primer uso, lave la jarra. Consulte "La limpieza de las piezas de la cafetera eléctrica". Luego deje pasar una jarra llena de agua limpia por un ciclo completo, siguiendo los pasos 6 al 10 que se indican a continuación.
3. Para hacer café, abra la canastilla del filtro. Coloque un filtro descartable de papel en la canastilla del filtro. Use un filtro estilo canastilla de buena calidad, de tamaño para 8 a 12 tazas. También se puede usar un filtro permanente.
4. Para cada taza de café que desee hacer, coloque una cucharada al ras de café molido en el filtro.
5. Cierre la canastilla del filtro, asegurándose de que esté firme en su lugar.
6. Llene la jarra con la cantidad de agua fría deseada. Abra la tapa del tanque y vierta el agua en el tanque. Cierre la tapa del tanque.
7. Coloque la jarra con la tapa puesta sobre la Placa de Calentamiento. Seleccione café Suave o Fuerte girando el Interruptor de Selección de Concentración a la graduación deseada.
8. Encienda la cafetera eléctrica.
9. Si se trata de un modelo con reloj o cierre automático, la cafetera se apagará en 2 horas.
10. Cuando termine, apague y desenchufe.



Tablero de control (modelos con reloj solamente)



Cómo configurar el reloj y programar la concentración automática (modelos con reloj solamente)

1. Enchufe la cafetera. Los números en el reloj centellearán hasta que se configure la hora o que se encienda la cafetera.
2. Oprima el botón “H” hasta que aparezca la hora correcta de ese momento. Brillará un punto rojo para indicar PM. Oprima el botón de “M” hasta que aparezcan los minutos correctos. Ahora se ha configurado el reloj.
3. Para programar la cafetera a que comience a preparar el café automáticamente, oprima y sostenga el botón “Prog” mientras oprime el botón “H”, para determinar las horas, y luego oprima el botón “M” para determinar los minutos, hasta que se visualice el tiempo deseado de preparación.
4. Para que la cafetera comience la preparación automáticamente, mueva el interruptor de la posición apagada (OFF) a la posición automática (Auto). Brillará un punto rojo en la esquina izquierda inferior para indicar que la cafetera está lista para comenzar con la preparación automática.
5. La cafetera se apagará después de 2 horas del comienzo de la preparación.

Sugerencias para la preparación de un buen café

El café de calidad se obtiene cuando se usan ingredientes de calidad. Para preparar el mejor café **comience con café molido fresco** de granos de café recién tostado. Los granos se pueden comprar y almacenar en un envase hermético en el congelador. Justo antes de la preparación, saque la cantidad necesaria y muele los granos. Una vez que se rompen los granos, el sabor intenso y rico se comienza a deteriorar.

Si usa un **molinillo de café con cuchillas**, agite ocasionalmente durante la molienda para volver a redistribuir los granos enteros y así obtener un molido uniforme. Experimente hasta que encuentre el molido correcto para su cafetera y su gusto. Si los granos se muelen demasiado finos, producirán un sabor amargo. Si se muelen demasiado gruesos, el café tendrá un sabor débil y aguachento.

Ciertos **café especiales** recomiendan el uso de más de una cucharada de café molido por taza. Su nueva cafetera eléctrica ha sido diseñada para preparar

un café de buena calidad usando menos cantidades de café molido. Se recomienda utilizar una cucharada al ras de café molido por taza. Por supuesto, la cantidad de café molido que se use dependerá de su preferencia personal.

La **calidad del agua potable** afectará el sabor de su café. Si usted no bebe agua directamente del grifo, no la use para hacer café. Si su agua tiene un mal sabor u olor, o si es extremadamente dura, use agua embotellada o filtrada para hacer el café. Si el agua es del grifo, se deberá extraer en el momento, fresca y fría, para obtener el mejor sabor de café.

La **proporción de café** y agua depende de la preferencia personal. Se recomienda una cucharada de café molido por taza.

Las cafeteras automáticas generalmente usan un **tamaño de taza de 5 onzas**. La jarra y el tanque de la cafetera están marcadas en “tazas” para poder medir con facilidad.

Pruebe **café de diferentes sabores** y leche en polvo de diferentes sabores que se pueden obtener en los supermercados o en las tiendas de especialidades de café. Usted puede agregar sabor al café común en su casa. Agregue una pizca de canela * o una gota de extracto puro – como almendra, vainilla o menta – al

café molido antes de prepararlo. Para un sabor de moca, mezcle una cucharada de jarabe de chocolate o de mezcla instantánea de cacao para cada taza de café preparado.

* (Demasiada canela puede tapan el filtro y hacer que se desborde la canastilla).

Propiedades opcionales

(disponible en modelos selectos)

Cómo hacer té

El infusor de té desplaza parte del agua en la jarra, de manera que recomendamos no hacer más de 10 tazas de té.

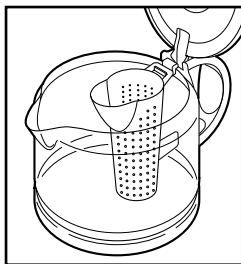
Lave y enjuague el infusor de té antes del usarlo por primera vez.

Si usa la unidad para hacer café, asegúrese de que todas las piezas lavables de la cafetera se hayan lavado para eliminar todo residuo o sabor del café.

Cuando use bolsas de té, usted puede dejar el cordel de sujeción pero deberá sacar la etiqueta de papel.

No use "Auto Pause 'N Serve" cuando prepare té. No saque la jarra hasta que se haya terminado el ciclo de preparación.

1. Enchufe la cafetera eléctrica y configure el modelo con reloj.
2. Llene la jarra con la cantidad de agua fría deseada. No sobrepase el nivel de las 10 tazas. Abra la cubierta del tanque y vierta el agua en el tanque.
3. Coloque la cantidad deseada de bols-



sas de té o de té suelto en el infusor de té. Si usa bolsas de té, empuje delicadamente las bolsas hasta el fondo del infusor de té.

Coloque la jarra interior según se ilustra. Cierre la tapa de la jarra.

4. Coloque la jarra con la tapa de la jarra puesta sobre la Placa de Calentamiento.
 5. Oprima el botón o interruptor de encendido.
 6. Cuando la unidad haya terminado de preparar el té, éste estará listo para servir. Para obtener un té oscuro, deje remojar por varios minutos antes de servir. Para servir, abra la tapa de la jarra y saque cuidadosamente el infusor de té antes de verter el té de la jarra.
- PRECAUCIÓN:** El vapor que se escapa puede quemar. Vacíe el infusor inmediatamente para evitar que se manche.
7. Ahora el té está listo para servir.
 8. Si es un modelo con reloj, la cafetera se apagará en 2 horas. Cuando termine, oprima el botón o el interruptor de apagado y luego desenchufe.
 9. The tea infuser should be washed in hot, soapy water. Then rinse and dry. The infuser can also be washed in the top rack of the dishwasher.

La concentración del té es a gusto personal. Las siguientes cantidades son referencias solamente.

TABLA DE PREPARACIÓN DE TÉ

Nivel de agua en la jarra	Bolsas estándar de té	O	Té suelto
10 tazas	4		10 cucharaditas
8 tazas	3		8 cucharaditas
6 tazas	2		6 cucharaditas
4 tazas	1		4 cucharaditas

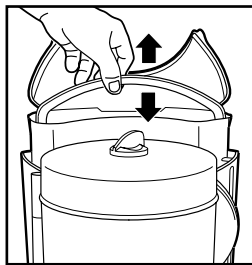
“Pause ‘N Serve” (Hacer una pausa y servir)

Esta opción le permite verter una taza de café antes de que se haya terminado el ciclo completo de preparación. Al retirar la jarra, se detendrá la corriente de café desde la parte inferior de la canastilla del filtro.

PRECAUCIÓN: Se debe volver a colocar la jarra en 20 segundos. La corriente de café se reanudará cuando la jarra se vuelva a colocar sobre la Placa de Calentamiento.

Tanque de agua desmontable para 10 tazas

Es importante lavarlo antes de usar.



Lávelo a mano o colóquelo en la rejilla superior del lavavajillas automático. El tanque para 10 tazas se puede sacar para llenar con

facilidad o para lavarlo ocasionalmente. Simplemente abra la tapa del tanque y levante el mango desmontable del tanque. Saque el tanque desmontable y llénelo con agua al nivel deseado.

Coloque cuidadosamente el tanque desmontable nuevamente en el tanque de la cafetera. Asegúrese de que el tanque desmontable quede debidamente acomodado para que haya una corriente de agua adecuada. Cuando se usa solamente el tanque desmontable se puede hacer una jarra de café para 10 tazas, según lo indican las marcas de nivel del agua. Para hacer una jarra completa de 12 tazas, saque el tanque desmontable y llene el tanque de la cafetera.

NOTA: Si NO se usa el tanque de agua desmontable, se puede observar el nivel del agua a través de la ventana de agua de la cafetera.

Cierre automático

La opción de Cierre Automático apaga la Placa de Calentamiento 2 horas después del comienzo del ciclo de preparación. Siempre apague la cafetera y desenchúfela cuando haya terminado.

Filtro permanente

El Filtro Permanente sustituye a los filtros descartables de papel. Simplemente coloque el Filtro Permanente en la canastilla del filtro. Es importante enjuagar el Filtro Permanente en agua caliente antes del primer uso. Limpie el Filtro Permanente bajo agua corriente caliente. Deje que se seque. El Filtro

Permanente se puede colocar en la rejilla superior de un lavavajillas automático.

NOTA: Si muele café en un molinillo de café para usar con un filtro permanente, no lo muele demasiado fino. Esto puede tapan el filtro causando un desborde.

Limpieza

La limpieza del interior de la cafetera eléctrica

1. Coloque la jarra vacía en la Placa de Calentamiento. Cierre la canastilla del filtro con firmeza.
2. Vierta una pinta (0.47 litro) de vinagre blanco común en el tanque.
3. Enchufe la cafetera y enciéndala.
4. Apague después de 30 segundos.
5. Espere 30 minutos para permitir que el vinagre limpie. Luego encienda nuevamente. Cuando se haya terminado el ciclo de preparación, apague.
6. Vacíe la jarra y enjuáguela. Vierta una jarra de agua fría del grifo en el tanque. Coloque la jarra en la Placa de Calentamiento.
7. Encienda. Cuando se haya terminado el ciclo de preparación, vacíe la jarra. Repita este proceso con una jarra más de agua fría del grifo.
8. Apague cuando se haya completado.
9. Lave la jarra y la canastilla del filtro.

La limpieza de las piezas de la cafetera eléctrica

1. Desenchufe la cafetera y deje que se enfríe antes de limpiarla.
2. Lave la placa de calentamiento con un paño húmedo y limpio. No use abrasivos.
3. Ocasionalmente limpie la zona de distribución de agua ubicada encima de la canastilla del filtro con un paño húmedo y limpio.
4. Para sacar la tapa de la jarra, empuje la parte de bisagra de la tapa a un lado, luego desenrosque y levante el otro lado. El pasador saldrá de la bisagra. Entonces saque la tapa.
5. La jarra, la tapa de la jarra y la canastilla de filtro desmontable se pueden lavar en la rejilla superior de un lavavajillas automático o en agua caliente jabonosa. Enjuague y seque.
6. Para eliminar las manchas en la jarra, frote con bicarbonato de soda o con un producto suave de limpieza. Para manchas que son difíciles de eliminar, llene la jarra con agua caliente del grifo y agregue 2 cucharadas de detergente para lavavajillas automático. Deje en remojo hasta el otro día y luego lave y enjuague.
7. Todas las otras superficies exteriores de la cafetera eléctrica se pueden limpiar con un paño húmedo y limpio.

Precauciones de seguridad con la jarra



Este símbolo lo alerta sobre el posible peligro de lesiones personales si no lee y sigue estas precauciones de seguridad.



Este símbolo le hace recordar que el vidrio es frágil y se puede romper lo que podría resultar en lesiones personales.

- No use una jarra rajada ni una jarra con un mango flojo o debilitado.
- Esta jarra ha sido diseñada para usar solamente sobre la placa de calentamiento de su cafetera eléctrica. No la use sobre hornillos eléctricos o a gas ni en hornos convencionales o de microondas.
- Para evitar roturas, manipule la jarra con cuidado. Evite impactos. El vidrio se romperá como resultado de un impacto. Tenga cuidado cuando llene con agua para evitar que golpee el grifo.
- No coloque la jarra caliente sobre una superficie fría o húmeda. Permita que se enfríe antes de lavar o de agregar líquidos.
- No coloque una jarra vacía sobre una superficie térmica caliente.
- No limpie la jarra con esponjillas metálicas, productos de limpieza abrasivos ni otros materiales que puedan rayarla.
- No coloque sus manos dentro de la jarra. Cuando la manipulee, tenga cuidado si usa joyas en las manos, especialmente anillos de diamante. Las joyas pueden rayar el vidrio y aumentar así las posibilidades de rotura.
- No golpee, raye ni deje hervir la jarra en seco.
- Descarte la jarra si está rajada, rayada o se calentó cuando estaba vacía por un tiempo prolongado.
- Para evitar accidentes, no vierta en dirección a las personas.
- Si revuelve dentro de la jarra, use utensilios de madera, plástico o caucho. No use utensilios metálicos.
- Siga las precauciones de seguridad que preceden con cuidado para evitar lesiones graves de quemaduras que pueden resultar si ocurre una rotura cuando la jarra contiene líquidos calentados.

Localización de fallas

La mayoría de las preguntas que pueda tener sobre su nueva cafetera eléctrica pueden responderse con facilidad. Esta guía conveniente enumera los problemas comunes con la cafetera y le indica cómo corregirlos. Si necesita más ayuda, sírvase llamar a nuestro número de llamada gratis de larga distancia para servicio al cliente que aparece en la tapa de este folleto, y se puede encontrar en la parte posterior de la cafetera eléctrica.

Problema	Para corregir el problema
No prepara o no calienta.	<ul style="list-style-type: none"> • Verifique que el cordón de corriente esté firmemente enchufado en un tomacorriente conectado. • La opción de cierre automático apaga la cafetera dos horas después de haber preparado el café. Encienda la cafetera. • Para modelos con reloj, si la corriente ha sido interrumpida, será necesario reposicionar el tiempo de preparación automática.
La canastilla del filtro o la opción "Pause 'N Serve" se desborda.	<ul style="list-style-type: none"> • Cantidades excesivas de café molido tapanán la canastilla del filtro. Recomendamos una cucharada al ras de café molido por taza. • Asegúrese de que el café no esté molido demasiado fino. Esto tapaná el filtro. Los filtros permanentes tienen más probabilidades de taparse que los filtros de papel. • Asegúrese de que esté usando un filtro de buena calidad para canastilla. Los lados del filtro deben quedar verticales contra el costado de la canastilla del filtro para evitar que el filtro se doble. • Cuando use "Pause 'N Serve", el agua caliente continuará corriente hacia la canastilla del filtro y es posible que se desborde si la jarra no se coloca sobre la placa de calentamiento después de 20 segundos. • Asegúrese de que la jarra esté totalmente asentada en la placa de calentamiento. • La canastilla del filtro debe estar cerrada firmemente.
El tiempo de preparación es más largo que lo normal.	<ul style="list-style-type: none"> • Depósitos minerales se pueden acumular en la bomba de su cafetera eléctrica. Recomendamos una limpieza periódica del interior de la cafetera. Es posible que se requiera una limpieza más frecuente según la dureza de su agua. Consulte "Instrucciones de Limpieza". • Si se usa un tanque desmontable, es importante asegurarse de que éste esté firmemente asentado en el tanque de la cafetera.

Asistencia al cliente

Si desea hacer un reclamo bajo esta garantía, sírvase llamar a nuestro Número de Asistencia al Cliente. Para un servicio más rápido es importante que tenga el modelo, la serie y los números del tipo listos para que el operador lo pueda ayudar. Estos números se pueden encontrar en la parte inferior de su cafetera eléctrica.

MODELO: _____ **TIPO:** _____ **SERIE:** _____

Número de Asistencia al Cliente: 1-877-207-0923

¡Guarde este número para referencia futura!

Solicitud de información por e-mail: www.gehousewares.com

Garantía Limitada de Dos Años

¿Qué cubre su garantía?

- Todo defecto de material o mano de obra.

¿Por cuánto tiempo después de la compra inicial?

- Dos años.

¿Qué haremos?

- Le suministraremos una unidad nueva.

¿Cómo hacer un reclamo bajo garantía?

- Guarde su recibo.
- Empaque su unidad debidamente. Recomendamos usar la caja y los materiales de empaque originales.
- Devuelva el producto a su tienda WAL*MART más cercana o llame al Número de Asistencia al Cliente al 1-877-207-0923.

¿Qué es lo que la garantía no cubre?

- Partes de vidrio, envases de vidrio, cortador/colador, cuchillas y/o agitadores.
- Uso comercial o cualquier otro uso que no se encuentre en las instrucciones impresas.
- Daños debido al mal uso, abuso, o negligencia.
- Productos comprados o reparados fuera de los Estados Unidos.

¿Cuál es la relación entre las leyes estatales y esta garantía?

- Esta garantía le otorga derechos legales específicos, y es posible que usted también tenga otros derechos que varían de un estado al otro.
- WAL*MART expresamente niega toda responsabilidad por daños consecuentes o pérdidas incidentales causadas por el uso de este aparato. Ciertos estados no permiten esta exclusión o limitación de pérdidas incidentales o consecuentes de manera que es posible que el descargo de responsabilidad que antecede no corresponda en su caso.

¿Qué sucede si usted adquirió su producto en los Estados Unidos, Canadá o México y encuentra un problema cuando lo está usando fuera del país de compra?

- La garantía es válida solamente en el país de compra y si usted sigue el procedimiento de reclamo bajo garantía que se indica.



es una marca de comercio de General Electric Company usada bajo licencia por WAL*MART Stores, Inc. Bentonville, AR 72716

WAL*MART Stores, Inc.
Bentonville, AR 72716

840092200

12

12/01