

VULCAN

CATALOG OF REPLACEMENT PARTS

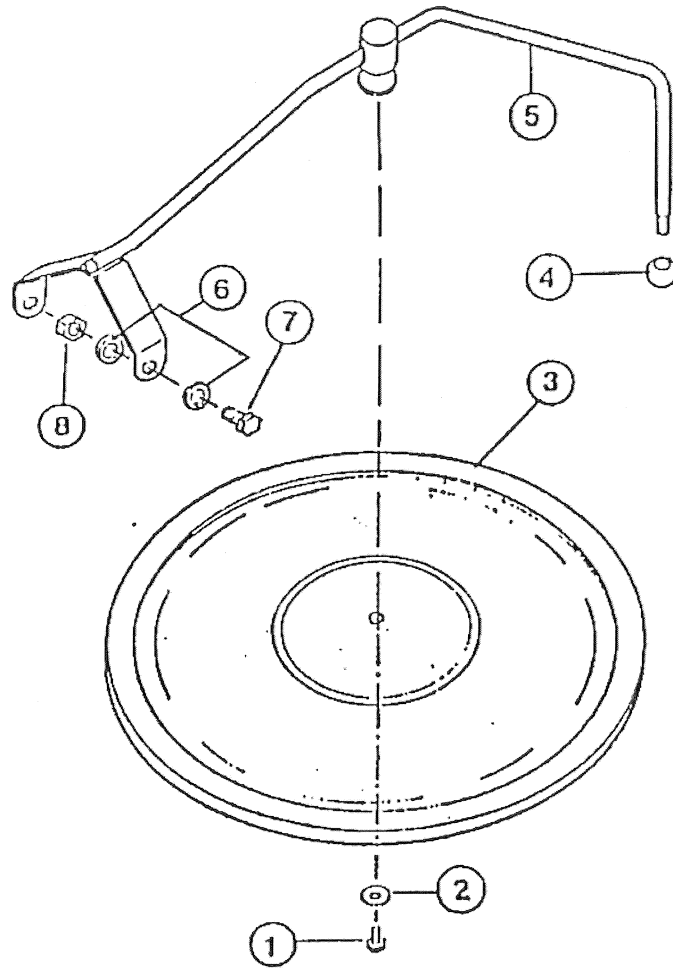
VDL & VDP DIRECT STEAM TRI-LEG AND PEDESTAL BASE FLOOR MOUNTED 2/3 JACKETED KETTLES

MODEL

VDL20	ML-103402
VDL30	ML-103403
VDL40	ML-103404
VDL60	ML-103405
VDL80	ML-103406
VDL100	ML-103407
VDP20	ML-103408
VDP30	ML-103409
VDP40	ML-103410
VDP60	ML-103411
VDP80	ML-103412
VDP100	ML-103413



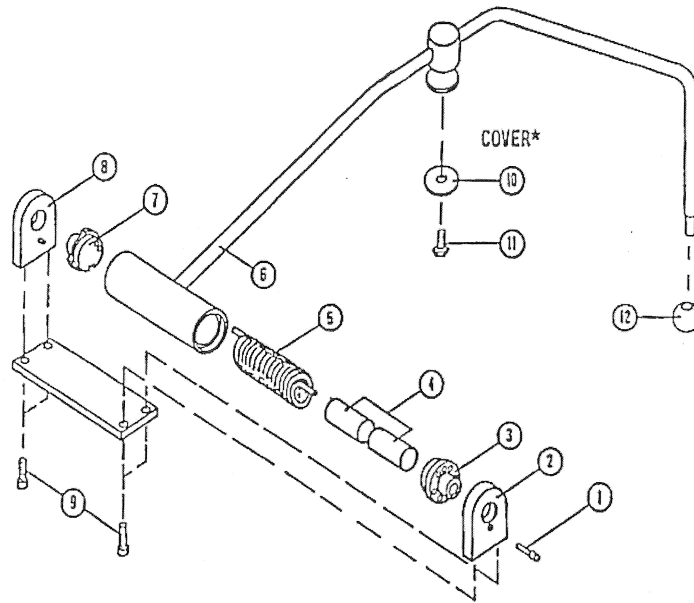
For additional information on Vulcan-Hart Company or to locate an authorized parts and service provider in your area, visit our website at www.vulcanhart.com



COUNTER BALANCED HINGED COVER

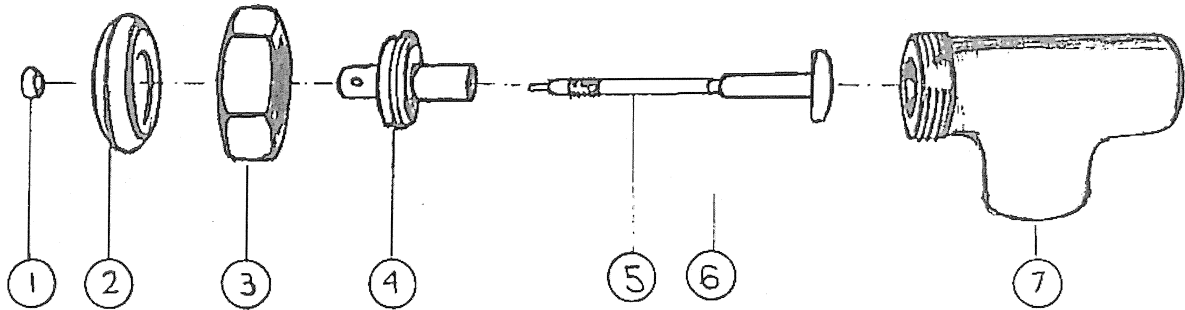
REPLACEMENT PARTS LIST

PART NO.	NAME OF PART	AMT.
1	00-842956 Bolt	1
2	00-850622 Washer	1
3	00-851961 Cover (20 Gallon)	1
	00-850430 Cover (30 Gallon)	1
	00-850217 Cover (40 Gallon)	1
	00-844424 Cover (60 Gallon)	1
	00-850548 Cover (80 Gallon)	1
	00-851009 Cover (100 Gallon)	1
4	00-836964 Knob	1
5	00-850499 Handle Assy. (20 Gallon)	1
	00-857093 Handle Assy. (30 Gallon)	1
	00-850698 Handle Assy. (40 Gallon)	1
6	00-851906 Fiber Washer	4
7	SC-041-42 Bolt	2
8	NS-015-16 Nut	2



**SPRING ASSIST HINGE ASSEMBLY
REPLACEMENT PARTS LIST**

PART NO.	NAME OF PART	AMT.
20 to 40 Gallon Kettles		
1	00-836977 Lock Pin	1
2	00-836978 End Lock Plate	1
3	00-836979 Stationary Disc.....	1
4	00-844367-00034 Cores	2
5	00-844367-00035 Spring	1
6	00-850518-00002 Handle Assy. (20 Gallon)	1
	00-850518-00003 Handle Assy. (30 Gallon)	1
	00-850518 Handle Assy. (40 Gallon)	1
7	00-836983 Rotary Disc	1
8	00-836932 End Stop Plate	1
9	00-844367-00036 Cap Screws	4
	00-850622 Washer	1
11	00-842956 Bolt	1
12	00-836964 Knob	1
	00-844459 Hinge Assy.	1
	00-851961 Cover (20 Gallon)	1
	00-850430 Cover (30 Gallon)	1
	00-850217 Cover (40 Gallon)	1
60 to 100 Gallon Kettles		
1	00-836986 Lock Pin	1
2	00-836987 End Lock Plate	1
3	00-836988 Stationary Disc.....	1
4	00-836989 Cores	2
5	00-836990 Spring	1
6	00-850061 Handle Assy. (60 Gallon)	1
	00-844462 Handle Assy. (80 Gallon)	1
	00-850477 Handle Assy. (100 Gallon)	1
7	00-836992 Rotary Disc	1
8	00-836993 End Stop Plate	1
9	SC-041-10 Cap Screws	4
	00-850622 Washer	1
11	00-842956 Bolt	1
12	00-836964 Knob	1
	00-844461 Hinge Assy.	1
	00-844424 Cover (60 Gallon)	1
	00-850548 Cover (80 Gallon)	1
	00-851009 Cover (100 Gallon)	1



DRAW OFF VALVES

REPLACEMENT PARTS LIST

	PART NO.	NAME OF PART	AMT.		
			1½" Valve	2" Valve	3" Valve
1	00-836939	Nut	1	1	
	00-836940	Nut			1
2	00-836967	Handle	1	1	
	00-836942	Handle			1
3	00-836943	Hex. Assembly Nut	1		
	00-836944	Hex. Assembly Nut		1	
	00-836945	Hex. Assembly Nut			1
4	00-836946	Bonnet	1		
	00-836947	Bonnet		1	
	00-836948	Bonnet			1
5	00-850218	Disc & Stem Assy.	1		
	00-836950	Disc & Stem Assy.		1	
	00-836951	Disc & Stem Assy.			1
6	00-836966	"O" Ring	1		
	00-836953	"O" Ring		1	
	00-836954	"O" Ring			1
7	00-836955	Valve Body	1		
	00-836956	Valve Body		1	
	00-836957	Valve Body			1
	00-851561	Strainer (Draw Off Valve)	1		
	00-850593	Strainer (Draw Off Valve)		1	
	00-840554	Strainer (Draw Off Valve)			1
	00-851291	Draw Off Valve Complete	1		
	00-851293	Draw Off Valve Complete		1	
	00-851294	Draw Off Valve Complete			1
	00-851927	Dairy Valve		1	
	00-850421	Dairy Valve			1

PARTS NOT SHOWN

PART NO.	NAME OF PART	AMT.
00-844034	Knob (Steam Control Valve)	1
00-836937	Steam Control Valve (1/2")	1
00-881984	Steam Control Valve (3/4")	1
00-844527	Steam Trap	1
00-881980	35# psi Relief Valve	1
00-844492	50# psi Relief Valve	1
00-843837	Ball Valve (1/2") (Drains Condensate)	1
00-836958	Flanged Foot	3