

EPSON Stylus® Photo 825

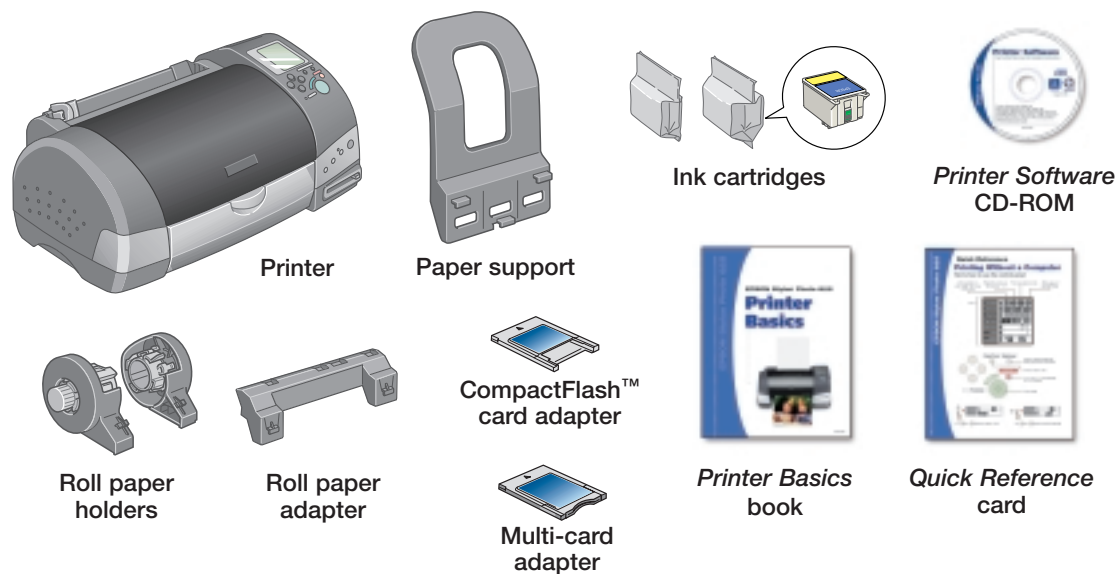
Start Here



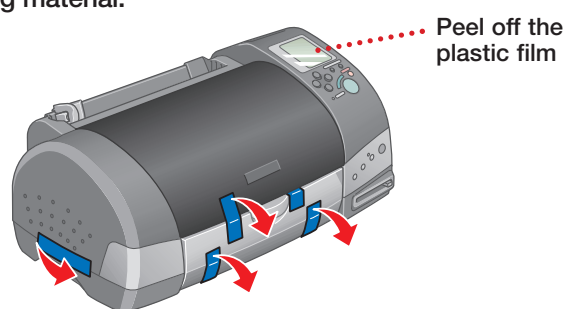
CPD-14525R1
4042683-00

1 Unpack

1 Remove everything from the box.

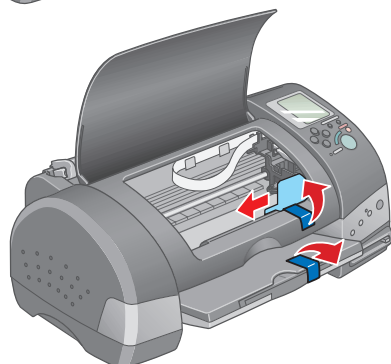


2 Remove the tape and packing material.



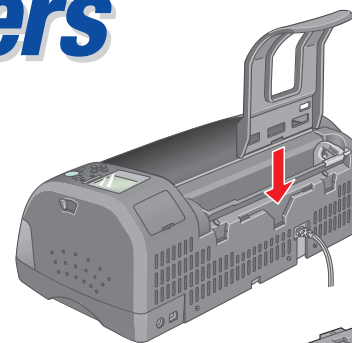
Peel off the plastic film

3 Peel off the tape beneath the cover and remove the insert.

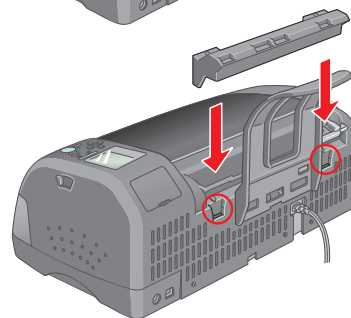


2 Attach the Paper Holders

1 Slide the paper support into its three slots on the back of the printer.

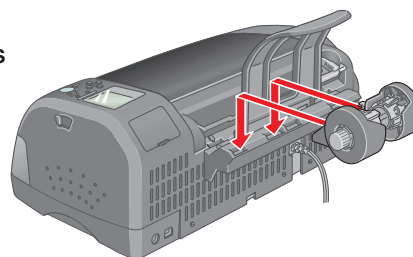


2 Slide the roll paper adapter behind the paper support, into the two slots on the back of the printer.



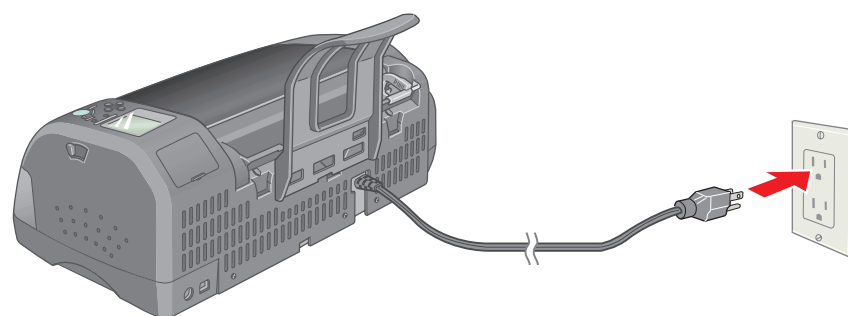
NOTE: For information on loading and printing on roll paper, see your Printer Basics book.

3 Insert the tabs on the roll paper holders into the slots on the back of the printer.

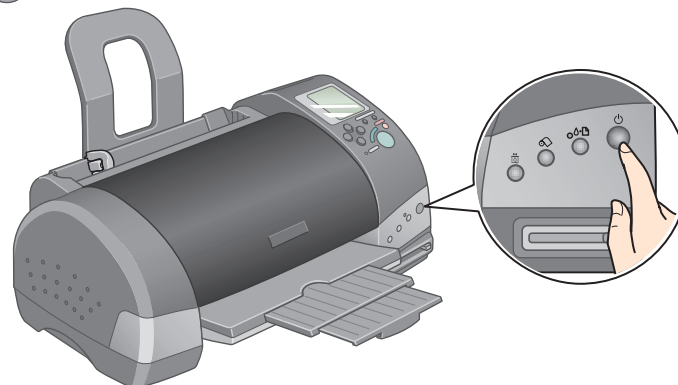


3 Turn On the Printer

1 Plug the printer's power cord into a grounded electrical outlet.

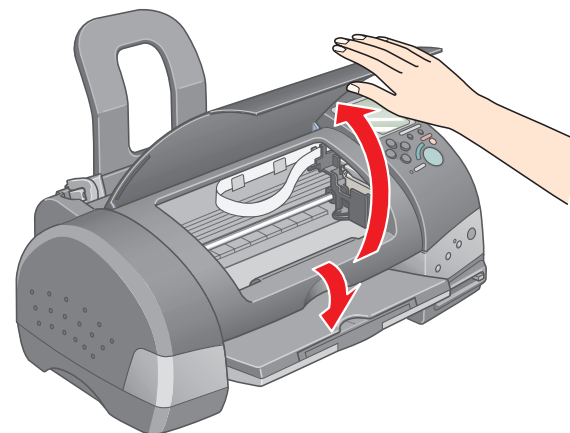


2 Press the dark gray power button to turn on the printer.

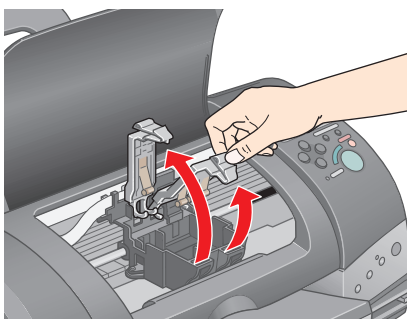


4 Install Ink Cartridges

1 Open the output tray.

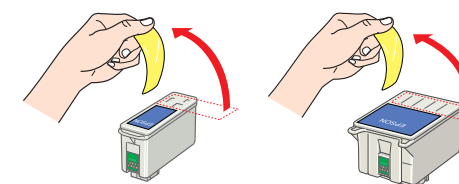


2 Open the printer cover.



3 Lift up both ink cartridge clamps.

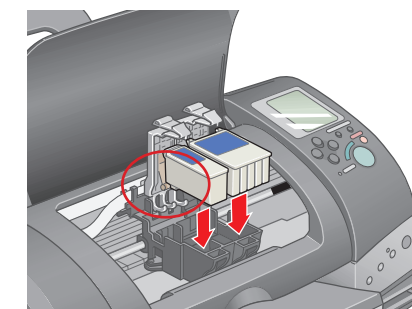
4 Unpack the ink cartridges that came with your printer and remove the yellow tape from the top.



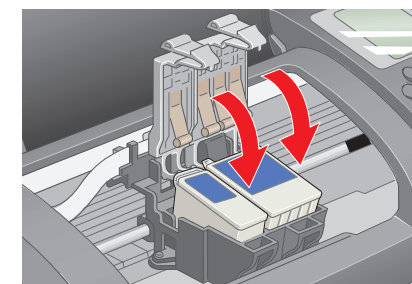
CAUTION: Install both ink cartridges and leave them installed for all types of printing, or the printer won't work.

5 Tilt each cartridge toward you as you lower it into the holder.

Make sure the tabs rest on the hooks in the back.

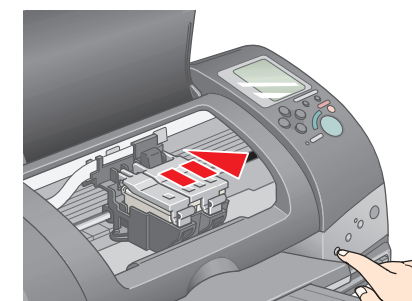


6 Lower the clamps so they snap shut.



7 Press the ink replacement button and close the cover.

The green light flashes as your printer charges ink for about 2½ minutes.



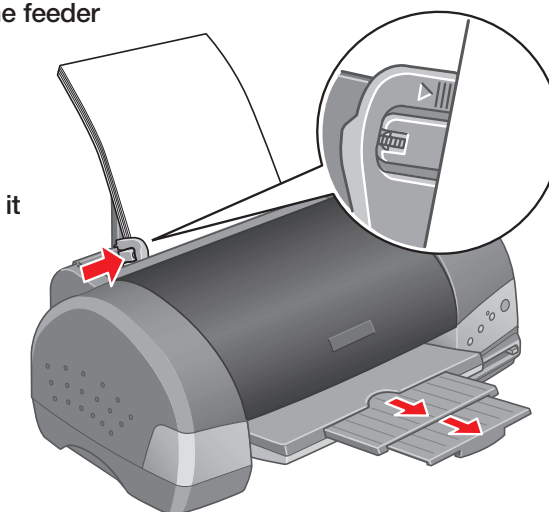
CAUTION: Don't turn off the printer or interrupt charging while the green light is flashing or you'll waste ink.

5 Load Paper

1 Load some paper against the right side of the feeder (up to the arrow inside the edge guide).

2 Press in the tab on the edge guide and slide it to fit lightly against the paper stack.

3 Pull out the output tray extensions.

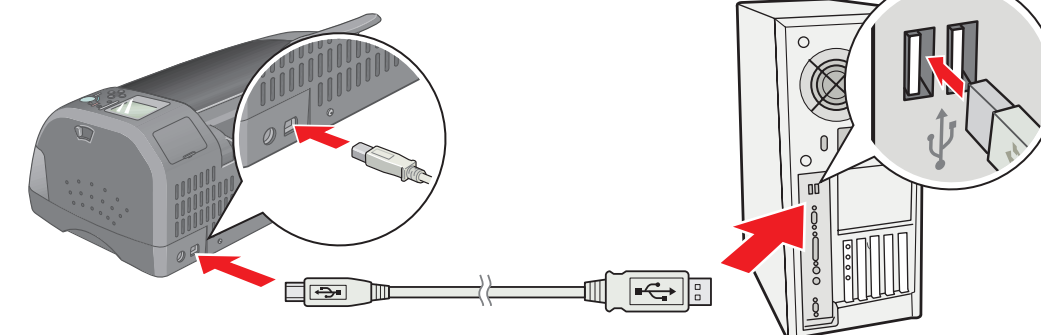


6 Connect the Printer

1 Make sure you have a USB cable (not included with your printer).



2 Plug the square end of the USB cable into your printer's USB port.



3 Plug the flat end of the cable into any available USB port on your computer.

Continue

Turn over →

7 Install Software

Windows

If you're using Windows Me or 2000, see "Installing Your Printer Software" in the *Printer Basics* book for instructions.

Follow the steps below to install the software for Windows XP or Windows 98.

Windows XP

1 Make sure your printer is connected and turned on. Turn on your computer, if it isn't already on.

2 Wait for Windows to detect your printer connection and display this screen:

DON'T CLICK ANY BUTTONS ON THE SCREEN YET.

NOTE: If this screen doesn't appear, make sure your printer is turned on and fully connected.

3 Put the EPSON® CD-ROM in your CD-ROM or DVD drive and wait a few seconds for the CD-ROM to be recognized.

Your printer software installs automatically and various messages appear on the screen.

4 Click **Finish**. You see another Found New Hardware Wizard screen.

5 Click **Next**. More software is installed.

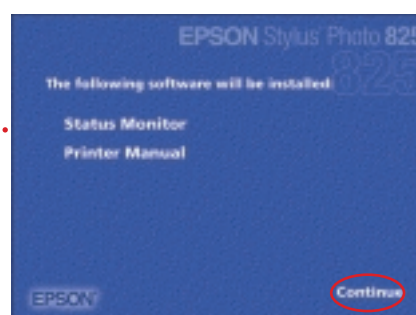
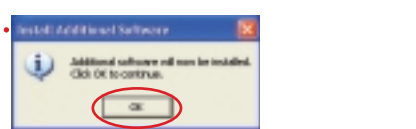
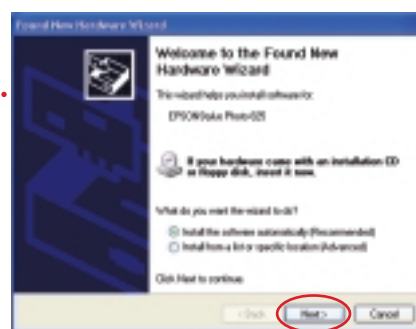
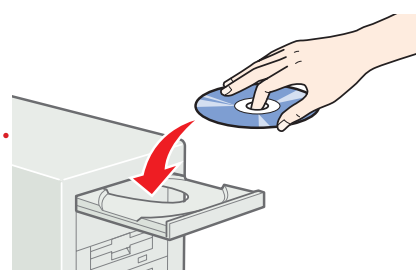
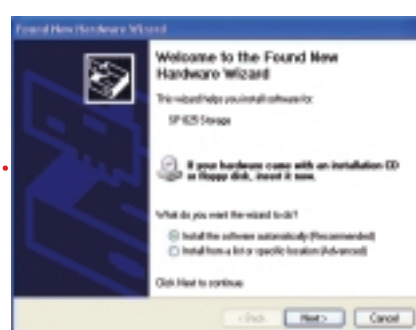
6 Click **Finish**. You see this message.

7 Click **OK**.

8 When you see the license agreement, click **Agree**.

9 When you see this screen, click **Continue**.

Now go to "Installing Optional Software" in the next column.



Windows 98

1 Make sure your printer is connected and turned on. Turn on your computer, if it isn't already on.

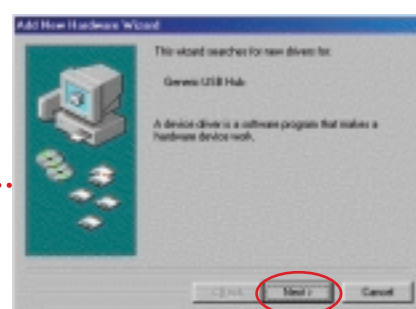
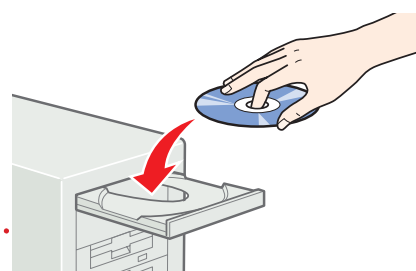
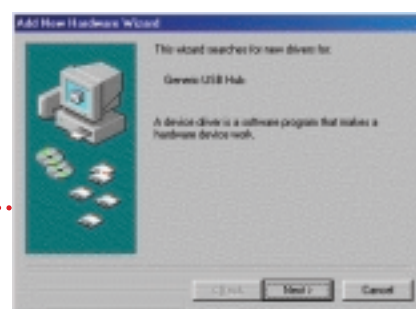
2 Wait for Windows 98 to detect your printer connection and display a screen like this:

DON'T CLICK ANY BUTTONS ON THE SCREEN YET.

NOTE: If this screen doesn't appear, make sure your printer is turned on and fully connected.

3 Put the EPSON CD-ROM in your CD-ROM or DVD drive and wait a few seconds for the CD-ROM to be recognized.

4 Click **Next** on the Add New Hardware Wizard screen.



Continue

5 Make sure the **Search for** option is selected, then click **Next**.

6 Click **CD-ROM drive**, then click **Next**.

7 At this screen, click **Next**.

Installation proceeds automatically. When installation halts, click **Finish**.

Your computer detects your printer and you see a screen like this:

8 Continue clicking **Next** or **Finish**. Installation proceeds automatically.

9 At the final Add New Hardware Wizard screen, click **Finish**. You see this message.

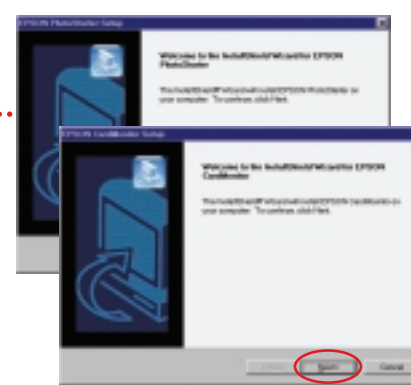
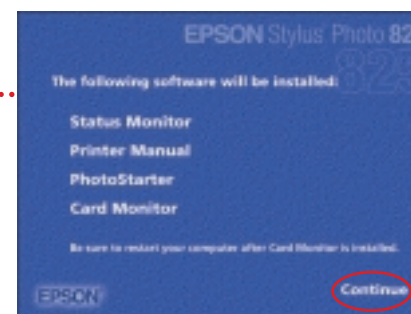
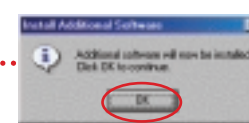
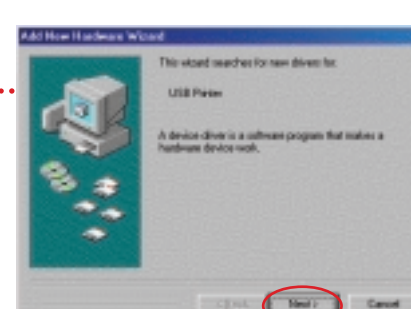
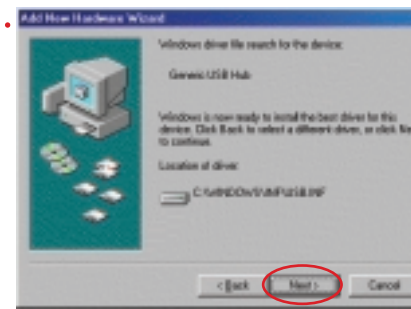
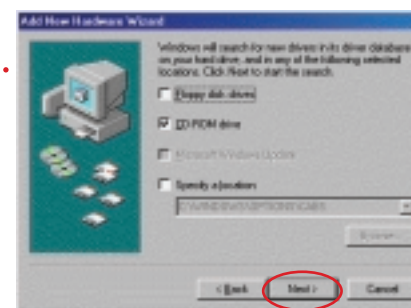
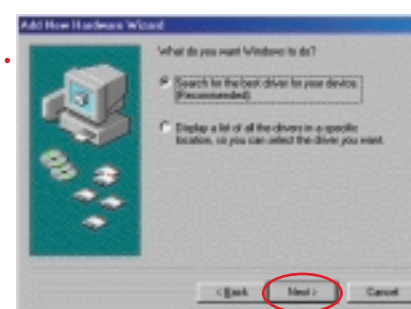
10 Click **OK**. When you see the license agreement, click **Agree**.

11 When you see this screen, click **Continue**. Additional software is installed, then you see the EPSON PhotoStarter Setup screen.

12 Click **Next** and follow the on-screen instructions. Do the same thing when you see the EPSON CardMonitor Setup screen.

13 When setup is complete, select **Yes** to restart your computer and click **Finish**. Leave in the CD-ROM as your computer restarts.

Continue with the steps below to install optional software.



Installing Optional Software

1 At the Optional Software menu, click the button for each program to learn more about it. If you want the program, click **Install** and follow the instructions on the screen.

2 If you see a message about installing QuickTime®, click **Yes** and follow the on-screen instructions. **You don't need a registration number.**

3 When you're finished installing software, close any open windows.

4 Click **Exit**.

5 When you see the registration screen, register your printer with EPSON as instructed. Remove the CD-ROM and keep it in case you need to reinstall any software later.

You're ready to print! See section 8.



Macintosh

1 Make sure your printer is connected and turned on. Then turn on your Macintosh. If you see this message, click **Cancel**.

2 Put the EPSON CD-ROM in your CD-ROM or DVD drive.

3 Mac® OS X: Double-click the EPSON CD-ROM icon on the desktop to open it, then double-click the EPSON OS X Installer icon.

Mac OS 8.6 to 9.x: Double-click the EPSON OS 8 and 9 Installer icon (you may have to double-click the EPSON CD-ROM icon on the desktop to open the window).

4 Read and agree to the license agreement to continue the installation.

5 Click **Install Printer Driver and Utilities** and follow the on-screen instructions to install the software. Then restart your Macintosh.

6 For OS 8.6 to 9.x users, register your printer with EPSON after your Macintosh restarts.

7 Mac OS X: Open Print Center. If you don't see your printer in the printer list, select **EPSON USB** in the pull-down menu on the Printer List screen, click **SP 825(USB)**, and click **Add**. Close the Print Center.

Mac OS 8.6 to 9.x: Select the **SP 825** icon in the Macintosh Chooser. Select your USB port and turn on background printing. Then close the Chooser.

8 Mac OS X: Double-click the EPSON OS X Installer icon.

Mac OS 8.6 to 9.x: Double-click the EPSON OS 8 and 9 Installer icon.

9 Click **Install Optional Software**. You see this screen.

10 Click the button for each program to learn more about it. If you want the program, click **Install** and follow the instructions on the screen.

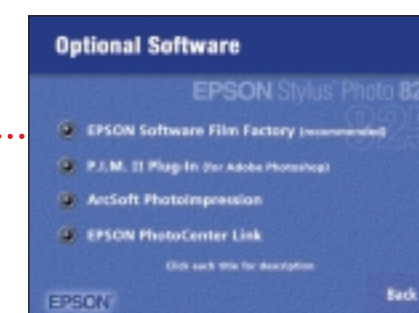
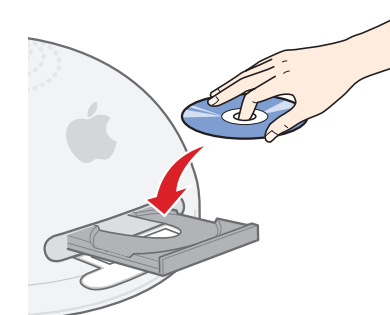
11 When you're finished installing software, close any open windows and click **Back** to return to the Install Menu.

12 Click **Install Printer Manual**.

13 For OS X users, if you want to print from Macintosh Classic applications as well as OS X applications, start your Macintosh in OS 9 and repeat steps 3 through 11.

14 When you're finished, click **Exit**. Remove the CD-ROM and keep it in case you need to reinstall any software later.

You're ready to print! See section 8.



8 Print

Now you're ready to print. For instructions, use these resources:

• Your *Printer Basics* book

Learn about loading paper, printing, maintaining your printer, solving problems, and contacting EPSON.

• Your *Quick Reference* card

Keep it next to your printer for quick tips on printing without a computer.

• Your on-screen *Reference Guide*

Click the **Printer Manual** icon on your desktop to view more information about your printer.

