



Montpelier
Non-catalytic Wood Insert



Economical. High Efficiency.

Performance

Montpelier Wood Insert



Turn Your Fireplace Into A High Efficiency Appliance

Imagine an economical, high efficiency, environmentally friendly way to bring heat and comfort to your home. That's the Montpelier Wood Insert from Vermont Castings. It's EPA certified to be among the cleanest burning wood inserts available, and includes an amazing array of features and benefits. Included is a quiet, high volume, variable speed fan that circulates significantly more heat back to your home than traditional wood inserts. A removable baffle enables easy cleaning. Rear wheels make the Montpelier easier to install.



Montpelier Insert with
Caprice Surround in Classic Black

Montpelier Wood Insert

Standard Features

- 280 sq. in. viewing area – 60% larger than our competition in the same class
- CNH+ (Carbon Neutral Heating) clean burning non-catalytic combustion system
- Firebox (gasketed construction), front, and door constructed of the best material for wood-heating; quality cast iron from our Vermont foundry
- 6" Flue Collar is detachable, secured from outside or inside the firebox, and adjustable for vertical or 30 degree offset
- Quiet, high-volume heat-activated variable speed circulation fan is included. The power cord can be directed to either side. The fan can be easily cleaned and serviced from the front of the insert. The fan improves circulation of the room air, but is not required to provide heat.
- Burn time up to 10 hours
- Log length: 18" to 22"
- No power no problem – stay warm during power outages
- Rear wheels ease installation
- Easily removable Internal Baffle for chimney cleaning
- Full refractory lining



Montpelier Insert with Georgian Surround in Ebony Black

The Montpelier insert turns your wood fireplace into a high efficiency centerpiece – adding beauty and style to your home.

The Montpelier is a wood stove that fits into your fireplace! The firebox, front, and door are constructed of the finest cast iron materials from our Vermont foundry and can provide even heat for up to ten hours.

Optional Trim Kits

You can accessorize the Montpelier insert from an array of outer trim kits that enable you to match décor ranging from contemporary to more traditional styles. The Montpelier has been designed to fit all of our existing LHE30 Gas Insert surrounds. These surrounds include:

- **Georgian Cast Surround**
(as pictured above) – comes in Ebony Black and Classic Black covers 30¼” H x 41” W
- **Mead Cast Surround**
(pictured on cover) – comes in three color options – Classic Black, Ebony Black and Biscuit covers 28¼” H x 40¹¹/₁₆” W

- **Caprice Cast Adjustable Profile Surround** (pictured on page 2) with Adjustable Bevel Steel Surround comes in Classic Black and Ebony Black covers 25” H x 35” W
- **Bevel Cast Trim Surround** available in Large with Cast Keystone & Boots comes in Classic Black (not pictured) covers 27⁷/₈” H x 40³/₄” W
- **Steel Surrounds** (not pictured)
 - Small 4.5” – offered in Classic Black covers 27” H x 38¼” W
 - Large 6” – Classic Black, Antique Brass with gold plate covers 28¼” H x 41” W
- **Extended Trim Plate** (not pictured) To be used behind surrounds for larger openings (not for use with Caprice) 32¼” H x 49” W

- **DIY Inside Fit Surround Kit**
Includes hardware and instructions. Make your own custom fit back panel to fill any size fireplace opening.

Please refer to the back cover for the Montpelier Wood Insert and selected trim kit specifications. To see a full selection of all available trim kits, please reference the TrimWorks Gas Fireplace Insert brochure #1000-7033.

This unique wood insert allows you to match your décor with three color options including:

- Classic Black (CB)
- Biscuit (BS)
- Ebony Black (EB)

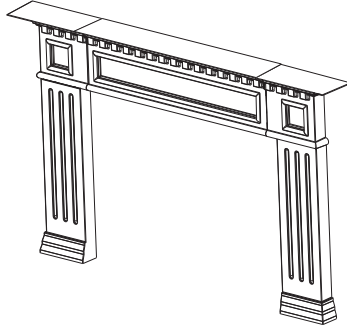


Montpelier Non-catalytic Wood Insert Model • MONTP

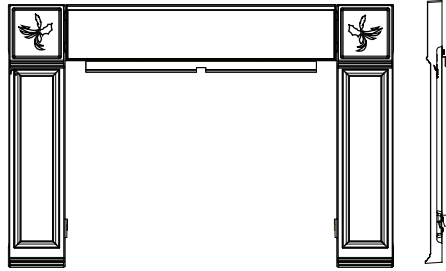


Surrounds (as pictured in brochure)

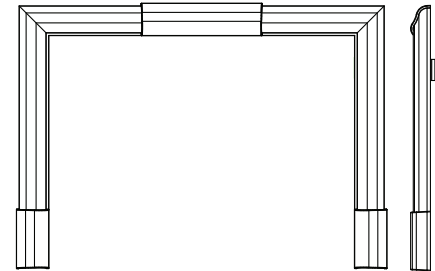
Georgian Surround



Mead Surround



Caprice Surround

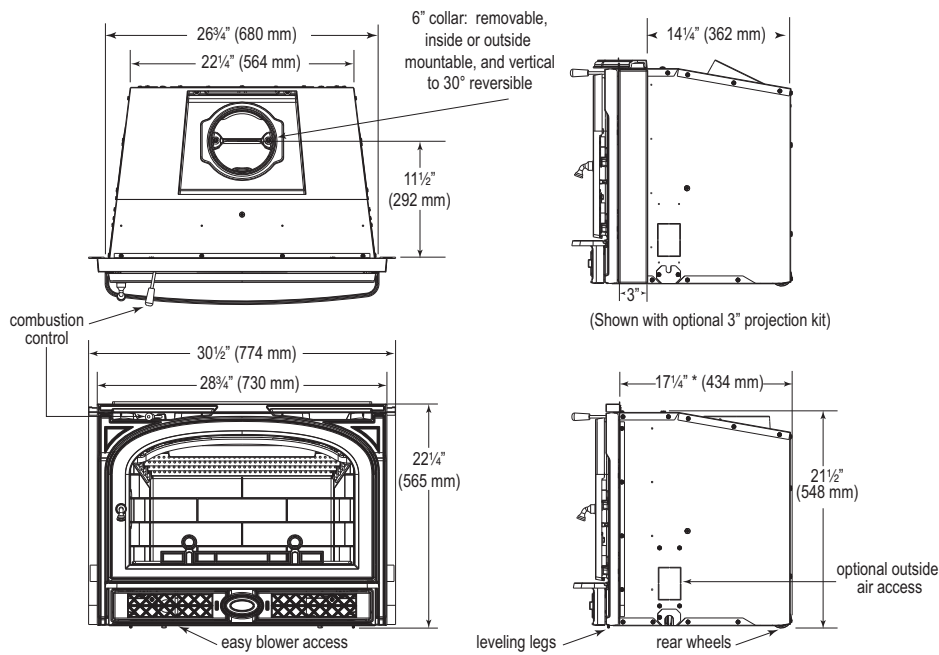


Georgian Traditional Cast Surround in Ebony or Classic Black covers 30¹/₄" H x 41" W

Mead Cast Iron Surround covers 28¹/₄" H x 41¹/₁₆" W

Caprice Surround with Adjustable Bevel Steel Surround available in Classic Black and Ebony covers 25" H x 35" W

Montpelier Wood Insert



Specifications:

EPA Emissions Rating: 3.0 grams/hr
 EPA Rated Heat output: 10,100 - 27,550 BTU/hr
 Maximum Heat Output: 50,000 BTU/hr
 Area Heated: 1,500 sq. ft.
 Length of Wood Splits: 18" (460mm) upto 22" (560mm)
 Fuel Capacity: 30lbs (13.5 kg)
 Loading: Front
 Flue Size: 6" (150mm) round
 Fireplace Insert Weight: 335lbs (152 kg)
 Flue Exit Position: Top (verticle or 30° offset)
 Blower Rating: 150 cfm (115V, 60Hz)

Minimum Fireplace Dimensions:

Height: 21¹/₂"
 Width Front: 27"
 Depth: 17¹/₂"
 (14¹/₂" with 3" projection kit)
 Width Rear: 22¹/₂"
 (at insert depth)

Optional:

Choice of Classic Black or two enamel colors: Biscuit and Ebony Black
 Outside Air Kit
 3" Projection Kit #M3PKCB
 Seven Surround style options



ph: 1.800.525.1898

www.vermontcastings.com
 www.majesticproducts.com

YOUR DEALER