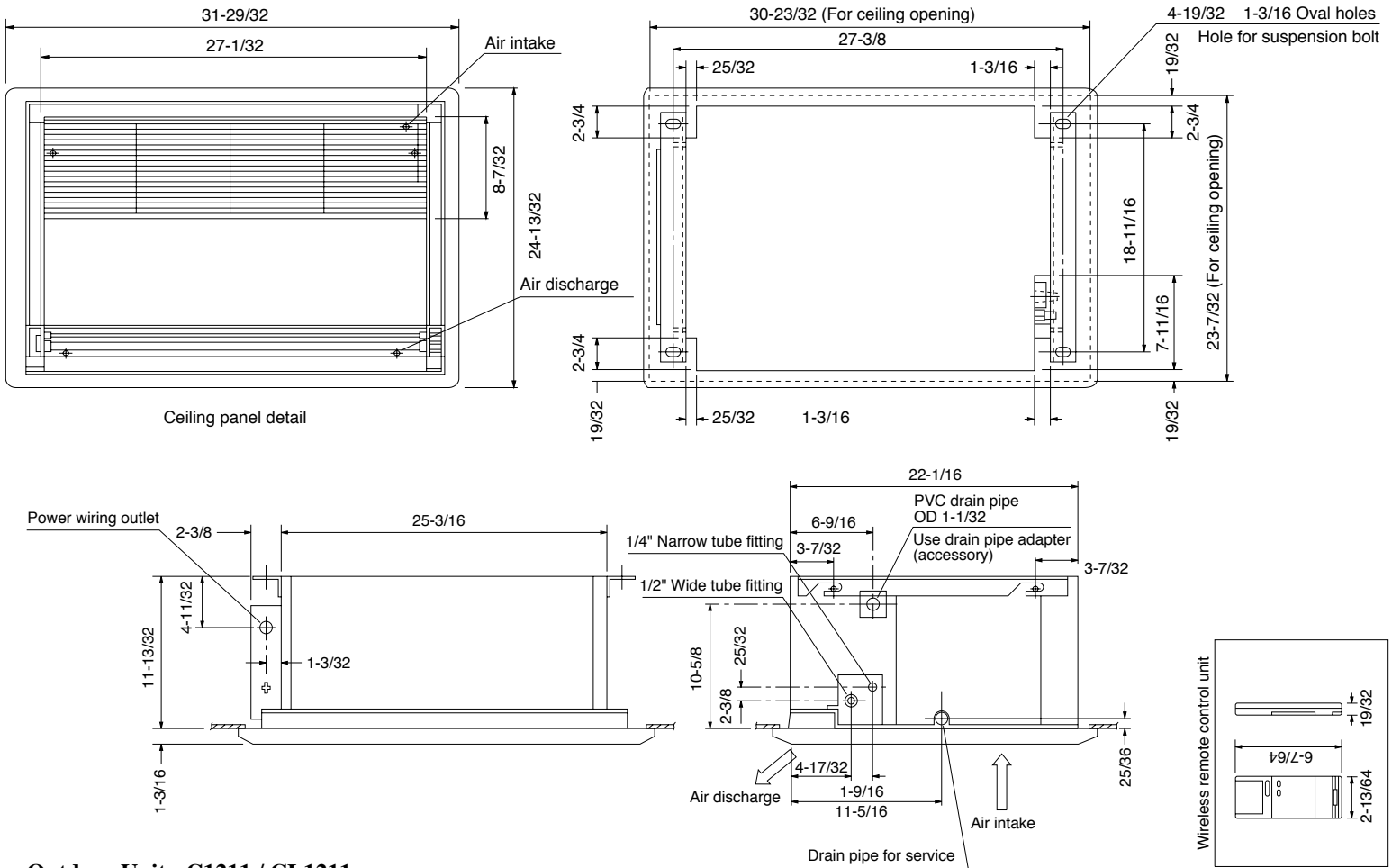
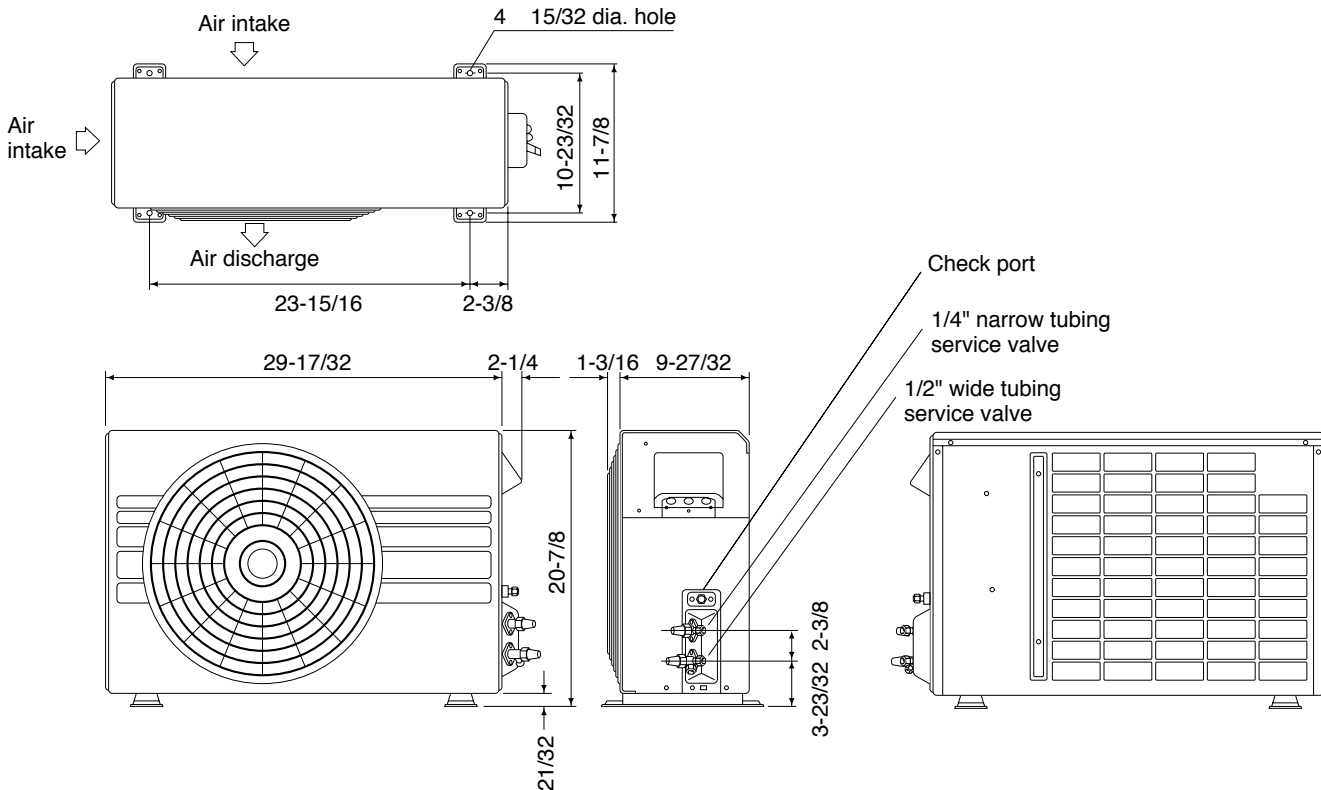


DIMENSIONAL DATA

Indoor Unit: RS1211



Outdoor Unit: C1211 / CL1211



WARRANTY

SANYO products are warranted against defects in materials and workmanship for the period below;

	LABOR	PARTS
Compressor	30 Days	5 Years
Other Components	N/A	1 Year

Full specific warranty rights, conditions, exclusions and obligations are specified in the warranty packed with each products.

Because of a policy of continuous product improvements, SANYO reserves the right to change specifications and design without notice.

SANYO FISHER COMPANY
A Division of SANYO North America Corporation
21605 Plummer St. Chatsworth, CA 91311
Phone : (818) 998-7322
Fax : (818) 701-4160
Website: <http://www.sanyohvac.com>