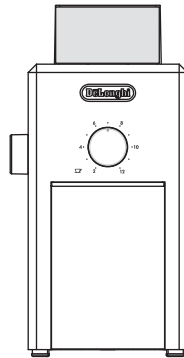


**COFFEE MILL - IMPORTANT INSTRUCTIONS  
SAVE THESE INSTRUCTIONS**

**MOULIN A CAFE - MODE D'EMPLOI IMPORTANT-  
CONSERVEZ LES PRESENTES INSTRUCTIONS**

**MOLINILLO DE CAFÉ - INSTRUCCIONES IMPORTANTES  
REPASE Y GUARDE ESTAS INSTRUCCIONES- LEA  
CUIDADOSAMENTE ESTE INSTRUCTIVO ANTES DE UTILIZAR EL  
APARATO**

**MACINACAFFÈ - ISTRUZIONI IMPORTANTI  
CONSERVARE LE ISTRUZIONI**



KG 79-89

Register this product on-line and receive a free trial issue of Cook's Illustrated. Visit [www.delonghiregistration.com](http://www.delonghiregistration.com). Visit [www.delonghi.com](http://www.delonghi.com) for a list of service centers near you. (U.S. and Canada only)

Enregistrez ce produit en ligne et recevez un numéro gratuit de Cook's Illustrated. Visitez [www.delonghiregistration.com](http://www.delonghiregistration.com). Visitez [www.delonghi.com](http://www.delonghi.com) pour y voir une liste des centres de réparation proches de chez vous. (É.-U. et Canada).

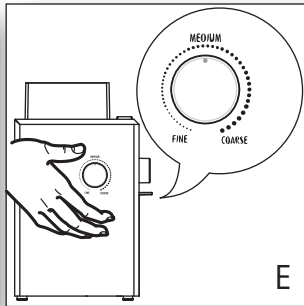
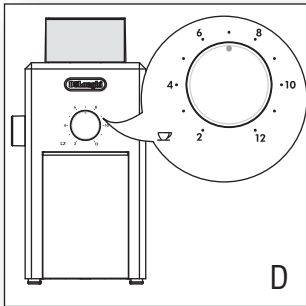
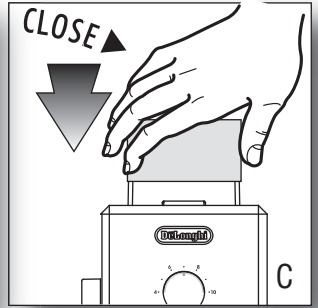
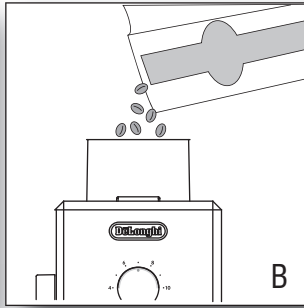
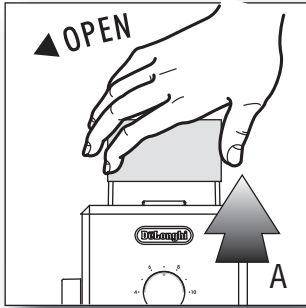
Registre este producto en línea y reciba un ejemplar gratis de Cook's Illustrated. Visite [www.delonghiregistration.com](http://www.delonghiregistration.com).

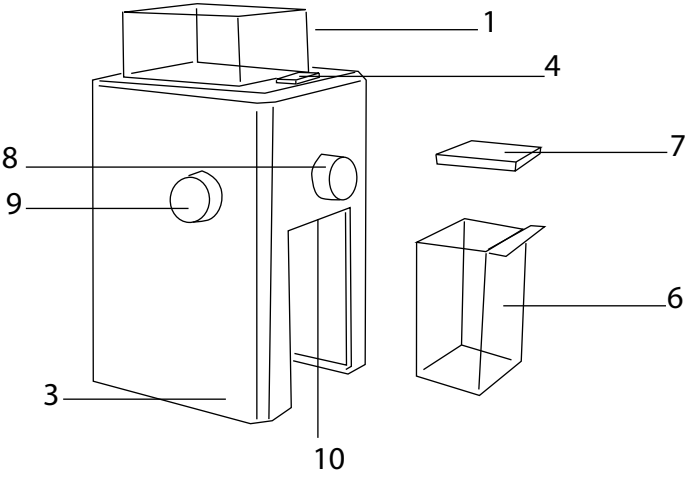
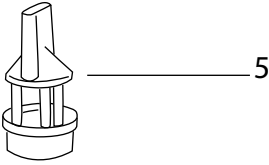
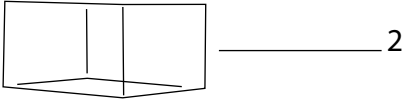
Visite [www.delonghi.com](http://www.delonghi.com) para ver la lista de centros de servicios cercanos a usted. (Estados Unidos y Canada)

Registra questo prodotto "on-line" per ricevere una copia omaggio della rivista "Cook's Illustrated". Visita [www.delonghiregistration.com](http://www.delonghiregistration.com). Visita [www.delonghi.com](http://www.delonghi.com) per una lista dei centri di servizio a te piu vicini. (Stati Uniti e Canada)

ELECTRONIC CHARACTERISTICS: CARACTÉRISTIQUES ÉLECTRIQUES:  
CARACTERISTICAS ELECTRICAS: CARATTERISTICHE ELETTRICHE:  
120V - 60Hz 170W

**DeLonghi**





# IMPORTANT SAFEGUARDS

When using electrical appliances, basic safety precautions should always be followed to reduce the risk of fire, electric shock, and/or injury to persons including the following:

1. Read all instructions carefully before using the coffee-mill.
2. To protect against risk of fire, electrical shock and injury to persons, do not immerse cord, plug or appliance in water or other liquids.
3. The appliance is not intended for use by persons (including children) with reduced physical, sensory or mental capacities, or lack of experience and knowledge, unless they have been given supervision or instruction concerning use of the appliance by a person responsible for their safety. Children should be supervised to ensure that they do not play with the appliance.
4. Close supervision is necessary when any appliance is used by or near children.
5. Do not remove the lid until the burr has stopped completely. After releasing the push button the burr will come to a stop within 2 to 3 seconds.
6. Unplug from the outlet when not in use, before putting on or taking off parts, and before cleaning. Allow to cool down before putting on or taking off parts, before cleaning the appliance, and before storing.
7. Do not operate any appliance with a damaged cord or plug or after the appliance malfunctions, or has been dropped or damaged in any manner. Return the appliance to the nearest authorized De'Longhi service center for examination, repair or adjustment.
8. To reduce the risk of injury do not drape cord over the counter top or table top where it can be pulled on by children or tripped over unintentionally.
9. Do not let the cord hang over the edge of the table or counter, or touch hot surfaces.
10. Do not use outdoors.
11. Do not place on or near a hot gas or electric burner, or in a heated oven.
12. To disconnect, remove plug from wall outlet. Do not yank cord, instead grasp plug and pull to disconnect.
13. Do not use the appliance for other than intended use. Never chop ice or use the coffee mill other than as described in the instructions.
14. Check grinding chamber for presence of foreign objects before using.
15. Make certain the voltage of the appliance is in accordance with your domestic supply.
16. Any servicing other than cleaning and user maintenance should be performed by the nearest authorized De'Longhi Service Center.  
Do not immerse the appliance in water.
17. To reduce the risk of fire or electric shock, do not dismantle the appliance.
18. Repair should be done by an authorized De'Longhi Service Center only.
19. The use of attachments not recommended or sold by the manufacturer may cause fire, electric shock or injury.
20. Avoid contacting moving parts.
21. This appliance has a polarized plug (one blade is wider than the other). To reduce the risk of electric shock, this plug is intended to fit into a polarized outlet only one way. If the plug does not fit fully in the outlet, reverse the plug. If it still does not fit, contact a qualified electrician. Do not attempt to modify the plug in any way.

A short power cord is provided to reduce risks resulting from becoming entangled in or tripping over a longer cord. Longer, detachable power supply cords or extension cords are available and may be used if care is exercised in their use. If an extension cord is used, the marked electrical rating should be at least as great as the electrical rating of the appliance. The longer cord should be arranged so that it will not drape over the counter-top or table top where it can be pulled on by children or tripped over.

## SAVE THESE INSTRUCTIONS

**This appliance is for household use only**

## DESCRIPTION OF THE APPLIANCE

---

1. Coffee-bean hopper
2. Coffee-bean hopper lid
3. Body
4. ON/OFF switch
5. Removable upper burr
6. Ground coffee container
7. Ground coffee container lid
8. Cup selector knob
9. Coarseness selector knob
10. Ground coffee dispenser

## ABOUT GRINDING COFFEE

---

The proper grind gives the most flavorful cup of coffee. The size of the grind depends on the method by which the coffee is to be brewed. Generally, the finer the grind the more quickly the coffee should be prepared, that is why coffee ground for use in an espresso machine is much finer than coffee to be brewed in a drip system.

Coffee that is ground too fine for a particular brewing process - (fine espresso grind used in an automatic drip coffee machine) will result in over-extraction and bitter, pungent tasting coffee. Conversely, coffee that is too coarse for a particular brewing method will result in under-extraction and weak, watery coffee. If the correct grind is used, adding more coffee simply makes a brew stronger without making it bitter.

In addition to providing a number of grind settings, coffee mills provide a consistent grind. This is important to ensure the extraction is consistent across all of the ground coffee particles.

## BEFORE FIRST USE

---

Before using the coffee mill, wipe the housing and bean hopper with a clean damp cloth. Wash the coffee bean hopper, coffee bean hopper lid, ground coffee container and ground coffee container lid in hot soapy water, then rinse and dry. The ground coffee holder, its lid, and the bean

hopper lid can be washed in the top rack of a dishwasher.

**NOTE: the burr can not be washed and must be kept dry at all times. Clean burr with stiff bristled brush.**

## OPERATING THE COFFEE MILL

---

- **Make certain the coffee mill is unplugged.** Fit the ground coffee container (6) and its lid (7) in their correct position. Check that the assembly is correctly positioned in the body (3).
- Remove the lid of the coffee bean hopper (2/fig. A) and fill the bean hopper to the level desired (1/fig. B). Do not fill above the "max." level. Replace the lid and make certain that it is correctly positioned, pressing it down till the end (fig. C).  
**If the lid is not in the correct position the grinder will not work.**
- **NOTE: This product is designed to grind whole bean coffee only.**
- Set the quantity of ground coffee by positioning the cup selector knob (Fig. D) according to the desired quantity.
- Set the ground coffee fineness level by adjusting the ground coffee fineness selector (Fig. E) to the desired level.
- Insert the plug into an electrical socket (voltage: 120 V - 60 Hz).
- Press the ON/OFF switch (4) to start the appliance.
- Once the selected quantity has been milled, the appliance will stop automatically.
- If you want to stop the appliance before milling is complete, press ON/OFF switch (4).
- Remove the ground coffee container, tap the receptacle gently, remove the lid and pour the ground coffee into filter of the coffee maker or use a measuring spoon.
- To obtain additional ground coffee, repeat the operating cycle.  
Always first make sure that the ground coffee does not go above the "max." level of the ground coffee container (6).

Selected settings will be retained from one use to the next.



### IMPORTANT!

For your appliance run correctly, make certain that:

- the lid to the coffee-bean hopper (2) is correctly positioned.
- The ground coffee container (6) and its lid (7) are correctly placed in the body of the appliance.

## TIPS

- It is best to store coffee beans in a cool, dry place. Beans should be kept in an opaque, airtight container.
- Grind the coffee just prior to brewing it.

### Advice to select the level of coarseness of your ground coffee.

- Use the coarseness selector knob (Fig. E) to adjust the grind according to the type of coffee maker.
- Generally, the quicker the water goes through the ground coffee, the finer the ground coffee should be.

A “medium” ground is thus suited to making filter coffee while a “very fine” ground is needed to make an Espresso.

- For the first use, we suggest that you use an intermediate position and then adjust the setting to your taste.

Once you have used the appliance a few times, you will find the ideal grind setting to suit your taste and brewing method.

- **Do not change the grind setting while the appliance is running.**

GRIND	TYPE OF COFFEE MAKER
Fine	Espresso
Medium/Fine	AutoDripw/Permanent Filter
Medium	AutoDripw/Permanent Filter
Medium/Coarse	Percolator
Coarse	French Press

## Suggest Grind Settings:

### Advice to select the number of cups

- Use the cup selector knob (Fig. D) to program the quantity of ground coffee you want.
- The more cups you select, the longer the appliance will run.
- The mill grinds 1 tablespoon of coffee per cup selected.

## MAINTENANCE

- To keep all your coffee's aroma and to avoid a degradation of the ground coffee, empty the ground coffee holder after each use.
- Always disconnect the grinder before cleaning.
- Never place the grinder, power supply cord or plug in water or under running water.
- Do not use strong detergents or abrasive pads to clean the appliance.
- Clean the lids and the ground coffee container in warm, soapy water.
- To remove the upper burr (5), set the coarseness selector knob (Fig. E) to the fine position then take hold of the top of the burr of the upper mill with your fingers and turn clockwise, then pull it vertically to remove.
- Carefully clean the inside of the coffee-bean hopper (1) with a damp cloth.
- To replace the upper burr, set the coarseness selector knob (Fig. E) to the coarse position, insert the burr and turn it once in the counter-clockwise direction.
- Carefully clean the ground coffee dispenser and the body of the appliance with a damp cloth making sure no coffee residue is blocking the ground coffee dispenser.

### HOW MUCH COFFEE TO USE PER MACHINE:

#### Espresso Maker:

- 1 tablespoon per 1 oz shot of espresso

#### Drip Coffee, French Press, Percolator:

- 1-2 tablespoons per 1 (5oz) cup of coffee

# TROUBLE SHOOTING GUIDE

---

<b>PROBLEM</b>	<b>CAUSE/SOLUTION</b>
The appliance does not work.	Please make sure the plug is plugged correctly into the socket and socket works properly  The lid of the coffee bean hopper is not correctly positioned.  The ground coffee hopper is not correctly positioned or the lid of the ground coffee hopper is not correctly positioned or is not in place.
The appliance stops during operation.	The appliance has overheated. The thermal fuse of the motor released. You have to contact an approved service center.  <b>Causes of overheating to be avoided:</b>  The maximum capacity of bean hopper, or the maximum capacity of ground coffee in the ground coffee container has been exceeded.
The selector of the ground coarseness does not work anymore.	Check the upper burr is correctly positioned. (see maintenance section above).

This warranty applies to all products with De'Longhi or Kenwood brand names.

## LIMITED WARRANTY

---

### **What does the warranty cover?**

We warrant each appliance to be free from defects in material and workmanship. Our obligation under this warranty is limited to repair at our factory or authorized service center of any defective parts or part thereof, other than parts damaged in transit. In the event of a products replacement or return, the unit must be returned transportation prepaid. The repaired or new model will be returned at the company's expense.

This warranty shall apply only if the appliance is used in accordance with the factory directions, which accompany it, and on an Alternating current ( AC ) circuit.

### **How long does the coverage last?**

This warranty runs for one year ( 1 ) from the purchase date found on your receipt and applies only to the original purchaser for use.

### **What is not covered by the warranty?**

The warranty does not cover defects or damage of the appliance, which result from repairs or alterations to the appliance outside our factory or authorized service centers, nor shall it apply to any appliance, which has been subject to abuse, misuse, negligence or accidents. Also, consequential and incidental damage resulting from the use of this product or arising out of any breach of contract or breach of this warranty are not recoverable under this warranty. Some states do not allow the exclusion or limitation of incidental or consequential damage, so the above limitation may not apply to you.

### **How do you get service?**

If repairs become necessary, see contact information below:

U.S. Residents: Please contact our toll free hotline at 1-800-322-3848 or log onto our website at [www.delonghiusa.com](http://www.delonghiusa.com). For all accessories, spare parts or replacement parts, please contact our parts division at 1-800-865-6330.

Residents of Canada: Please contact our toll free hotline at 1-888-335-6644 or log onto our website at [www.delonghi.com](http://www.delonghi.com).

Residents of Mexico: Please refer to the Limited Warranty statement for Mexico.

Please refer to the back page of the manual for De'Longhi addresses.

The above warranty is in lieu of all other express warranties and representations. All implied warranties are limited to the applicable warranty period set forth above. This limitation does not apply if you enter into an extended warranty with De'Longhi. Some states do not allow limitations on how long an implied warranty lasts, so the above exclusions may not apply to you. De'Longhi does not authorize any other person or company to assume for it any liability in connection with the sale or use of its appliance.

### **How does state law apply?**

This warranty gives you specific legal rights, and you may also have other rights, which vary from state to state.





**De'Longhi America, Inc.**

Park 80 West, Plaza One  
Saddle Brook, NJ 07663  
1-800-322-3848

**De'Longhi Canada, Inc.**

6150 McLaughlin Road  
Mississauga, Ontario  
L5R 4E1 Canada  
1-888-335-6644

**Fiducia Italiana S.A de C.V.**

Pestalozzi 814  
Col. Del Valle  
Del. Benito Juarez  
México D.F. 03100  
tels: 5543 1447 y 5543 6492  
Lada sin costo: 01800 711 8805

[www.delonghi.com](http://www.delonghi.com)