

TYCO R/C 6.0V JL.

REFER TO LABEL ON TRANSMITTER AND CARS FOR FREQUENCY.
DO NOT RACE CARS WITH THE SAME FREQUENCY. IN BRITAIN, 49 MHz IS NOT AVAILABLE. 27MHz CAN BE RACED AGAINST 49 MHz VEHICLES.

FIREPOWER™

MODEL NO. 2847-27 (Blue)

MODEL NO. 2847-49 (Red)

Features:

- 3 channels
- Available in 2 frequencies, 27 MHz and 49 MHz
- A Transforming attack truck
- Foam missile shooter
- Adjustable steering

Safety Precautions

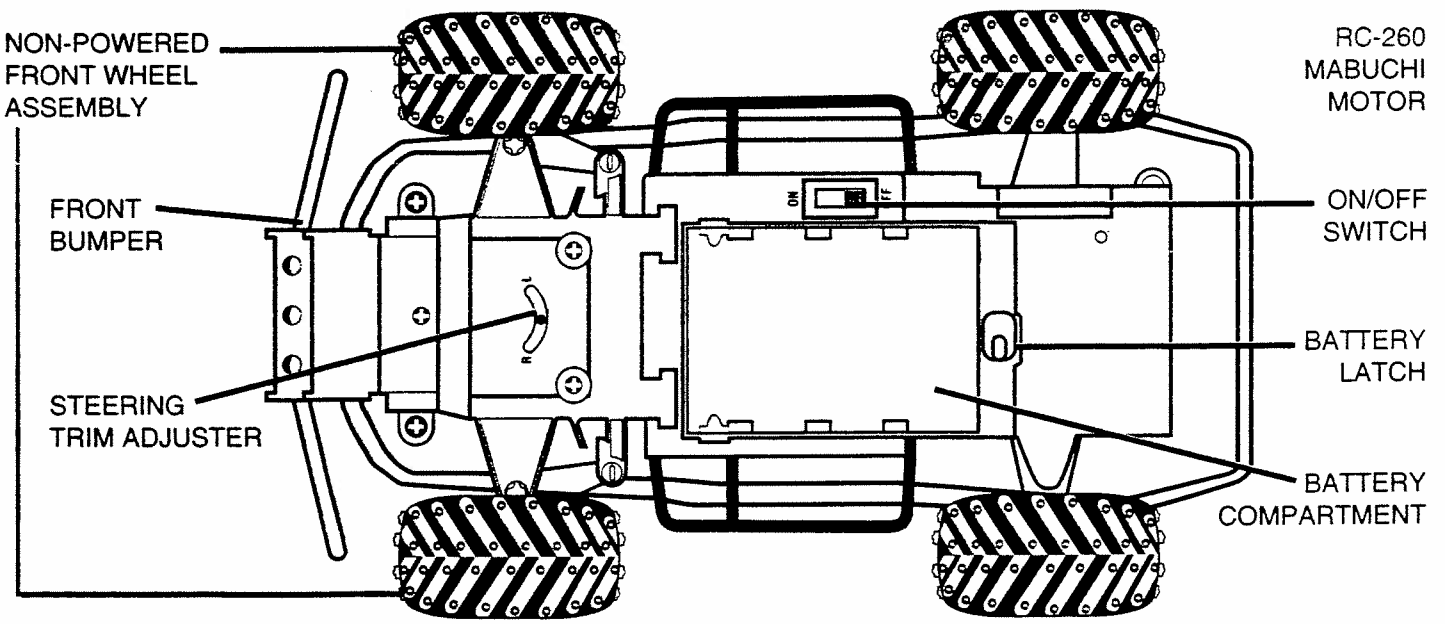
Parents, this toy is recommended for children 7 years of age and older. To ensure that your child's play is both safe and fun please review the operating instructions and these general safety rules with your child.

Caution:

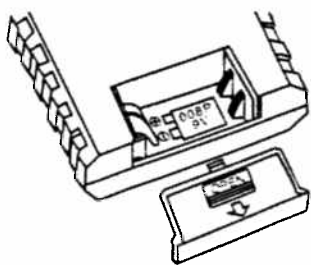
1. DO NOT pick up vehicle while in motion.
2. Keep fingers, hair and loose clothing away from the tires and the wheel hubs while the product is switched "ON".
3. If this toy is being operated in the presence of children under 5 years of age, adult supervision is recommended.
4. To avoid accidental operation, remove battery pack when not in use.
5. Never aim point or shoot foam missiles at anyone's face. Use only foam missiles provided.



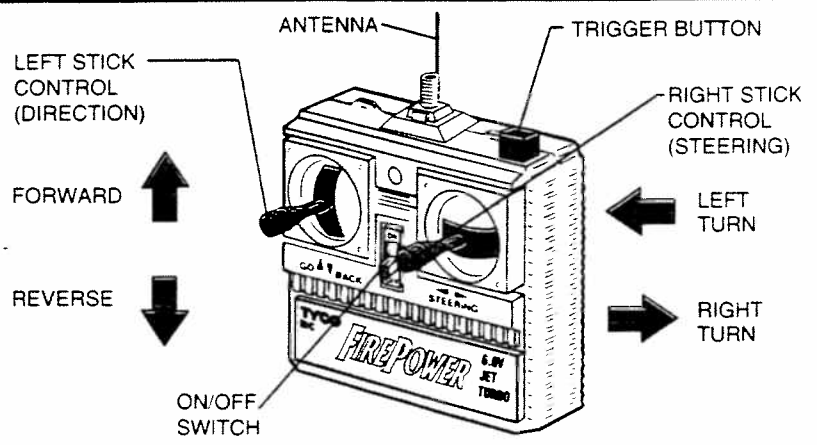
6.0V FIRE POWER



TRANSMITTER



Install one 9 volt battery with polarity as shown inside battery compartment.



BATTERY REQUIREMENTS

YOUR VEHICLE WILL NOT OPERATE WITHOUT THE 6 VOLT RECHARGEABLE NiCd BATTERY PACK AND 6 VOLT CHARGER (STK. 2990).

- This economical rechargeable system is the only battery pack and charger made to power your Tyco R/C 6.0V Jet Turbo vehicle.
- Inferior quality battery packs will shorten running time and may void the warranty.
- Rechargeable up to 1000 times.
- In Britain, use item no. 2990U, which charges from any 240 Volt wall outlet.



ALSO AVAILABLE

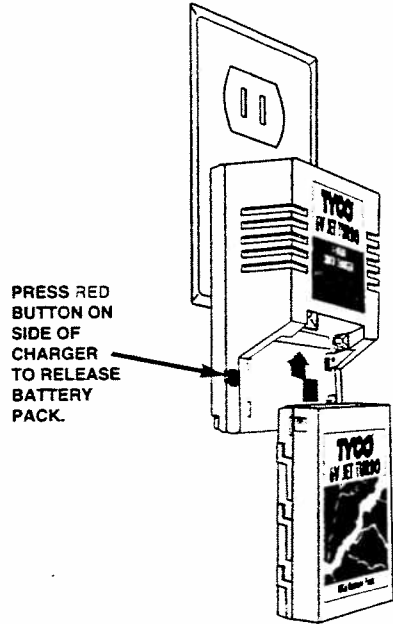
2989
Have additional Battery Packs charged ahead of time for longer non-stop racing action. Uses the Stock No. 2990 4-Hour Quick Charger.



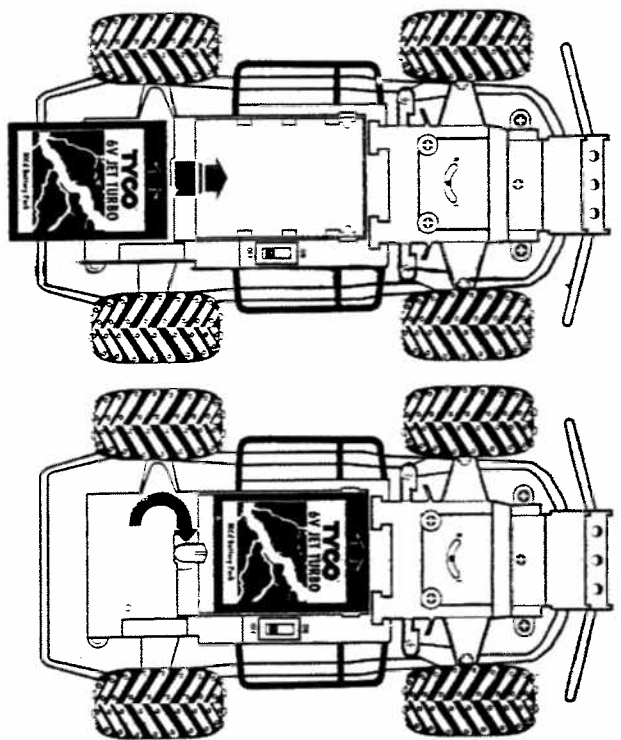
BATTERY CARE

1. Plug wall pack charger into standard 110/120 volt outlet.
2. Click the battery pack into the charger. Make certain the battery pack is secure in charger.
3. After charging for 4 hours, the battery will feel warm. This condition is normal for fully charged batteries.
4. To disconnect, push the red button on the side of charger and simultaneously slide battery pack out.
5. Charging the battery pack for more than 4 hours will not give you a longer running time. Four hours is all that is required for a fully charged battery pack.
6. Unlike alkaline batteries, where the power loss is gradual, a NiCd (nickel-cadmium) battery will suddenly lose much of its power. It is time to recharge the battery pack. Running time will be approximately 25 minutes.
7. After use, the battery pack will be hot! Wait at least 20 minutes until the battery pack cools before recharging. Recharging a warm or hot battery pack will greatly reduce the number of times your battery pack can be recharged.

NOTE:
Inferior quality battery packs will shorten the vehicle's running time and may void the warranty. Not all battery charger's will fully charge Tyco's 6.0V Jet Turbo battery pack. To properly charge your 6.0V Jet Turbo battery pack, use No. 2990 Tyco 6.0V Jet Turbo 4-Hour Quick Charger.




BATTERY INSTALLATION

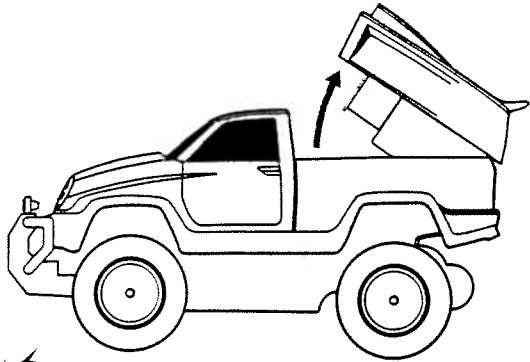


Battery must be charged for 4 hours.

RUNNING YOUR CAR

<p>27 MHz  49 MHz </p> <p>1 Radio interference is caused by the presence of another radio controlled vehicle operating on the same frequency as your vehicle. Obviously, multiple vehicles should NOT BE OPERATED ON THE SAME FREQUENCY at the same time. Only race 27 MHz vehicles against 49MHz vehicles.</p>	<p>2 Radio interference can be caused by the operation of your vehicle near HIGH VOLTAGE ELECTRICAL WIRES, LARGE STEEL REINFORCED CONCRETE BUILDINGS and PASSING TRUCKS WITH CB RADIOS. Avoid these if possible.</p> 
<p>3 DO NOT operate your vehicle over wet surfaces. Excess water can damage the electronic assemblies.</p> 	<p>4 DO NOT operate your vehicle on streets! They are for real cars.</p> 
<p>5 For best results, hold antenna up, not pointed down toward R/C car. If you drive your vehicle TOO FAR AWAY FROM THE TRANSMITTER, your signal strength will become weak and vehicle will not function properly. The maximum range for the car should be between 30 to 60 feet.</p> 	

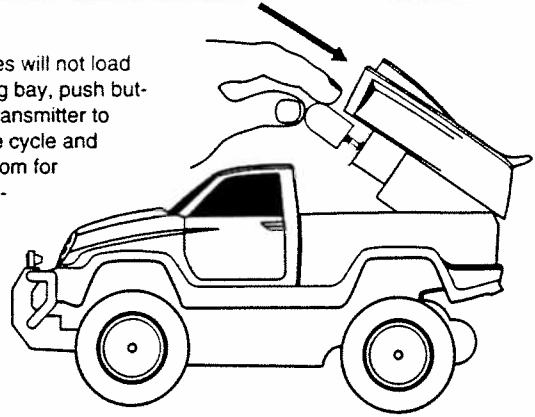
6.0V FIRE POWER™ FEATURES



Push button on transmitter and missile bay rises up.

OPENING MISSILE BAY

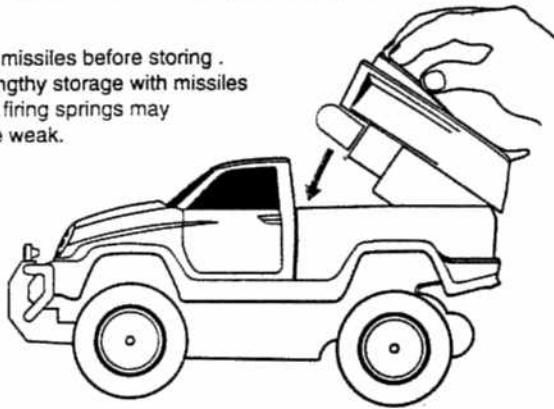
NOTE:
If missiles will not load into firing bay, push button on transmitter to clear the cycle and make room for new missiles.



Align missile shaft with missile bay. Gently push missiles into individual missile bays. Keep missiles clean. Avoid getting dirt into missile bays.

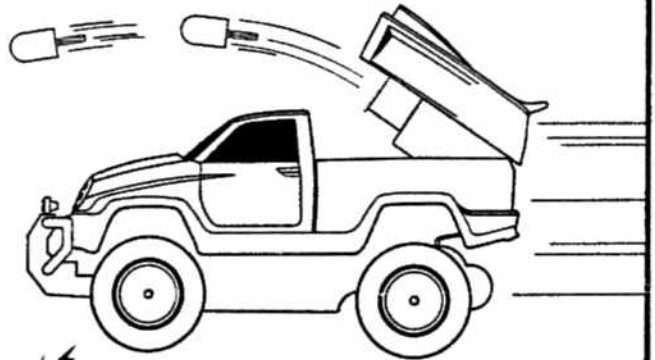
LOADING FOAM MISSILES

NOTE:
Unload missiles before storing. After lengthy storage with missiles loaded, firing springs may become weak.



Close by gently pushing down missile bay until it snaps into place.

CLOSING MISSILE BAY



Push button on transmitter to pop up missile bay. Once the missile bay is open, each time you push the button it will fire another missile until all five have been fired.

FIRING MISSILES

NEED MORE FOAM MISSILES?

NAME _____

ADDRESS _____

APT. NO. _____

CITY _____

STATE _____ ZIP CODE _____

MAIL TO: TYCO CUSTOMER SERVICE • P.O. BOX 888 • PORTLAND, OR 97207

MASTERCARD EXPIRATION DATE _____

VISA PHONE () _____

ACCOUNT NO. _____

SIGNATURE _____

DATE CHECK NO. AMOUNT

2837MISL Foam Missiles (One Bag of 5)=\$1.00	\$1.00
QUANTITY OF BAGS	x _____
	= \$ _____
HANDLING & POSTAGE	+ \$ 2.50
SUBTOTAL	= \$.50
Residents of CA, GA, IL, NJ, NY and TX add appropriate tax.	+ \$ _____
GRAND TOTAL	\$ _____

CALL TOLL FREE
1-800-FOR TYCO
1-800-367-8926

CALL BETWEEN 11:00 AM - 7:00 PM
EASTERN STANDARD TIME
MONDAY THROUGH FRIDAY

Expect some delay in January following the Christmas season.

TIPS & HINTS

- Unlike alkaline batteries where the power loss is gradual, a NiCd (NICKEL CADMIUM) Battery will lose all of its power at once. Your R/C vehicle will suddenly stop operating. Your vehicle is not defective, but it is time to recharge your battery pack.
- Operate your car in a dry, open area; avoid sand and water.
- The radio receivers in your car and transmitter are sensitive instruments. Do not store car or transmitter near heat or in direct sunlight. To avoid dampness do not leave car or transmitter outside overnight. If moisture does get inside your car, remove Battery Pack and thoroughly dry connectors; allow car to dry several hours before operating.
- Turn transmitter and car switches to "OFF" position when not in use.
- When your car runs erratically, the problem is usually the result of interference caused by high tension wires, CB radios, or other R/C cars running close by on the same frequency as yours. You may have to choose an alternative place to race.
- Anyone can learn to be a good R/C driver. It takes patience and practice.

BATTERY CARE

- **BATTERIES-** Have you fully charged the NiCd battery Pack? When purchased, it is not charged, and must be charged prior to first use.
- **BATTERY LIFE-** Even when fully charged, your R/C car requires a lot of power to operate and battery life will be approximately 25 minutes. Recharge your Battery Pack after every use.
- If Battery Pack is hot after use, wait until cooled before charging.
A full charge requires 4 hours.
- If your Battery Pack is not fully discharged (for example, you only ran your R/C vehicle for 5 minutes) a full charge will not require 4 hours. One hour should fully recharge it. Charging time will vary depending on how long a fully charged Battery Pack has been used.
- **DO NOT** attempt to disassemble the Battery Pack batteries.
- This vehicle uses a **"NICKEL-CADMIUM RECHARGEABLE BATTERY PACK. MUST BE RECYCLED OR DISPOSED OF PROPERLY."**



NOTE: If you have any questions about proper disposal of Nickel-Cadmium batteries, contact your local county office of solid waste management or other appropriate county office for information.

QUICK REFERENCE GUIDE

1. Give your 6.0V Jet Turbo Battery Pack a full 4-hour charge and then install in car.
2. Choose a site away from power lines, tall buildings and highways to minimize interference with your radio control.
3. Make sure no other nearby R/C vehicle is operating on your frequency.
4. Turn transmitter "ON". Transmitter Power Indicator light should be bright.
5. Turn car "ON".
6. Keep your car within 30 to 60 feet from you.
7. After 25 minutes of running, your car will show a noticeable decrease in power. This battery is near total power loss and needs to be recharged.
8. Turn car and transmitter "OFF".
9. Wait at least 20 minutes until battery pack cools down before recharging.