



ILLUSTRATED PARTS MANUAL

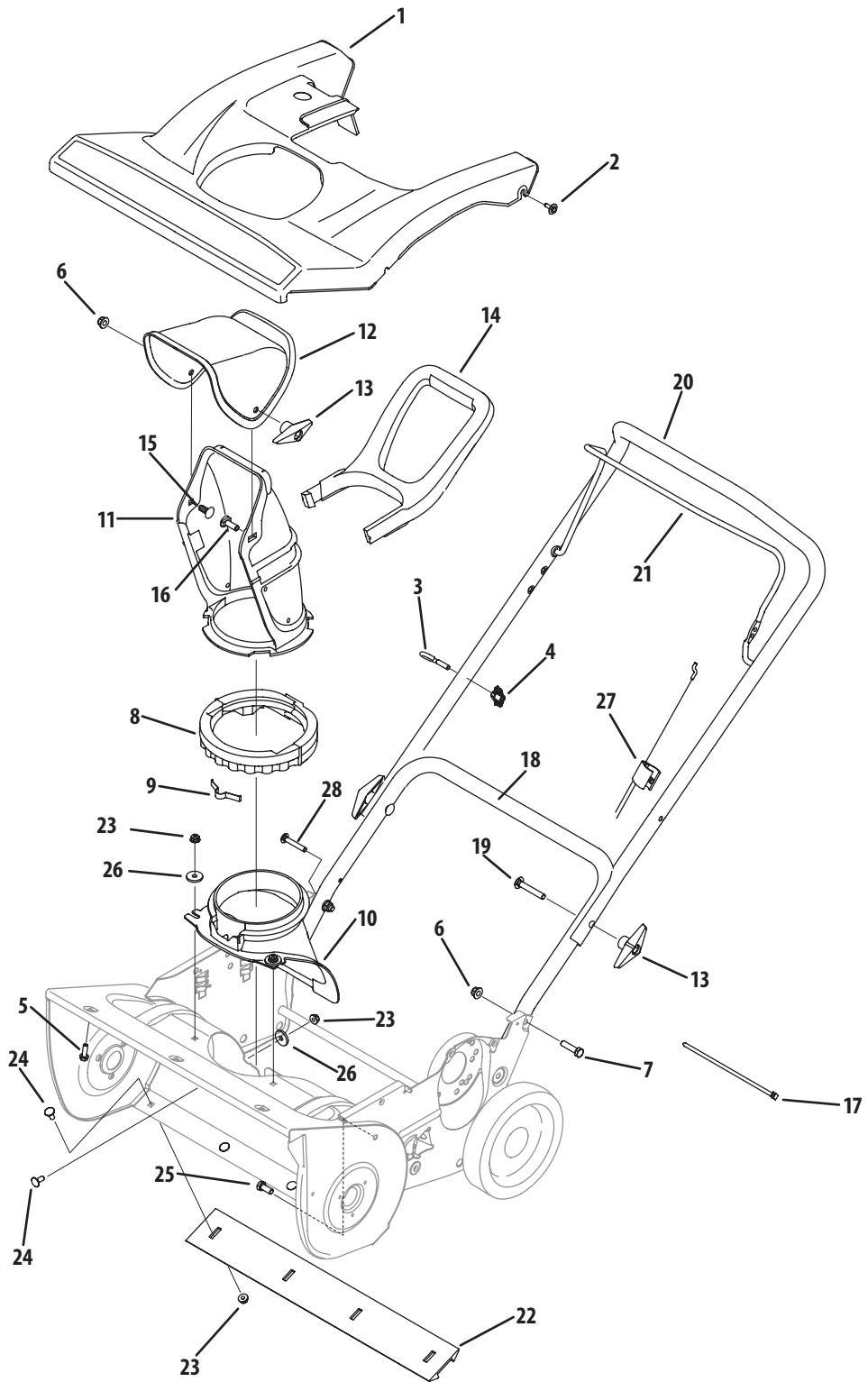


Model Squall 2100 shown

Single-Stage Snow Thrower Squall 210 & Squall 2100

TROY-BILT LLC, P.O. BOX 361131 CLEVELAND, OHIO 44136-0019

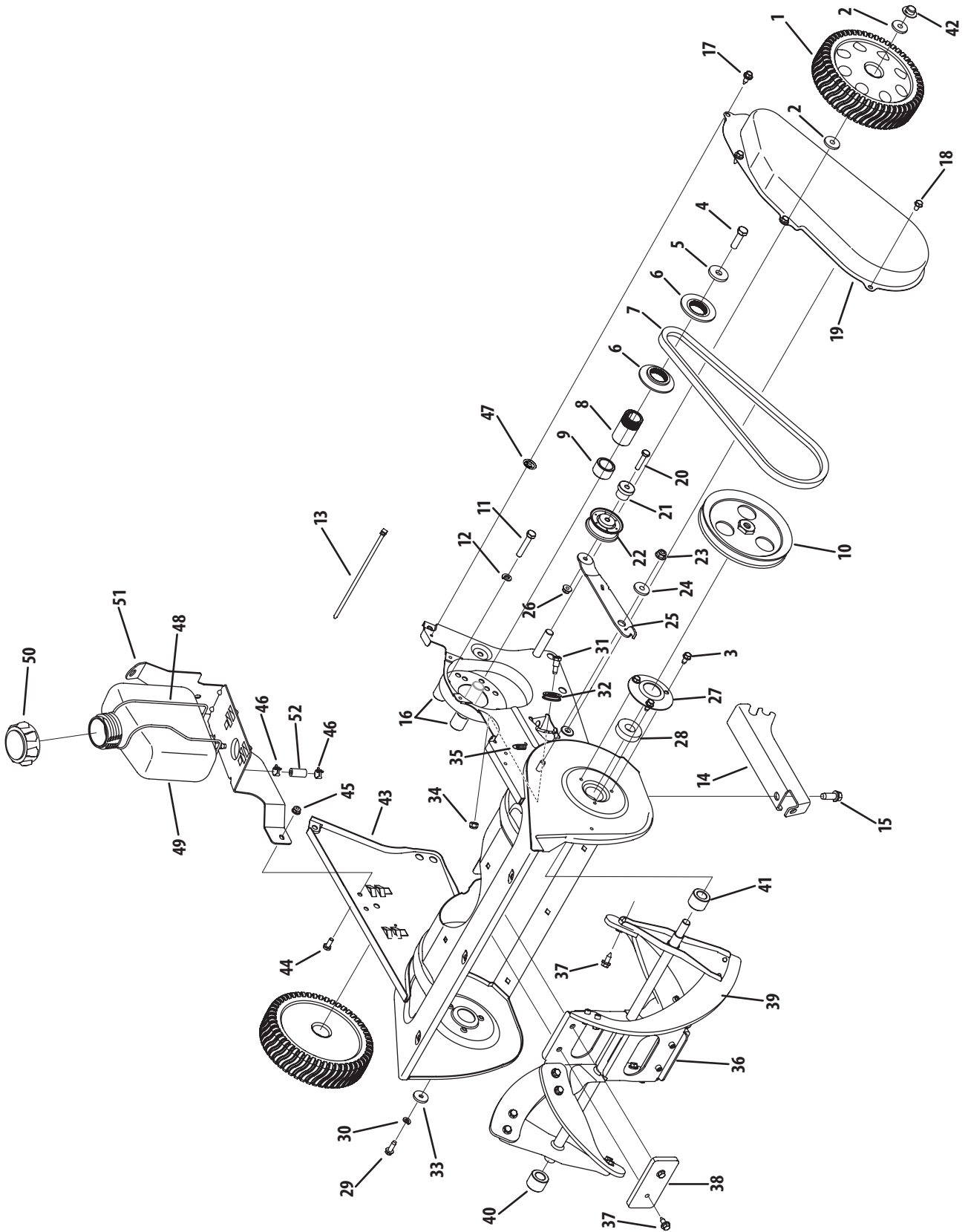
Shroud, Chute, & Handle



Ref.	Part Number	Description
1.	731-06551	Shroud
	684-04236A†	Shroud
2.	710-04669	Hex Washer Screw, 10-16 x .625
3.	710-1205	Eye Bolt, ¼-20
4.	720-0279	Knob Handle
5.	710-0895	Hex Washer Screw, ¼-15 x .750
6.	712-04063	Flange Lock Nut, ⅝-18
7.	710-1090	Hex Screw, ⅝-18 x 1.25
8.	931-04353	Lower Chute Ring
9.	932-04111	Chute Adjustment Spring
10.	931-04886	Chute Adapter
11.	931-04127	Lower Chute, 5" Diameter
12.	731-04426A	Upper Chute
13.	720-04072A	Wing Knob
14.	731-04388A	Chute Handle
15.	710-0451	Carriage Bolt, ⅝-18 x .750
16.	710-04071	Carriage Bolt, ⅝-18 x 1.00
17.	725-0157	Cable Tie, ⅜ x .05 x 7.4
18.	749-04114B	Lower Handle
19.	710-04532	Carriage Screw, ⅝-18 x 2.00
20.	749-04106A	Gullwing Handle
21.	747-04159A	Gullwing Control Bail
22.	731-1033	Shave Plate, 21"
23.	712-04064	Flange Lock Nut, ¼-20
24.	710-0134	Carriage Screw, ¼-20 x .62
25.	710-3008	Hex Screw, ⅝-18 x .75
26.	936-0176	Flat Washer, .265 x .938 x .120
27.	746-04237	Clutch Cable
28.	710-1882†	Hex Screw, ⅝-18 x 1.50

† Model 2M5

Drive System & Auger Assembly



Drive System & Auger Assembly

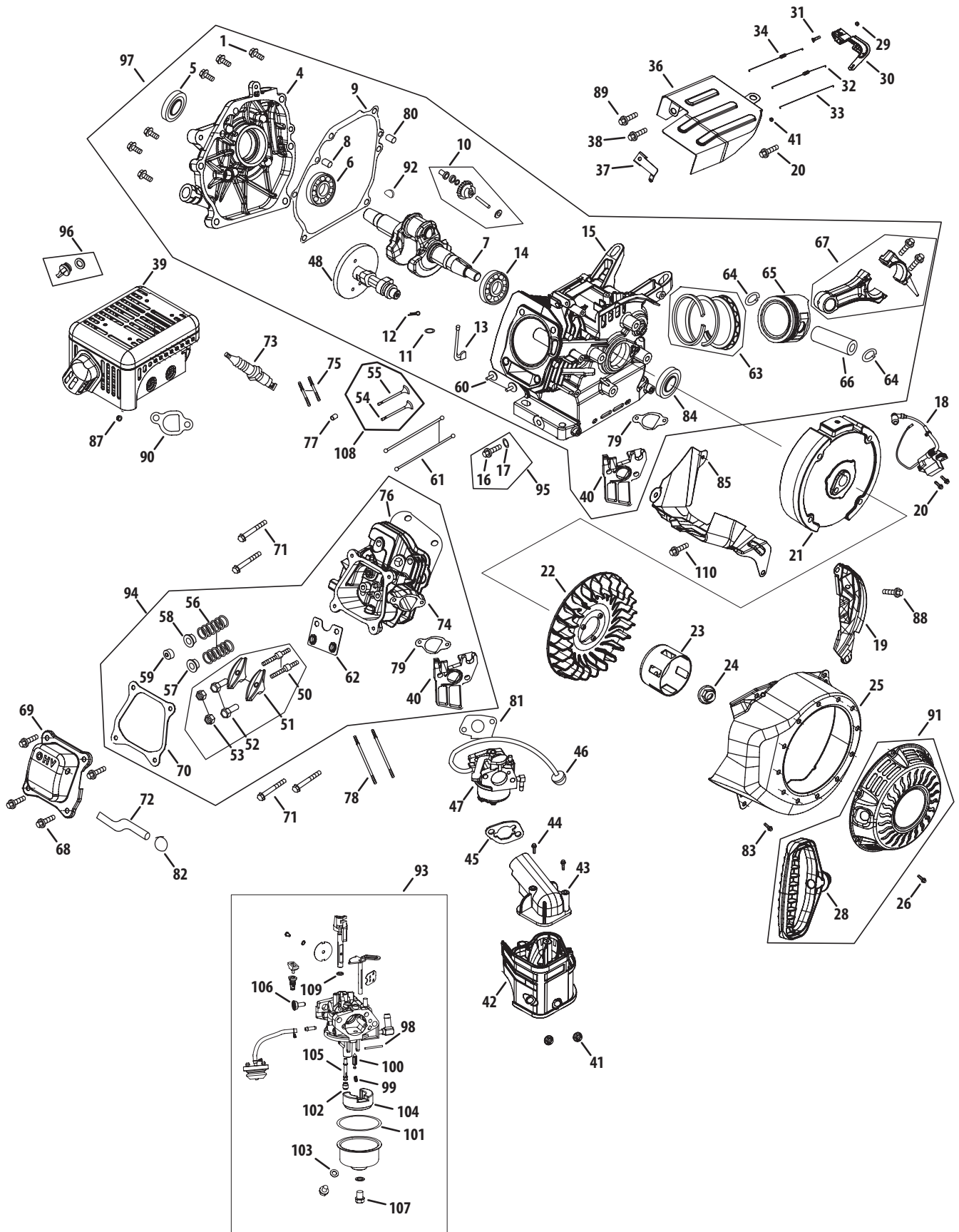
Ref.	Part Number	Description	Ref.	Part Number	Description
1.	734-04033	Wheel, 8 x 2 (Gray)	25.	790-00238A	Idler Bracket w/ Brake
	734-04063A†	Wheel, 7 x 1.5 (Gray)	26.	712-04064	Flange Lock Nut, ¼-20
2.	936-0326	Flat Washer, .510 x 1.000 x .125	27.	790-00249	Bearing Cup
3.	710-0599	Hex Screw, ¼-14 x .500	28.	741-04188A	Ball Bearing, 1.25 x 37 x 12.6301
4.	710-1044	Hex Screw, ⅜-24 x 1.50	29.	710-0642	Hex Screw, ¼-20 x .750
	710-0627†	Hex Bolt, ⅝-24 x .75	30.	936-0329	Lock Washer, ¼
5.	736-0247	Flat Washer, .406 x 1.25 x .157	31.	738-0924A	Shoulder Screw, .340 x .335 x ¼-28
	736-0371†	Bell Washer, .343 x .880 x .062	32.	756-0625	Cable Roller
6.	756-04353	Pulley Half, 4L-V x 2.30 OD	33.	936-0176	Flat Washer, .265 x .938 x .120
	956-0416B†	Pulley Half, .625 ID x .225 OD	34.	712-0896	Hex Lock Nut, ¼-28
7.	954-04204	V-Belt	35.	932-0357A	Extension Spring, .33 OD x 1.12
	954-0101A†	V-Belt	36.	684-04252	Auger Assembly, 21"
8.	750-04303††	Spacer, .875 ID x 1.185 OD		684-04227†	Auger Assembly, 21"
9.	750-05084††	Spacer, .88 ID x 1.18 OD x .74 Lg.	37.	710-05058	Hex Screw, ¼-14 x .75
10.	756-04232	V-Type Pulley, ½ x 35.7	38.	735-04033	Rubber Pad
11.	710-0409	Hex Screw, ⅝-24 x 1.75	39.	735-04032	Spiral Crescent
12.	936-0119	Lock Washer, ⅝	40.	750-04758	RH Spacer
13.	926-0154	Cable Tie, 7.5	41.	750-04757	LH Spacer
14.	790-00334	Engine Support Bracket	42.	726-0299	Push Cap, ½
	790-00216†	Engine Bracket	43.	684-04314	Auger Housing
15.	710-0623	Hex Washer Screw, ⅜-16 x .50	44.	710-0751†	Hex Bolt, ¼-20 x .620
16.	750-04297B	Spacer, .875 x .320 x 1.027	45.	712-04064†	Flange Lock Nut, ¼-20
17.	710-0896	Hex Washer Screw, ¼-14 x .625	46.	726-0205†	Hose Clamp, .490
18.	710-0653	Hex Washer Screw, ¼-20 x .375	47.	726-0233†	Push Nut, .25 ID x .50 OD
19.	790-00045C	Belt Cover	48.	747-04236†	Fuel Tank Support Wire
	684-04357†	Belt Cover	49.	951-10023†	Fuel Tank, 2 Qt.
20.	710-0106	Hex Screw, ¼-20 x 1.25	50.	751-10487†	Fuel Cap
21.	750-04571	Shoulder Spacer, .260 x .785 x .538	51.	790-00134†	Fuel Tank Bracket
22.	684-04168	Pulley Assembly, 1.917 OD	52.	751-10349†	Fuel Line Hose
23.	712-04063	Flange Lock Nut, ⅝-18	NS	929-0071A^††	Extension Cord
24.	748-0234	Shoulder Spacer			

† Model 2M5

†† Model 2P5

^ Not Shown

123cc 161-JWA Engine



123cc 161-JWA Engine

Ref. No.	Part No.	Description
1	710-04920	Flange Bolt
8	715-04092	Dowel Pin, 7 x 14
12	714-04074	Governor Arm Clip
16	710-04906	Drain Plug Bolt
17	736-04440	Drain Plug Washer
18	951-10958	Ignition Coil
19	951-11102	Flywheel Baffle
20	710-04919	Flange Bolt
21	951-10908	Flywheel
22	951-10910	Cooling Fan
23	951-10911	Starter Cup
24	712-04209	Nut
25	951-11107	Blower Housing
26	710-04914	Flange Bolt
28	731-05696	Recoil Starter Handle
29	712-04211	Nut
30	951-11106	Governor Arm Bracket
31	710-04908	Bolt
32	951-10954	Throttle Return Spring
33	951-11152	Governor Rod
34	951-10953	Governor Return Spring
36	951-11103	Cover Shield
37	951-11104	Governor Spring Bracket
38	710-04921	Flange Bolt
39	951-10901	Muffler Assembly
41	712-04212	Nut
42	951-10962	Intake Heater Box Base
43	951-10961	Intake Heater Box
44	710-04913	Bolt
46	951-10639	Primer
47	951-10956	Carburetor Assembly
50	710-04902	Pivot Bolt
52	751-11123	Valve Adjusting Nut
53	751-11124	Pivot Locking Nut
61	951-10913	Push Rod Kit
68	710-04916	Bolt
69	951-11054A	Valve Cover
71	710-04922	Bolt
72	731-07059	Breather Hose
73	951-10292	Spark Plug

Ref. No.	Part No.	Description
75	951-10657	Muffler Stud Assembly
77	715-04090	Dowel Pin, 10 x 16
78	710-04909	Carburetor Studs
80	715-04089	Dowel Pin, 9 x 14
82	726-04101	Hose Clamp
83	710-04916	Bolt
85	951-11105	Cylinder Baffle
87	712-04210	Nut
88	710-04918	Flange Bolt
90	951-10959	Muffler Gasket
91	951-10955	Recoil Starter Assembly
92	951-10307	Flywheel Key
96	951-10957	Dipstick Assembly
108	951-10912	Valve Kit
110	710-04928	Bolt
NS	731-05632	Ignition Key
—	951-11095	Crankcase Cover Kit
4	—	Crankcase Cover
9	—	Case Cover Gasket
96	951-10957	Dipstick Assembly
—	951-10951A	Gasket Kit - Complete
5	—	Oil Seal
9	—	Crankcase Cover Gasket
11	—	O-ring, 5.2 x 1.9
45	—	Carburetor Gasket
70	—	Head Cover Gasket
76	—	Cylinder Head Gasket
79	—	Carburetor Insulator Gasket
81	—	Packing
84	—	Oil Seal, 22 x 35 x 7
90	951-10959	Muffler Gasket
95	951-10370	Oil Drain Plug and Washer Assembly
96	951-10957	Dipstick Assembly
—	951-10952A	Gasket Kit - External
70	—	Head Cover Gasket
79	—	Carburetor Insulator Gasket
81	—	Packing
90	951-10959	Muffler Gasket
95	951-10370	Oil Drain Plug and Washer Assembly
96	951-10957	Dipstick Assembly

123cc 161-JWA Engine

Ref. No.	Part No.	Description
—	951-11097	Crankcase Kit
14	—	Bearing
15	—	Crankcase Complete
84	—	Oil Seal
—	951-11096	Crankshaft Kit
6	—	Bearing
7	—	Crankshaft Assembly
14	—	Bearing
92	951-10307	Flywheel Key
93	951-10948	Carburetor Kit - Major
98	—	Float Pin
99	—	Needle Valve Spring
100	—	Needle Valve
101	—	Bowl Gasket
102	—	Main Jet
103	—	Fuel Drain Plug Gasket
104	—	Float
105	—	Main Nozzle
106	—	Idle Speed Adjusting Screw
107	—	O-Ring- Main Cup Bolt
109	—	Throttle Shaft Dust Seal
94	951-10949A	Cylinder Head Assembly
40	—	Carburetor Insulator Plate
50	710-04902	Pivot Bolt
51	—	Rocker Arm
52	751-11123	Valve Adjusting Nut
53	751-11124	Pivot Locking Nut
56	—	Valve Spring
57	—	Intake Valve Spring Seat
58	—	Exhaust Valve Spring Seat
59	—	Exhaust Valve Adjuster
62	—	Push Rod Guide Plate
70	—	Head Cover Gasket
74	—	Cylinder Head - Complete
76	—	Cylinder Head Gasket
77	715-04090	Dowel Pin, 10 x 16
79	—	Carburetor Insulator Gasket
90	951-10959	Muffler Gasket
108	951-10912	Valve Kit

Ref. No.	Part No.	Description
—	951-11063A	Valve Cover Kit
69	951-11054A	Valve Cover
70	—	Valve Cover Gasket
95	951-10370	Oil Drain Plug and Washer Assembly
16	710-04906	Oil Drain Plug
17	736-04440	Oil Drain Plug Washer
97	951-10950A	Short Block Assembly
1	710-04920	Flange Bolt
4	—	Crankcase Cover
5	—	Oil Seal
6	—	Bearing
7	—	Crankshaft Assembly
8	715-04092	Dowel Pin, 7 x 14
9	—	Case Cover Gasket
10	—	Governor Assembly
11	—	O-ring Gov. Shaft
12	714-04074	Pin Lock
13	—	Governor Arm Shaft
14	—	Bearing
15	—	Crankcase Complete
16	710-04906	Oil Drain Plug
17	736-04440	Oil Drain Plug Washer
40	—	Carburetor Insulator Plate
45	—	Heat Pipe Intake Gasket
48	—	Camshaft Assembly
60	—	Valve Lifter
61	951-10913	Push Rod Kit
63	—	Piston Ring Set - Oil
64	—	Piston Pin Clip
65	—	Piston
66	—	Piston Pin
67	—	Connecting Rod Complete
70	—	Head Cover Gasket
76	—	Cylinder Head Gasket
79	—	Carburetor Insulator Plate Gasket
80	715-04089	Dowel Pin
84	—	Oil Seal
90	951-10959	Muffler Gasket
92	951-10307	Flywheel Key
96	951-10957	Dipstick Assembly

Ref. No.	Part No.	Description	Ref. No.	Part No.	Description
1	710-04968	Bolt	70	951-11371	Crankcase Cover Gasket
2	951-11054	Valve Cover	72	710-04932	Bolt
3	731-07059	Breather Hose	75	951-11368	Oil Seal
4	726-04101	Hose Clamp	78	736-04440	Washer
7	751-11124	Pivot Locking Nut	80	951-11370	Oil Seal
8	751-11123	Valve Adjusting Nut	81	951-10646	Ignition Coil
10	710-04902	Pivot Bolt	82	951-11110	Air Flow Shield
15	710-04933	Bolt	83	951-10650	Fuel Line Kit (incl. clmps and fuel line)
18	951-10292	Spark Plug	84	951-11731	Hose Clamp
19	951-11282	Muffler Assembly	85	951-10641	Oil Drain Ass'y, includes 77, 78, 79
20	710-05001	Stud	86	951-10805	Flywheel
21	951-11289	Muffler Gasket	87	951-10909	Cooling Fan
22	712-04214	Nut	88	951-10911	Starter Cup
23	710-04914	Bolt	89	712-04209	Nut
24	951-11111	Exhaust Pipe Shield	90	951-10647	Valve Kit (incl. intk and exhst valve)
25	710-04940	Bolt	92	951-10663A	Blower Housing
26	710-04915	Bolt	93	736-04455	Washer
27	951-10642A	Muffler Shroud	94	710-04974	Bolt
28	710-04939	Stud, M6 x117	95	951-10658	Recoil Starter Assembly
29	710-04910	Stud, M6 x 105	96	731-05632	Key
33	951-10638A	Carburetor Assembly	97	951-10758	Throttle Control Assembly
35	951-11112	Choke Control Bracket	98	710-05103	Bolt
36	951-10634	Engine Shroud	99	951-11108	Governor Shield
37	712-04213	Nut	100	751-11935	Governor Spring
38	951-11284	Choke Knob	101	951-10664	Throttle Return Spring
39	951-10757	Throttle Control Knob	102	951-10665	Governor Rod
40	951-10637	Ignition Switch	104	712-04212	Nut
43	951-10640	Choke Push Rod	105	710-04908	Bolt
44	951-10635	Heater Box	109	951-10662	Engine/Dipstick Cover
45	710-04919	Bolt	110	710-04905	Bolt
47	951-10648	Push Rod Kit (incl. intk and exhst rod)	113	751-11913	Dipstick Tube
49	715-04090	Dowel Pin	115	751-11912	Dipstick
57	951-11113	Air Shield	117	951-10649	Fuel Cap Assembly
59	951-11356	Governor Arm Shaft	118	951-11933	Fuel Level Indicator
60	736-04461	Washer	119	951-10653B	Fuel Tank
62	714-04074	Cotter Pin	121	951-11114	Switch Housing Mounting Bracket
64	951-11369	Radial Ball Bearing	122	751-11934	O-Ring
65	951-10307	Flywheel Key	123	710-04965	Bolt, M4 x 55
68	715-04092	Dowel Pin, 7 x 14	124	710-04935	Bolt, M4 x 60
69	715-04096	Dowel Pin, 9 x 14	125	710-05182	Bolt

208 cc 270-SU Engine

Ref. No.	Part No.	Description
126	715-04088	Dowel Pin
127	951-10645A	Electric Starter
128	710-04979	Bolt
129	951-11109	Blower Housing Shield
130	951-10639A	Primer
131	710-04945	Bolt
132	710-04938	Drain Bolt
143	731-05696	Starter Handle
155	951-11106	Governor Arm Bracket
156	951-11903	O-Ring
157	951-11680	Wire Clip
—	951-10651	Fuel Tank Nipple (Not Shown)
—	952Z270-SU	Engine, Complete
33	951-10638A	Carburetor Assembly
130	951-10639A	Primer
131	710-04945	Bolt
132	710-04938	Drain Bolt
133	—	Gasket, Throttle Plate
134	—	Float Pin
135	—	Emulsion Tube
136	—	Needle Valve
137	—	Main Jet
138	—	Needle Valve Spring
139	—	Float
140	951-11589	Fuel Bowl Gasket
141	951-11349	Fuel Drain Plug Gasket
142	951-11348	Fuel Bowl Gasket
146	—	Choke Shaft
147	—	Choke Plate
148	—	Throttle Shaft
149	—	Throttle Plate
150	—	Screw, M3x5
151	—	Lock Washer
152	—	Idle Jet Assembly
153	—	Idle Speed Adjusting Screw
154	—	Fuel Bowl
158	751-11906	Hose Clamp
159	751-12006	Primer Hose

Ref. No.	Part No.	Description
—	951-11060A	Short Block Assembly (Not Shown)
5	951-11565	Head Cover Gasket
21	951-11289	Muffler Gasket
30	951-11567	Carburetor Insulator Gasket
31	751-11896	Carburetor Insulator Plate
46	951-11572	Cylinder Head Gasket
48	751-11899	Tappet
49	715-04090	Dowel Pin
52	951-11253	Piston Ring Set
53	951-11632	Piston Pin Snap Ring
54	751-12007	Piston
55	951-11633	Piston Pin
58	951-11573	Connecting Rod Assembly
59	951-11356	Governor Arm Shaft
60	736-04461	Washer
61	751-11902	Governor Seal
62	714-04074	Cotter Pin
63	951-11575	Camshaft Assembly
64	951-11369	Radial Ball Bearing
65	951-10307	Flywheel Key
66	—	Crankshaft Assembly
67	951-11576	Governor Gear/Shaft Assembly
68	715-04092	Dowel Pin, 7 x 14
69	715-04096	Dowel Pin, 9 x 14
70	951-11371	Crankcase Cover Gasket
71	—	Case Cover
72	710-04932	Bolt
73	951-11577	O-Ring
74	—	Oil Fill Plug
75	951-11368	Oil Seal
76	—	Crankcase
77	951-11350	Oil Drain Pipe
78	736-04440	Washer
79	710-04906	Oil Drain Plug
80	951-11370	Oil Seal
145	951-10657	Muffler Stud Assembly
20	710-05001	Stud

Ref. No.	Part No.	Description	Ref. No.	Part No.	Description
—	951-11021	Carburetor Kit, Major (Not Shown)	—	951-10668A	Cylinder Head Assembly (Not Shown)
133	—	Gasket, Throttle Plate	5	951-11565	Head Cover Gasket
134	—	Float Pin	6	751-12000	Intake Valve Spring Seat
135	—	Emulsion Tube	7	751-11124	Pivot Locking Nut
136	—	Needle Valve	8	751-11123	Valve Adjusting Nut
137	—	Main Jet	9	751-11893	Rocker Arm
138	—	Needle Valve Spring	10	710-04902	Pivot Bolt
139	—	Float	11	751-12002	Exhaust Valve Adjuster
140	—	Fuel Bowl Gasket	12	751-12003	Exhaust Valve Spring Seat
141	—	Fuel Drain Plug Gasket	13	751-12004	Valve Spring
142	—	Fuel Bowl Gasket	14	751-11894	Intake Valve Seal
—	951-10661B	Gasket Kit, External (Not Shown)	16	751-11895	Push Rod Guide Plate
5	951-11565	Head Cover Gasket	17	—	Cylinder Head - Complete
21	951-11289	Muffler Gasket	21	951-11289	Muffler Gasket
30	951-11567	Carburetor Insulator Gasket	30	951-11567	Carburetor Insulator Gasket
31	751-11896	Carburetor Insulator Plate	31	751-11896	Carburetor Insulator Plate
32	751-11569A	Carburetor Gasket	46	951-11572	Cylinder Head Gasket
34	751-11897	Carburetor Gasket Plate	90	951-10647	Valve Kit
78	736-04440	Washer	—	951-11059A	Gasket Kit, Complete (Not Shown)
—	951-11246	Crankcase Cover Kit (Not Shown)	5	951-11565	Head Cover Gasket
64	951-11369	Radial Ball Bearing	21	951-11289	Muffler Gasket
70	951-11371	Crankcase Cover Gasket	30	951-11567	Carburetor Insulator Gasket
71	—	Case Cover	31	751-11896	Carburetor Insulator Plate
72	—	Cover Bolts	32	751-11569A	Carburetor Gasket
73	—	O-Ring	34	751-11897	Carburetor Gasket Plate
74	—	Oil Fill Plug	46	951-11572	Cylinder Head Gasket
75	951-11368	Oil Seal	60	736-04461	Washer
—	951-11247	Crankshaft Kit (Not Shown)	61	751-11902	Governor Seal
64	951-11369	Radial Ball Bearing	62	714-04074	Cotter Pin
65	951-10307	Flywheel Key	70	951-11371	Crankcase Cover Gasket
66	—	Crankshaft Assembly	75	951-11368	Oil Seal
75	951-11368	Oil Seal	78	736-04440	Washer
80	951-11370	Oil Seal	80	951-11370	Oil Seal
—	951-11249	Crankcase Kit (Not Shown)	—	951-11063	Valve Cover Kit (Not Shown)
61	751-11902	Governor Seal	2	951-11054	Valve Cover
64	951-11369	Radial Ball Bearing	5	951-11565	Head Cover Gasket
70	951-11371	Crankcase Gasket	56	951-11283	Oil Fill Plug Assembly
76	—	Crankcase	73	951-11577	O-Ring
80	951-11370	Oil Seal	74	—	Oil Fill Plug