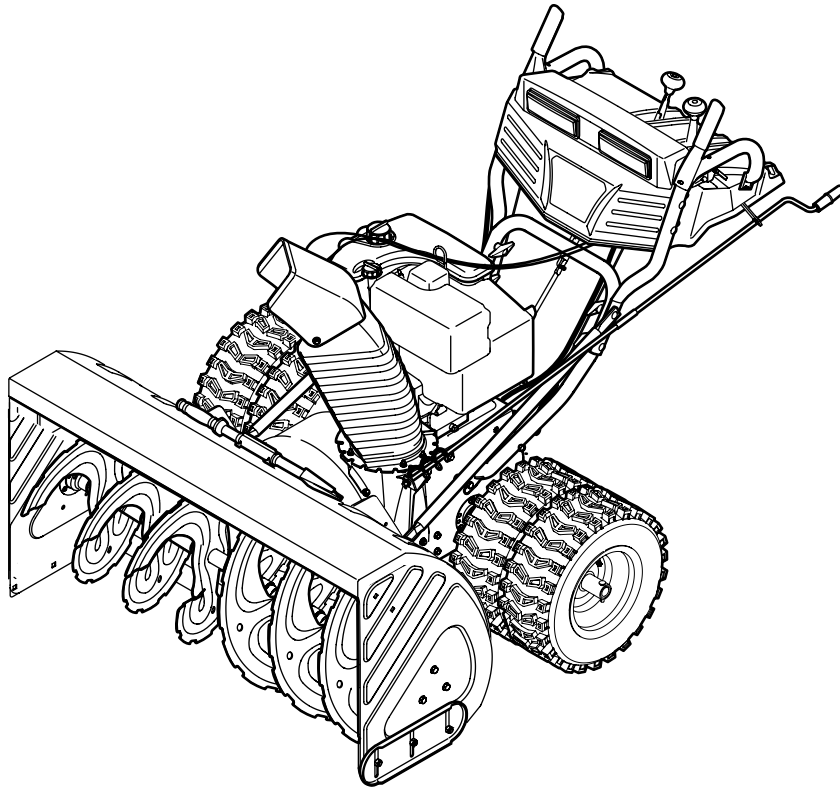




# ILLUSTRATED PARTS MANUAL



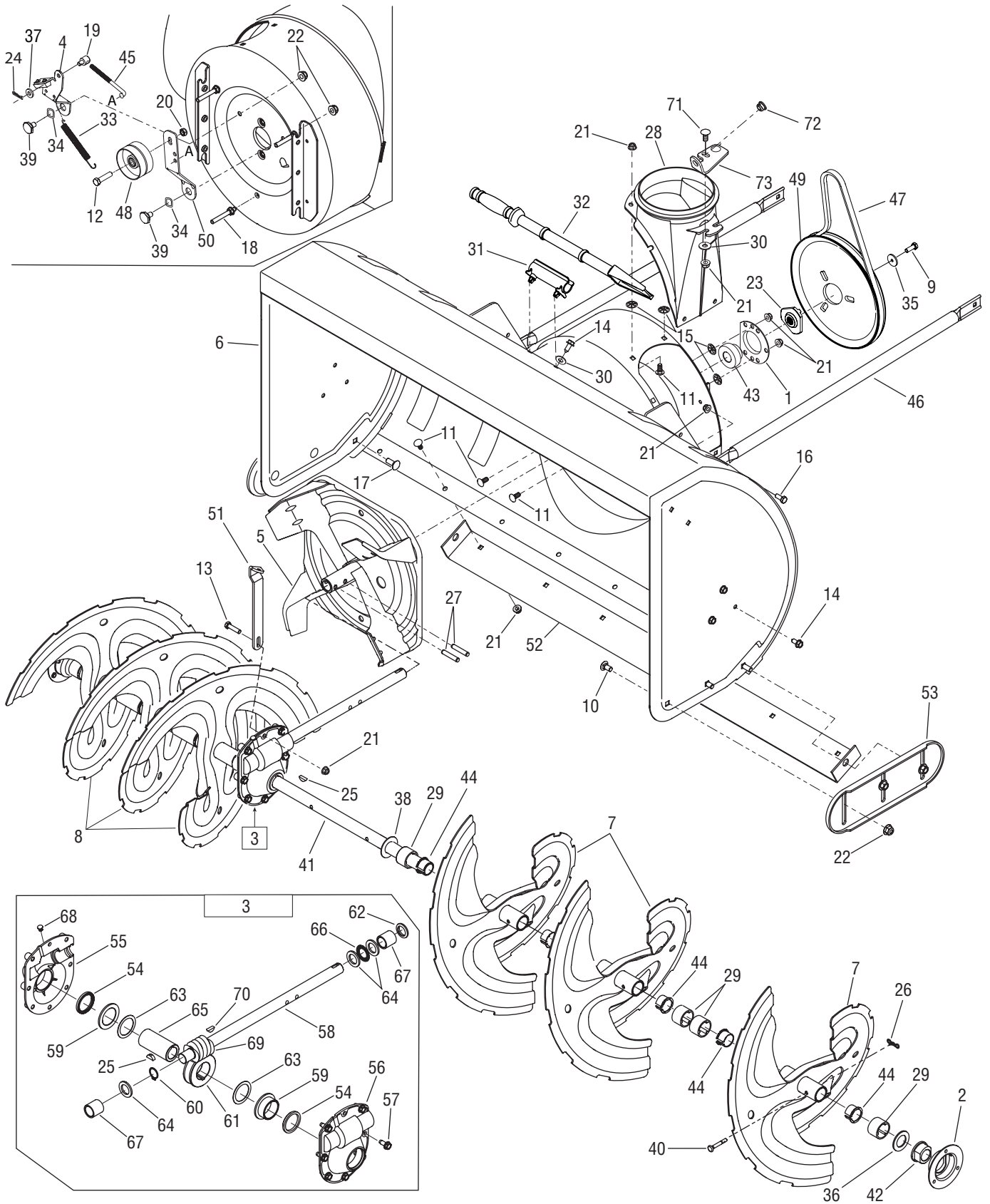
## Two Stage Snow Thrower — Storm 1345

---

TROY-BILT LLC, P.O. BOX 361131 CLEVELAND, OHIO 44136-0019

---

# Augers, Auger Housing, and Gearbox

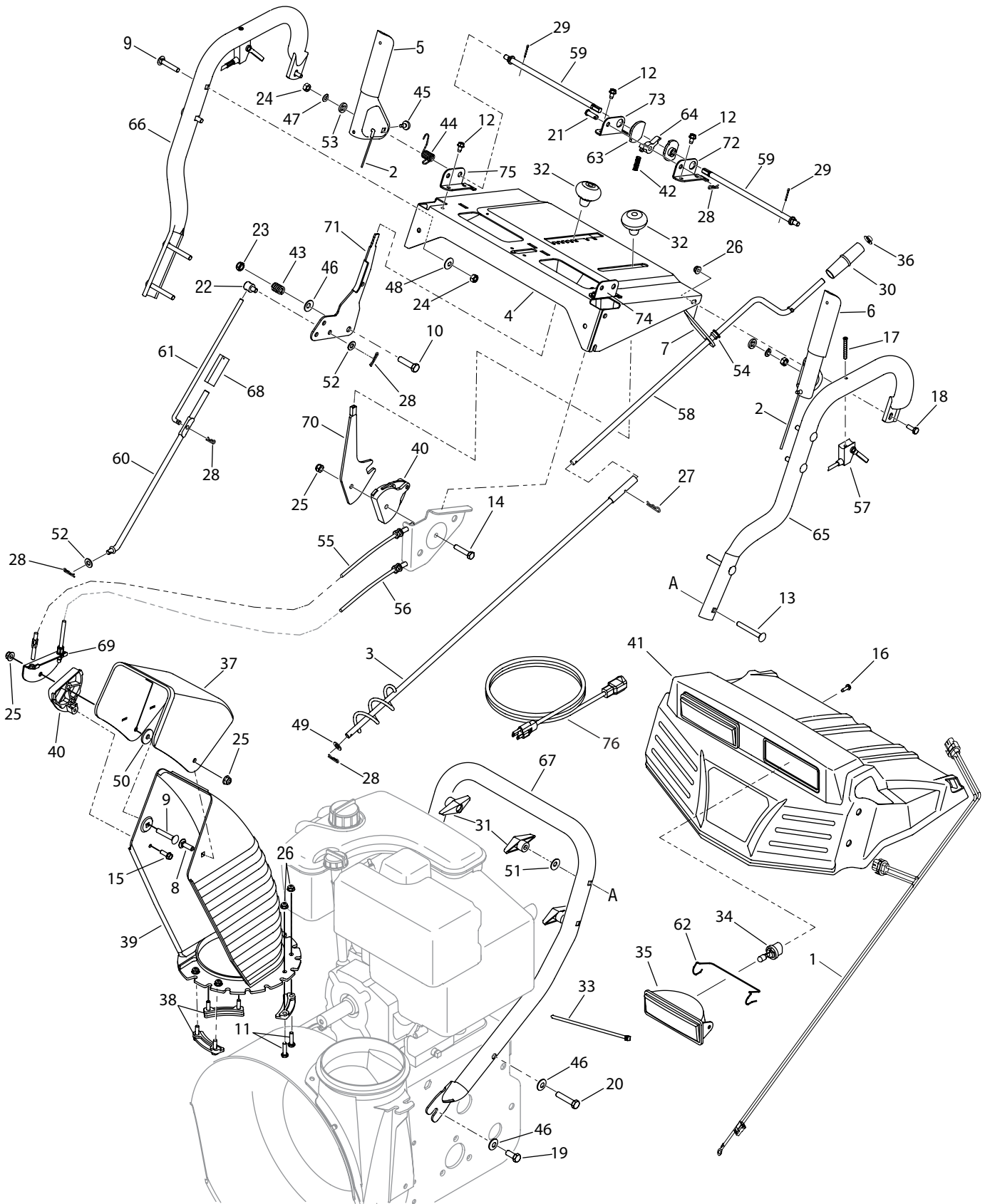


## Augers, Auger Housing, and Gearbox

Ref.	Part Number	Description
1	05244B	Housing, Bearing
2	05845C	Housing, Bearing
3	618-04515	Gear Box Assembly
4	618-0281A	Bracket Ass'y, Auger Brake
5	684-0090B	Impellar , 16"
6	684-04223 777S32066 777D11472 777D11473	Housing, Auger - 45" Graphic, Danger Graphic, Troy Bilt Graphic, 1345 - 45"
7	684-04151	Spiral Ass'y, LH
8	684-04152	Spiral Ass'y, RH
9	710-1245B	Screw, Hex Cap Lock, 5/16-24 x .875 Gr8
10	710-0389	Screw, Carriage, 3/8-16 x .75
11	710-0451	Screw, Carr, 5/16-18 x .75
12	710-0459A	Screw, Hex Cap, 3/8-24 x 1.5
13	710-0376	Screw, Hex Cap, 5/16-18 x 1.0 Gr5
14	710-04484	Screw, 5/16-18 x .750
15	726-04012	Nut, Push
16	710-3008	Screw, 5/16-18 x .75 GR5
17	710-03168	Screw, Carr, 3/8-16 x 1.0
18	710-04606	Screw w/Stud, 5/16-18 x .4300
19	711-0677	Ferrule
20	712-0116	Nut, Hex Lock, 3/8-24
21	712-04063	Nut, Flng Lk, 5/16-18
22	712-04065	Nut, Flg Lk, 3/8-16
23	748-04067A	Adapter, Pulley w/Pins
24	714-0104	Pin, Internal Cotter
25	714-0135	Key, Woodruff, 1/4 x 3/4
26	714-04040	Pin, Bowtie Cotter
27	715-0118	Pin, Spirol, 5/16 x 1.75
28	731-1696B	Adapter, Chute, 6"
29	731-05163	Spacer, 1.0 x 1.5 x 1.0Lg
30	736-0159	Washer, Flat, .349 x .879 .063
31	731-2635	Clip, Mounting
32	731-2643	Tool, Cleanout
33	732-0858	Spring, Extension
34	736-0174	Washer, Wave, .625 x .885 x .015
35	736-0505	Washer, Flat, .34 x 1.5 x .15 HT

Ref.	Part Number	Description
36	750-04020	Spacer, 1.004 x 1.375 x .25
37	736-3008	Washer, .344 x .75 x .12
38	736-3046A	Washer, 1.01 x 1.86 x .06
39	738-0281	Screw, Shoulder, .625 x .17
40	738-04155	Pin, Shear, .25 x 1.75
41	738-04159	Shaft, Spiral, — 45"
42	741-0192	Bearing, Flange w/Flats
43	741-04024	Bearing, Self Aligning
44	741-0494	Bushing, Flange,
45	747-0980A	Rod, Auger Idler
46	749-1117	Tube, Support
47	754-0222A	Belt, V, 1/2 x 44
48	756-0178	Pulley, Flat Idler, 2.75 OD
49	756-04244A	Pulley, Auger Drive, 10.0
50	784-0385B	Bracket, Auger Idler
51	790-00264A	Bracket, Gear Box Support
52	790-00280	Plate, Shave, — 45"
53	784-5697	Shoe, Skid
54	721-0146	Oil Seal
55	618-0246	Hsg, Ass'y, Auger, RH (Incl. Ref. # 54 & 59)
56	618-0247	Hsg, Ass'y, Auger, LH (Incl. Ref. # 54 & 59)
57	710-1260A	Scr, LD, 5/16-18 x .750
58	711-04714	Shf, Drive, Auger
59	741-0670	Flange Bearing
60	716-0111	Ext, Ret, Ring
61	717-1425	Gear, Worm, LH
62	721-0145	Seal, Oil
63	736-0266	Wash, Flat, 1.52ID x 2.0 OD
64	736-0291	Wash, Flat, .88 ID x .38 OD
65	738-0275	Shf, Gear, Worm
66	741-0184	Bearing, Thrust
67	741-0217	Sleeve
68	721-0325	Plug
69	717-0299	Gear, Worn
70	714-0126	Key, Hi Pro, 3/16 x 3/4
71	710-0276	Screw, Carriage, 5/16-18 x 1.0
72	741-0475	Bushing, Plastic, .38 ID
73	784-5123	Bracket, Chute Crank

# Handles, Handle Panel & Discharge Chute

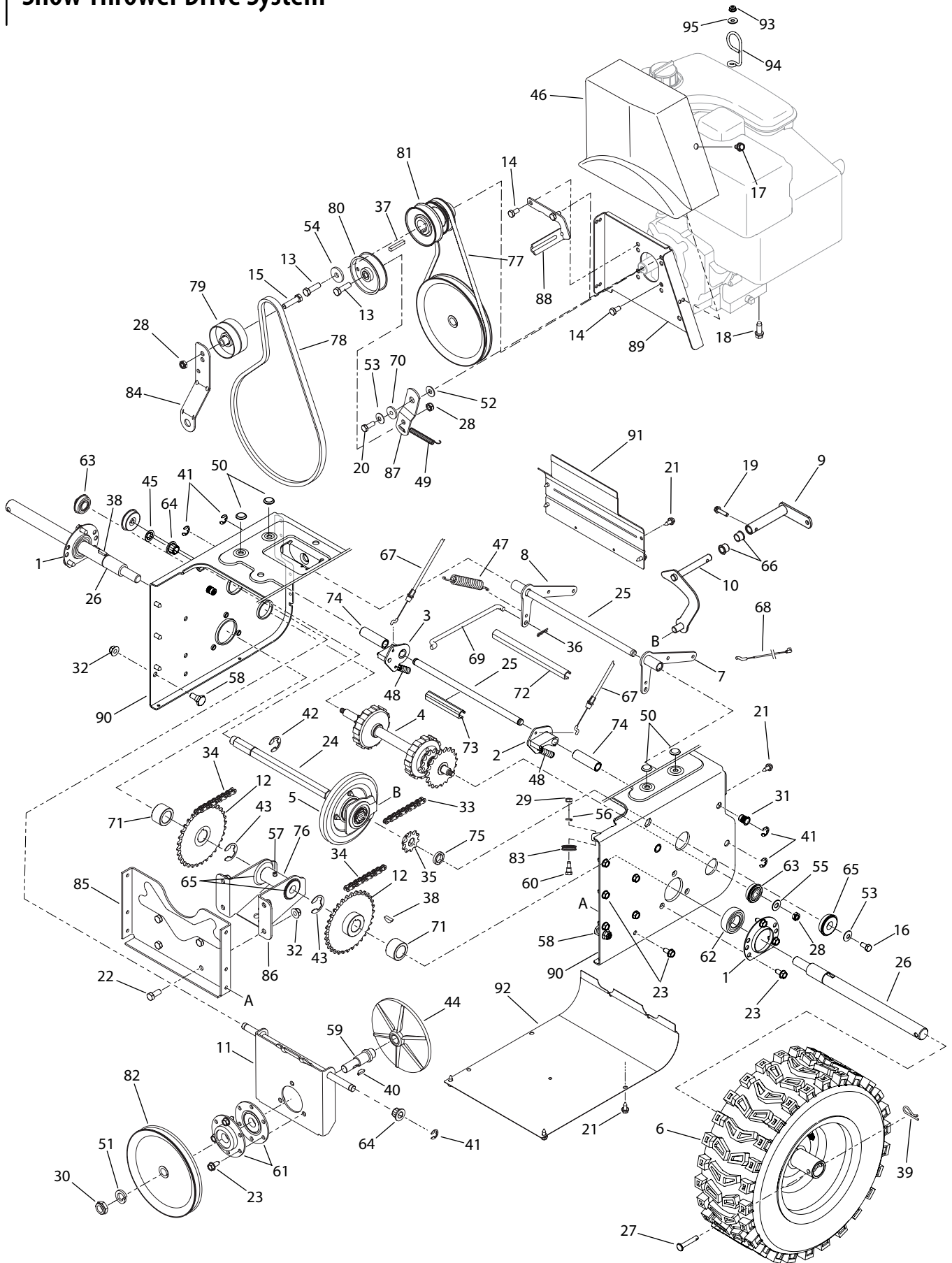


## Handles, Handle Panel & Discharge Chute

Ref.	Part Number	Description
1	629-04010A	Harness, Light
2	646-0012	Cable Ass'y, Auger/Drive
3	684-0053B	Crank, Chute, 26.0
4	684-0102A	Panel, Handle
5	705-5218 777I22363	Handle, Engage, RH Graphic, Drive/Auger Lock
6	705-5219	Handle, Engage, LH
7	705-5266	Bracket, Chute Crank
8	710-0276	Screw, Carr, 5/16-18 x 1.0
9	710-0458	Screw, Carr., 5/16-18 x 1.75
10	710-0459A	Screw, Hex, 3/8-24 x 1.5
11	710-0597	Screw, Hex, 1/4-20 x 1.0
12	710-0599	Screw, Hex, 1/4-20 x .5
13	710-0572	Screw, Carr., 5/16-18 x 2.5
14	710-0805	Screw, Hex, 5/16-18 x 1.5
15	710-0895	Screw, Hx, 1/4-15 x .75
16	710-1003	Screw, #10-16 x .625
17	710-1625	Screw, #10-24 x 1.75
18	710-3015	Screw, Hex, 1/4-20 x .75
19	710-3118	Screw, Hex Lock, 3/8-16 x 1.0 Gr5
20	710-04682	Screw, Hex Lock, 3/8-16 x 2.0 Gr5
21	711-0653	Pin, Clevis, .312 x 1.0
22	711-0677	Ferrule, 5/16-18 x .312 Dia
23	712-0116	Nut, Insert, 3/8-24
24	712-3068	Nut, Hex Patch Lock, 5/16-18 Gr5
25	712-04063	Nut, Flnge Lk, 5/16-18
26	712-04064	Nut, Hex Flange, 1/4-20
27	714-0101	Pin, Internal Cotter
28	714-0104	Pin, Internal Cotter
29	714-0507	Pin, Cotter, 3/32 x .75
30	720-0201A	Knob, Crank
31	720-0294	Knob, Wing Nut, 5/16-18
32	720-04039	Knob, Shift
33	725-0157	Tie, Cable
34	725-1658	Lamp, Halogen, #890-12V-27W
35	725-1672	Housing, Lamp w/Lens
36	726-0100	Cap, Push, 3/8
37	731-0846C 777S32280	Chute, Upper, 6.0 Graphic, Danger
38	731-0851A	Flange Keeper, Chute
39	731-0903D	Chute, Lower
40	731-1313C	Cbl. Guide, Chute Tilt

Ref.	Part Number	Description
41	731-04069 777D10488 777D11476 777I22553 777I22554 777I22556	Panel, Handle Graphic, Troy Bilt Graphic, Troy Bilt Graphic, Augur Information Graphic, Shift Information Graphic, Starting/Drive Control
42	732-0145	Spring, Compression
43	732-0193	Spring, Compression
44	732-0746	Spring, Torsion
45	735-0199A	Bumper, Rubber
46	736-0105	Washer, Bell, .375 x .87 x .063
47	736-0119	Washer, Lock, 5/16
48	736-0159	Washer, Flat, .349 x .879 x .063
49	736-0185	Washer, Fl., .375 x .738 x .063
50	736-0231	Washer, Fl, .344 x 1.125 x .12
51	736-0242	Washer, Bell, .34 x .872 x .06
52	736-0275	Washer, Fl, .344 x .688 x .065
53	736-0509	Washer, Fl, .35 Sq x .72 x .134
54	741-0475	Bushing, Plastic, .38 ID
55	746-0902	Cable, Chute Control, 66"
56	746-0903	Cable, Chute Control w/Clip,
57	746-0950A	Cable Assembly, Trigger
58	747-0624	Rod, Chute Crank
59	747-0877	Rod, Cam
60	747-0983A	Rod, Lower Shift
61	747-0997	Rod, Upper Shift
62	747-1136	Retainer, Headlight
63	748-0362	Cam, Handle Lock
64	748-0363	Pawl, Handle Lock
65	749-0989A	Handle, Upper LH
66	749-0990A	Handle, Upper RH
67	749-0991	Handle, Lower
68	750-0963	Connector, Shift Rod
69	784-5594	Bracket, Cable
70	784-5604A	Handle, Chute Tilt
71	784-5619B	Handle, Shift
72	784-5679	Bracket., Handle Support - LH
73	784-5680	Bracket,
74	784-5681	Brkt., Handle Support - LH
75	784-5682	Brkt., Handle Support - RH
76	629-0071	Extension Cord, 110V

# Snow Thrower Drive System



## Snow Thrower Drive System

Ref.	Part Number	Description
1	05244B	Housing, Bearing
2	618-0279	Dogg, Steering Drive, LH
3	618-0280	Dogg, Steering Drive, RH
4	618-0282E	Shaft Assembly, Steering
5	618-04178 718-04034 710-0896	Assembly, Friction Wheel Wheel, Friction, Bonded Screw, Hex Wash
6	634-0225A 634-0226A 734-2031 734-0255 741-0246A	Wheel Ass'y. - LH Wheel Ass'y. - RH Tire Valve Bearing
7	684-0118B	Bracket, Auger Actuator
8	684-0119B	Bracket, Drive Actuator
9	684-0161	Arm, Shift
10	684-04103	Rod Assembly, Shift
11	684-04212	Brkt, Friction Drive Suprt.
12	684-04235	Sprocket, 32T
13	710-0191	Screw, Hex Cap, 3/8-24 x 1.25 Gr8
14	710-0237	Screw, Hex Cap, 5/16-24 x .625 Gr5
15	710-0459A	Screw, 3/8-24 x 1.50
16	710-0538	Screw, Hex Cap Lock, 5/16-18 x .625 Gr5
17	710-0607	Screw, Hex Tapp, 5/16-18 x .5
18	710-0654A	Screw, Hex Sems Tapp, 3/8-16 x 1.0
19	710-0788	Screw, Hex, 1/4-20 x 1.00
20	710-1245B	Screw, Hex Lock, 5/16-24 x .875 Gr8
21	710-1652	Screw, Hex Wash.
22	710-3001	Screw, Hex Cap, 3/8-16
23	710-04484	TT Screw, 5/16-18 x .750
24	711-04279	Shaft, Hex Drive
25	711-04605	Shaft, Actuator
26	711-04606	Axle, Wheel
27	711-04615	Pin, Clevis
28	712-0116	Nut, Hex Insert Jam Lock
29	712-0138	Nut, Hex, 1/4-28 GR5
30	712-0413	Nut, Hx Insert Jam Lk
31	712-0717	Nut, Insert 3/8-16
32	712-04065	Nut, Hx Flnge Insert Lk
33	713-0284	Chain, Endless, #41 x 36L
34	713-0286	Chain, #420 x 40L
35	713-04015	Sprocket, #41 x 10T
36	714-0104	Pin, Internal Cotter
37	714-0118	Key, Square, 1/4 x 1.5
38	714-0135	Key, Woodruff
39	714-0149B	Pin, Internal Cotter
40	714-0388	Key, Hi-Pro, 3/16 x 5/8
41	716-0104	E-Ring
42	716-0136	Ring, Retaining
43	716-04048	Ring, Retainer
44	717-0302	Plate, Drive
45	726-0221	Nut, Speed

Ref.	Part Number	Description
46	731-2531	Cover, Belt
47	732-0121	Spring, Extension
48	732-0209	Spring, Extension
49	732-0303	Spring, Extension, .375 x 3.18
50	735-04099	Plug
51	736-0158	Washer, Lock, 5/8
52	736-0159	Washer, Flat, .349 x .879 x .063
53	736-0242	Washer, Belleville, .34 x .872 x .06
54	736-0247	Washer, Flat, .406 x 1.25 x .157 HT
55	736-0300	Wash, .406 x .875 x .059
56	736-0329	Washer, Lock, 1/4
57	737-3000	Fitting, Lube, 3/16 Drive
58	738-0143	Screw, Shldr., .498 x .34
59	738-0279	Spindle, Drive Plate
60	738-0924A	Screw, Hex Shldr., 1/4-28
61	741-0163A	Ass'y, Bearing/Housing
62	741-04025	Bearing, Self Aligning
63	741-04076	Bearing, Ball
64	741-04108	Bearing, Hex Flange
65	741-0563	Bearing, Ball
66	741-0748	Bush, Flg, .5 ID x .627 OD
67	746-0949A	Cable, Steering
68	746-0951	Cable, Auger Idler
69	747-0973	Rod, Drive Clutch
70	748-0234	Spacer, Shoulder
71	750-04703	Spcr., 1.0 ID x 1.50 OD
72	750-04717	Spcr., .51 ID x 7.895 Lg.
73	750-04718	Spcr., .51 ID x 3.66 Lg.
74	750-0903B	Spcr., .514 x .632 x 2.44
75	750-0997	Spacer, .675 x 1.0 x .23
76	750-1302B	Spcr, .6725 x 1.125 x 2.48
77	754-0131	V-Belt, 3/8 x 35.5
78	754-0222A	V-Belt, 1/2 x 44.0
79	756-0178	Idler, Flat, 2.75 OD
80	756-0240	Pulley, Flat Idler, 3.0 OD
81	756-0241B	Pulley, Dbl, 3.25 OD
82	756-0344	Pulley, Drive
83	756-0625	Roller, Cable
84	784-0385B	Brkt., Idler, Auger
85	784-0406A	Bracket, Frame Support
86	784-0407	Bracket, Axle Support
87	784-5726	Bracket, Idler, Drive
88	790-00167A	Bracket, Belt Keeper
89	790-00254	Bracket, Belt Cover
90	790-00255A	Frame, Transmission
91	790-00257	Cover, Upper Frame
92	790-00259	Cover, Lower Frame
93	712-04064	Nut, Flange Lock, 1/4-20 GrF
94	732-0705	Guide, Control Cable
95	736-0173	Washer, Flat, .28 x .74 x .063

