



Installing the Tracer MP581/AH541 or Tracer Summit BMTX BCU Operator-Display Door Upgrade

Ordering numbers: 4020 1156, S3090-0443-62, 4020 1224, S3090-0483-62

To add an operator display to a Tracer MP581 or Tracer AH541 controller or a BMTX model building control unit (BCU), remove the enclosure door, then install the new door with the operator display. Keep this document at or near the controller for access to calibration and cleaning instructions for the operator display.

Removing the door

To remove the enclosure door:

1. Open the door to a 90° angle from the enclosure as shown in Figure 1 on page 2.
2. Lift the door to pull the hinge pegs from the hinge holes.

Installing the door

To install the enclosure door:

1. Unpack the door and check for missing or damaged parts. Check to make sure that the touch screen and magnetic latches are installed. Check for cracks in the plastic.
2. Hold the door at a 90° angle from the enclosure as shown in Figure 1 on page 2.
3. Align the hinge pegs on the door with the hinge holes on the enclosure.
4. Gently lower the door until it rests securely in the hinge holes.
5. Verify that the door swings freely on the hinges and that the magnetic latches hold the door securely when it is closed.
6. Connect the operator-display cable to the operator display and the main board (Figure 1 on page 2).

Note: The operator-display cable passes beneath the termination board on enclosures with factory-installed operator displays.

7. Secure the operator-display cable to the enclosure with a wire tie.

Setting up the operator display

This section shows how to calibrate the operator-display touch screen and how to adjust the brightness and contrast. To set up the operator display screens and security, see the *Tracer MP580/581 Programmable Controller Programming* guide (CNT-SVP01B-EN), the *Tracer AH540/541 Configurable Air-Handler Controller Setup and Operations* guide (CNT-SVX05B-EN), or the *Tracer Summit System Programming* guide (BMTX-SVP01A-EN).

CAUTION

Avoid Equipment Damage!

To clean the operator display, use a cloth dampened with commercial liquid glass cleaner. Spraying water or cleansers directly on the screen may result in equipment damage.

Calibrating the operator display

To calibrate the operator display:

1. On the home screen, press the Setup button. The Setup menu appears.
2. On the Tracer MP581 or Tracer AH541, press the page down button to view the next screen.
3. Press the Calibrate Touch Screen button. A calibration screen appears.

CAUTION

Avoid Equipment Damage!

Do not allow the operator display to come in contact with sharp objects.

4. Touch the target using a small, pliable, blunt object, such as a pencil eraser. Hold until the beeping stops. A second calibration screen appears.

5. Again, touch the target with the object. Hold until the beeping stops. The touch screen is calibrated.
6. Press the Home button. The home screen appears.

Adjusting brightness and contrast

To adjust the brightness and contrast for the Tracer MP581 or Tracer AH541:

1. On the home screen, press the Setup button. The Setup menu appears.
2. Press the page down button to view the next screen.
3. Press the Adjust Brightness and Contrast button. The Brightness and Contrast screen appears.
4. To increase the brightness, press the buttons along the top row, in sequence, from left to right. To decrease the brightness, press the buttons from right to left.

Note: Contrast adjustment is not available on all computer display models.

5. To increase the contrast, press the buttons along the bottom row, in sequence, from left to right. To decrease the contrast, press the buttons from right to left.
6. Press the Home button. The home screen appears.

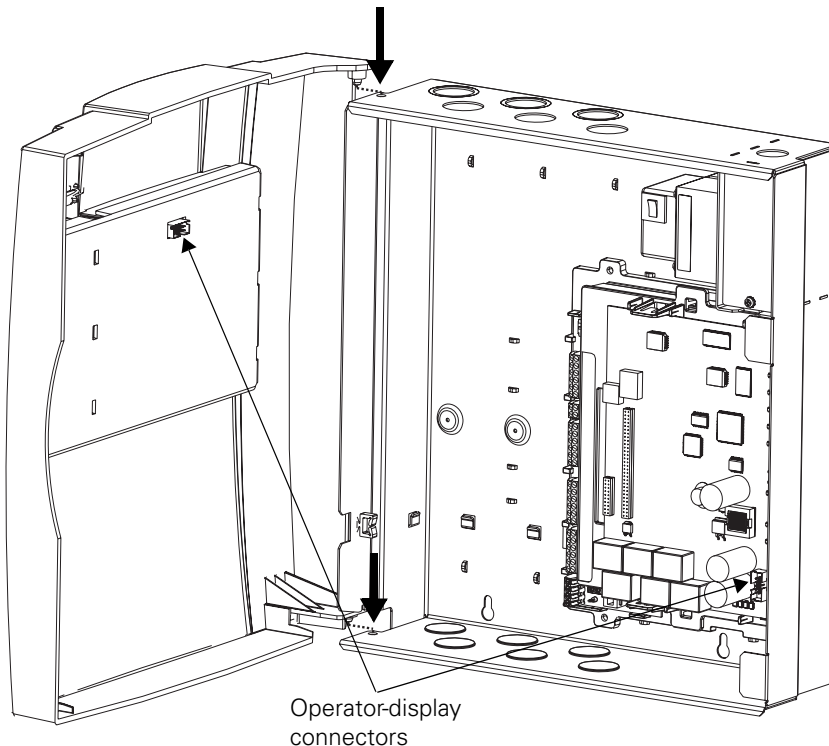
To adjust the brightness and contrast for the BMTX:

1. On the home screen, press the Setup button. The Setup menu appears.
2. Press the Backlight & Contrast button. The Brightness and Contrast screen appears.
3. To increase the brightness, press the buttons along the top row, in sequence, from left to right. To decrease the brightness, press the buttons from right to left.

Note: Contrast adjustment is not available on all computer display models.

4. To increase the contrast, press the buttons along the bottom row, in sequence, from left to right. To decrease the contrast, press the buttons from right to left.
5. Press the Home button. The home screen appears.

Figure 1. Aligning the door



Note: The operator-display cable passes beneath the termination board on enclosures with factory-installed operator displays.

Declaration of CE Conformity for the Tracer MP581 and Tracer AH541 operator displays

Manufacturer name: Trane

Manufacturer address: 4833 White Bear Parkway
St. Paul MN 55110, USA

The manufacturer hereby declares that the product:

Product name: Tracer MP581 and Tracer AH541 operator displays

Model numbers: 4020 1156

Conforms to the following standards or other normative documents:

Electromagnetic emission: (by Council directive 89/336/EEC)	EN50090-2-2:1996 Radiated EN55022: Conducted EN55022:	1998 Class B limit 1998 Class B limit
Electromagnetic immunity: (by Council directive 89/336/EEC)	EN50090-2-2:1996 IEC 1000-4-2:1995 EN61000-4-2 IEC 1000-4-3:1995 EN61000-4-3:1996 Amendment A1:1998 IEC 1000-4-4:1995 EN61000-4-4 IEC 1000-4-5:1995 EN61000-4-5 IEC 1000-4-6:1996 EN61000-4-6 IEC 1000-4-8:1993 EN61000-4-8 IEC 1000-4-11:1994 EN61000-4-11	±6.0 kV by contact ±8.0 kV by air 10.0 V/m 80 .. 1000 MHz ±2.0 kV ac power lines ±1.0 kV signal lines ±2.0 kV 10.0 V 0.15 .. 80 MHz

When and Where Issued

Electromagnetic Emission: 05/18/2001
Electromagnetic Immunity: 05/18/2001

Mark of compliance



John Olson
Design/Compliance Engineer

European contact

Societe Trane (Epinal, France)
1, rue des Ameriques, B.P. 6
F-88191 Golbey Cedex, France
Phone: (33) 329.31.73.00
Fax: (33) 329.81.24.98

This document validates CE conformity of the Tracer MP581 and Tracer AH541 operator displays.

Declaration of CE Conformity for the Tracer Summit BMTX BCU operator display

Manufacturer name: Trane

Manufacturer address: 4833 White Bear Parkway
St. Paul MN 55110, USA

The manufacturer hereby declares that the product:

Product name: Tracer Summit BMTX BCU operator display

Model numbers: BMTX001BAA000, BMTX001BAA001,
BMTX001BAA010, BMTX001BAA011

Conforms to the following standards or other normative documents:

Electromagnetic emission: EN61326-1
(by Council directive 89/336/EEC) Radiated EN55022: 1998 Class B limit
Conducted EN55022: 1998 Class B limit

Electromagnetic immunity: EN61326-1
(by Council directive 89/336/EEC)

EN61000-4-2	±4.0 kV by contact ±8.0 kV by air
EN61000-4-3:1996 Amendment A1:1998	10.0 V/m 80 .. 1000 MHz
EN61000-4-4	±2.0 kV ac power lines ±1.0 kV signal lines
EN61000-4-5	±2.0 kV
EN61000-4-6	0.15 .. 80 MHz
EN61000-4-8	30 A/m
EN61000-4-11	1/2 cycle



When and Where Issued

Electromagnetic Emission: 4/5/2004
Electromagnetic Immunity: 4/19/2004

Mark of compliance

John Olson
Design/Compliance Engineer

European contact

Societe Trane (Epinal, France)
1, rue des Ameriques, B.P. 6
F-88191 Golbey Cedex, France
Phone: (33) 329.31.73.00
Fax: (33) 329.81.24.98

This document validates CE conformity of the Tracer Summit BMTX BCU operator display.