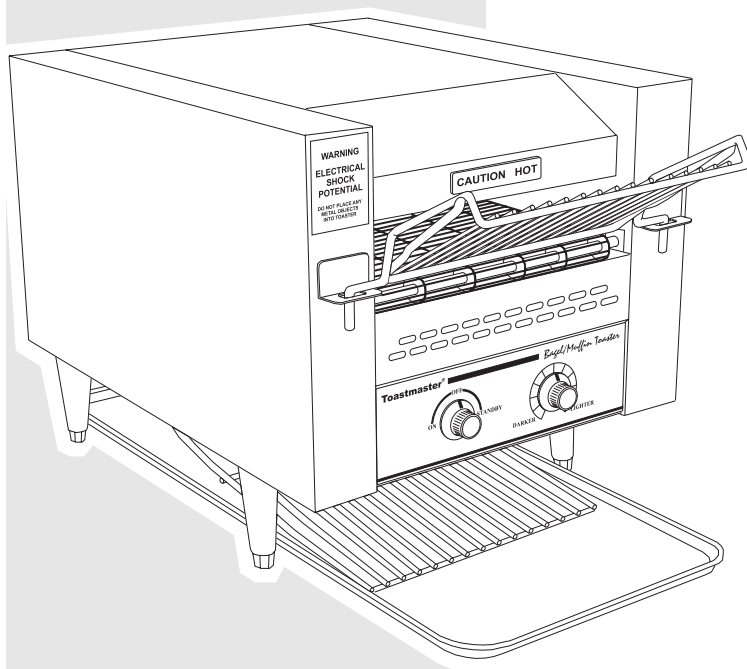


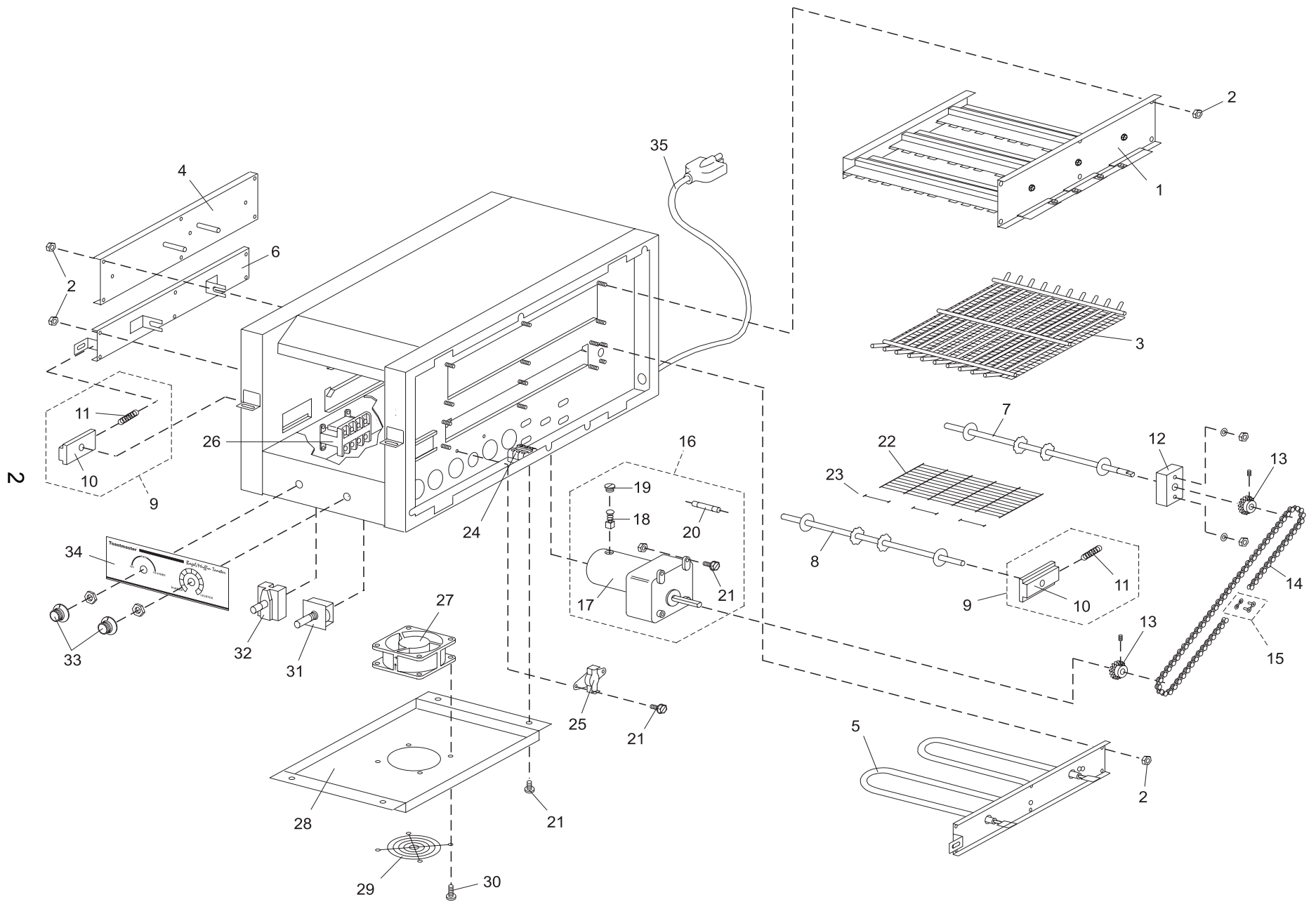


TB208/TB240/
TW208/TW240 (Eng)

parts manual

**MODELS TB208, TB240,
TW208, TW240
CONVEYOR TOASTERS**



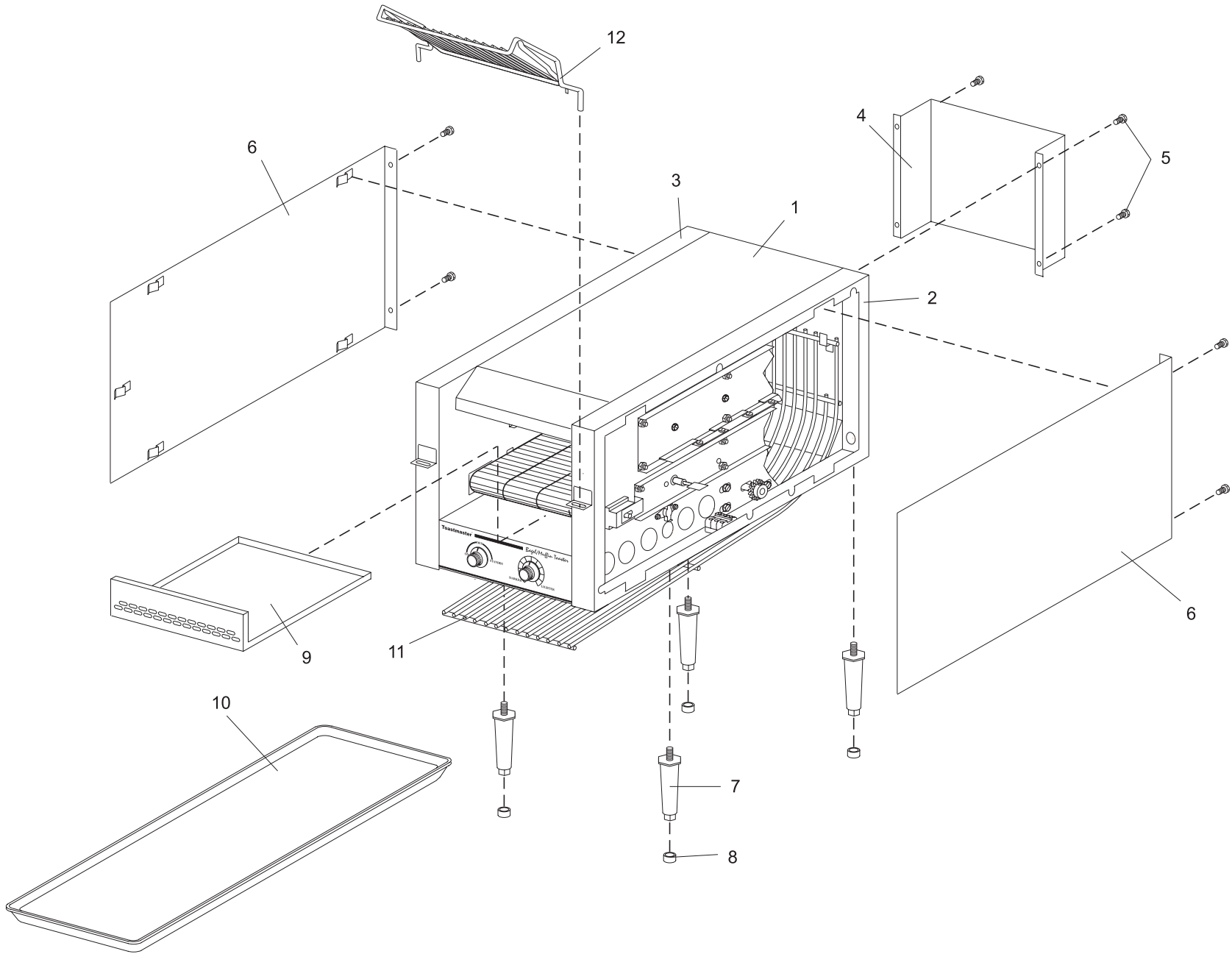


COMPONENTS - EXPLODED VIEW

COMPONENTS - PARTS LISTING

ITEM	QTY.	P/N	DESCRIPTION	ITEM	QTY.	P/N	DESCRIPTION
1	1	31228	HEATING ELEMENT ASSY, TOP, TB208 (208V/1920W)	16	1	31615	MOTOR AND FUSE ASSEMBLY
1	1	31229	HEATING ELEMENT ASSY, TOP, TB240 (240V/2100W)	17	1	3002757	MOTOR, CONVEYOR DRIVE, 115V
1	1	31729	HEATING ELEMENT ASSY, TOP, TW208 (208V/1920W)	18	1	30153	MOTOR BRUSH
1	1	31732	HEATING ELEMENT ASSY, TOP, TW240 (240V/2100W)	19	1	30154	CAP, PLASTIC
2	24	2001371	NUT, KEPS 10-32	20	1	31053	FUSE, 0.25A 125VAC
3	1	32679	GUARD, TOP HEATING ELEMENT	21	15	3B20A8801	SCREW, HWH 8-32 x 3/8"
4	1	31178	SUPPORT, TOP HEATER (TB208/TB240)	22	1	7007044	BELT, CONVEYOR, 11"W x 35"L, 119 LINKS
4	1	31730	SUPPORT, TOP HEATER (TW208/TW240)	23	3	3101215	MASTER LINK, CONVEYOR BELT
5	1	30058	HEATING ELEMENT ASSY, BOTTOM, TB208 OR TW208 (208V/800W)	24	1	27011-0017	TERMINAL BLOCK
5	1	30103	HEATING ELEMENT ASSY, BOTTOM, TB240 OR TW240 (240V/800W)	25	1	30519	THERMOSTAT, SNAP DISC (HIGH LIMIT - 250°F/121°C)
6	1	30054	SUPPORT, BOTTOM HEATER, LEFT	26	1	30697	TRANSFORMER, 230V PRI./115V SEC.
7	1	30063	SHAFT ASSEMBLY, REAR	27	1	27392-0002	COOLING FAN, 115V
8	1	7609861	SHAFT ASSEMBLY, FRONT	28	1	7008170	PANEL, BOTTOM
9	2	7610849	KIT, FRONT BEARING ASSEMBLY	29	1	27470-0004	FAN GRILLE
10	1	7008178	BEARING, FRONT	30	4	21226-0007	SCREW, SLT PNHD 10-24 x 1/2"
11	1	3103262	SPRING	31	1	31141	SPEED CONTROLLER
12	1	7006964	BEARING, REAR RIGHT	32	1	33388	SWITCH, 3-POSITION ON/OFF/STANDBY
12	1	7006963	BEARING, REAR LEFT	33	2	33402	KNOB
13	2	3103426	SPROCKET	34	1	34255	LABEL, CONTROL PANEL
14	1	7007605	DRIVE CHAIN (COMPLETE)	35	1	3001108	ASSY, CORD & PLUG - NEMA 6-15P (USA)
15	1	3101212	MASTER LINK, DRIVE CHAIN	35	1	32060	ASSY, CORD & PLUG - NEMA 6-20P (CANADA)
				NOT SHOWN:			
				--	1	32097	WIRESET
				--	1	30930	CORDSET, COOLING FAN
				--	4	3101254	INSULATION CLIPS

4




PANELS, TRAYS, AND MISCELLANEOUS - EXPLODED VIEW

PANELS, TRAYS, AND MISCELLANEOUS - PARTS LISTING

<i>ITEM</i>	<i>QTY.</i>	<i>P/N</i>	<i>DESCRIPTION</i>
1	1	7610842	PANEL, TOP
2	1	7610840	WELDMENT, RIGHT SIDE
3	1	7610839	WELDMENT, LEFT SIDE
4	1	390122	PANEL, REAR GUARD
5	8	3B20A8801	SCREW, HWH 8-32 x 3/8"
6	2	36590	PANEL, SIDE
7	4	1523B8301	LEGS, BLACK, 4" (102mm)
8	4	31253	CAP, LEG, NON-SKID
9	1	7610845	CRUMB TRAY, SLIDE-IN
10	1	3102532	CRUMB TRAY, RETURN
11	1	7609868	RACK, EXIT
12	1	30955	RACK, ENTRY
 NOT SHOWN:			
--	1	30844	LABEL, WARNING - ELECTRICAL SHOCK POTENTIAL
--	1	321049	LABEL, CAUTION - HOT
--	1	30858	OWNER'S OPERATING MANUAL



 **Toastmaster** is a registered trademark of Toastmaster, A Middleby Company. All rights reserved.

Middleby Cooking Systems Group • 1400 Toastmaster Drive • Elgin, IL 60120 • (847)741-3300 • FAX (847)741-4406

Middleby Corp 24-Hour Service Hotline 1-800-238-8444

www.middleby.com