

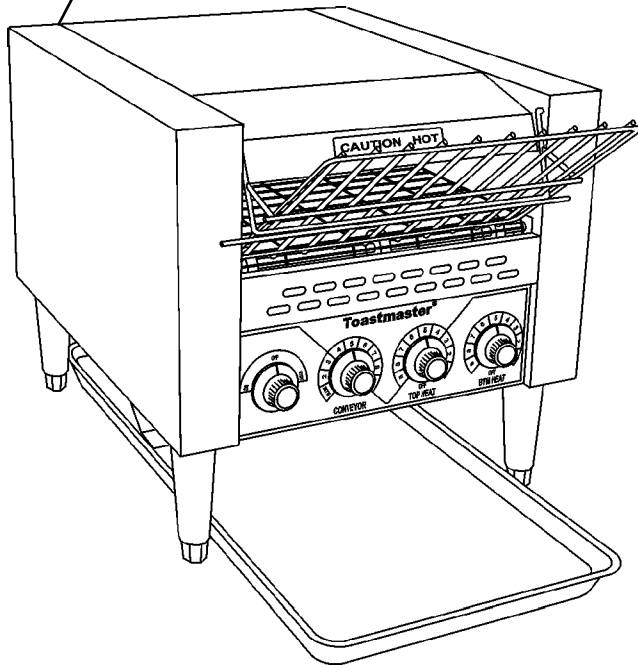
# TC17D, TC21D Conveyor Toasters

SPL102505-PF-BD

October 25, 2005



Serial Tag Location  
on Left Rear



## Serial # Code

First 4 digits - order of production

Fifth digit - model specific

Sixth and Seventh digit - month of production

Eighth and Ninth digit - year of production

Starting Serial # TC17D – 000010104 &  
after, TC21D – 000010204 & after

- TC17D 3674-120V
- TC17D 3663-208V
- TC17D 3666-240V
- TC21D 3663-208V
- TC21D 3666-240V

## Units with Front Extended Conveyor

- TC17D3 FEC 674-120V
- TC17D3 FEC 663-208V
- TC17D3 FEC 666-240V
- TC21D3 FEC 663-208V
- TC21D3 FEC 666-240V

# Parts Manual

*with Wiring Diagrams  
for domestic and standard  
export toasters*

## Table of Contents: Page 2



[www.toastmastercorp.com](http://www.toastmastercorp.com)

email: [techsupport@middleby.com](mailto:techsupport@middleby.com)

1-847-741-3300 fax 1-847-741-4406 (Parts Department)

© 2005 Toastmaster, A Middleby Company



is a registered trademark of Toastmaster, A Middleby Company. All rights reserved.  
Middleby Cooking Systems • 1400 Toastmaster Drive • Elgin, IL 60120

## Table of Contents

Spec Sheet TC17D Series.....	3
Spec Sheet TC21D Series.....	5
Key Parts .....	7
View of Internal Parts .....	8
Parts List for Internal Parts.....	9
View of External Parts .....	10
Parts List for External Parts .....	11
Wiring Diagrams (electrical schematics)	
120V TC17 D 52285C .....	12
208/240V TC17 D & 21 D 52287C.....	13
Notes .....	14

# Conveyor Toaster

## Model TC17D3 & TC17D3-FEC (Front Extended Conveyor)



### Electrical

Available in 120V, 208V or 240V, A/C, 1-phase only. Total rated input is 1.97 kW at 120V; 2.62 kW at 208V and 240V; and 2.41 kW for 230V CE toasters. A factory installed 6 ft (1.8 m) cord is included.

### Heating

When control is set to "ON", top and bottom tubular elements will turn on to toast both sides of bread. Lightness and darkness of the product is achieved by adjusting the top and bottom heat controls. Standby position allows for energy savings during non-peak periods.

### Controls

Rotary 3-position dial selects ON/OFF/STANDBY positions. A conveyor speed dial controls the belt speed. Heat dials control the upper and lower heating elements.

### Accessories

Fiberglass return tray.  
Angled loading rack (supplied with TC17D3)  
Horizontal loading rack (optional)  
Stainless steel tray (optional) fits both models as an exit tray. May also be used as a loading tray for TC17D3-FEC.

### Warranty

Warranty includes one year parts and labor, on-site service. (U.S.A. only).

### Ordering Information

ETL versions 120V, 208V or 240V, 1-phase, 50/60 Hz.  
CE versions 230V, 1-phase, 50/60 Hz.

### Application

TC17D3 Series Conveyor Toasters are designed to uniformly toast breads, buns, bagels, and muffins in large quantities, using continuous feed methods.

### General Information

#### Product Height:

- Extra-Tall 3" (76 mm) high opening.

#### Conveyor Type:

- TC17D3 - Conveyor extends to the end of the toasting chamber.
- TC17D3-FEC - Conveyor extends 7" (178 mm) beyond the end of the toasting chamber. Available in front only.

#### Product Loading:

- TC17D3 is equipped with a loading rack that is angled to feed the product into the toaster continuously.
- TC17D3-FEC has a front

extended conveyor for easier loading of larger bakery products.

#### Product Delivery:

- Both models are capable of rear-exit pass through operation. They are shipped as front-return models, but can easily be converted to rear-exit operation by following the supplied instructions.

### Safety

Unique air flow design keeps case, top, and sides cool. The unit is equipped with an auto cool down feature which allows the fan to cool the outer skin when the unit is turned off.

### Construction

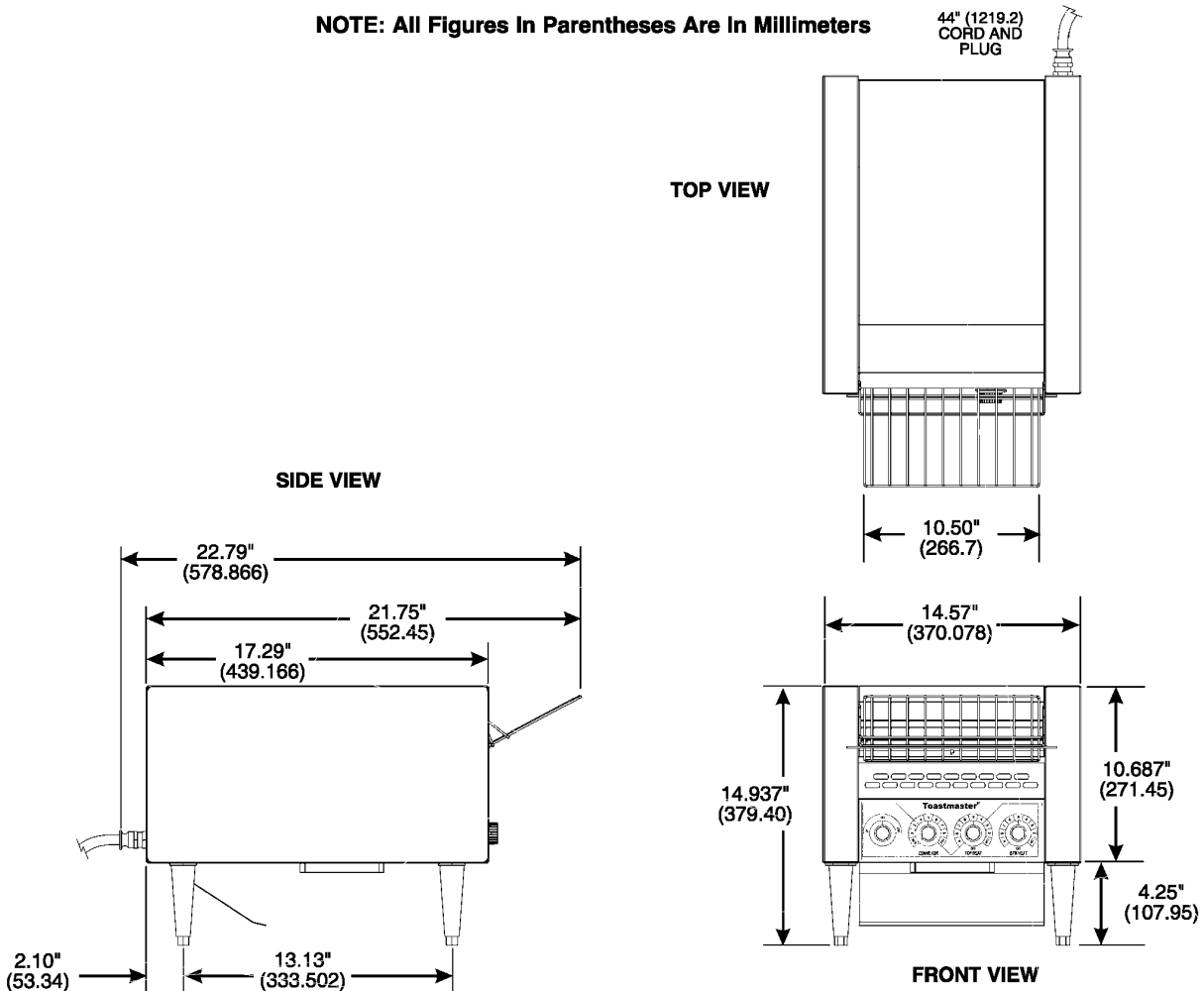
Steel construction with a stainless steel finish is used for durability. A stainless steel full-length, slide out crumb tray for easy clean-up. A fiberglass return tray is included.



# Conveyor Toaster

## Models TC17D3 & TC17D3-FEC (Front Extended Conveyor)

**NOTE: All Figures In Parentheses Are In Millimeters**



### GENERAL INFORMATION

Model	Width	Height	Depth	Net Weight	Ship Weight
TC17D	14.57 (370)	14.937 (379.4)	17.29" (439.2)	41 lbs. 18.6 kg	47 lbs 21.3 kg

### ELECTRICAL INFORMATION

Model#	Voltage	Phase	Hz	kW	Amps	Plug Type
TC17D	120	1	50/60	1.97	16.4	NEMA 5-20P (USA) NEMA 5-20P (Canada)
TC17D	208	1	50/60	2.62	12.6	NEMA 6-20P (USA) NEMA 6-20P (Canada)
TC17D	240	1	50/60	2.62	11.0	NEMA 6-20P (USA) NEMA 6-20P (Canada)
TC17D (CE Only)	230	1	50/60	2.41	11.0	Kabelmetal-type HO7RN-F cord; 3x1.5 mm conductors with molded on plug rated 250VAC, 16A.

**INTENDED FOR COMMERCIAL USE ONLY. NOT FOR HOUSEHOLD USE.**

Toastermaster, in line with its policy to continually improve its product, reserves the right to change materials or specifications without notice. Such revisions do not entitle the buyer to corresponding changes, improvements, additions, or replacements for previously purchased equipment.

# Conveyor Toaster

## Model TC21D3 & TC21D3-FEC (Front Extended Conveyor)



### Electrical

Available in 208V or 240V, A/C, 1-phase only. Total rated input is 2.9 kW; and 2.7 kW for 230V CE toasters. A factory installed 6 ft (1.8 m) cord is included.

### Heating

When control is set to "ON", top and bottom tubular elements will turn on to toast both sides of bread. Lightness and darkness of the product is achieved by adjusting the top and bottom heat controls. Standby position allows for energy savings during non-peak periods.

### Controls

Rotary 3-position dial selects ON/ OFF/ STANDBY positions. A conveyor speed dial controls the belt speed. Heat dials control the upper and lower heating elements.

### Accessories

Fiberglass return tray.  
Angled loading rack (supplied with TC17D3)  
Horizontal loading rack (optional)  
Stainless steel tray (optional) fits both models as an exit tray. May also be used as a loading tray for TC17D3-FEC.

### Warranty

Warranty includes one year parts and labor, on-site service. (U.S.A. only).

### Ordering Information

ETL versions 208V or 240V, 1-phase, 50/60 Hz.  
CE versions 230V, 1-phase, 50/60 Hz.

### Application

TC21D3 Series Conveyor Toasters are designed to uniformly toast breads, buns, bagels, and muffins in large quantities, using continuous feed methods.

### General Information

#### Product Height:

- Extra-Tall 3" (76 mm) high opening.

#### Conveyor Type:

- TC21D3 - Conveyor extends to the end of the toasting chamber.
- TC21D3-FEC - Conveyor extends 7" (178 mm) beyond the end of the toasting chamber. Available in front only.

#### Product Loading:

- TC21D3 is equipped with a loading rack that is angled to feed the product into the toaster continuously.
- TC21D3-FEC has a front

extended conveyor for easier loading of larger bakery products.

#### Product Delivery:

- Both models are capable of rear-exit pass through operation. They are shipped as front-return models, but can easily be converted to rear-exit operation by following the supplied instructions.

### Safety

Unique air flow design keeps case, top, and sides cool. The unit is equipped with an auto cool down feature which allows the fan to cool the outer skin when the unit is turned off.

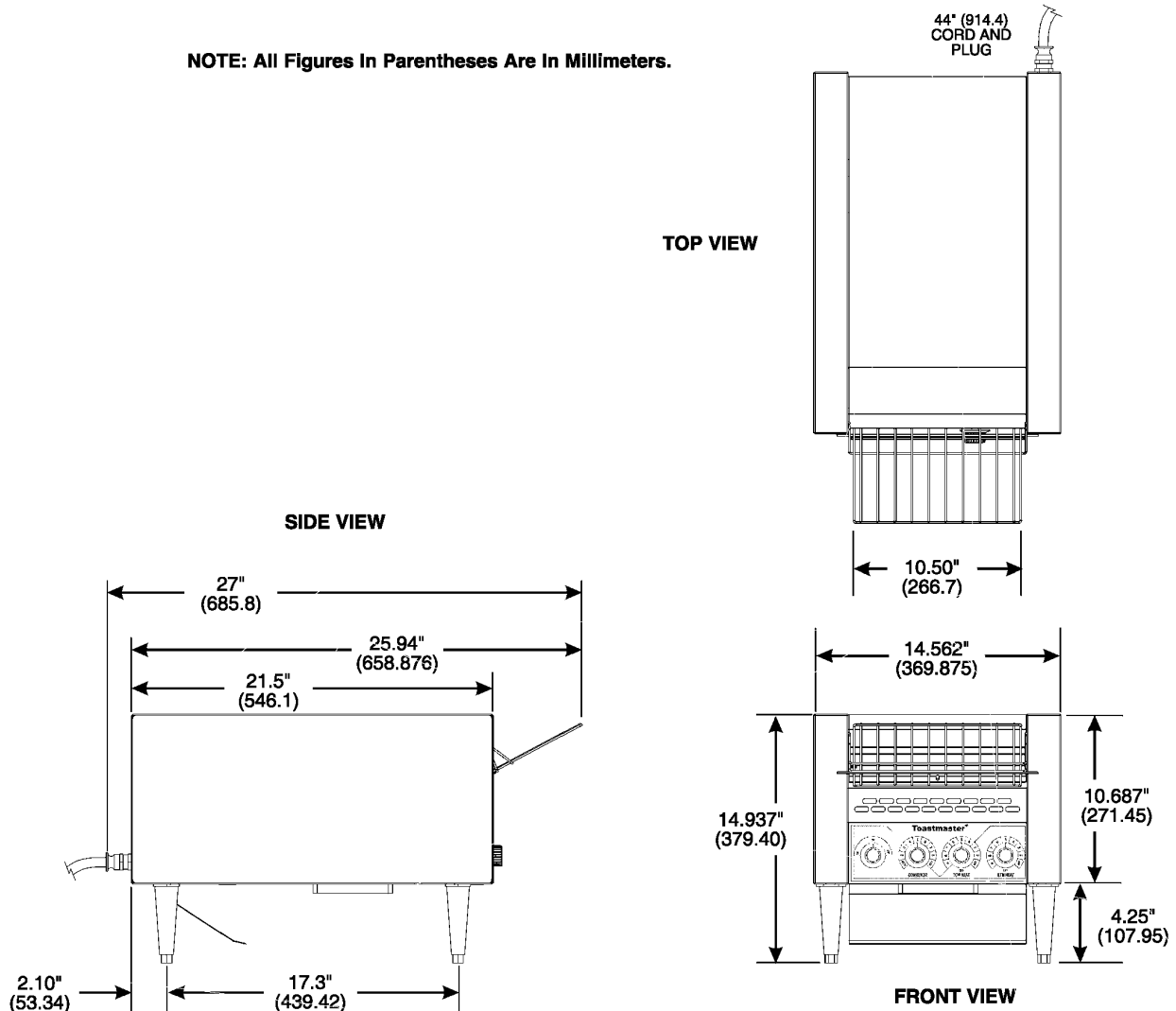
### Construction

Steel construction with a stainless steel finish is used for durability. A stainless steel full-length, slide out crumb tray for easy clean-up. A fiberglass return tray is included.

# Conveyor Toaster

## Models TC21D3 & TC21D3-FEC (Front Extended Conveyor)

**NOTE: All Figures in Parentheses Are in Millimeters.**



### GENERAL INFORMATION

Model	Width	Height	Depth	Net Weight	Ship Weight
TC21D	14.562" (369.875)	14.937" (379.4)	21.5" (686)	52 lbs. 23.6 kg	58 lbs 26.3 kg

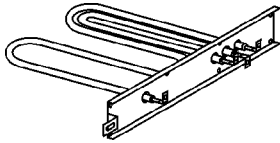
### ELECTRICAL INFORMATION

Model#	Voltage	Phase	Hz	kW	Amps	Plug Type
TC21D	208	1	50/60	2.9	13.9	NEMA 6-20P
TC21D	240	1	50/60	2.9	12.1	NEMA 6-20P
TC21D (CE Only)	230	1	50/60	2.7	11.7	Kabel/metal-type HO7RN-F cord; 3x1.5 mm conductors with molded on plug rated 250VAC, 16A.

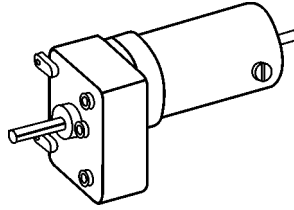
**INTENDED FOR COMMERCIAL USE ONLY. NOT FOR HOUSEHOLD USE.**

Toastmaster, in line with its policy to continually improve its product, reserves the right to change materials or specifications without notice. Such revisions do not entitle the buyer to corresponding changes, improvements, additions, or replacements for previously purchased equipment.

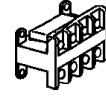
# KEY PARTS



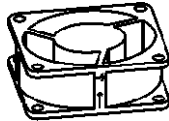
1A through 1F



2, 2A, 2B



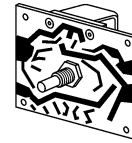
3



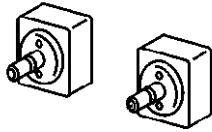
4, 4A



5

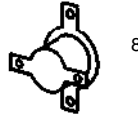


6

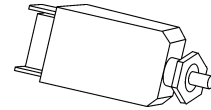


7

7A



8

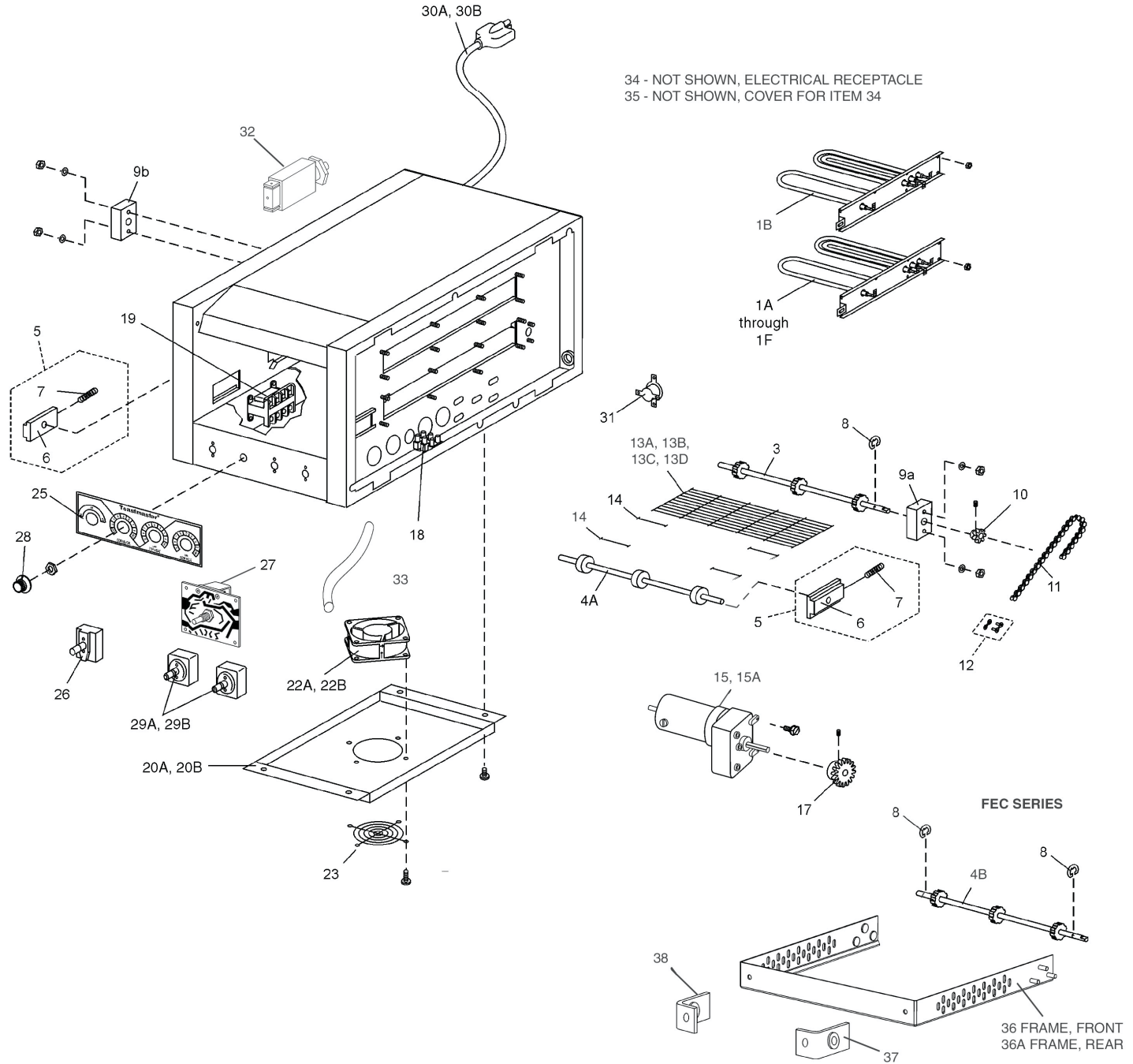


9

# KEY PARTS

ITEM	QTY.	P/N	DESCRIPTION
1A	1	33404	HEATING UNIT, TC17, 120V, 860W
1B	1	33405	HEATING UNIT, TC17, 120V, 860W + 250W
1C	2	33423	HEATING UNIT, TC17, 208V, 1060W + 250W
1D	2	33425	HEATING UNIT, TC17, 240V, 1060W + 250W
1E	2	41796	HEATING UNIT, TC21, 208V, 1200W + 250W
1F	2	41797	HEATING UNIT, TC21, 240V, 1200W + 250W
2	1	52223	CONVEYOR DRIVE MOTOR, WITH SLEEVING AND MALE TERMINALS
2A	1	3002757	CONVEYOR DRIVE MOTOR, CAN ALSO BE USED - WIRES ONLY
2B	1	58390	CONVEYOR DRIVE MOTOR, CAN ALSO BE USED (UNIVERSAL KIT, W/MAGNET)
3	1	30697	TRANSFORMER, 230V/115V
4	1	27392-0002	COOLING FAN, 115V
4A	1	97525	COOLING FAN, 208/230V
5	1	33388	SWITCH, 3-POSITION, ON/OFF/STANDBY
6	1	SEE PAGE 9	SPEED CONTROLER (3002808A THRU 3002808E, ITEM 27)
7	2	3006098	SWITCH, TEMPERATURE, 120V
7A	2	3006099	SWITCH, TEMPERATURE, 208/240V
8	1	38079	THERMOSTAT, COOLDOWN - SNAP DISC - NORMALLY OPEN
9	1	48635	CIRCUIT BREAKER, 0.3A

# View of INTERIOR PARTS



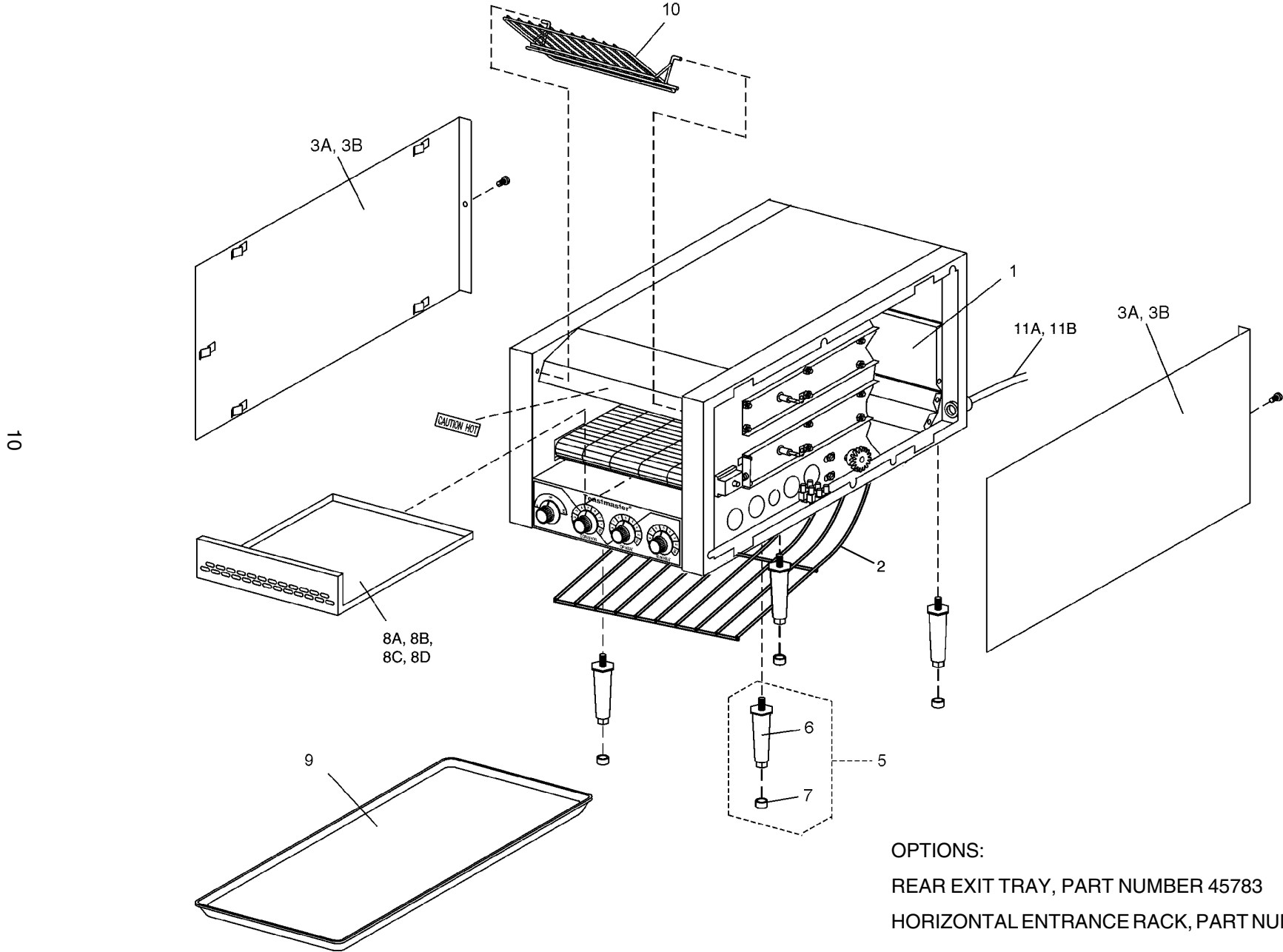


## Parts List for INTERIOR PARTS

ITEM	QTY.	P/N	DESCRIPTION
1A	1	33404	SINGLE BTM HEATER TC17/120V, 860W
1B	1	33405	DUAL TOP HEATER TC17/120V, 860W+250W
1C	2	33423	DUAL HEATER (TOP & BTM) TC17/208V, 1060W+250W
1D	2	33425	DUAL HEATER (TOP & BTM) TC17/240V, 1060W+250W
1E	2	41796	DUAL HEATER (TOP & BTM) TC21/208V, 1200W+250W
1F	2	41797	DUAL HEATER (TOP & BTM) TC21/240V, 1200W+250W
3	1	55563	SHAFT ASSEMBLY, REAR, WITH SPROCKETS
4A	1	33396	SHAFT ASSEMBLY, FRONT, WITH SMOOTH ROLLERS
4B	1	47392	SHAFT ASSEMBLY, FRONT, WITH SPROCKET ROLLERS
5	2	7610849	KIT, FRONT BEARING ASSEMBLY <i>(inc. items 6-7)</i>
6	2	7008178	BEARING, FRONT
7	2	3103262	SPRING
8	3	3102930	RETAINER, E-RING, 5/16"/7.9mm (1 for NON FEC)
9A	1	7006964	BEARING, REAR RIGHT, MOTOR
9B	1	7006963	BEARING, REAR LEFT
10	1	34129	SPROCKET, DRIVE SHAFT, 12T
11	1	32090	DRIVE CHAIN, 16-1/4"/413mm WITH MASTERLINK
12	1	3101212	MASTERLINK, DRIVE CHAIN
13A	1	33392	BELT, CONV, TC17D 10" x 25"/254 x 635mm, 85 LINKS
13B	1	39351	BELT, CONV, TC21D 10" x 33"/254 x 838mm, 113 LINKS
13C	1	47636	BLT, CONV, TC17D3 FEC, 42", 141 LINKS
13D	A/R	33393	BELT, CONV, 12" SECTION
14	2	33394	MASTERLINK, CONVEYOR BELT
15	1	52223	MOTOR, DRIVE WITH SLEEVING AND MALE TERMINALS
15A	1	3002757	MOTOR, DRIVE - WIRES ONLY (58390 UNIVERSAL KIT CAN ALSO BE USED)
17	1	34128	SPROCKET, MOTOR, 20T
18	1	33406	TERMINAL BLOCK, 3-POLE
19	1	30697	TRANSFORMER, 230Vp:115Vs

ITEM	QTY.	P/N	DESCRIPTION
20A	1	42681	BOTTOM PANEL, TC17D
20b	1	39260	BOTTOM PANEL, TC21D
22A	1	27392-0002	COOLING FAN, 115V, TC17D, 120V ONLY
22B	1	97525	COOLING FAN, 230V, TC17D/TC21D, 208V/240V
23	1	27470-0004	GUARD, FAN
25	1	45078	DECAL, CONTROL PANEL
26	1	33388	SWITCH, 3-POSITION, ON/OFF/STBY
27	1	SELECT THE CORRECT KIT BELOW	KIT, SPEED CONTROLLER
	1	3002808A	TC17D, 120V
	1	3002808B	TC17D, 208V
	1	3002808C	TC17D, 240V
	1	3002808D	TC21D, 208V
	1	3002808E	TC21D, 240V
28	4	33402	KNOB, CONTROLS
29A	2	3006098	SWITCH, TOP/BTM TEMPERATURE ADJUSTMENT, 120V
29B	2	3006099	SWITCH, TOP/BTM TEMPERATURE ADJUSTMENT, 208V/240V
30A	1	47672	CORD & PLUG, NEMA 5-20P, TC17D 120V, 20A
30B	1	50578	CORD & PLUG, NEMA 6-20P, 20A, TC17D/TC21D 208V/240V, 20A
31	1	38079	COOL DOWN THERMOSTAT NORMALLY OPEN (CLOSES AT 120 DEGREES F)
32	1	48635	CIRCUIT BREAKER, 0.3A
33	1	45082	CORDSET, COOLING FAN
34	1	3002639	RECEPTACLE, 5-20R
35	1	3002640	COVER, ELECTRICAL 120V
36	1	47437	FRAME, FRONT
36A	1	47457	FRAME, REAR
37	1	47394	BRACKET, RIGHT WITH BUSHING
38	1	47393	BRACKET, LEFT WITH BUSHING

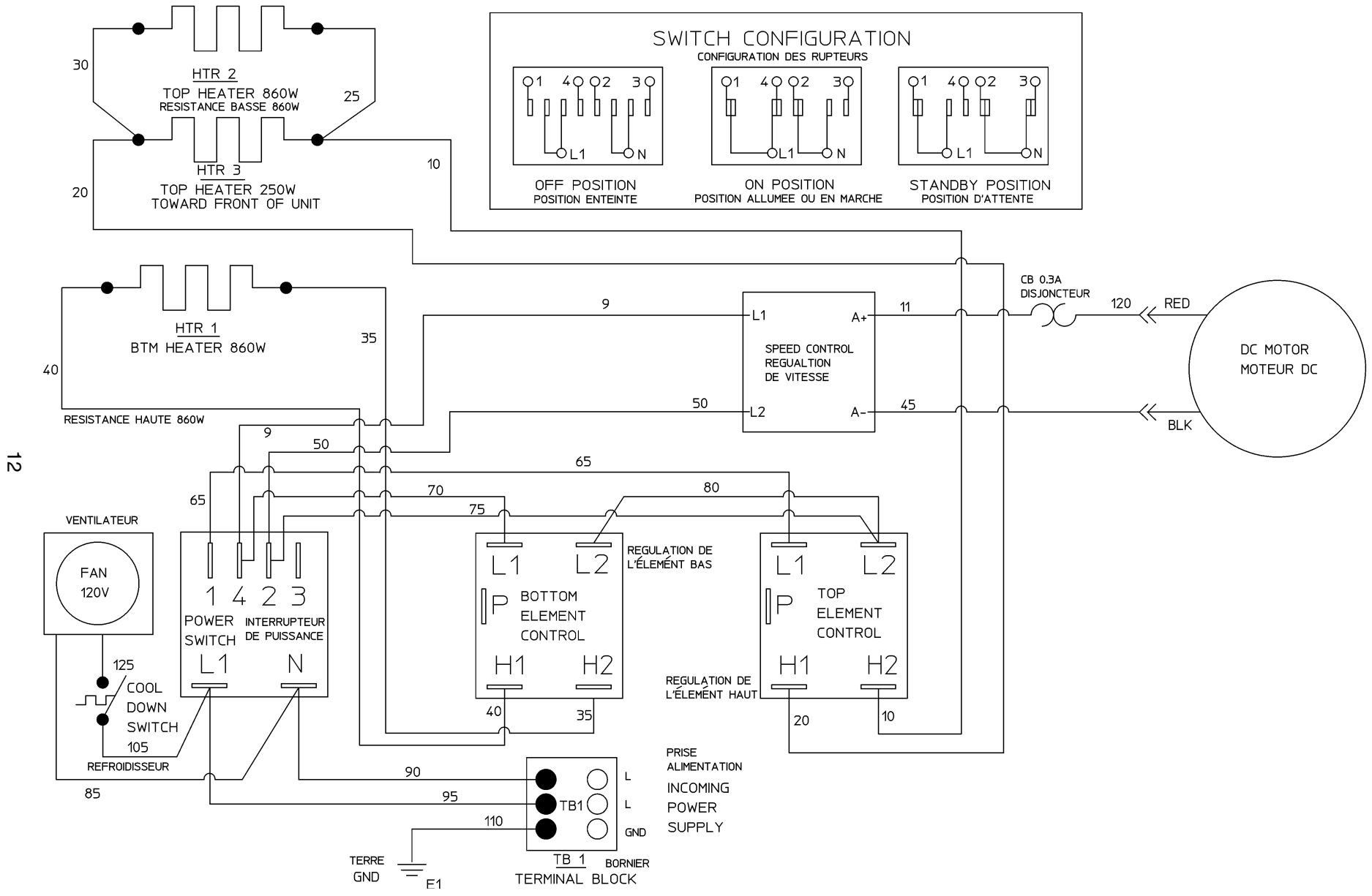
View of EXTERIOR PARTS



OPTIONS:  
REAR EXIT TRAY, PART NUMBER 45783  
HORIZONTAL ENTRANCE RACK, PART NUMBER 47203

### Parts List for EXTERIOR PARTS

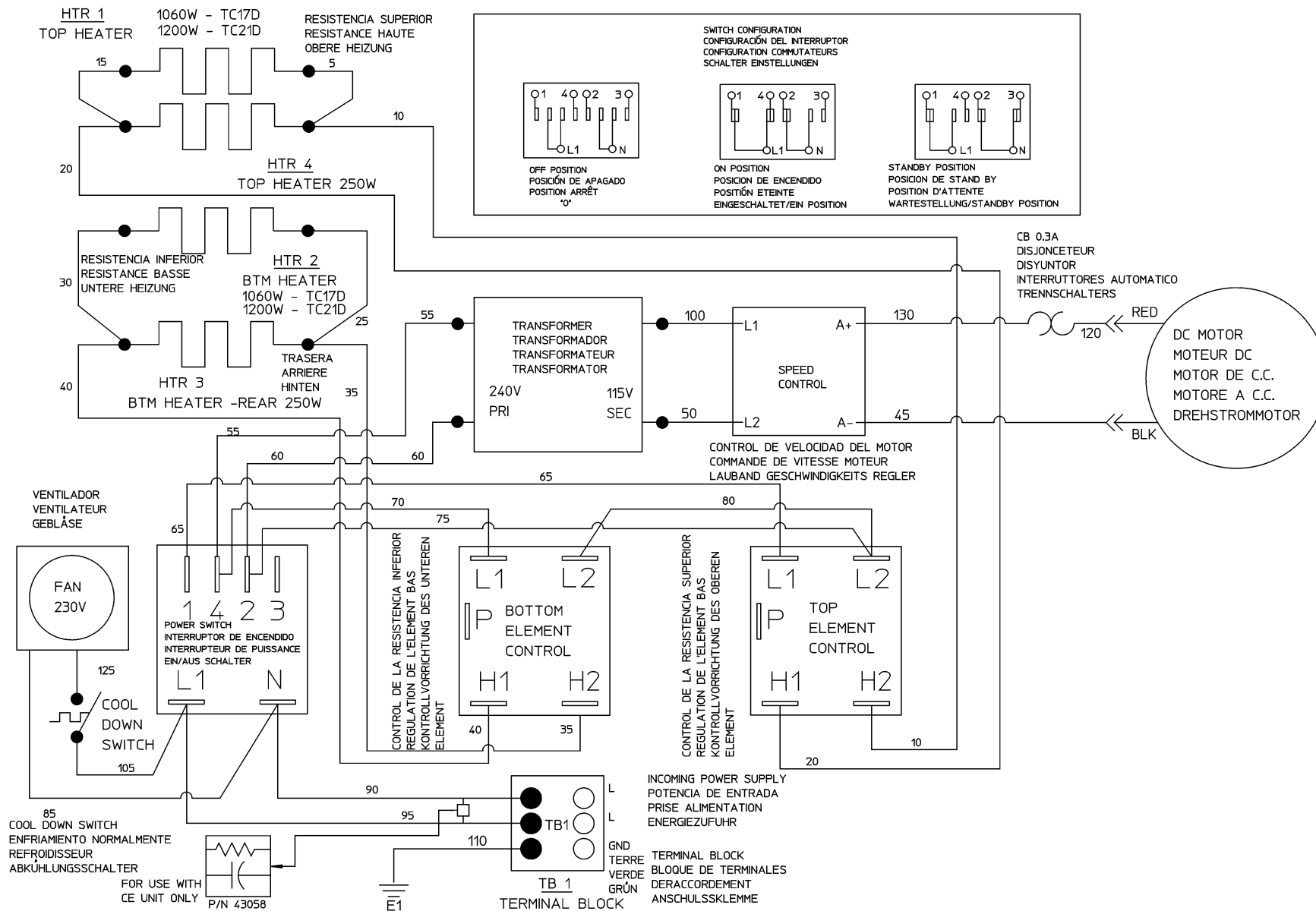
ITEM	QTY.	P/N	DESCRIPTION
1	1	39541	PANEL, REAREXIT
2	1	50576	EXIT CHUTE
3A	2	47387	PANEL, SIDE, TC17D
3B	2	46683	PANEL, SIDE, TC21D
5	4	48775	ASSY, LEG, 4" / 102mm <i>(inc. items 10-11)</i>
6	4	3101908	LEG, 4" / 102mm
7	4	31254	CAP, RUBBER
8A	1	33390	CRUMB TRAY, SLIDE-IN, TC17D
8B	1	39259	CRUMB TRAY, SLIDE-IN, TC21D
8C	1	47383	CRUMB TRAY, SLIDE-IN, FEC-TC17
8D	1	47572	CRUMB TRAY, SLIDE-IN, FEC-TC21
9	1	33391	RETURN TRAY
10	1	33410	ENTRANCE RACK
11A	1	47672	CORD & PLUG, NEMA, 5-20P, TC17D, 120V
11B	1	50578	CORD & PLUG, NEMA, 6-20P, TC17D/TC21D 208/240V
<b>OPTIONS</b>			
	1	45783	EXIT TRAY, REAR
	1	47203	ENTRANCE RACK, HORIZONTAL



Wiring Diagrams (electrical schematics)

**WIRING DIAGRAM, 120V TC17 D**

52285C



**WIRING DIAGRAM, 208/240V TC17 D & 21 D**

## NOTES

