

Split System Submittal Data



Building Life.

System: 42XHW72R

Indoor/Outdoor: XHW4272R/CH4272R

Grille: PNR-XH3642

Ceiling Recessed Heat Pump

Job Name: _____
 Location: _____
 Engineer: _____
 Submitted to: _____
 Submitted by: _____
 Reference: _____

Approval: _____
 Date: _____
 Construction: _____
 Unit #: _____
 Drawing #: _____



General Data (at 230V)

Power	V/PH/Hz	230/208/1/60
Circuit Ampacity	(A)	15-40 Indoor-Outdoor
Fuse Size, Max.	(A)	15-40 Indoor-Outdoor

Compressor		DC Rotary Inverter
No. used		1
R.L. Amps - L.R.	(A)	18.1-31.0

Outdoor Unit		
Fan type		Propeller
Dia. (in.) - No. Speeds		18-7/64-2
Type Drive - No. Speeds		DC Motor
No. Poles	(RPM)	8 - 830
No. Motors	(W)	2 - 90
CFM	(High)	3531
F.L. Amps	(A)	19.7

		Aluminum Fin & Copper Pipe
Coil Type		Aluminum Fin & Copper Pipe
Fin Type - Pipe Type		Slit Plate - Inner Rifled
Rows - F.P.I.		2-12.7
Face Area	(sq.ft.)	11.62
Tube Size	(in.)	3/8"

Indoor Unit		
Fan type		Turbo
Dia. & Length (in.) - No. Speeds		17-7/16-1
No. Speeds		3 & Auto
No. Poles	(RPM, High)	6 - 506
No. Motors	(W)	1 - 60
CFM	(Hi/Med/Lo)	1050/840/720
Indoor Sound Rating	(Hi) (dB-A)	45
F.L. Amps	(A)	1.0

		Aluminum Plate Fin & Copper Tube
Coil Type		Aluminum Plate Fin & Copper Tube
Fin Type - Pipe Type		Slit Plate - Inner Rifled
Rows - F.P.I.		2 - 14.9
Face Area	(sq.ft.)	8.2
Tube Size	(in.)	9/32"
Drain Connection Size	(in.)	1-17/64

Refrigerant		R410A
Lbs. - R410a (outdoor unit)		7.94
Control		Electric Expansion Valve
Connection		Flare
Line Length, Max (ft.)		165
Lift Difference, Max (ft.)		50 (outdoor lower), 100 (outdoor higher)
Line Size	(in. O.D. Discharge)	3/8"
Line Size	(in. O.D. Suction)	5/8"

Dimensions	(in.)	H x W x D
Indoor Unit	(Uncrated)	14-31/64 x 45-9/32 x 33-55/64
	(Crated)	12-13/32 x 44-19/64 x 33-9/32
Outdoor Unit	(Uncrated)	48-7/16 x 37 x 13-3/8
	(Crated)	52-3/8 x 39-31/32 x 16-3/32

Weight		Indoor	Outdoor
Net	(lbs.)	60	220
Shipping	(lbs.)	71	240
Shipping Volume	(cu.ft.)	10.6	19.5

Performance Data @ ARI Standard Conditions (230/208V)

Cooling		
Total Capacity	(BTU/H)	39,500 (9,500-39,500)
Sensible Capacity	(BTU/H)	23,530
Latent Capacity	(BTU/H)	15,970
SEER		14.6
Dehumidification	(Pints/H)	12.6
Amps	(A)	23.0/25.4
Power Inputs	(W)	4,520/4,520
Outdoor Sound Rating	(dB-A)	53

Heating		
Total Capacity	(BTU/H)	48,000 (8,000-48,000)
HSPF		10.4

➔➔➔ Dimensions

Heating

Amps	(A)	22.4/24.8
Max. Amps	(A)	22.4/24.8
Power Inputs	(W)	4,360/4,360
Back-up Strip Heater	(KW)	0.00/0.00
Outdoor Sounds Rating	(dB-A)	53

Features

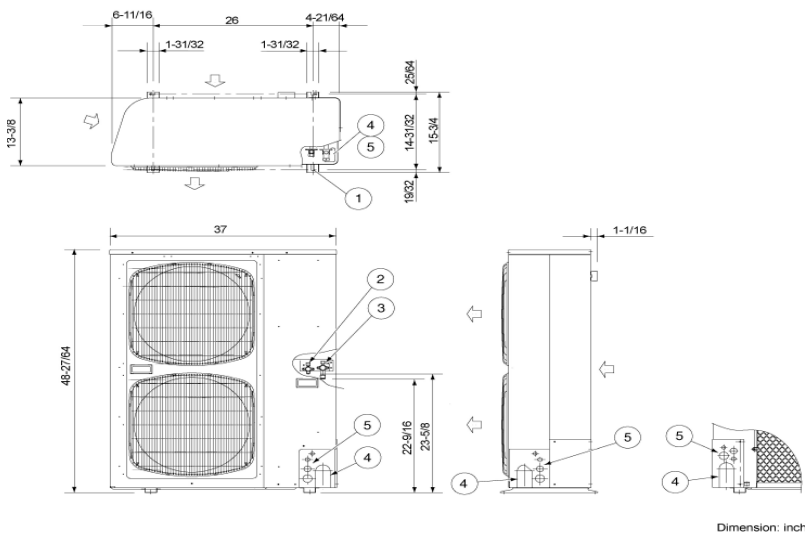
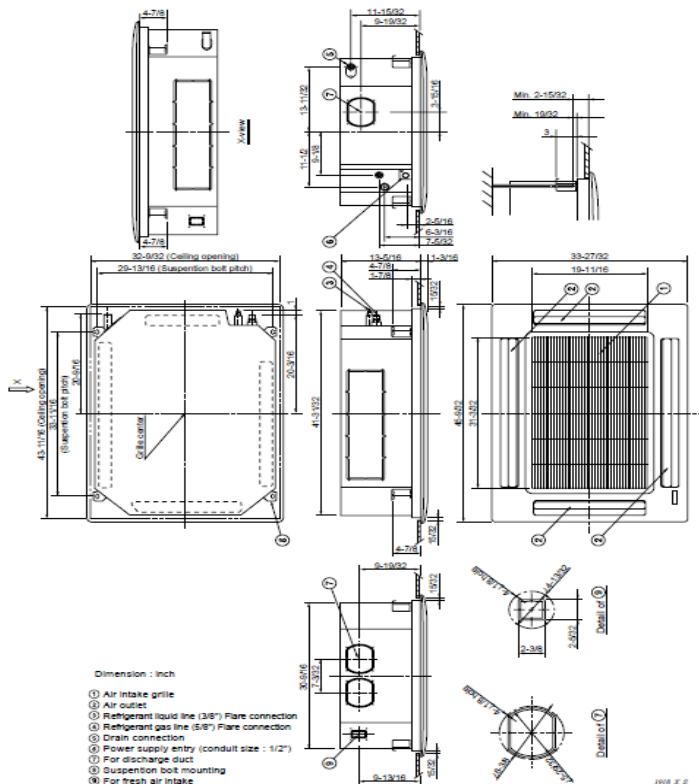
Controls	Microprocessor	
Remote Controller	LCD Wired Type, Temp. Sensor Built In	
Temperature Control	IC Thermostat	
Timer	72 Hr. ON/OFF	
Night Setback	Built-In	
Air Louver	Manual	
	(Horizontal)	Automatic
	(Vertical)	Automatic
Power Failure Automatic Restart	Built-In	
Heating/Cooling Automatic Changeover	Built-In	
Self-Diagnosis	Built-In	
Air Filter	Washable, Anti-Mold	

Options

Refrigerant Line Set	Available
Fresh Air Intake	Available
Air duct Extension	Knock-out
Condensate Drain Pump	Standard
Wireless Remote Controller	Available
Non-Removeable Locking Remo-con Bracket	Available

Operating Range

		Indoor Air Intake Temp.	Outdoor Air Intake Temp.
Cooling	Maximum	95F DB/71F WB	115F DB
	Minimum	67F DB/57F WB	0F DB
Heating	Maximum	80F DB/67F WB	75F DB/65F WB
	Minimum	-DB/-WB	5F DB



Sanyo Commercial Solutions
A Division of SANYO North America
1300 Michael Drive
Wood Dale, IL 60191 USA
www.sanyohvac.com

