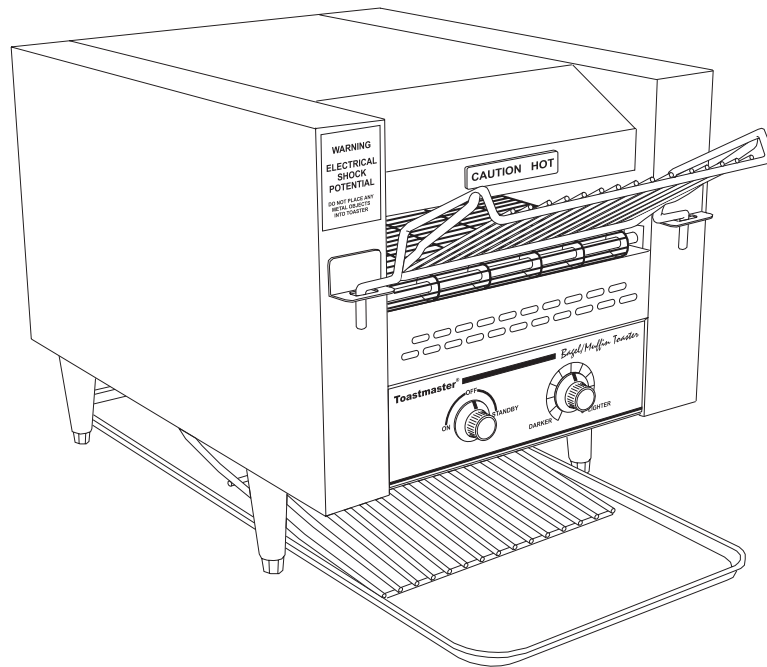




TB208/TB240/
TW208/TW240
Eng (UL)



Conveyor Toaster

Models TB208, TB240, TW208, TW240

OWNER'S OPERATING & INSTALLATION MANUAL

© 1999 Toastermaster, A Middleby Company



is a registered trademark of Toastermaster, A Middleby Company. All rights reserved.

Middleby Cooking Systems Group • 1400 Toastermaster Drive • Elgin, IL 60120 • (847)741-3300 • FAX (847)741-4406



P/N 30858
Price \$30.00
Rev. C • V1 • 2/99



NO QUIBBLE LIMITED WARRANTY

TOASTMASTER, HEREINAFTER REFERRED TO AS THE SELLER, WARRANTS EQUIPMENT MANUFACTURED BY IT TO BE FREE FROM DEFECTS IN MATERIAL AND WORKMANSHIP FOR WHICH IT IS RESPONSIBLE. THE SELLER'S OBLIGATION UNDER THIS WARRANTY SHALL BE LIMITED TO REPLACING OR REPAIRING, AT SELLER'S OPTION, WITHOUT CHARGE, ANY PART FOUND TO BE DEFECTIVE AND ANY LABOR AND MATERIAL EXPENSE INCURRED BY SELLER IN REPLACING OR REPAIRING SUCH PART. SUCH WARRANTY SHALL BE LIMITED TO THE ORIGINAL PURCHASER ONLY AND SHALL BE EFFECTIVE FOR A PERIOD OF ONE YEAR FROM DATE OF ORIGINAL INSTALLATION, OR 18 MONTHS FROM DATE OF PURCHASE, WHICHEVER IS EARLIER; PROVIDED THAT TERMS OF PAYMENT HAVE BEEN FULLY MET.

As part of Toastmaster's "no quibble" warranty, all in-warranty Toastmaster products that require service, are to be serviced **on site**.

The warranty period for Accu-Miser griddles shall be 24 months from the date of installation or 30 months from the date of purchase, whichever is earlier.

Normal maintenance functions, including lubrication, cleaning, or customer abuse, are not covered by this "no quibble" warranty.

Seller shall be responsible only for repairs or replacements of defective parts performed by Seller's authorized service personnel. Authorized service agencies are located in principal cities throughout the contiguous United States, Alaska, and Hawaii. This warranty is valid in the 50 United States and is void elsewhere unless the product is purchased through Middleby International with warranty included.

The foregoing warranty is exclusive and in lieu of all other warranties, expressed or implied. There are no implied warranties of merchantability or of fitness for a particular purpose.

The foregoing shall be Seller's sole and exclusive obligation and Buyer's sole and exclusive remedy for any action including breach of contract or negligence. In no event shall Seller be liable for a sum in excess of the purchase price of the item. Seller shall not be liable for any prospective or lost profits of Buyer.

© 1999 Toastmaster, A Middleby Company



is a registered trademark of Toastmaster, A Middleby Company. All rights reserved.

Toastmaster • 1400 Toastmaster Drive • Elgin, IL 60120 • USA • (847)741-3300 • FAX (847)741-4406

Middleby Corp 24-Hour Service Hotline 1-800-238-8444

www.middleby.com

WARNING: IN CASE OF FIRE

Disconnect the toaster from its power source **IMMEDIATELY**. Shutting down the electrical heating elements allows the unit to cool, making it easier to put out the fire.

WARNING: FOR YOUR SAFETY

**DO NOT STORE OR USE GASOLINE
OR OTHER FLAMMABLE VAPORS OR LIQUIDS
IN THE VICINITY OF THIS OR ANY OTHER APPLIANCE**

WARNING

**IMPROPER INSTALLATION, ADJUSTMENT, ALTERATION, SERVICE OR
MAINTENANCE CAN CAUSE PROPERTY DAMAGE, INJURY OR DEATH. READ
THE INSTALLATION AND OPERATING INSTRUCTIONS THOROUGHLY BEFORE
INSTALLING OR SERVICING THIS EQUIPMENT.**

WARNING

DO NOT OPERATE THE CONVEYOR TOASTER:

- *ON EITHER OF ITS SIDES*
- *ON ITS REAR SURFACE*
- *WITHOUT LEGS*

PREMATURE FAILURE OF THE HEATING ELEMENTS WILL OCCUR.

WARNING

**DISCONNECT THE TOASTER FROM ITS ELECTRICAL POWER SUPPLY BEFORE
CLEANING OR SERVICING.**

CAUTION

**Using any parts other than genuine Toastmaster factory parts relieves the
manufacturer of all liability.**

IMPORTANT

**Contact your authorized service agent to perform maintenance and repairs. A service agency
directory is supplied with your oven.**

IMPORTANT

**Toastmaster (manufacturer) reserves the right to change specifications and product design
without notice. Such revisions do not entitle the buyer to corresponding changes, improvements,
additions or replacements for previously purchased equipment.**

RETAIN THIS MANUAL FOR FUTURE REFERENCE

This manual provides detailed information for the installation and operation of your Conveyor Toaster. It also contains information to assist the operator in diagnosing problems in the event of a malfunction. This manual is an important tool for the operator and should be kept readily available.

TABLE OF CONTENTS

SECTION 1

DESCRIPTION	1-1
A. Features	1-1
B. Component Location	1-1
C. Component Function	1-1
D. Toaster Specifications	1-2

SECTION 2

INSTALLATION	2-1
A. Unpacking	2-1
B. Assembly	2-1
C. Electrical Connection	2-2
D. Checking the Installation	2-2

SECTION 3

OPERATION	3-1
A. Location and Function of Controls	3-1
B. Operation Procedure	3-1
C. Shutdown Procedure	3-1
D. Clearing Jams	3-2
E. Daily Cleaning	3-2

SECTION 4

WIRING DIAGRAM	4-1
-----------------------------	------------

SECTION 1 DESCRIPTION

A. FEATURES

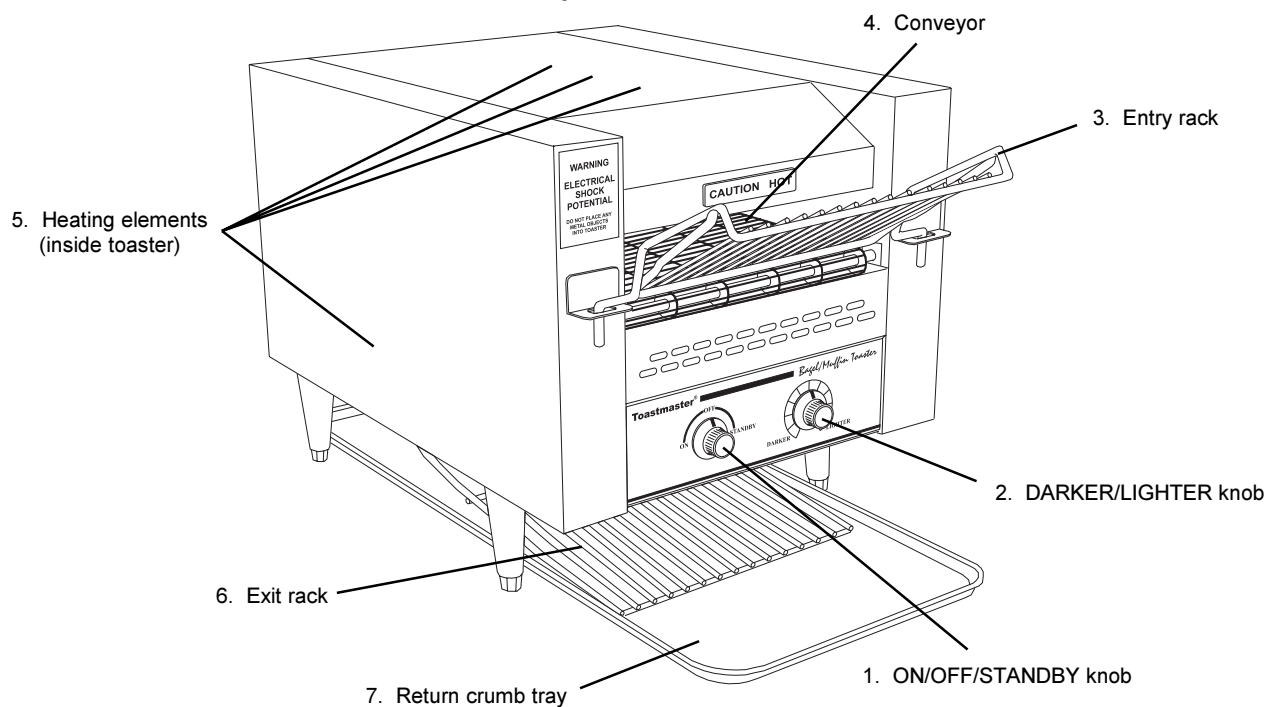
Toastmaster™ Model TB208, TB240, TW208, and TW240 Toasters are:

- Conveyor toasters.
- Equipped with an entry rack used to deliver the food product into the toaster.
- Equipped with an internal slide-out crumb tray
- Equipped with an exit rack and a return crumb tray.
- Equipped with a “Standby” mode that saves energy during slow periods and allows a quick return to normal operation.

B. COMPONENT LOCATION

The major components of the toaster are shown in Figure 1-1 below.

**Figure 1-1
Component location**



C. COMPONENT FUNCTION (see Figure 1-1)

1. ON/OFF/STANDBY knob - see Section 3, **Operation**.
2. DARKER/LIGHTER knob - see Section 3, **Operation**.
3. Entry rack - Loaded with the product to be toasted. The product then slides onto the conveyor. The entry rack can be removed for cleaning.
4. Conveyor - Transports the product through the toaster, and between the top and bottom heating elements. The conveyor is driven by its own motor.
5. Heating elements - Toast the food product. Three elements are located above the conveyor, while one is located below it.
6. Exit rack - Receives the toasted product as it leaves the conveyor, then delivers the product underneath the front of the toaster. The exit rack can be removed for cleaning.
7. Return crumb tray - Collects crumbs from the toasted product. The tray can be removed for cleaning.

SECTION 1 - DESCRIPTION

D. TOASTER SPECIFICATIONS

Overall Dimensions:	TB208	TB240	TW208	TW240
Width		16-1/2" (419mm)		
Depth (includes 2-1/4" / 57mm back guard)		25-1/4" (641mm)		
Height (includes 4" / 102mm legs)		16-1/4" (413mm)		
Toasting Chamber Dimensions:				
Width		11-1/2" (292mm)		
Length		15" (381mm)		
Height of Opening	1-3/4" (44mm)	1-3/4" (44mm)	2-1/2" (64mm)	2-1/2" (64mm)
Toaster Information:				
Approximate Net Weight		75 lbs. (34.0kg)		
Approximate Shipping Weight		80 lbs. (36.3kg)		
Construction		Formed and welded sheet steel		
Finish		Stainless steel		
Pre-Heat Time		20 Minutes		
Delivery Time for First Bagel/Muffin		1 Minute 40 Seconds		
Production Capacity		400 Bagels/Muffins per hour		
Electrical Specifications:				
Operating Voltage	208V	240V	208V	240V
Frequency		50/60Hz		
Phase		1 Ph		
kW Rating	2.7kW	2.9kW	2.7kW	2.9kW
Current Draw	13.1A	12.1A	13.1A	12.1A
Plug Type	NEMA 6-15P (USA) or NEMA 6-20P (Canada)			

SECTION 2 INSTALLATION

A. UNPACKING

IMPORTANT

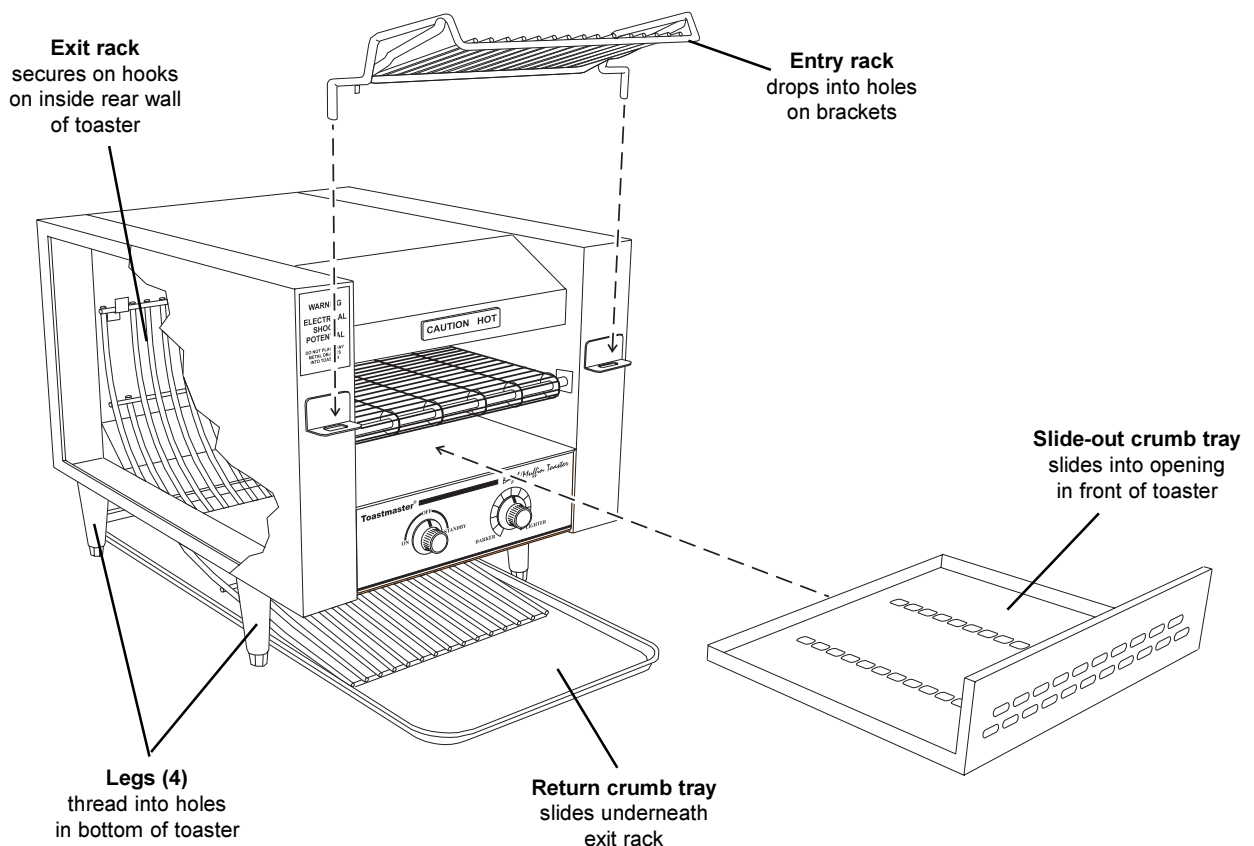
IT IS THE CUSTOMER'S RESPONSIBILITY TO REPORT ANY CONCEALED OR NON-CONCEALED DAMAGE TO THE FREIGHT COMPANY.

1. Remove the staples from the shipping carton.
2. Lift out the foam packaging and poly bag from around the toaster.
3. Carefully lift the toaster out of the carton.
4. Remove all loose materials from the carton, including the information packet.
5. Remove any parts or packaging materials from inside the toasting chamber.
6. Retain all shipping materials until it is certain that the toaster has not suffered concealed shipping damage.

B. ASSEMBLY

1. Thread the 4" (102mm) legs into the four holes on the bottom of the toaster. See Figure 2-1. Then, place the toaster in the desired location.
2. Install the entry rack, exit rack, return crumb tray, and slide-out crumb tray as shown in Figure 2-1.

Figure 2-1 - Assembly



SECTION 2 - INSTALLATION

C. ELECTRICAL CONNECTION

IMPORTANT

THE ELECTRICAL CONNECTION TO THE TOASTER REQUIRES A CIRCUIT BREAKER/FUSED DISCONNECT. ELECTRICAL SPECIFICATIONS ARE LISTED ON THE SERIAL PLATE (SHOWN IN FIGURE 2-2), AND IN THE TOASTER SPECIFICATIONS TABLE (PAGE 1-2).

CONSULT ALL APPLICABLE NATIONAL AND LOCAL CODES FOR FURTHER ELECTRICAL CONNECTION REQUIREMENTS.

1. Before proceeding with the electrical connections, check the following:
 - a. Check that the supply wire size is adequate.
 - b. Check that the circuit breaker/fused disconnect is present, and of the correct rating.
 - c. Check that the appropriate receptacle is available for the power cord plug.

If necessary, refer to the toaster's serial plate (Figure 2-2) and to the Toaster Specifications table (Page 1-2).



WARNING

ENSURE THAT BOTH THE CIRCUIT BREAKER/FUSED DISCONNECT AND THE ON/OFF/STANDBY KNOB ARE IN THE "OFF" POSITION BEFORE PROCEEDING.



WARNING

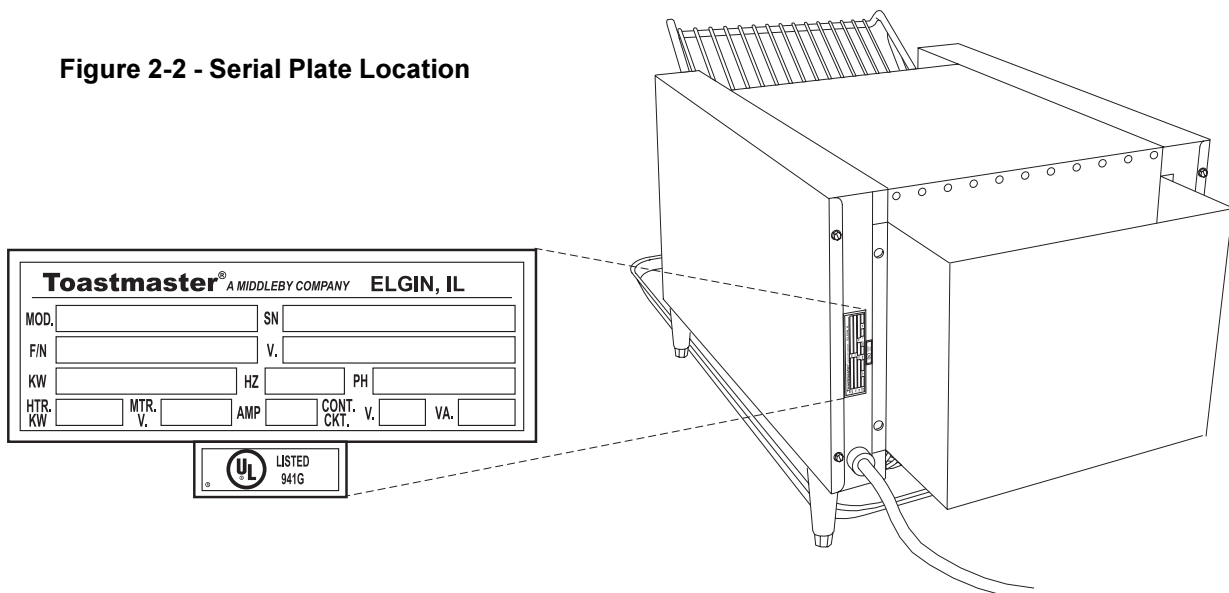
ENSURE THAT ANY PACKING MATERIAL RESIDUE HAS BEEN REMOVED FROM INSIDE THE TOASTING CHAMBER.

2. Insert the power cord plug into its receptacle.

D. CHECKING THE INSTALLATION

1. Restore power to the toaster at the circuit breaker/fused disconnect.
2. Switch the ON/OFF/STANDBY knob to the "ON" position.
3. Check that the conveyor is moving forward into the toaster.
4. Check that all heating elements are heating and glowing red.
5. Switch the ON/OFF/STANDBY knob to the "OFF" position.
6. Visually check that the heating elements are no longer on, and that the conveyor has stopped moving.

Figure 2-2 - Serial Plate Location



SECTION 3 OPERATION

A. LOCATION AND FUNCTION OF CONTROLS

This section provides a basic description of the toaster controls, their location, and the functions they perform. The operator **MUST** be familiar with the controls. See Figure 3-1.

1. *ON/OFF/STANDBY Knob*
 - When set to "ON", switches the heating elements and conveyor on.
 - When set to "OFF", switches the heating elements and conveyor off.
 - When set to "STANDBY", switches the top heating elements off to conserve energy during slow periods. The bottom heating element remains on, allowing quick recovery.
2. *DARKER/LIGHTER Knob*

Adjusts the speed of the conveyor. This controls the amount of toasting that the food product receives.

B. OPERATION PROCEDURE

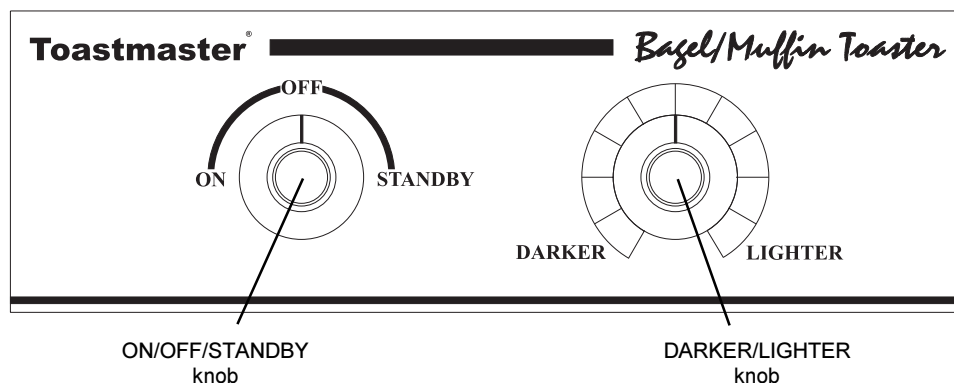
1. Restore electrical power to the toaster at the circuit breaker/fused disconnect.
2. Switch the ON/OFF/STANDBY knob to the "ON" position.

3. Allow the toaster to pre-heat for at least 20 minutes.
4. Adjust the DARKER/LIGHTER knob to the desired setting to provide correctly toasted food products.
5. Load the entry rack with the product to be toasted. The food product will slide off the entry rack and onto the conveyor.
6. During slow periods, switch the ON/OFF/STANDBY knob to the "STANDBY" position. The top heating elements will turn off, saving energy. The bottom heating element remains on to allow quick recovery.
7. To return the toaster to normal operation from STANDBY mode, switch the ON/OFF/STANDBY knob to the "ON" position. Then, allow the toaster to pre-heat. The top heating elements should reach their normal temperature within 5 minutes.

C. SHUTDOWN PROCEDURE

1. Switch the ON/OFF/STANDBY knob to the "OFF" position.
2. Disconnect electrical power to the toaster at the circuit breaker/fused disconnect.

Figure 3-1 - Controls



SECTION 3 - OPERATION

D. CLEARING JAMS

**WARNING**

NEVER INSERT YOUR HANDS INTO THE TOASTING CHAMBER TO CLEAR A JAM. SERIOUS INJURY MAY RESULT.

CAUTION

NEVER use a plastic object to clear a jam. If the toaster is not completely cool, damage to the toaster may result.

CAUTION

When clearing a jam, use care to avoid damaging the heating elements.

1. Switch the ON/OFF/STANDBY knob to the "OFF" position.
2. Disconnect electrical power to the toaster at the circuit breaker/fused disconnect.
3. Allow the toaster to cool.
4. Carefully clear the jam using a long object as a probe. This object should preferably be made of wood, which is less likely to damage the heating elements.

E. DAILY CLEANING

**WARNING**

WHEN CLEANING THE TOASTER, NEVER APPLY ENOUGH LIQUID TO STAND IN PLACE ON THE UNIT. DO NOT SPRAY, RINSE, OR SUBMERGE THE TOASTER. EXCESSIVE MOISTURE IN THE UNIT WILL CAUSE A SEVERE ELECTRICAL HAZARD AND MAY OTHERWISE DAMAGE THE TOASTER.

CAUTION

DO NOT clean your toaster using abrasive cleaners or pads. Both will scratch and dull the finish.

1. With the conveyor running, use a brush to clean any crumbs off the conveyor into the slide-out crumb tray.
2. Switch the ON/OFF/STANDBY knob to the "OFF" position.
3. Disconnect electrical power to the toaster at the circuit breaker/fused disconnect.
4. Allow the toaster is cool.

**WARNING**

DO NOT TOUCH HOT SURFACES ON THE TOASTER, OR REACH INTO THE TOASTING CHAMBER, UNTIL THE UNIT HAS COOLED THOROUGHLY.

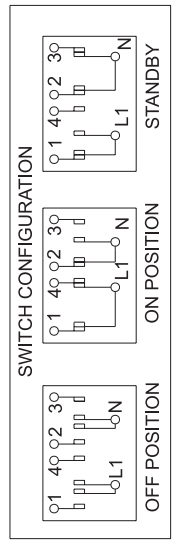
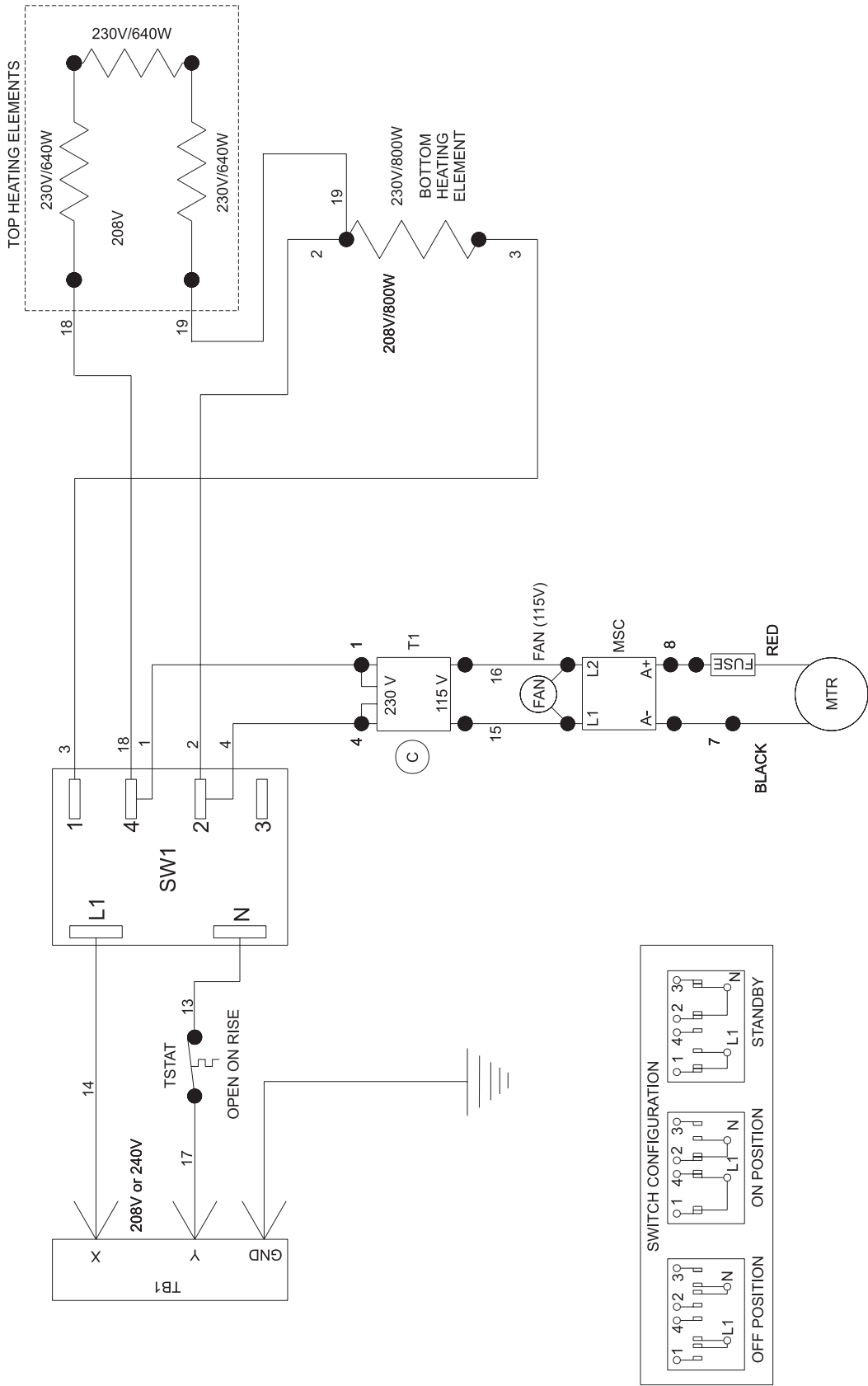
5. Wipe the exterior of the toaster with a sponge or cloth soaked in hot or warm detergent water. Wipe with a clean, damp cloth to remove the excess detergent, and then wipe again to dry the toaster.
6. Remove both the slide-out crumb tray and the return crumb tray from the toaster, and empty them. Wash the crumb trays in warm detergent water, and rinse them.

CAUTION

Never remove the slide-out crumb tray while the conveyor is moving.

7. Remove the entry and exit racks from the toaster. Wash the racks in warm detergent water, and rinse them.
8. Towel the trays and racks dry. Reassemble all parts onto the toaster.

SECTION 4 WIRING DIAGRAM



For more information on the complete line of **Toastmaster** products, contact your Food Service Equipment Dealer, or write to us at the address below.



Toastmaster • 1400 Toastmaster Drive • Elgin, IL 60120 • USA • (847)741-3300 • FAX (847)741-4406
Middleby Corp 24-Hour Service Hotline 1-800-238-8444

www.middleby.com