

OWNER'S MANUAL

Model No. T220

Toastmaster®

2 SLICE TOASTER



IMPORTANT SAFEGUARDS

When using electrical appliances, basic safety precautions should always be followed including the following:

1. Read all instructions.
2. Do not touch hot surfaces. Use handles or knobs.
3. To protect against electrical shock do not immerse cord, plugs, or appliance in water or other liquid.
4. Close supervision is necessary when any appliance is used by or near children.
5. Unplug from outlet when not in use and before cleaning. Allow to cool before putting on or taking off parts.
6. Do not operate any appliance with a damaged cord or plug or after the appliance malfunctions, or has been damaged in any manner. Contact Consumer Service for examination, repair or adjustment.
7. The use of accessory attachments not recommended by the appliance manufacturer may cause injuries.
8. Do not use outdoors.
9. Do not let cord hang over edge of table or counter, or touch hot surfaces.
10. Do not place on or near a hot gas or electric burner, or in a heated oven.
11. To disconnect, press the CANCEL Button, then remove plug from wall outlet.
12. Do not use appliance for other than intended use.
13. Oversize foods, metal foil packages, or utensils must not be inserted in a Toaster as they may involve a risk of fire or electric shock.
14. A fire may occur if toasters are covered or touching flammable material, including curtains, draperies, walls, and the like, when in operation.
15. Do not attempt to dislodge food when toaster is plugged in.

**SAVE THESE INSTRUCTIONS
FOR HOUSEHOLD USE ONLY**

ADDITIONAL IMPORTANT SAFEGUARDS

CAUTION HOT SURFACES: This appliance generates heat and escaping steam during use. Proper precautions must be taken to prevent the risk of burns, fires, or other injury to persons or damage to property.

1. A person who has not read and understood all operating and safety instructions is not qualified to operate this appliance. All users of this appliance must read and understand this Owner's Manual before operating or cleaning this appliance.
2. If this appliance falls or accidentally becomes immersed in water, unplug it from the wall outlet immediately. **Do not reach into the water!**
3. When using this appliance, provide adequate air space above and on all sides for air circulation. Do not operate this appliance while it is touching or near curtains, wall coverings, clothing, dishtowels or other flammable materials.
4. To reduce the risk of fire, do not leave this appliance unattended during use.
5. If this appliance begins to malfunction during use, immediately press the CANCEL Button and unplug the cord. Do not use or attempt to repair a malfunctioning appliance!
6. The cord to this appliance should only be plugged into a 120V AC electrical wall outlet.
7. Do not use this appliance in an unstable position.
8. Use the Toaster on a hard, flat surface. Do not place it near a flame or heat or on a soft surface (such as carpet). Avoid placing it where it may tip over during use. Dropping the Toaster could cause it to malfunction.

WARNING: ELECTRICAL SHOCK HAZARD. Never attempt to dislodge food inside the Toaster while the Toaster is plugged in. Doing so could cause an electrical shock hazard or a risk of fire.

CAUTION: This appliance is hot during operation and retains heat for some time after turning off. Always use oven mitts when handling hot materials and allow metal parts to cool before cleaning. Do not place anything on top of the Toaster while it is operating or while it is hot.

CAUTION:

DO NOT toast pastries with runny fillings or frosting.

DO NOT toast torn slices of bread.

DO NOT place buttered bread or wrapped food into the Toaster.

DO NOT toast small-size breads, mini-baguettes, breadsticks, etc.

POLARIZED PLUG

This appliance has a polarized plug (one blade is wider than the other). To reduce the risk of electric shock, this plug is intended to fit into a polarized outlet only one way. If the plug does not fit fully in the outlet, reverse the plug. If it still does not fit, contact a qualified electrician. Do not attempt to modify the plug in any way.

SHORT CORD INSTRUCTIONS

A short power-supply cord is provided to reduce the risk resulting from becoming entangled in or tripping over a longer cord.

Do not use an extension cord with this product.

PLASTICIZER WARNING

CAUTION: To prevent Plasticizers from migrating to the finish of the counter top or table top or other furniture, place **NON-PLASTIC** coasters or place mats between the appliance and the finish of the counter top or table top.

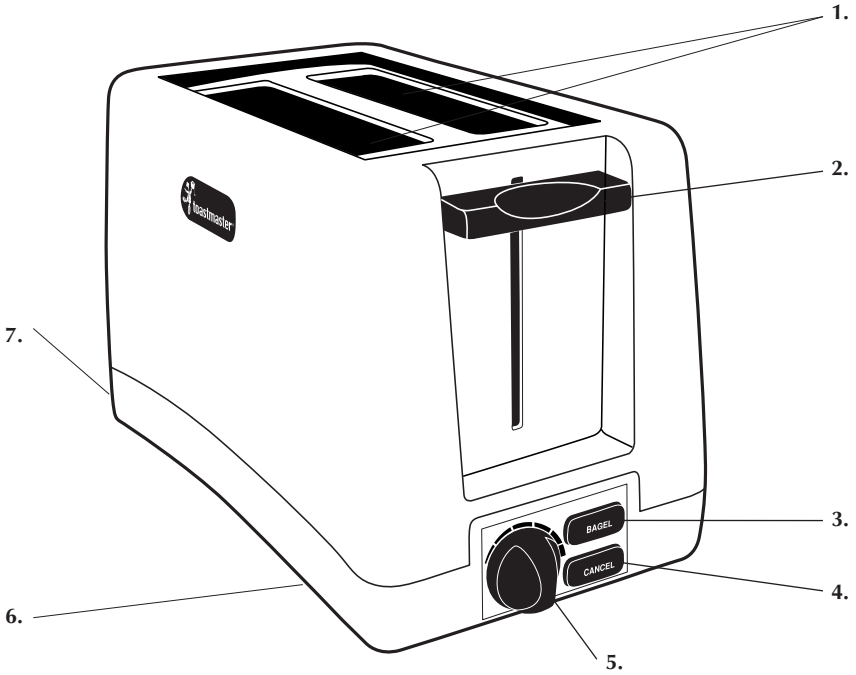
Failure to do so may cause the finish to darken, permanent blemishes may occur or stains can appear.

ELECTRIC POWER

If the electrical circuit is overloaded with other appliances, your appliance may not operate properly. It should be operated on a separate electrical circuit from other appliances.

GETTING TO KNOW YOUR **TOASTMASTER®** 2 SLICE TOASTER

PRODUCT MAY VARY SLIGHTLY FROM ILLUSTRATIONS



1. Toasting Slots

2. Toasting Lever

3. BAGEL Button

4. CANCEL Button

5. Adjustable Browning Control

6. Cord Storage Wrap
(not shown)

7. Crumb Tray (not shown)
(P/N 22808)



BEFORE USING FOR THE FIRST TIME

1. Remove all packaging materials including those which may be inside the Toasting Slots or Toasting Lever slot.
2. Wipe the exterior with a damp cloth. Dry thoroughly. Do not use abrasive cleaners.
3. Do not put the Toaster, cord or plug in water.
4. Be sure the Crumb Tray is pushed all the way into the Toaster and the Toasting Lever is in the UP position.
5. Unwrap power cord from Cord Storage Area on underside of Toaster and plug into a 120V AC outlet.
6. Turn the Adjustable Browning Control to the lightest setting (see Page 5 for reference).
7. Lower the Toasting Lever until it locks in place. Operate without bread once or twice to burn off any manufacturing residue. You may notice a slight amount of smoke; this is normal and will stop as the heating elements continue to heat.

OPERATING INSTRUCTIONS

TOASTING BREAD

1. Be sure no bread or other objects are inside the Toasting Slot. Place Toaster on a flat, level, heat resistant surface and plug the power cord into a 120V AC electrical outlet.
2. Position the Adjustable Browning Control to desired setting. The first time you toast, it is best to use both Toasting Slots; position the Adjustable Browning Control to Medium (mid-way between the lightest and darkest setting); then adjust each subsequent toasting to your preference.
- 3 Remove all protective wrappings from food before placing into the Toasting Slots. Avoid toasting torn bread slices that may get lodged in Toasting Slot.
4. Insert the bread into the Toasting Slots. Lower the Toasting Lever until it locks into place. The Centering Guides will automatically center the bread for even toasting. When the bread is lowered into position, it will automatically begin to toast.

NOTE: The Toasting Lever will not lock into position unless the Toaster is plugged in!

NOTE: When toasting a single slice, the bread may be placed in either Toasting Slot.

NOTE: To prevent a fire hazard, never place bread over the opening of the Toaster, but always place it into the Slots.

NOTE: DO NOT change the Adjustable Browning Control selection during the toasting cycle. First press the CANCEL Button; then turn the Browning Control to adjust the browning level. Replace bread and toast until the desired toast color is achieved.

5. When the toast reaches the selected browning level, it will pop up automatically.
6. Remove bread from Toasting Slots. Use care when removing bread as the bread and Toaster will still be hot.
7. Unplug cord from wall outlet when not in use.

IMPORTANT: Never use a fork or sharp-edged utensil to remove toast, because that may damage the heating element or cause injury.

CANCEL BUTTON

To stop or interrupt any Toasting cycle, press the CANCEL Button, located on the side of the Toaster. The bread will automatically rise and the Toaster will turn off.

TOASTING BAGELS AND ENGLISH MUFFINS

1. Plug power cord into a 120V AC electrical outlet.
2. Position the Adjustable Browning Control to the color desired. For the first use, position the Adjustable Browning Control to Medium (mid-way between the lightest and darkest setting).
3. Slice bagel or English muffin in half; place one half in each Toasting Slot with the cut sides facing the center of the Toaster.

NOTE: Use either Toasting Slot when toasting only half a bagel or English muffin. Use slices that fit freely into Toasting Slots. The Automatic Centering Guides hold food upright for uniform side-to-side toasting.

4. Push down to lower the Toasting Lever.
5. As soon as the Toasting Lever is lowered and locked into position, press the BAGEL Button. This changes the Toaster to gently heat the inside of each bagel while toasting the cut side of the bagel. The BAGEL setting works great for English muffins, too!
6. When the bagel or muffin is done, the Toasting Lever will pop up. The Toaster will shut off automatically.
7. To interrupt toasting, press the CANCEL Button.

CONVENIENCE FOOD TOASTING

Extra wide Toasting Slots accommodate many varieties of packaged convenience food available today, both frozen and non-frozen (shelf pastry). Since toaster foods and individual tastes vary, it is difficult to recommend exact Browning Control settings. However, after a little experimentation you will discover the best setting for your needs. You may also wish to refer to the heating instructions on food packaging.

PASTRY

For best results, follow the instructions printed on the pastry package. If the package does not have instructions, position the Adjustable Browning Control to Medium (mid-way between the lightest and darkest setting). Some pastries may require a second toasting cycle.

NOTE: Do not use this Toaster for toasting pastry items with runny-type frosting or open fillings.

NON-FROZEN SHELF PASTRY

Move the Adjustable Browning Control to a lighter setting. For thicker convenience foods, it may be necessary to turn the Adjustable Browning Control clockwise for a longer toasting cycle.

AUTOMATIC CENTERING GUIDES

Lowering the Toasting Lever closes the Centering Guides, and holds the bread or toaster food centrally in the Toasting Slots.

NOTE: The Toasting Lever will not lock down unless the Toaster is plugged into an electrical outlet.

REMOVING LODGED FOODS

If a piece of bread or any other toaster food becomes lodged in either of the Toasting Slots, unplug the Toaster and allow it to cool. Hold the Toasting Lever down. Turn the Toaster upside down and shake the food loose.

IMPORTANT: Never use a fork or sharp-edged utensil to remove toast, because that may damage the heating element or cause injury.

IMPORTANT POINTS

- Remove all protective wrappings from food before placing in the Toasting Slot.
- For best results, clean the Crumb Tray frequently.
- Different breads require different color settings. Raise Toasting Lever manually or press the CANCEL Button at any time to check toast color.
- Do not block top opening. Do not place any object over the top opening.
- Do not toast buttered bread or buttered pita bread. Melted butter will cause fire.
- When toasting more than one slice of bread, use slices of similar size, thickness and freshness.
- Stale bread, thin bread or sweet bread products, such as tea cakes and fruit loaf, brown much more quickly than ordinary bread, so they should be toasted on the lighter settings.
- Never immerse Toaster, cord or plug in water or other liquid.
- **Never use a fork or sharp-edged utensil to remove toast, because that may damage the heating element or cause injury.**

USER MAINTENANCE INSTRUCTIONS

This appliance requires little maintenance. It contains no user serviceable parts. Do not try to repair it yourself. Any servicing that requires disassembly must be performed by a qualified appliance repair technician.

CLEANING

CAUTION: Do not immerse Toaster, cord, or plug in water or any other liquid.

CAUTION: Be sure the Toaster is unplugged before cleaning.

CRUMB TRAY: Remove the Crumb Tray at bottom of the Toaster. Pull the Crumb Tray away from the bottom of the Toaster, and allow the crumbs to fall out.

We suggest that you do this over a sink or over a garbage can.

Wipe the Crumb Tray with a clean, damp cloth. Replace the Crumb Tray, making sure to push firmly so that it is fully inserted in the bottom of the Toaster.

EXTERIOR: Wipe the Toaster exterior with a clean, damp cloth. Do not use abrasive cleaners. Do not put cord, or plug in water or liquid.

STORAGE

Unplug unit, allow to cool, and clean before storing.

Store Toaster in its box in a clean, dry place.

Never store Toaster while it is hot or still plugged in.

Never wrap cord tightly around the appliance, use the Cord Storage area on the bottom of the Toaster.

Do not put any stress on the cord where it enters the unit, as it could cause the cord to fray and break.

LIMITED ONE-YEAR WARRANTY

Warranty Coverage: This product is warranted to be free from defects in materials or workmanship for a period of one (1) year from the original purchase date. This product warranty is extended only to the original consumer purchaser of the product and is not transferable. For a period of one (1) year from the date of original purchase of the product, our Repair Center will, at its option, either (1) repair the product or (2) replace the product with a reconditioned comparable model. These remedies are the purchaser's exclusive remedies under this warranty.

Warranty Service: To obtain warranty service, you must call our warranty service number at 1-800-947-3744 for return instructions on how to deliver the product, in either the original packaging or packaging affording an equal degree of protection to the Repair Center specified below. You must enclose a copy of your sales receipt or other proof of purchase to demonstrate eligibility for warranty coverage.

To return the appliance, ship to:

ATTN: Repair Center
708 South Missouri Street
Macon, MO 63552 USA

To contact us, please write to, call, or email:

Consumer Relations Department
PO Box 7366
Columbia, MO 65205-7366 USA
1-800-233-9054
E-mail: consumer_relations@toastmaster.com

What Is Not Covered: This warranty does not cover damage resulting from misuse, accident, commercial use, improper service or any other damage caused by anything other than defects in material or workmanship during ordinary consumer use. This warranty is invalid if the serial number has been altered or removed from the product. This warranty is valid only in the United States and Canada.

LIMITATION ON DAMAGES: THERE SHALL BE NO LIABILITY FOR ANY INCIDENTAL OR CONSEQUENTIAL DAMAGES FOR BREACH OF ANY EXPRESS OR IMPLIED WARRANTY OR CONDITION ON THIS PRODUCT.

DURATION OF IMPLIED WARRANTIES: EXCEPT TO THE EXTENT PROHIBITED BY APPLICABLE LAW, ALL IMPLIED WARRANTIES AND CONDITIONS, INCLUDING, WITHOUT LIMITATION, IMPLIED WARRANTIES AND CONDITIONS OF MERCHANTABILITY AND FITNESS FOR A PARTICULAR PURPOSE OR USE ON THIS PRODUCT ARE LIMITED IN DURATION TO THE DURATION OF THIS WARRANTY.

Some jurisdictions do not allow the exclusion or limitation of incidental or consequential damages, or allow limitations on how long an implied warranty lasts, so the above limitations or exclusions may not apply to you. This warranty gives you specific legal rights and you may have other rights under the laws of your jurisdiction.

For more information on our products, visit our website: www.maxim-toastmaster.com.

