

# Cool-Touch Toaster

USE AND CARE GUIDE

MODELS T2030W, T2030B, T2030WCAN, T2030LP



 toastmaster®

# READ AND SAVE THESE INSTRUCTIONS

**WARNING:** A risk of fire and electrical shock exists in all electrical appliances and may cause personal injury or death. Please follow all safety instructions.

## IMPORTANT SAFEGUARDS

When using electrical appliances, basic safety precautions should always be followed, including the following:

- ◆ Read all instructions before using toaster.
- ◆ Do not touch hot surfaces. Use handles or knobs.
- ◆ To protect against electrical shock, do not immerse cord, plug, or toaster in water or other liquid. See instructions for cleaning.
- ◆ This appliance is not for use by children.
- ◆ Close supervision is necessary when this appliance is used near children.
- ◆ Unplug from outlet when not in use. Unplug and allow to cool before cleaning.
- ◆ Do not operate any damaged appliance. Do not operate with a damaged cord or plug, or after the appliance malfunctions, or has been dropped or damaged in any manner. Contact Consumer Service for return authorization, examination, repair or adjustment.
- ◆ The use of accessory attachments not recommended by Toastmaster Inc. may cause injuries.
- ◆ Do not use outdoors or while standing in a damp area.
- ◆ Do not let cord hang over edge of table or counter, or touch hot surfaces.
- ◆ Do not place on or near a hot gas or electric burner, or in a heated oven.
- ◆ Do not use toaster unattended.
- ◆ Oversized foods, metal foil packages, or metal utensils must not be inserted in this toaster as they may involve a risk of fire or electric shock. Remove all protective wrappings prior to placing in toaster.
- ◆ Avoid using items with “runny” frostings, fillings, icings or cheese. This includes pre-buttered foods.
- ◆ Use toaster in an open area with 4-6 inches air space above and on all sides for air circulation. A fire may occur if toaster is covered or touching flammable material, including curtains, draperies, towels, walls and toaster covers, etc, while in operation.

- ◆ Do not defrost or toast convenience foods under any cabinet or overhang.
- ◆ Do not force food into bread slots.
- ◆ Do not attempt to dislodge food when toaster is plugged into an outlet. Should it be necessary to dislodge food, unplug the toaster and use only a wooden utensil.
- ◆ Do not clean with metal scouring pads. Pieces can break off the pad and touch electrical parts, creating a risk of electric shock.
- ◆ Keep crumb tray clean. See instructions for cleaning.
- ◆ Do not use appliance for other than intended use.

## SAVE THESE INSTRUCTIONS

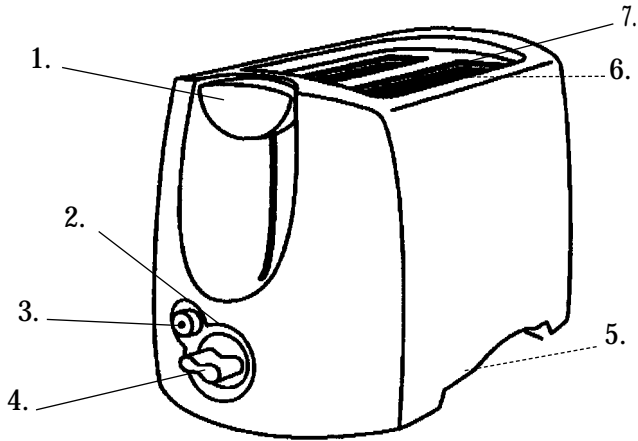
**CAUTION:** A short power supply cord is provided to reduce the risk of personal injury resulting from becoming entangled in or tripping over a longer cord. Extension cords are available from local hardware stores and may be used if care is exercised in their use. If an extension cord is required, special care and caution is necessary. Also the cord must be: (1) marked with an electrical rating of 125 V and at least 10 A and (2) the cord must be arranged so that it will not drape over the countertop or tabletop where it can be pulled on by children or tripped over accidentally.

**POLARIZED PLUG:** This appliance has a polarized plug, (one blade is wider than the other). As a safety feature to reduce the risk of electrical shock, this plug is intended to fit in a polarized outlet only one way. If the plug does not fit fully in the outlet, reverse the plug. If it still does not fit, contact a qualified electrician. Do not attempt to defeat this safety feature.

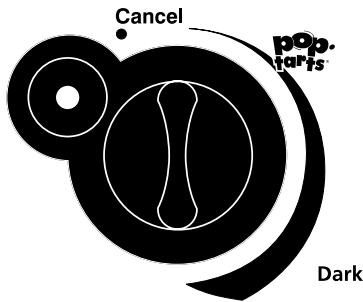
**ELECTRIC POWER:** If the electric circuit is overloaded with other appliances, your toaster may not operate properly. It should be operated on a separate electrical circuit from other appliances.

This product is for household use only.

Breads vary in density and moisture content, requiring different settings. The best toast is made with bread a day or two old.



- |                                  |                                      |
|----------------------------------|--------------------------------------|
| 1. Toast Lever with Auto Hi-Lift | 5. Slide-Out Crumb Tray (P/N 21622B) |
| 2. Cancel Toasting Position      | 6. Self-Adjusting Bread Guides       |
| 3. LED Power Light               | 7. Bread Slots                       |
| 4. Toast Color Control           |                                      |



## Toasting Instructions

1. Plug cord into any 120 V ~ 60 Hz outlet. The unit may emit an odor and/or smoke during first few uses from oils used in manufacturing. This is normal for a new appliance.
2. Set Toast Color Control to the color of toast desired. For first use, set Control to middle of toast color “curve”. The narrow end of curve indicates light setting; the widest end of curve indicates dark setting. Toast thin breads on the lighter toast color settings.
3. Insert bread or toaster food into Bread Slots and push down Toast Lever. The LED Power Light will go on.

**NOTE:** Use any Bread Slot when toasting single slice or portion. Use bread slices that fit freely into slots. The Self-Adjusting Bread Guides hold food upright for uniform side to side toasting.

4. When toast is done, the Toast Lever with Auto Hi-Lift will pop up and the power will shut off automatically. The LED Power Light will go off.
5. To interrupt toasting, turn Toast Color Control counter-clockwise to the Cancel Toasting Position.

## Convenience Foods Toasting

Today there are many varieties of packaged convenience foods available, both frozen and non-frozen (shelf pastry), that can be toasted in your toaster.

Since toaster foods and individual tastes vary, it is difficult to recommend exact Toast Color Control settings, however, after a little experimentation you will discover the best setting for your needs. You may also wish to refer to the heating instructions on food packaging.

## Non-Frozen Shelf Pastry

Move Toast Color Control to the Pop Tarts® Toaster Pastry setting. For thicker convenience foods, it may be necessary to adjust control clockwise for a longer toasting cycle.

## Frozen Foods

Move the Toast Color Control to a darker color setting. Due to variations in size and density, frozen items will require different settings. Moving the control clockwise will provide a longer toasting cycle. Thawing frozen foods before toasting will help ensure that the inside of the food is heated and will prevent the outside from burning. Again, experimentation is the best way to accommodate individual tastes and food choices.

# User Maintenance Instructions

This appliance requires little maintenance. It contains no user serviceable parts. Do not try to repair it yourself. Refer it to a qualified appliance repair technician if servicing is needed.

## Cleaning Instructions

**CAUTION: Do not immerse in water or other liquid.**

1. Unplug toaster and allow to cool.
2. Wipe outside with soft, damp cloth. Polish with soft, dry cloth.
3. Remove Slide-Out Crumb Tray using recessed handle in rear of toaster. Shake out crumbs over sink. Wash in top rack of dishwasher, or by hand with warm, sudsy water, then rinse and dry. Slide crumb tray back into position.

## LIMITED ONE YEAR WARRANTY

**Warranty:** This Toastmaster® product is warranted to be free from defects in materials or workmanship for a period of (1) year from the original purchase date. This product warranty covers only the original consumer purchaser of the product.

**Warranty Coverage:** This warranty is void if the product has been damaged by accident in shipment, unreasonable use, misuse, neglect, improper service, commercial use, repairs by unauthorized personnel, normal wear and tear, improper assembly, installation or maintenance abuse or other causes not arising out of defects in materials or workmanship. This warranty is effective only if the product is purchased and operated in the USA, and does not extend to any units which have been used in violation of written instructions furnished with the product or to units which have been altered or modified or to damage to products or parts thereof which have had the serial number removed, altered, defaced or rendered illegible.

**Implied Warranties:** ANY IMPLIED WARRANTIES WHICH THE PURCHASER MAY HAVE ARE LIMITED IN DURATION TO ONE (1) YEAR FROM THE DATE OF PURCHASE. Some states do not allow limitations on how long an implied warranty lasts, so the above limitation may not apply to you.

**Warranty Performance:** During the above one-year warranty period, a product with a defect will be either repaired or replaced with a reconditioned comparable model (at our option) when the product is returned to the Repair Center, or the purchase price refunded. The repaired or replacement product will be in warranty for the balance of the one-year warranty period and an additional one-month period. No charge will be made for such repair or replacement.

**Service and Repair:** Should the appliance malfunction, you should first call toll-free 1 (800) 947-3744 between the hours of 9:00 am and 5:00 pm Central Standard Time and ask for CONSUMER SERVICE stating that you are a consumer with a problem. Please refer to model number T2030W when you call.

**In-Warranty Service (USA):** For an appliance covered under the warranty period, no charge is made for service or postage. Call for return authorization (1 800 947-3744).

**Out-of Warranty Service:** A flat rate charge by model is made for out-of-warranty service. Include \$ 6.00 (U.S.) for return shipping and handling. We will notify you by mail of the amount of the charge for service and require you to pay in advance for the repair or replacement.

**For Products Purchased in the USA, but Used in Canada:** You may return the product insured, packaged with sufficient protection, and postage and insurance prepaid to the USA address listed below. Please note that all customs duty / brokerage fees, if any, must be paid by you and we will require you to pay the cost of customs duty / brokerage fees to us in advance of our performing any service.

**Risk During Shipment:** We cannot assume responsibility for loss or damage during incoming shipment. For your protection, carefully package the product for shipment and insure it with the carrier. Be sure to enclose the following items with your appliance: any accessories related to your problem, your full return address and daytime phone number, a note describing the problem you experienced, a copy of your sales receipt or other proof of purchase to determine warranty status. C.O.D. shipments cannot be accepted.

**To return the appliance, ship to:**

Attn: Repair Center  
Toastmaster Inc.  
708 South Missouri Street  
Macon, MO 63552  
Email: consumer\_relatlions@toastmaster.com  
www.toastmaster.com

**To contact us, please write to or call:**

Toastmaster Inc.  
P.O. Box 6916  
Columbia, MO 65205-6916  
1 (800) 947-3744

**Limitation of Remedies:** No representative or person is authorized to assume for us any other liability in connection with the sale of our products. There shall be no claims for defects or failure of performance or product failure under any theory of tort, contract or commercial law including, but not limited to negligence, gross negligence, strict liability, breach of warranty and breach of contract. Repair, replacement or refund shall be the sole remedy of the purchaser under this warranty, and in no event shall we be liable for any incidental or consequential damages, losses or expenses. Some states do not allow the exclusion or limitation of incidental or consequential damages, so the above limitation or exclusion may not apply to you.

**Legal Rights:** This warranty gives you specific legal rights, and you may also have other rights which vary from state to state.

## Keep Dated Sales Receipts for Warranty Service.

Keep this booklet. Record the following for reference:

Date purchased \_\_\_\_\_

Model number \_\_\_\_\_

Date code (stamped on bottom) \_\_\_\_\_

**EVERYBODY EATS. It's a fact of life.**

**But sometimes preparing  
meals can become a chore.**

**That's why TOASTMASTER has been invited  
into millions of kitchens just like yours  
so we can HELP YOU MASTER your  
mixing, baking, grilling, toasting,  
brewing, heating and serving  
tasks WITH EASE AND STYLE.**

**The TOASTMASTER name stands for a  
CELEBRATION of INNOVATION designed  
to serve your life and keep you  
COOKIN' IN STYLE.**





toastmaster®

- Soft touch controls
- LED power light
- Slide-out crumb tray
- Widest, longest, deepest slots available
- Compensating electronic timer
- Auto adjustable slot width; auto hi-lift



## Questions

Call toll free 1-800-947-3744

Monday – Friday, 8:00 a.m. - 5:30 p.m. CST

[www.toastmaster.com](http://www.toastmaster.com)

T2030W, T2030B, T2030WCAN, T2030LP