



Solid-State, 4 Slot, Pop-Up Toasters HT4 Combo or BTW Bagel/Bun

HT409, HTC409, HT424, BTW09, BTW24

Models shown may ship UPS



HT409



BTW09

Application:

Commercial electronic pop-up food toasters are designed to uniformly toast bread, frozen waffles, bagels, buns and many other foods consistently.

General Information:

Commercial four slot pop-up type toaster. Each toasting chamber is equipped with oven guide wires, and lowering rack.

Overall dimensions are:
11-7/16" (291mm) Wide x
13" (330mm) Long x
9-3/16" (233mm) High

HT409, HT424, HTC409

Commercial four slot pop-up type bread toaster has four toasting slots in the top.

Two slots are standard:
1-1/8" (28.6mm) Wide x
5-1/4" (133mm) Long
And Two slots are
extra-wide one sided slots:
1-5/8" (41.3mm) Wide x
5-1/4" (133mm) Long

Each toasting chamber is equipped with oven guide wires, and lowering rack.

BTW09, BTW24

Commercial four slot pop-up type bread toaster has four toasting slots in the top. Each slot is extra wide: 1-5/8" (41.3mm) Wide x 5-1/4" (133mm) Long
Each toasting chamber is equipped with oven guide wires, and lowering rack. **Each chamber of the BTW is one-sided toasting only.**

Heating:

Insulated ceramic etched foil heaters are installed on both sides of each toasting chamber.

Electrical:

Toasters are equipped with a two pole microswitch for each pair of slots that energizes the elements when the respective operating lever is depressed. All wiring connects in a junction box at the rear. All electronic toasters are furnished with factory installed 36" cord and NEMA plug, and operate on 1 phase only. See additional specifications on back for exact NEMA plug and electrical requirements.

Model HT4 and BTW Series Toasters Feature:

- Solid state timer control(s)
- Electrical heating elements that provide uniform heat and even toasting
- Operating lever and color selection knob
- Removable crumb tray

Construction:

Construction is of formed and welded sheet steel. Finish is brushed stainless steel. A front pullout crumb tray is provided for easy cleaning.

Controls:

Each two-slot section is controlled by a lever operated mechanism, it is equipped with color selector knob coupled with solid state controls having temperature and voltage compensators. When operating lever is depressed, bread racks are lowered, and elements are energized simultaneously. At the end of the toasting cycle, elements are de-energized, and bread racks are automatically raised by a coil spring.

Capacity:

The HT409, HTC409 and HT424 can toast 150 slices of bread and 150 bagel halves or 120 English muffin halves per hour. The HT424 in 240V toasts 190 slices of bread and the same capacity of bagels and muffins per hour. The BTW09 and BTW24 can toast approximately 250 bagel halves or 200 English muffins per hour.

Warranty:

Warranted for one year covering parts and labor. Call factory for warranty authorization.



4 Slot, Pop-Up Toasters - Models: HT409 Combo or BTW Bagel/Bun

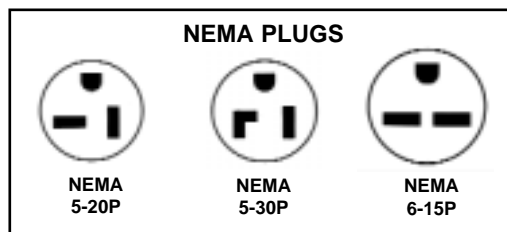
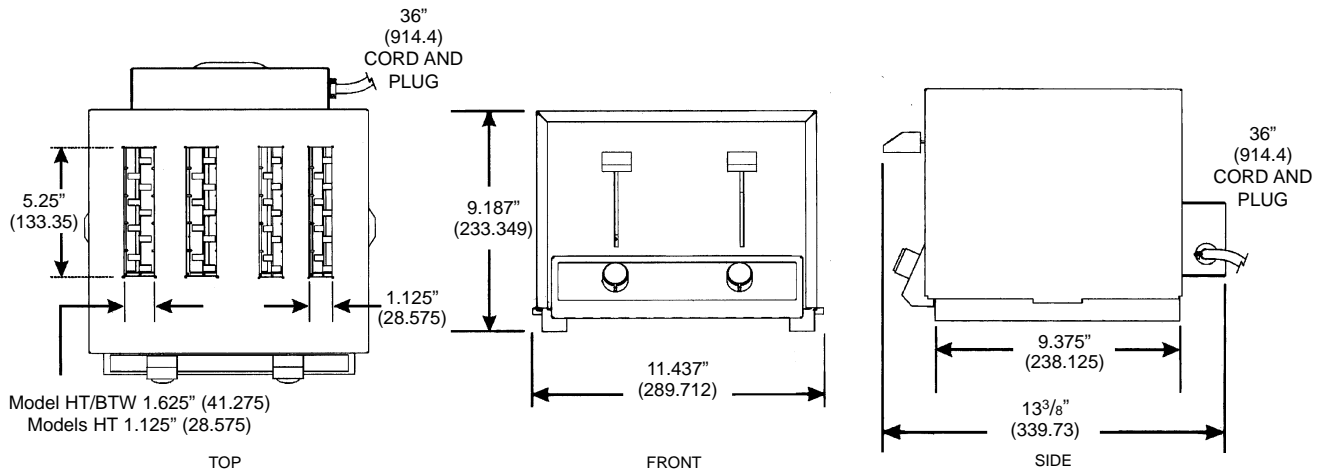
Solid-State, 4 Slot, Pop-Up Toasters

HT4 Combo or BTW Bagel/Bun

HT409, HTC409, HT424, BTW09, BTW24

Models shown may ship UPS

4 Slot, Pop-Up Toasters - Models: HT409 Combo or BTW Bagel/Bun



Model Number	HT409	HTC409	HT424
Slots	4	4	4
Slices per Hour	150/150	150/150	150/190
Supply (1 phase)	120 V	120 V	208/240 V
Current Draw	16.6 A	16.6 A	8.0/9.2 A
Rated Heat Input	2.0 KW	2.0 KW	1.7/2.2 KW
Factory Installed Cord & Plug	NEMA 5-20P	NEMA 5-30P	NEMA 6-15P
Slot Width	1-1/8"/1-5/8"	1-1/8"/1-5/8"	1-1/8"/1-5/8"
Slot Depth	5-1/4"	5-1/4"	5-1/4"
Width	11-7/16"	11-7/16"	11-7/16"
Depth	13-3/8"	13-3/8"	13-3/8"
Height	9-3/16"	9-3/16"	9-3/16"
Ship Weight	21 lbs.	21 lbs.	21 lbs.

Model Number	BTW09	BTW24
Slots	4	4
Slices per Hour	250	250
Supply (1 phase)	120 V	208/240 V
Current Draw	15.0 A	7.7/7.5 A
Rated Heat Input	1.8 KW	1.6/1.8 KW
Factory Installed Cord & Plug	NEMA 5-20P	NEMA 6-15P
Slot Width	1-5/8"	1-5/8"
Slot Depth	5-1/4"	5-1/4"
Width	11-7/16"	11-7/16"
Depth	13-3/8"	13-3/8"
Height	9-3/16"	9-3/16"
Ship Weight	21 lbs.	21 lbs.

INTENDED FOR COMMERCIAL USE ONLY. NOT FOR HOUSEHOLD USE.



Toastmaster, in line with its policy to continually improve its product, reserves the right to change materials or specifications without notice. Such revisions do not entitle the buyer to corresponding changes, improvements, additions, or replacements for previously purchased equipment.

