

OWNER'S MANUAL

Model No. TMHP4

Toastmaster®

HOT POT



IMPORTANT SAFEGUARDS

When using electrical appliances, basic safety precautions should always be followed, including the following:

1. Read all instructions.
2. Do not touch hot surfaces. Use handles or knobs.
3. To protect against fire, electric shock and injury to persons do not immerse cord, plugs, or appliance in water or other liquid.
4. Close supervision is necessary when any appliance is used by or near children.
5. Unplug from outlet when not in use and before cleaning. Allow to cool before putting on or taking off parts, and before cleaning the appliance.
6. Do not operate any appliance with a damaged cord or plug or after the appliance malfunctions, or has been damaged in any manner. Contact Consumer Service for examination, repair or adjustment.
7. The use of accessory attachments not recommended by the appliance manufacturer may result in fire, electric shock or injury to persons.
8. Do not use outdoors.
9. Do not let cord hang over edge of table or counter, or touch hot surfaces.
10. Do not place on or near a hot gas or electric burner, or in a heated oven.
11. To disconnect, press the On/Off Switch to Off, then remove plug from wall outlet.
12. Do not use appliance for other than intended use.
13. Be certain Lid is securely in place before operating appliance.
14. Scalding may occur if the Lid is removed during heating.

SAVE THESE INSTRUCTIONS
FOR HOUSEHOLD USE ONLY

Additional Important Safeguards

WARNING: This appliance generates heat and escaping steam during use. Use proper precautions to prevent the risk of burns, fires, or other injury to persons or damage to property.

1. All users of this appliance must read and understand this Owner's Manual before operating or cleaning this appliance.
2. The cord to this appliance should be plugged into a 120V AC electrical outlet only.
3. **DO NOT** attempt to move an appliance containing hot liquids. Allow appliance to cool completely before moving.
4. Keep appliance at least 4 inches away from walls or other objects during operation. Do not place any objects on top of appliance while it is operating. Place the appliance on a surface that is resistant to heat.
5. If this appliance begins to malfunction during use, immediately unplug the cord. Do not use or attempt to repair the malfunctioning appliance.
6. If this appliance falls or accidentally becomes immersed in water or any other liquid, unplug it immediately. **Do not reach into the water! Do not use this appliance after it has fallen into or has become immersed in water.** Contact Consumer Service for examination and repair.
7. Do not leave this appliance unattended during use.
8. Do not use the Hot Pot to heat oil, or to melt butter.
9. Use the Hot Pot for heating milk, water, or canned/package convenience foods. Do not use it to cook food from raw.
10. The Hot Pot is not suitable for heating solid foods. Use liquids (e.g. milk, soup, etc.), or a mixture of liquids and solids (e.g. chili, stew, etc.).
11. Do not place any container inside the Hot Pot — all foods must be removed from the packaging, container, can, etc. before being put into the Hot Pot.
12. Before serving, or removing contents, unplug cord from electrical outlet.
13. Do not place this appliance in a microwave oven.

Grounded 3-Conductor Plug

This appliance is equipped with a grounded-type 3-wire cord (3-prong plug). This plug will only fit into an electrical outlet made for a 3-prong plug. This is a safety feature. If the plug should fail to fit the outlet, contact an electrician to replace the obsolete outlet. Do not attempt to defeat this safety feature.

Short Cord Instructions

A short power-supply cord is provided to reduce the risk resulting from becoming entangled in or tripping over a longer cord.

Do not use an extension cord with this product.

Electric Power

If the electric circuit is overloaded with other appliances, your appliance may not operate. It should be operated on a separate electrical circuit.

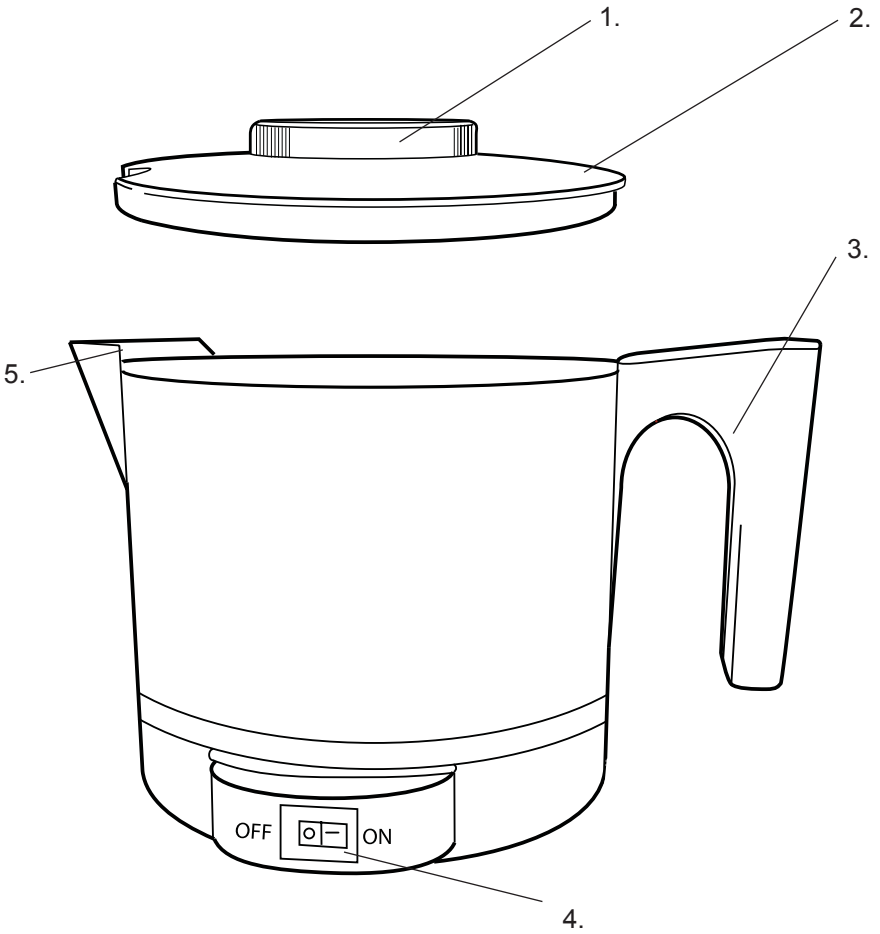
Plasticizer Warning

CAUTION: To prevent Plasticizers from migrating from the finish of the counter top or table top or other furniture, place **NON-PLASTIC** coasters or placemats between the appliance and the finish of the counter top or table top.

Failure to do so may cause the finish to darken, permanent blemishes may occur or stains can appear.

Getting To Know Your Hot Pot

Product may vary slightly from illustrations.



- 1. Lid Knob
- 2. Lid (P/N 31435W)
- 3. Handle

- 4. On/Off Switch
- 5. Pour Spout

Operating Instructions

Before First Use

1. Carefully unpack your Hot Pot and remove all packaging materials.
2. To remove any dust that may have accumulated during packaging, simply wipe the Hot Pot exterior with a clean, damp cloth.
3. Do not use abrasive cleansers.
4. Do not put the Hot Pot, cord, or plug in water.
5. Boil one full Hot Pot of water following the Instructions For Use.
6. Rinse the Hot Pot out with cold water. Wash the Lid in warm, soapy water, rinse, and then dry thoroughly.

Instructions For Use

1. Place Hot Pot on a flat, heat-resistant surface.
2. Fill the Hot Pot with 8 to 32 (1 to 4 cups) of liquid or food.
3. Lower the Lid onto the Hot Pot.
4. Plug cord into a 120 V AC outlet. Press the On/Off Switch to On. The unit may emit an odor and/or smoke during the first few uses from oils used in manufacturing. This is normal for a new appliance.
5. Lift Lid up and away from the Hot Pot. To avoid escaping steam, approach the Hot Pot from behind the Handle. Grasp the Handle with one hand. Grasp the Lid Knob with the other hand. Check to see if food or liquid is boiling.

WARNING: If the Hot Pot has been in use, it may be full of steam, which will escape as soon as the Lid is opened. Keep hands, face, and etc. clear of the area above the Hot Pot. Wear oven mitts when using the Hot Pot.

6. When food or liquid boils, press the On/Off Switch to Off.
7. Unplug from wall outlet.

NOTE: Some sparks may be visible while disconnecting plug from wall outlet. This is normal.

8. Slowly pour water out of the Hot Pot.
9. Lift the front of the Lid and move slightly forward. Then lift the Lid up and away from the Hot Pot.
10. To avoid the risk of splashing, pour slowly and do not over-tilt the Hot Pot.

Cooking Other Foods in Your Hot Pot

WARNING: DO NOT USE THE HOT POT TO HEAT OIL, OR TO MELT BUTTER.

CAUTION: The Hot Pot is not suitable for heating solid foods unless liquids are added.

Add liquids (e.g. water, milk, soup, etc.), or a mixture of liquids and solids (e.g. chili, stew, etc.).

WARNING: Do not place any container inside the Hot Pot — all foods must be removed from the container, can, etc. before being put into the Hot Pot.

WARNING: Do not overfill the Hot Pot. If the Hot Pot is overfilled, there is a risk that boiling liquids may boil over.

1. Remove the Lid. (See Operating Instructions.)
2. Fill the Hot Pot with 8 to 32 ounces, (1 to 4 cups) of liquids or a mixture of liquids and solid food.
3. Press the On/Off Switch to On.

Insufficient Liquid

WARNING: Do not plug in the Hot Pot unless it is filled at least to the MIN mark. Misuse of this kind will shorten the life of the element, it may bake food on to the surfaces of the Hot Pot, and/or splatter the contents of the Hot Pot over the surface of the table or counter.

CAUTION: If the Hot Pot does not contain sufficient liquid, the thermostat will cycle ON and OFF to regulate the temperature, but eventually the food will bake on to the surfaces of the Hot Pot, and may be impossible to remove completely.

1. Unplug, then wait until the Hot Pot has cooled down fully before attempting to remove the contents.
2. The Hot Pot is equipped with a self-resetting thermostat.
3. If the Hot Pot is left without liquid, and left ON for a long time, the thermostat will cycle ON and OFF to regulate the temperature, but the unit will not turn itself OFF. Unplug and let the unit cool completely to allow the thermostat to reset. The Hot Pot will then be ready for reuse.

User Maintenance Instructions

This appliance requires little maintenance. It contains no user serviceable parts. Do not try to repair it yourself. Any servicing requiring disassembly must be performed by a qualified appliance repair technician.

Care and Cleaning

1. Unplug from the electrical outlet and let the Hot Pot cool down completely before cleaning.
2. **DO NOT IMMERSE THE HOT POT IN WATER OR ANY OTHER LIQUID.**
3. Wash the inside of the Hot Pot with warm soapy water. Rinse thoroughly to remove all traces of the soap.
4. Clean the outside of the Hot Pot with a damp cloth.
5. Do not allow water to get inside the base of the Hot Pot.
6. Do not use harsh or abrasive cleaners or solvents.
7. The plastic may discolor with use. This will not affect the performance of the Hot Pot. To clean some of the food residue out of the pot, fill the Hot Pot with 2 cups of cold water, dissolve one tablespoon of cream of tartar into the water, then boil for 6 to 9 minutes. Unplug from the electrical outlet, allow to cool, then empty.

LIMITED ONE YEAR WARRANTY

Warranty Coverage: This product is warranted to be free from defects in materials or workmanship for a period of one (1) year from the original purchase date. This product warranty is extended only to the original consumer purchaser of the product and is not transferable. For a period of one (1) year from the date of original purchase of the product, our Repair Center will, at its option, either (1) repair the product or (2) replace the product with a reconditioned comparable model. These remedies are the purchaser's exclusive remedies under this warranty.

Warranty Service: To obtain warranty service, you must call our warranty service number at 1-800-233-9054 for return instructions on how to deliver the product, in either the original packaging or packaging affording an equal degree of protection to the Repair Center specified below. You must enclose a copy of your sales receipt or other proof of purchase to demonstrate eligibility for warranty coverage.

To return the appliance, ship to:

ATTN: Repair Center
708 South Missouri Street
Macon, MO 63552 USA

To contact us, please write to, call, or email:

Consumer Relations Department
PO Box 7366
Columbia MO 65205-7366 USA
1-800-233-9054
E-mail:
consumer_relations@toastmaster.com

What Is Not Covered: This warranty does not cover damage resulting from misuse, accident, commercial use, improper service or any other damage caused by anything other than defects in material or workmanship during ordinary consumer use. This warranty is invalid if the serial number has been altered or removed from the product. This warranty is valid only in the United States and Canada.

LIMITATION ON DAMAGES: THERE SHALL BE NO LIABILITY FOR ANY INCIDENTAL OR CONSEQUENTIAL DAMAGES FOR BREACH OF ANY EXPRESS OR IMPLIED WARRANTY OR CONDITION ON THIS PRODUCT.

DURATION OF IMPLIED WARRANTIES: EXCEPT TO THE EXTENT PROHIBITED BY APPLICABLE LAW, ALL IMPLIED WARRANTIES AND CONDITIONS, INCLUDING, WITHOUT LIMITATION, IMPLIED WARRANTIES AND CONDITIONS OF MERCHANTABILITY AND FITNESS FOR A PARTICULAR PURPOSE OR USE ON THIS PRODUCT ARE LIMITED IN DURATION TO THE DURATION OF THIS WARRANTY.

Some jurisdictions do not allow the exclusion or limitation of incidental or consequential damages, or allow limitations on how long an implied warranty lasts, so the above limitations or exclusions may not apply to you. This warranty gives you specific legal rights and you may have other rights under the laws of your jurisdiction.

For more information on our products, visit our website: www.maxim-toastmaster.com.

Made in China

02/07