

OWNER'S MANUAL

Model No. TEK17W

Toastmaster®

CORDLESS KETTLE



IMPORTANT SAFEGUARDS

When using electrical appliances, basic safety precautions should always be followed including the following:

1. Read all instructions.
2. Do not touch hot surfaces. Use handles or knobs.
3. To protect against fire, electric shock and injury to persons do not immerse cord, plugs, or appliance in water or other liquid.
4. Close supervision is necessary when any appliance is used by or near children.
5. Unplug from outlet when not in use and before cleaning. Allow to cool before putting on or taking off parts, and before cleaning the appliance.
6. Do not operate any appliance with a damaged cord or plug or after the appliance malfunctions, or has been damaged in any manner. Contact Consumer Service for examination, repair or adjustment.
7. The use of accessory attachments not recommended by the appliance manufacturer may result in fire, electric shock or injury to persons.
8. Do not use outdoors.
9. Do not let cord hang over edge of table or counter, or touch hot surfaces.
10. Do not place on or near a hot gas or electric burner, or in a heated oven.
11. To disconnect, lift the ON/OFF Lever to OFF position, remove plug from wall outlet.
12. Do not use appliance for other than intended use.
13. Be certain Lid is securely in place before operating appliance.
14. Scalding may occur if the lid is opened during the boiling cycle.

SAVE THESE INSTRUCTIONS

For Household Use Only

ADDITIONAL IMPORTANT SAFEGUARDS

WARNING: This appliance generates heat and escaping steam during use. Use proper precautions to prevent the risk of burns, fires, or other injury to persons or damage to property.

1. All users of this appliance must read and understand this Owner's Manual before operating or cleaning this appliance.
2. The cord to this appliance should be plugged into a 120V AC electrical outlet only.
3. Use water only in this appliance! Do not put any other liquids or food products in this appliance. Do not mix or add anything to the water placed in this appliance, except as instructed in the Cleaning Instructions to clean the appliance.
4. To avoid accidental scalding or burns, use extreme caution while moving this appliance when it contains hot water, and while pouring hot water from this appliance.
5. Keep appliance at least 4 inches away from walls or other objects during operation. Do not place any objects on top of appliance while it is operating. Place the appliance on a surface that is resistant to heat.
6. If this appliance begins to malfunction during use, immediately unplug the cord. Do not use or attempt to repair the malfunctioning appliance.
7. If this appliance falls or accidentally becomes immersed in water or any other liquid, unplug it immediately. Do not reach into the water! Do not use this appliance after it has fallen into or has become immersed in water. Contact Consumer Service for examination and repair.
8. Do not leave this appliance unattended during use.
9. Always pour water into Kettle before plugging in and heating up the appliance. Never pour water into heated Kettle.
10. Be sure Kettle is filled with water to at least the "minimum" marking level. Do not operate appliance without water or with an insufficient amount of water. Also, do not fill above the "MAX" water level. If the Kettle is over filled, there is a risk that boiling water may be ejected.
11. Do not block the steam from emitting from the Spout during use.
12. Do not use this appliance if it is cracked or damaged. Contact Consumer Service for examination and repair.
13. Do not place this appliance in a microwave oven.

Polarized Plug

This appliance has a polarized plug (one blade is wider than the other). To reduce the risk of electric shock, this plug is intended to fit into a polarized outlet only one way. If the plug does not fit fully in the outlet, reverse the plug. If it still does not fit, contact a qualified electrician. Do not attempt to modify the plug in any way.

Short Cord Instructions

A short power-supply cord is provided to reduce the risk resulting from becoming entangled in or tripping over a longer cord. Do not use an extension cord with this product.

Electric Power

If the electrical circuit is overloaded with other appliances, your appliance may not operate properly. It should be operated on a separate electrical circuit from other appliances.

Plasticizer Warning

CAUTION: To prevent Plasticizers from migrating from the finish of the countertop or tabletop or other furniture, place **NON-PLASTIC** coasters or placemats between the appliance and the finish of the countertop or tabletop.

Failure to do so may cause the finish to darken, permanent blemishes may occur or stains can appear.

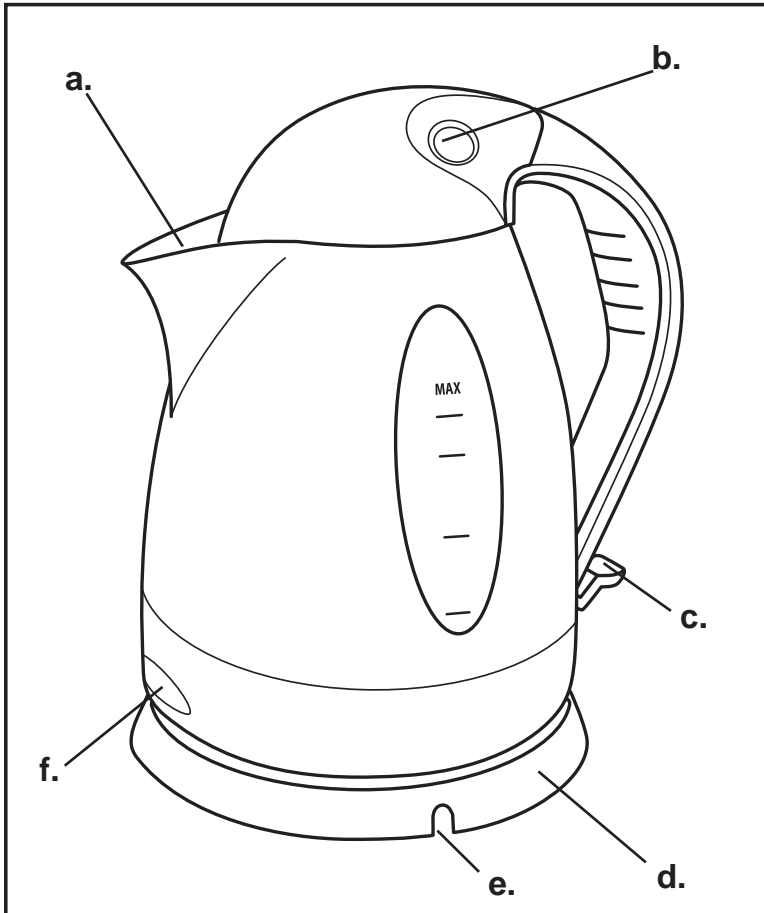
Boil-Dry Protection

A safety thermostat will automatically operate should your Kettle be accidentally plugged in without any water, or if the Kettle is without sufficient water, or if the Kettle is allowed to boil dry. To reset the boil-dry protection device, you must remove the Kettle from the Power Base and allow it to cool before refilling with water.



Getting to Know Your Toastmaster® CORDLESS KETTLE

NOTE: Product may vary slightly from illustration.



- a. Scale Filter (P/N 31036)
- b. Lid Release Buttons
- c. ON/OFF Lever
- d. Power Base (P/N 31035T)
- e. Cord Exit
- f. Indicator Light

GETTING STARTED

Before Using Your Cordless Kettle

Carefully unpack your Kettle and remove all packaging materials. Place your Kettle on a level surface such as a countertop or table.

Thoroughly clean your Kettle before using. Remove Kettle from the Power Base. Fill the Kettle to its maximum capacity (1.7 Liters) with water and boil. See boiling instructions. When the unit shuts off, discard the water. Wait ten minutes to allow the heating element to cool. Rinse the Kettle out with cold water. Repeat this process two more times.

Boiling Instructions

1. Place Power Base on a level surface such as a countertop or table. The Power Base must be dry before use. Unwind the power cord from the cord storage area located beneath the Power Base. Make sure the cord exits through the Cord Exit on the side of the Power Base.

2. Raise the ON/OFF Lever into the OFF position. (See Figure 2).
3. Remove Kettle from the Power Base.
4. Open the Lid by pressing the Lid Release Buttons together and lifting up. (See Figure 3). Fill the Kettle with the desired amount of water, between at least the minimum 0.5 Liters and the maximum 1.7 Liters. Close the Lid and wipe excess water off the Kettle.

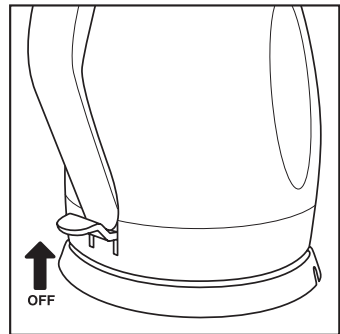


FIGURE 2

NOTE: If the Lid is not properly closed, the Kettle will not automatically shut off.

5. Place the Kettle on the Power Base, engaging the connector into the bottom of the Kettle. Be careful not to spill any water onto the Power Base.

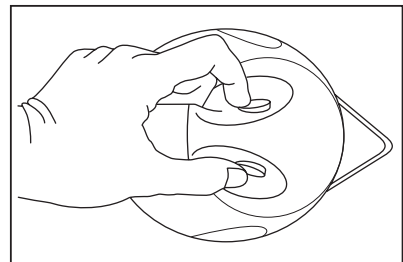


FIGURE 3



Boiling Instructions (Cont.)

6. Plug the Power Base into 120V AC electrical outlet.
7. Press the ON/OFF Lever down, into the ON position, the Indicator Light will come on.
8. When the water comes to a boil the Kettle will automatically shut off and the Indicator Light will turn off.
NOTE: The Kettle can be turned off at any time during the heating process by using the ON/OFF Lever.
9. Remove the Kettle from the Power Base before pouring.
NOTE: Always wait until the Kettle is off before removing it from the Power Base.
10. To reheat water, place Kettle back onto Power Base and press ON/OFF Lever down, into the ON position. Be careful not to spill any water onto the Power Base.
11. Unplug the Power Base when not in use. Allow it to cool before reuse.

Cleaning Your Kettle

CAUTION: Do not immerse Kettle or Power Base in any liquid or place in a dishwasher to be cleaned.

1. Raise the ON/OFF Lever into the OFF position and unplug unit. Allow unit to cool before cleaning.
2. Open the Lid by pressing the Lid Release Buttons together and lifting up (Refer back to Figure 3).
3. Remove the Scale Filter from inside the Kettle by pressing down on tab on the front of the filter inside of spout. (See Figure 4a).

Pull up and out from the Lid Opening. (See Figure 4b). Rinse under running water and use a soft brush if necessary (do not use a metal brush). Replace Scale Filter.

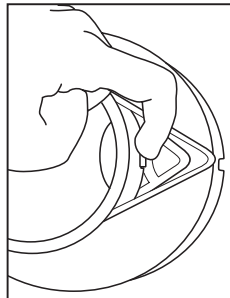


FIGURE 4a

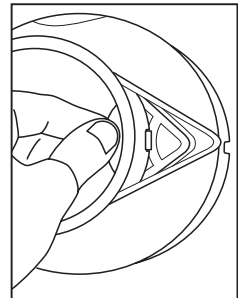


FIGURE 4b

4. Rinse the inside of the Kettle with water, and wipe it with a damp cloth.
NOTE: Do not use highly corrosive or abrasive cleaning agents or brushes.
5. Wipe the Power Base unit with a damp cloth.
6. To remove any discoloration from inside the Kettle, rub baking soda on a damp cloth over the metal. Rinse thoroughly and dry.
NOTE: Mineral deposits can form a coating inside the Kettle and may cause an off flavor in the water or lengthen the boiling time. Use the following cleaning method.
7. In a bowl, mix a diluted solution of one part vinegar to four parts water and pour into Kettle. Do not boil the solution in the Kettle, as it may damage the Kettle.
8. Allow the solution to soak in the Kettle for 30 minutes. Then clean with a soft, non-abrasive brush.
9. Empty out solution. Fill the Kettle with clean water and rinse thoroughly.

Cord Storage

1. Raise the ON/OFF Lever to the OFF position. Unplug from outlet and allow to cool thoroughly.
2. Remove Kettle from Power Base and empty out water, dry thoroughly.
3. Turn Power Base upside down and wrap cord around inside of Power Base.
4. Place Kettle on Power Base for storing.

This appliance requires little maintenance. It contains no user serviceable parts. Do not try to repair it yourself. Any servicing requiring disassembly must be performed by a qualified appliance repair technician.

LIMITED ONE-YEAR WARRANTY

Warranty Coverage: This product is warranted to be free from defects in materials or workmanship for a period of one (1) year from the original purchase date. This product warranty is extended only to the original consumer purchaser of the product and is not transferable. For a period of one (1) year from the date of original purchase of the product, our Repair Center will, at its option, either (1) repair the product or (2) replace the product with a reconditioned comparable model. These remedies are the purchaser's exclusive remedies under this warranty.

Warranty Service: To obtain warranty service, you must call our warranty service number at 1-800-233-9054 for return instructions on how to deliver the product, in either the original packaging or packaging affording an equal degree of protection to the Repair Center specified below. You must enclose a copy of your sales receipt or other proof of purchase to demonstrate eligibility for warranty coverage.

To return the appliance, ship to:

ATTN: Repair Center
708 South Missouri Street
Macon, MO 63552 USA

To contact us, please write to, call, or email:

Consumer Relations Department
PO Box 7366
Columbia, MO 65205-7366 USA
1-800-233-9054
E-mail: consumer_relations@toastmaster.com

What Is Not Covered: This warranty does not cover damage resulting from misuse, accident, commercial use, improper service or any other damage caused by anything other than defects in material or workmanship during ordinary consumer use. This warranty is invalid if the serial number has been altered or removed from the product. This warranty is valid only in the United States and Canada.

LIMITATION ON DAMAGES: THERE SHALL BE NO LIABILITY FOR ANY INCIDENTAL OR CONSEQUENTIAL DAMAGES FOR BREACH OF ANY EXPRESS OR IMPLIED WARRANTY OR CONDITION ON THIS PRODUCT.

DURATION OF IMPLIED WARRANTIES: EXCEPT TO THE EXTENT PROHIBITED BY APPLICABLE LAW, ALL IMPLIED WARRANTIES AND CONDITIONS, INCLUDING, WITHOUT LIMITATION, IMPLIED WARRANTIES AND CONDITIONS OF MERCHANTABILITY AND FITNESS FOR A PARTICULAR PURPOSE OR USE ON THIS PRODUCT ARE LIMITED IN DURATION TO THE DURATION OF THIS WARRANTY.

Some jurisdictions do not allow the exclusion or limitation of incidental or consequential damages, or allow limitations on how long an implied warranty lasts, so the above limitations or exclusions may not apply to you. This warranty gives you specific legal rights and you may have other rights under the laws of your jurisdiction.

For more information on our products, visit our website: www.maxim-toastmaster.com.

Keep Dated Sales Receipts for Warranty Service.

Keep this booklet. Record the following for reference:

Date purchased _____

Model number _____

Date code (stamped on bottom) _____

