



GAS GRIDDLE

Manual Models

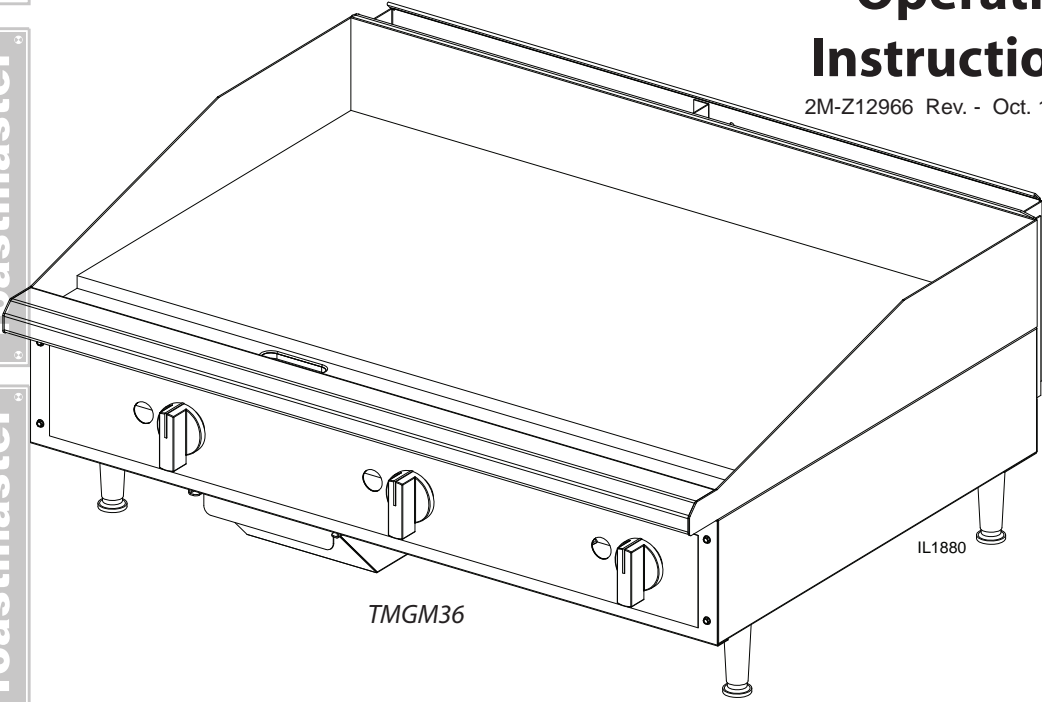
TMGM24, TMGM36, TMGM48

T-Stat Models

TMGT24, TMGT36, TMGT48

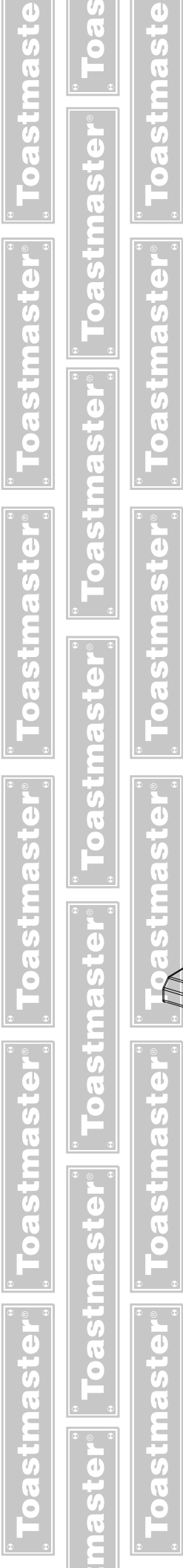
Installation and Operation Instructions

2M-Z12966 Rev. - Oct. 1, 2009



TMGM36

IL1880



SAFETY SYMBOL



These symbols are intended to alert the user to the presence of important operating and maintenance instructions in the manual accompanying the appliance.

RETAIN THIS MANUAL FOR FUTURE REFERENCE NOTICE

Using any part other than genuine Toastmaster factory supplied parts relieves the manufacturer of all liability.

Toastmaster reserves the right to change specifications and product design without notice. Such revisions do not entitle the buyer to corresponding changes, improvements, additions or replacements for previously purchased equipment.

Due to periodic changes in designs, methods, procedures, policies and regulations, the specifications contained in this sheet are subject to change without notice. While Toastmaster exercises good faith efforts to provide information that is accurate, we are not responsible for errors or omissions in information provided or conclusions reached as a result of using the specifications. By using the information provided, the user assumes all risks in connection with such use.

MAINTENANCE AND REPAIRS

Contact your local authorized service agent for service or required maintenance.

Please record the model number, serial number, voltage and purchase date in the area below and have it ready when you call to ensure a faster service.

Model No. _____

Serial No. _____

Voltage _____

Purchase Date _____

Authorized Service Agent

Reference the listing provided with the unit

OR

for an updated listing go to:

Website: www.star-mfg.com
E-mail Service@star-mfg.com
Telephone: (800) 807-9054 Local (314) 781-2777

The Service Help Desk

Business Hours: 8:00 am to 4:30 p.m. Central Standard Time

Telephone: (800) 807-9054 Local (314) 781-2777

Fax: (800) 396-2677 Local (314) 781-2714

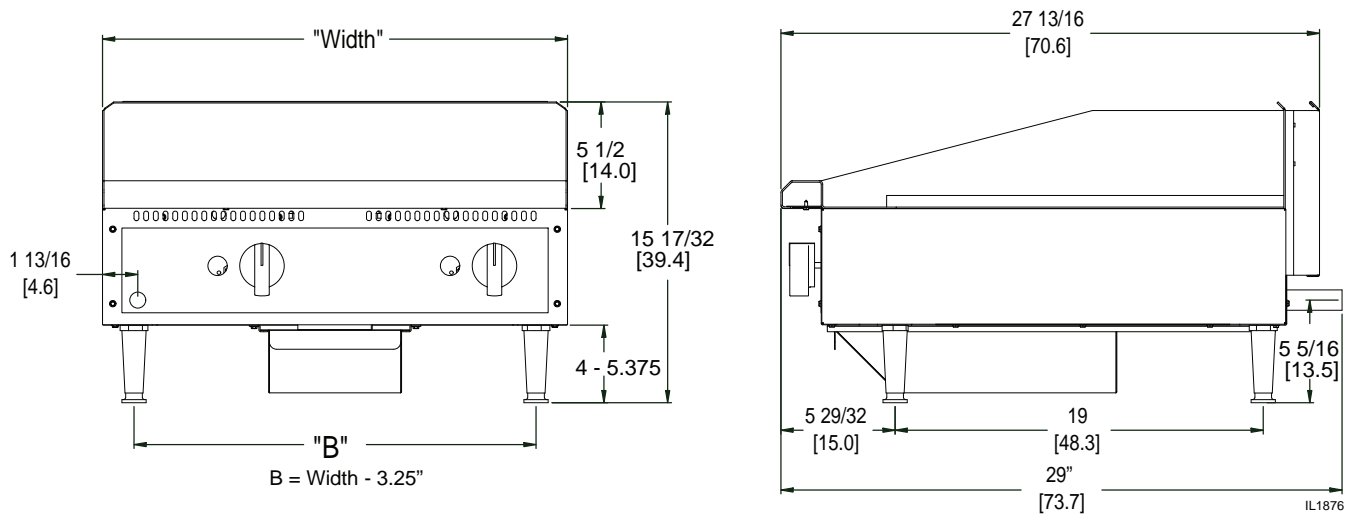
E-mail Parts@star-mfg.com
Service@star-mfg.com
Warranty@star-mfg.com

Website: www.star-mfg.com

Mailing Address: Star Manufacturing International Inc.
10 Sunnen Drive
St. Louis, MO 63143
U.S.A

SPECIFICATIONS: Gas Griddle

MODEL: TMGM24, TMGM36, TMGM48, TMGT24, TMGT36, TMGT48



Model	Height x Width x Depth	Grid Area	Controls	NAT / LP	Weight	
					Installed	Shipped
TMGM24	15.5" x 24" x 29" 39.4cm x 61cm x 73.7cm	498 sq. in 3213 sq. cm	2 Manual	NAT: 40,000 BTU/HR	147.4 lbs 66.8 kg	157.4 lbs 71.4 kg
TMGM36	15.5" x 36" x 29" 39.4cm x 91.4cm x 73.7cm	747 sq. in 4820 sq. cm	3 Manual	NAT: 60,000 BTU/HR	220.5 lbs 100 kg	235.5 lbs 106.7 kg
TMGM48	15.5" x 48" x 29" 39.4cm x 121.9cm x 73.7cm	996 sq. in 6426 sq. cm	4 Manual	NAT: 80,000 BTU/HR	294.7 lbs 128.67 kg	314.7 lbs 142.7 kg
TMGT24	15.5" x 24" x 29" 39.4cm x 61cm x 73.7cm	498 sq. in 3213 sq. cm	2 T-Stat	NAT: 40,000 BTU/HR	147.4 lbs 66.8 kg	157.4 lbs 71.4 kg
TMGT36	15.5" x 36" x 29" 39.4cm x 91.4cm x 73.7cm	747 sq. in 4820 sq. cm	3 T-Stat	NAT: 60,000 BTU/HR	220.5 lbs 100 kg	235.5 lbs 106.7 kg
TMGT48	15.5" x 48" x 29" 39.4cm x 121.9cm x 73.7cm	996 sq. in 6426 sq. cm	4 T-Stat	NAT: 80,000 BTU/HR	294.7 lbs 128.67 kg	314.7 lbs 142.7 kg

GENERAL INSTALLATION DATA



CAUTION

This equipment is designed and sold for commercial use only by personnel trained and experienced in its operation and is not sold for consumer use in and around the home nor for use directly by the general public in food service locations.

The Toastmaster model griddles are equipped for use with the types of gas specified on the nameplate.

All units are shipped from the factory for use with natural gas. The unit can easily be converted for use on propane gas: See propane gas.

-IMPORTANT-

The installation of the Appliance should conform to the NATIONAL FUEL GAS CODE "ANSI Z223.1 - LATEST EDITION" AND ALL LOCAL GAS COMPANY RULES AND REGULATIONS.

IN CANADA INSTALLATION SHALL BE IN ACCORDANCE WITH THE CURRENT CAN/CGA-B149.1 NATURAL GAS INSTALLATION CODE OR CAN/CGA-B149.2 PROPANE INSTALLATION CODE AND LOCAL CODES WHERE APPLICABLE.



CAUTION

Improper installation, adjustment, alteration, service or maintenance can cause property damage, injury or death. Read the installation, operating and maintenance instructions thoroughly before installing or servicing the equipment.



CAUTION

For your safety, do not store or use gasoline or other flammable vapors and liquids in the vicinity of this or any other appliance. Keep the appliance area clear and free from combustibles.

This appliance, its pressure regulator and its individual shutoff valve must be disconnected from the gas supply piping system during any pressure testing of that system at test pressures in excess of 1/2 PSIG (3.45KPA).

This appliance and its pressure regulator must be isolated from the gas supply piping system by closing its individual manual shutoff valve during any pressure testing of the gas supply piping system at test pressures equal to or less than 1/2 PSIG (3.45KPA). For your protection, we recommend a qualified installing agency install this appliance. They should be familiar with gas installations and your local gas requirements. In any case, your gas company should be called to approve the final installation. In addition, there should be posted, in a prominent location, detailed instructions to be followed in the event the operator smells gas. Obtain the instructions from the local gas supplier.



CAUTION

For your safety, if you smell gas -

- 1. Do not touch electrical switches.**
- 2. Extinguish any open flame.**
- 3. Immediately call your gas company.**

KEEP THE APPLIANCE AREA FREE AND CLEAR FROM COMBUSTIBLES.

CLEARANCE

For use on non-combustible countertops only.

Combustible and non-combustible material must be at least 48" (120cm) from the top of the appliance and 6" (150mm) from the sides and back. Adequate clearance should also be provided for proper operation and servicing.

AIR SUPPLY

Make certain not to obstruct the flow of combustion and ventilation air. Provisions for adequate air supply must be furnished. The legs supplied with the unit must be installed. Make certain that air intake openings in the bottom of the appliance are not obstructed. They are essential for proper combustion and operation of the appliance.

EXHAUST CANOPY

It is essential that facilities be provided over the griddle to carry off fumes and gases. However, the unit should not be directly connected to a flue or stack.

LEVELING UNIT

This griddle is supplied with (4) feet which must be screwed into the legs attached to the body. Level unit by adjusting the (4) feet which have an adjustment of 1-3/4" (43.75mm) for accurate and perfect lineup with other units.



CAUTION DO NOT INSTALL WITHOUT ATTACHING FEET - DO NOT REMOVE FEET.

GAS PIPING

Gas piping shall be of such size and so installed as to provide a supply of gas sufficient to meet the full gas input of the appliance. If the appliance is to be connected to existing piping, it shall be checked to determine if it has adequate capacity. Joint compound shall be used sparingly and only on the male threads of the pipe joints. Such compounds shall be resistant to the action of LP gases. **WARNING:** Any loose dirt or metal particles which are allowed to enter the gas lines on this appliance will damage the valve and affect its operation. When installing this appliance, all pipe and fittings must be free from loose dirt.

GAS PRESSURE REGULATOR

A convertible pressure regulator is provided with each griddle. It should be connected to the inlet pipe at the rear of the unit. The gas supply line is then connected to it. It is shipped set for 6" (15.24cm) water column manifold pressure for use with natural gas.

MANUAL SHUT-OFF VALVE

A manual shut-off valve should be installed upstream from the union and within 6 feet (1.829m) of this appliance.

PROPANE GAS

This griddle is equipped with fixed orifice hoods and is shipped from the factory for use on natural gas. To convert to propane gas, install the burner orifice hoods, located in the grease drawer, as follows:

1. Remove front panel by removing screws located on the front and the bottom.
2. Remove the burner(s) from the orifice hood(s). This is accomplished by removing the burner mounting screw(s) and sliding the burner(s) off the hood(s).
3. Remove natural gas orifice hood(s) and install the propane hood(s) furnished.
4. Reinstall burner(s).

Note: TMGM & TMGT units use a #47 drill orifice for natural gas and a #55 drill orifice for propane.

5. Reinstall front panel.
6. Remove the slotted, or hex-threaded, plug from the pressure regulator. Invert the plug and re-install. The letters "LP" should now be visible on the plug. The regulator is now set for 10" (25.4cm) water column.
7. Set manifold pressure to 10" (25.4cm) water column. A 1/8" pipe plug on the supply pipe can be removed for attaching a pressure gauge.

CONNECTING GAS SUPPLY LINE

The gas inlet of the griddle is sealed at the factory to prevent entry of dirt. Do not remove this seal until the actual connection is made to the gas supply line.

CHECKING FOR GAS LEAKS

Soap and water solution or other material acceptable for the purpose shall be used in locating gas leakage. Matches, candle flame, or other sources of ignition shall not be used for this purpose. Check entire piping system for leaks.

LIGHTING INSTRUCTIONS

When griddle is first lit, it will smoke until the preservation oils and impurities are burned off.

1. Turn off main valve to unit and wait 5 minutes to clear gas.
2. Turn off all knobs and pilot valves.
3. Turn on main valve and light all pilots.
4. Turn burner knobs to desired setting.
5. To turn burners off, turn knobs off.

NOTE: The griddles are equipped with standing pilots and should be lit immediately after the gas is turned on.

Pilot flames can be lit and observed through the front panel view ports. However, best access for lighting the pilot is from the bottom of the unit just behind the center wall.

PILOT LIGHT REGULATION

Adjust pilot light flames as small as possible, but high enough to light burner immediately when burner valve is turned on high.

BURNER ADJUSTMENT (MODELS TMGM)

1. Remove the front panel.
2. Turn burner valve knob to "HI" position.
3. Close the air shutter on the front of the burner to give a soft blue flame having luminous tips and open to a point where the yellow tips disappear and a hard blue flame is obtained. Repeat for all burners.

BURNER ADJUSTMENT (MODELS TMGT)

1. Remove the front panel.
2. Push dial in and set thermostat of one burner to 450°F (229.9°C).
3. Close the air shutter on the front of the burner to give a soft blue flame having luminous tips and open to a point where the yellow tips disappear and a hard blue flame is obtained. Repeat for all burners.

BURNER OPERATION (MODELS TMGM)

To ignite burners, turn burner valve knob to "HI" position. Each burner is controlled by an individual high-low, on-off valve. An infinite number of temperatures may be obtained by turning the burner valve knob to any position between high and low. For overnight shutdown, turn the valves to the "OFF" position.

SEASONING THE GRIDDLE SURFACE (NON-CHROMIUM SURFACES)

Clean the griddle surface thoroughly. After the griddle has been thoroughly cleaned, it should be seasoned to prevent food from sticking. Before using, and after each thorough scouring, season the griddle heating surface in the following manner:

1. Turn the temperature control dial to 350°F (174.9°C).
2. Using a clean cloth, not a spatula, spread a thin film of cooking oil over the griddle cooking surface. This film should remain on the hot griddle surface 1/2 hour.
3. Remove excess oil and wipe clean.
4. Apply another film of cooking oil over the hot cooking area for another 1/2 hour and again remove excess oil and wipe clean. The griddle surface should now be ready for use.

Even with careful seasoning food may, to some extent, stick to the griddle cooking surface until griddle plate is "broken in."

COOKING (MODELS TD)

Set the thermostat dial knob to the temperature desired. After a short preheating period, the thermostat will automatically maintain the selected temperature.

GREASE PAN

A grease pan is located at the front and can be removed for cleaning from the front. This pan should be checked and emptied when necessary.



CAUTION

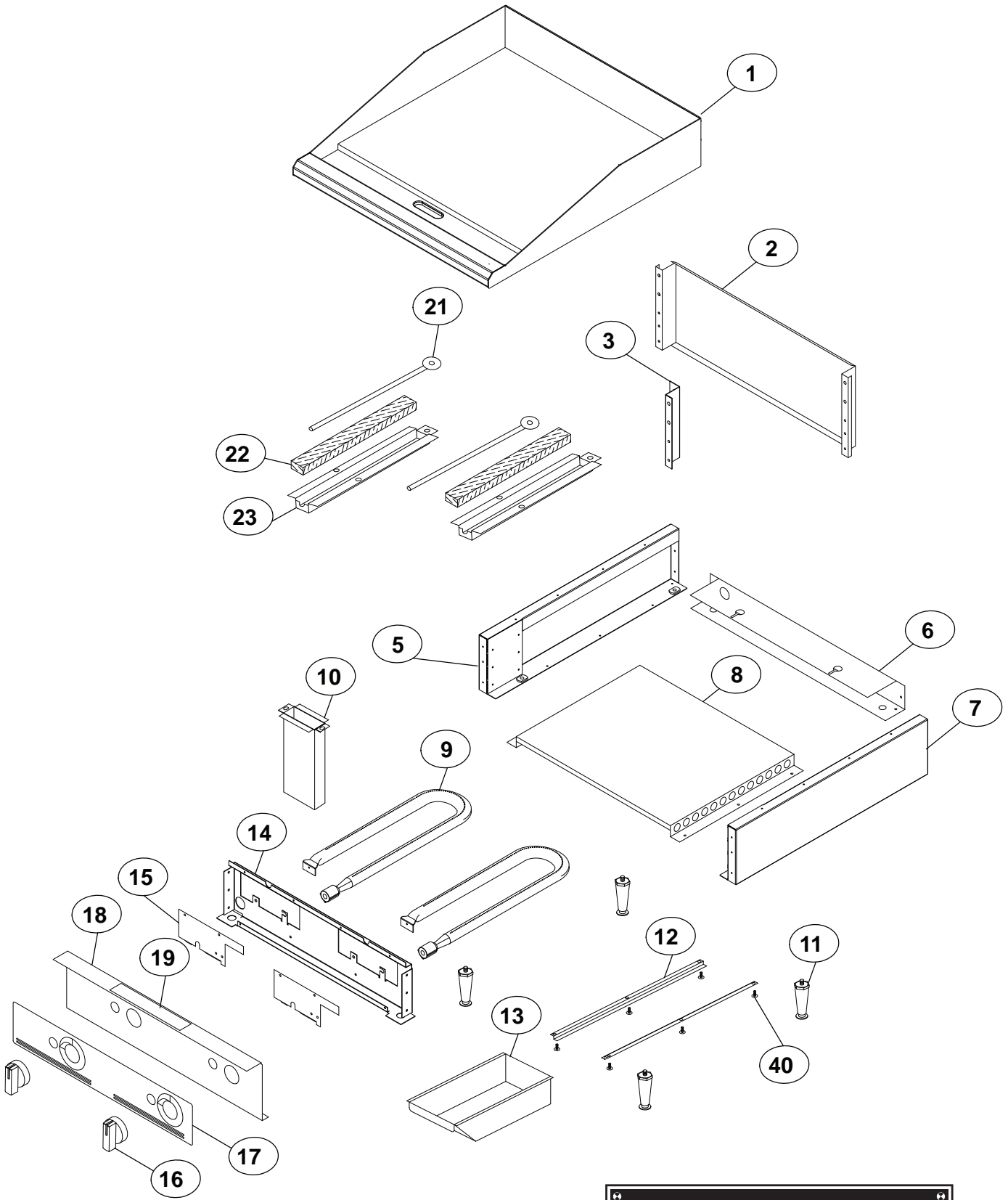
EXERCISE EXTREME CARE IN HANDLING THE GREASE PAN CONTAINING HOT GREASE.

GRIDDLE CARE (NON-CHROMIUM AREAS)

It takes very little time and effort to keep the griddle attractive and performing at top efficiency.

If grease is permitted to accumulate, it will form a gummy cake and then carbonize into a hard substance which is extremely difficult to remove. To prevent this condition, the following suggestions for cleanliness should be followed:

1. After each use, scrape the griddle with a scraper or flexible spatula to remove excess grease and food. A waste drawer is provided for the scrapings. If there is an accumulation of burned on grease and food, the griddle should be thoroughly scoured and reseasoned. Use pumice or griddle stone while the griddle is warm. Do not use steel wool because of the danger of steel slivers getting into the food.
2. Daily-use a clean cloth and good non-abrasive cleaner to clean the stainless steel body of the griddle. Wipe the polished front with a soft cloth.
3. At least once a day remove the waste drawer and wash in the same way as an ordinary cooking utensil. The drawer is removed by pulling forward, up and out.



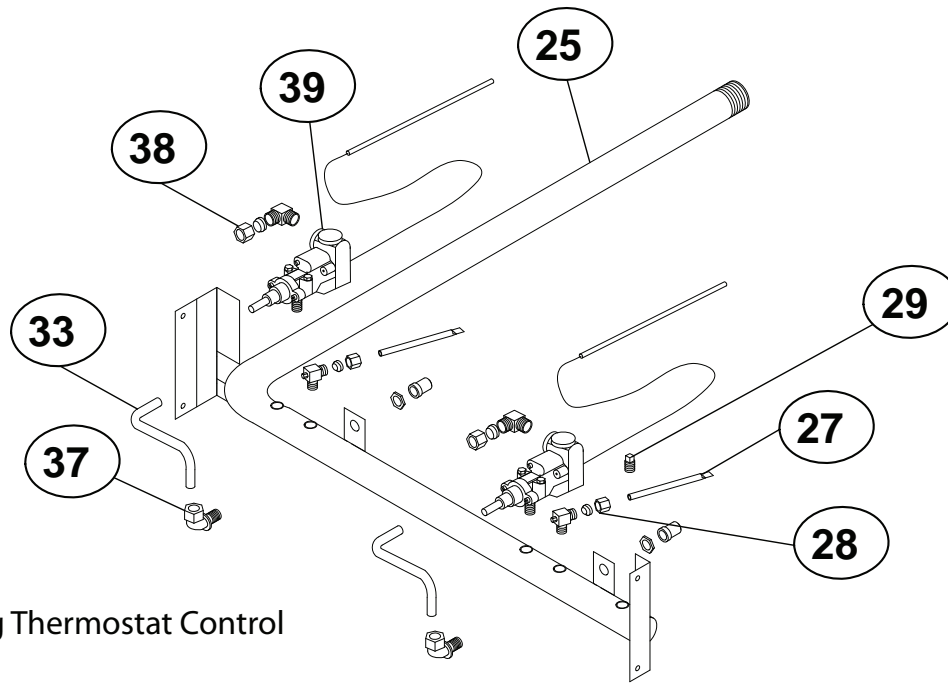
MODEL TMGM24, TMGT24



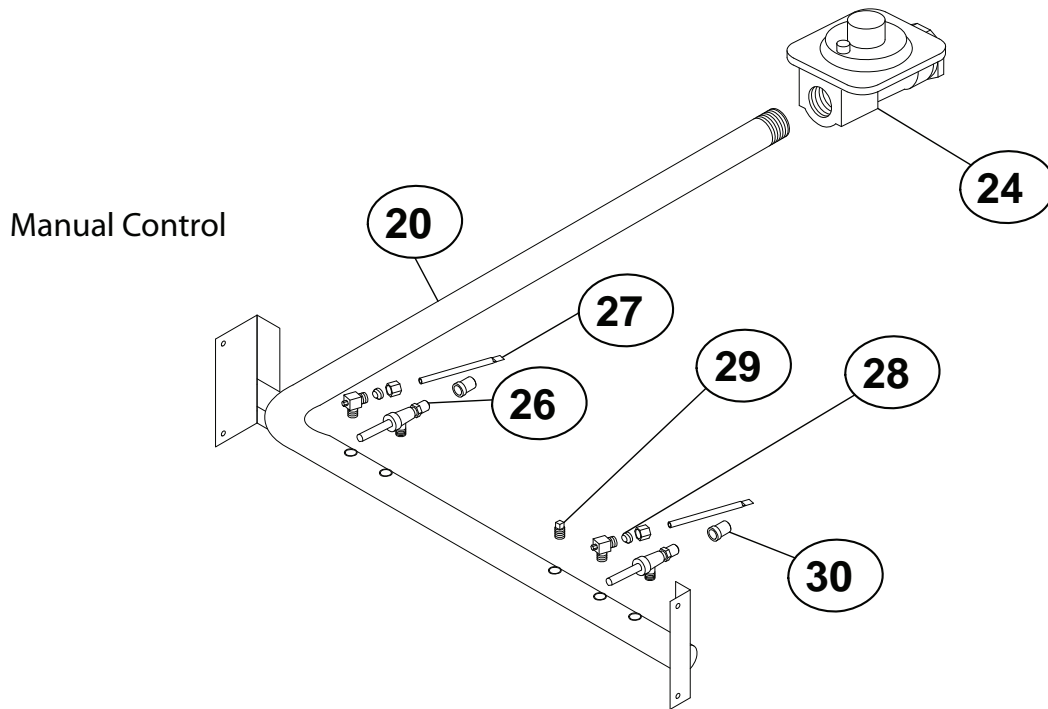
SK2429

REV -

8/26/09



Throttling Thermostat Control



Manual Control

MODEL TMGM24, TMGT24



SK2430

REV -

8/26/09

PARTS LIST

October 1, 2008, Rev -

MODEL: TMGM24, TMGM36, TMGM48, TMGT24, TMGT36, TMGT48 Toastmaster Gas Griddles

Fig No.	Part No.	Qty	Description	Application
1	G4-TC0008	1	TOP WELDMENT 24" GRIDDLE	TMGM24, TMGT24
	G4-TC0007	1	TOP WELDMENT 36" GRIDDLE	TMGM36, TMGT36
	G4-TC0009	1	TOP WELDMENT 48" GRIDDLE	TMGM48, TMGT48
2	G5-Z4812	1	FLUE 24"	TMGM24, TMGT24
	G5-Z4813	1	FLUE 36"	TMGM36, TMGT36
	G5-Z4814	1	FLUE 48"	TMGM48, TMGT48
3	G5-Z4817	1	FLUE DIVIDER	TMGM36, TMGM48, TMGT24, TMGT48
5	H4-Z12829	1	SIDE WALL, LEFT ASSEMBLY	ALL
6	G3-Z5953	1	REAR PANEL	TMGM24
	G3-Z5955	1	REAR PANEL	TMGM36
	G3-Z5957	1	REAR PANEL	TMGM48
7	H4-Z12828	1	SIDE WALL, RIGHT ASSEMBLY	ALL
8	G3-Z5919	1	BOTTOM	TMGM24, TMGT24
	G3-Z5929	1	BOTTOM	TMGM36, TMGT36
	G3-Z5939	1	BOTTOM	TMGM48, TMGT48
9	2F-Z5949	2/3/4	BURNER	ALL
10	G3-624304	1	CHUTE ASSEMBLY	
11	2A-Z0314	4	FOOT, 4" DIE CAST	ALL
12	G3-Z6036	2	DRAWER SLIDE	ALL
13	G3-Y7046	1	GREASE DRAWER	TMGM24
14	G4-Z12976	1	CENTER WALL 24"	TMGM24
	G3-Z12974	1	CENTER WALL 36"	TMGM36
	G4-Z12975	1	CENTER WALL 48"	TMGM48
15	G3-Z5946	2/3/4	BURNER COVER	ALL
16	2R-Z13014	2/3/4	KNOB	TMGM24, TMGM36, TMGM48
	2R-Z13015	2/3/4	KNOB, T-STAT GAS	TMGT24, TMGT36, TMGT48
17	2M-Z12927	1	GRAPHIC PANEL, 24" CHAR/GRD	TMGM24
	2M-Z12930	1	GRAPHIC PANEL, 24" GRID	TMGT24
	2M-Z12928	1	GRAPHIC PANEL, 36" CHAR/GRID	TMGM36
	2M-Z12931	1	GRAPHIC PANEL, 36" GRID	TMGT36
	2M-Z12929	1	GRAPHIC PANEL, 48" CHAR/GRID	TMGM48
	2M-Z12932	1	GRAPHIC PANEL, 48" GRID	TMGT48
18	G3-Z5976	1	FRONT PANEL	TMGM24
	G3-Z5977	1	FRONT PANEL	TMGT24
	G3-Z5978	1	FRONT PANEL	TMGM36
	G3-Z5979	1	FRONT PANEL	TMGT36
	G3-Z5980	1	FRONT PANEL	TMGM48
	G3-Z5981	1	FRONT PANEL	TMGT48
19	VARIOUS	1	NAMEPLATE	ALL
20	2K-Z5962	1	MANIFOLD	TMGM24
	2K-Z5964	1	MANIFOLD	TMGM36
	2K-Z5966	1	MANIFOLD	TMGM48

**IMPORTANT: WHEN ORDERING, SPECIFY VOLTAGE OR TYPE GAS DESIRED
INCLUDE MODEL AND SERIAL NUMBER**

PAGE 1
OF 2

Some items are included for illustrative purposes only and in certain instances may not be available.

PARTS LIST

October 1, 2008, Rev -

MODEL: TMGM24, TMGM36, TMGM48, TMGT24, TMGT36, TMGT48 Toastmaster Gas Griddles

Fig. No	Part No	Qty	Description	Application
21	G3-GD0036	2/3/4	TUBE-WASHER ASSY.	TMGT24, TMGT36, TMGT48
22	G3-Y9531	2/3/4	INSULATOR	TMGT24, TMGT36, TMGT48
23	G3-Z4398	2/3/4	BULB CLAMP	TMGT24, TMGT36, TMGT48
24	2J-Z0792	1	PRESSURE REGULATOR	ALL
25	2K-Z5963	1	MANIFOLD	TMGT24
	2K-Z5965	1	MANIFOLD	TMGT36
	2K-Z5967	1	MANIFOLD	TMGT48
26	2V-Y8832	2/3/4	VALVE-MANUAL GAS	TMGM24, TMGM36, TMGM48
27	2V-Z6647	2/3/4	PILOT BURNER	ALL
28	2V-6671	2/3/4	PILOT VALVE	ALL
29	2P-1453	1	PIPE PLUG 1/8NPT SQ HD	ALL
30	2J-Y7216	2/3/4	HOOD BURNER #47 NAT	ALL
	2J-Y7250	2/3/4	ORIFICE #55 LP GRIDDLE	ALL
33	2K-Z4921	2/3/4	BURNER TUBE	TMGT24, TMGT36, TMGT48
37	2A-9369	2/3/4	ORIFICE FITTING	TMGT24
38	2K-Y7111	2/3/4	ELBOW 1/4 MBT X 3/8 CC	TMGT24, TMGT36, TMGT48
39	2T-Z4293	2/3/4	THERMOSTAT	TMGT24, TMGT36, TMGT48
40	2C-8823	Various	SCREW #8 x 3/8	ALL

**IMPORTANT: WHEN ORDERING, SPECIFY VOLTAGE OR TYPE GAS DESIRED
INCLUDE MODEL AND SERIAL NUMBER**

PAGE 2
OF 2

Some items are included for illustrative purposes only and in certain instances may not be available.



Warranty Statement

This warranty is effective on all Toastmaster equipment sold on or after July 1, 2006, and supersedes all previous warranties.

Toastmaster warrants equipment that it manufactures to be free from defects in material and workmanship. Toastmaster's obligation is limited to repairing or replacing, at Toastmaster's option, without cost to the customer, any part found to be defective, as well as any labor or material expense required to replace the part.

Length of Warranty

This warranty is effective for a period of 18 months from the date of shipment from Toastmaster, or 12 months from the date of purchase by the end user, whichever is earlier.

Exceptions

- This warranty is valid only for the original end user owner/operator of the equipment.
- This warranty does not apply to normal maintenance functions, including (but not limited to) improper operation, installation or the use of an improper utility supply.
- This warranty is valid only if the equipment is used in a commercial setting. The equipment is designed and constructed for commercial use by trained professionals only. Any use of the equipment in private or domestic applications immediately voids this warranty.
- This warranty does not apply to any parts, labor and material expenses for service that is not pre-approved and performed by a Toastmaster authorized service agent. Any such service immediately voids this warranty.
- This warranty does not apply to any parts, labor and material expenses associated with the installation of parts that are not factory-approved for use in the equipment. Any use of such parts immediately voids this warranty.
- This warranty is not valid if terms of payment have not been met.
- For warranty service on Pop-up toasters and light countertop equipment, an exchange program would supersede a service call. Please find 'Warranty Exchange Program' authorization to follow. (http://www.toastmastercorp.com/filespdfcat/warranty_exchange_2008.pdf)

Toastmaster reserves the right to change the design and specifications of this equipment or any related documentation at any time. The end user is not entitled to upgrades resulting from these changes.

This warranty is exclusive and supersedes all other warranties for the equipment, both expressed and implied. There are no implied warranties of merchantability or of fitness for a particular purpose.

The foregoing is Toastmaster's sole and exclusive obligation and the end user sole and exclusive remedy for any action including breach of contract or negligence. In no event shall Toastmaster be liable for a sum in excess of the purchase price of the equipment, or for any prospective or lost profits of the end user.

 is a registered trademark of Toastmaster, A Middleby Company. All rights reserved.

1. Après chaque usage, raclez le grill à l'aide d'une spatule flexible pour enlever l'excédent de graisse et d'aliments. Un récipient à déchets est prévu pour les racloirs. Si le gras et les aliments deviennent excessivement calcinés, le grill doit être recuré soigneusement, puis reconditionné. Utilisez une pierre ponce ou une pierre à grill pendant que le grill est chaud. Ne pas utiliser de laine d'acier en raison du risque que des éclats d'acier pénétreraient dans les aliments.
2. Tous les jours - utiliser un chiffon propre et un bon nettoyeur non abrasif pour nettoyer le corps en acier inoxydable du grill. Essuyer le devant poli à l'aide d'un chiffon doux.
3. Au moins une fois par jour, retirez le tiroir à déchets et lavez de la même façon qu'un ustensile de cuisson ordinaire. Le tiroir s'enlève en tirant vers l'avant, le haut et l'extérieur.

Il faut très peu de temps et d'efforts pour garder le grill attrayant et maintenir des prestations optimales. Si on la laisse s'accumuler, la graisse forme une agglutination gommeuse pour ensuite se carboniser en une substance dure qui est extrêmement difficile à enlever. Pour prévenir cette situation, les mesures suivantes de propreté devraient être suivies:

ENTRETIEN DU GRILL (SURFACES NON CHROMÉES)

REDOUBLER DE PRUDENCE EN MANIANT LE BAC À GRAISSE CONTENANT DE LA GRAISSE CHAUDE.

MISE EN GARDE



Le bac à graisse, situé à l'avant, peut être enlevé depuis l'avant pour le nettoyage. Ce bac doit être vérifié et vidé au besoin.

BAC À GRAISSE

Mettez le bouton du cadran du thermostat à la température désirée. Après une brève période de préchauffage, le thermostat maintient automatiquement la température choisie.

CUISSON (MODÈLES TDSEULEMENT)

Même avec un conditionnement soigné, les aliments peuvent, dans une certaine mesure, adhérer à la surface de cuisson jusqu'à ce que la plaque du grill soit "rodée".

1. Tourner le cadran de contrôle de température à 174,9°C (350°F).
 2. À l'aide d'un chiffon propre, et non d'une spatule, étendre une pellicule mince d'huile de cuisson ou de matière grasse sur la surface de cuisson du grill. Cette pellicule doit demeurer une demi-heure sur la surface chaude du grill.
 3. Enlever l'excédent de graisse et essuyer.
 4. Appliquer une autre pellicule d'huile de cuisson sur la surface de cuisson chaude pendant une autre demi-heure, puis retirer à nouveau l'excédent de graisse et essuyer. La surface du grill devrait maintenant être prête à usage.
- Nettoyer soigneusement la surface du grill. Une fois bien nettoyé, le grill devrait être conditionné pour empêcher les aliments de coller. Avant usage et après chaque nettoyage en profondeur, conditionner la surface chauffante du grill de la manière suivante:

CHROMÉES)

CONDITIONNEMENT DE LA SURFACE CHAUFFANTE DU GRILL (SURFACES NON

FONCTIONNEMENT DES BRÛLEURS (MODÈLES MD SEULEMENT)
 Pour allumer les brûleurs, tourner le bouton du robinet à la position "HI." Chaque brûleur est commandé par un robinet individuel haut-bas, marche-arrêt. On peut obtenir un nombre infini de températures en tournant le bouton du robinet du brûleur à une position entre haut et bas. Pour l'arrêt durant la nuit, tournez les valves à la position de "OFF."

1. Enlevez le panneau avant.
2. Pousser le cadran vers l'intérieur et mettre le thermostat d'un brûleur à 229.9°C (450°F).
3. Fermer le volet d'air de manière à donner une flamme bleue douce ayant des pointes lumineuses et ouvrir jusqu'à un point où les pointes jaunes disparaissent et une flamme bleue dure est obtenue. Répéter pour tous les brûleurs.

AJUSTEMENT DES BRÛLEURS (MODELES TMTG SEULEMENT)

1. Enlevez le panneau avant.
2. Tourner le bouton du robinet du brûleur à la position "HI."
3. Fermer le volet d'air de manière à donner une flamme bleue douce ayant des pointes lumineuses et ouvrir jusqu'à un point où les pointes jaunes disparaissent et une flamme bleue dure est obtenue. Répéter pour tous les brûleurs.

AJUSTEMENT DES BRÛLEURS (MODELES TMGM SEULEMENT)

Mettre les flammes de veille à un réglage aussi bas que possible, mais suffisamment élevé pour allumer le brûleur immédiatement lorsque le robinet du brûleur est ouvert à réglage élevé.

AJUSTEMENT DES FLAMMES DE PILOTES

La flamme pilote peut être allumée et vue par le panneau avant. Cependant, le meilleur accès pour allumer la lampe pilote est du fond de l'unité juste derrière le mur central.

REMARQUE: Les grils sont équipés de lampes de veille permanentes et doivent être allumés immédiatement après ouverture du gaz.

1. Fermer la vanne d'alimentation principale à l'appareil et attendre 5 minutes jusqu'à disparition du gaz.
2. Fermer tous les boutons et les robinets des flammes de veille.
3. Ouvrir la vanne principale et allumer toutes les flammes de veille.
4. Tourner les boutons de brûleur au réglage désiré.
5. Pour fermer les brûleurs, tourner les boutons à la position d'arrêt.

Au premier allumage, le grill émettra de la fumée jusqu'à ce que les huiles de préservation et les impuretés soient complètement brûlées.

INSTRUCTIONS D'ALLUMAGE

Savon et solution de l'eau ou autre matière acceptable pour le but, sera utilisé dans localiser la fuite du gaz. Égaut, flamme de la bougie ou autres sources d'ignition ne seront pas utilisées pour ce but. Le chaque système de la tuyauterie entier pour les fuites.

VÉRIFIER POUR LES FUITES DU GAZ

L'entrée du gaz du grils est scellée à l'usine pour prévenir entrée de saleté. N'enlevez pas ce cachet jusqu'à ce que le réel rapport soit fait à la ligne de la provision du gaz.

LA RELIANT LIGNE DE LA PROVISION DU GAZ

5. Remettre le tableau avant en place.
6. Enlevez les embotti, ou sort - enfilé, bouchez de le régulateur de la pression. Inversez le bouchon et le ré installe. Les lettres " LP " devrait être maintenant visible sur le bouchon. Le régulateur est maintenant mis pour 25.4 cm (10 po) colonne de l'eau.
7. Mettez la diverse pression à 25.4 cm (10 po) eau la colonne. Un 1/8 " bouchon de la pipe sur la boîte de la pipe de la provision que soit enlevé pour attacher une jauge de pression.

Note: Les unités de série de TMGM et de TMTG emploient un orifice du forêt #47 pour le gaz naturel et un orifice du forêt #55 pour le propane.

DÉGAGEMENT
Pour usage uniquement sur les compteurs non combustibles. Les matières combustibles et non combustibles doivent être à au moins 120 cm (48 po) du dessus de l'appareil et à 150 mm (6 po) des côtés et de l'arrière. Un dégagement adéquat doit également être prévu pour le fonctionnement et les réparations.

APPROVISIONNEMENT D'AIR
S'assurer de ne pas obstruer l'écoulement d'air de ventilation et de combustion. Des mesures doivent être prises pour obtenir un approvisionnement d'air adéquat. Les jambes fournies avec l'unité doivent être installées. S'assurer que les ouvertures d'admission d'air au bas de l'appareil ne sont pas obstruées. Elles sont essentielles à une bonne combustion et au fonctionnement approprié de l'appareil.

HOTTE D'ÉCHAPPEMENT
Il est essentiel de prendre des mesures au-dessus du grill pour l'échappement des fumées et des gaz. Cependant, l'appareil ne doit pas être raccordé directement à un conduit d'évacuation ou à une cheminée.

UNITÉ DE MISE À NIVEAU
Ce grill est pourvu de quatre pieds qui doivent être vissés dans les montants fixés au corps. On met l'appareil à niveau en ajustant les quatre pieds qui ont un ajustement de 43.75 mm (1 3/4 po) en vue d'un alignement exact et parfait avec les autres unités.

MISE EN GARDE

NE PAS INSTALLER SANS POSER LES PIEDS - NE PAS RETIRER LES PIEDS.

CANALISATION DE GAZ

La canalisation de gaz doit être de dimensions et installée de manière à assurer un approvisionnement de gaz suffisant pour répondre aux besoins de gaz de l'appareil. Si l'appareil doit être raccordé à une canalisation existante, il faut la vérifier pour déterminer si sa capacité est adéquate. Du mastic à joints doit être utilisé modérément et uniquement sur les filets mâles des joints de tuyau. Ces mastics devront être résistants à l'action des gaz de propane liquéfié. MISE EN GARDE: Toute particule lâche de saleté ou de métal qu'on laisse pénétrer dans la canalisation de gaz de cet appareil abîmera le robinet et affectera son fonctionnement. En installant cet appareil, s'assurer que tous les tuyaux et raccords sont exempts de saleté lâche.

LE RÉGULATEUR DE LA PRESSION DU GAZ

Un régulateur de la pression convertissable est fourni chaque plaque chauffante. Il devrait être relié à la pipe d'entrée à l'arrière de l'unité. La ligne de la provision du gaz est reliée à lui alors. Il est transporté résolu pour 15.24cm (6 po) colonne de l'eau diverse pression pour usage avec le gaz naturel.

ROBINET D'ARRÊT MANUEL

Un robinet d'arrêt manuel doit être posé en amont du raccord et à moins de 1.829 m (6 pieds) de cet appareil.

GAZ PROPANE

Ce grill est équipé de capots fixes et est expédié de l'usine pour usage sur le gaz naturel. Pour convertir au gaz du propane, installez les capuchons de l'orifice du brûleur, localisés dans le tiroir de la graisse, comme suit:

1. Retirer le tableau de commande en enlevant les vis situées à l'avant et en bas.
2. Retirer le(s) brûleur(s) du(des) capot(s). Ceci est accompli en enlevant les vis de support de brûleur et en se glissant les brûleurs des capots.
3. Retirer le(s) capot(s) de gaz naturel et poser le(s) capot(s) de propane fourni(s).
4. Remettre le(s) brûleur(s) en place.



DONNÉES GÉNÉRALES D'INSTALLATION

MISE EN GARDE



Cet équipement est conçu et vendu pour usage commercial seulement par des employés formés et expérimentés sur son usage, et il ne doit pas être vendu pour utilisation par des consommateurs dans et autour de la maison ni pour usage directement par le grand public dans les établissements de service alimentaire. Prière de se mettre en contact avec l'usine pour l'équipement devant être utilisé par le grand public.

Les grils modèle Toaster sont équipés pour usage avec les types de gaz précisés sur la plaque signalétique.

Tous les appareils sont expédiés de l'usine pour usage avec le gaz naturel. L'appareil peut facilement être converti pour usage avec le propane: voir gaz propane.

-IMPORTANT-

L'installation de l'appareil doit se conformer au CODE NATIONAL DE GAZ COMBUSTIBLE "ANSI Z223.1 - TOUTE DERNIÈRE ÉDITION" DES ÉTATS-UNIS ET À TOUTES LES RÈGLES ET RÉGLEMENTATIONS DE LA COMPAGNIE DE GAZ LOCALE.

AU CANADA, L'INSTALLATION DOIT ÊTRE CONFORME AU CODE COURANT D'INSTALLATION AU GAZ NATUREL CAN/CGA-B149.1 OU AU CODE DE INSTALLATION AU PROPANE CAN/CGA-B149.2 ET AUX CODES LOCAUX, LE CAS ÉCHÉANT.

MISE EN GARDE



Des erreurs lors de l'installation, du réglage, de l'atération, des réparations ou de l'entretien peuvent causer des dommages matériels, des blessures ou la mort. Lire attentivement les instructions d'installation, d'utilisation et d'entretien avant d'installer ou de réparer l'équipement.

MISE EN GARDE



POUR VOTRE SÉCURITÉ, NE PAS CONSERVER NI UTILISER DE L'ESSENCE OU D'AUTRES VAPEURS ET LIQUIDES INFLAMMABLES À PROXIMITÉ DE CET APPAREIL OU DE TOUT AUTRE APPAREIL. TENIR TOUT COMBUSTIBLE À L'ÉCART DE L'APPAREIL.

Cet appareil, son régulateur de pression et son robinet d'arrêt individuel doivent être débranchés du système d'alimentation en gaz pendant tout essai de pression de ce système à des pressions d'essai de plus de 3,45 kPa (0,5 lb/po²). Cet appareil et son régulateur de pression doivent être isolés du système d'alimentation en gaz en fermant son robinet d'arrêt manuel individuel durant tout essai de pression du système d'alimentation en gaz à des pressions d'essai égales ou inférieures à 3,45 kPa (0,5 lb/po²). Pour votre protection, nous vous recommandons de confier l'installation de cet appareil à une agence d'installation qualifiée. Celle-ci doit connaître les installations au gaz et les exigences de votre localité pour le gaz. L'installation définitive doit être soumise à l'approbation de votre compagnie de gaz. En outre, on doit apposer, bien en vue, des instructions détaillées à suivre dans l'hypothèse où l'opérateur sent une odeur de gaz. On peut se procurer les instructions auprès du fournisseur de gaz local.

MISE EN GARDE



- Si vous sentez une odeur de gaz -
1. Ne touchez pas aux interrupteurs électriques.
 2. Éteignez toute flamme nue.
 3. Appelez immédiatement compagnie de gaz.

TENEZ TOUT COMBUSTIBLE À L'ÉCART DE L'APPAREIL.

N° de modèle
N° de série
Voltage
Date d'achat

Site web : www.star-mfg.com
Courriel : Service@star-mfg.com

Voir la liste pourvue avec l'appareil
Ou
Pour une liste mise à jour voir :

Agent de service autorisé

Contactez votre détaillant local pour les réparations ou l'entretien requis. Assurez-vous d'avoir le numéro de modèle, le numéro de série, le voltage et la date d'achat pour un service plus rapide. Entrez l'information requise ci-dessous pour référence rapide.

ENTRETIEN ET RÉPARATIONS

L'utilisation de toute pièce autre que les pièces d'origine STAR dégage le fabricant de toute responsabilité.
Toastmaster se réserve le droit de changer les spécifications et la conception du produit sans préavis. Ces changements ne donnent pas le droit à l'acheteur d'obtenir les changements, améliorations, ajouts ou remplacements correspondants pour l'équipement acheté préalablement.
Du aux modifications périodiques de dessins, méthodes, procédures, règles et régulations, les spécifications contenues dans ce manuel sont susceptibles de changer sans préavis. Quoique Toastmaster exerce la bonne foi de fournir le renseignement correct, Toastmaster n'est pas responsable pour les erreurs ou les omissions dans le renseignement pourvu ou les conclusions tirées à la suite de l'utilisation des spécifications. En utilisant le renseignement pourvu, l'utilisateur assume tous les risques en relation avec telle utilisation.

CONSERVEZ CE MANUEL POUR RÉFÉRENCE FUTURE AVIS

Ces symboles sont utilisés pour souligner à l'utilisateur les instructions d'utilisation ou d'entretien importantes contenues dans le manuel qui accompagne l'appareil.



SYMBOLE DE SÉCURITÉ



GRILS A GAZ

Manual Modeles
TMGM24, TMGM36, TMGM48

T-Stat Modeles

TMGT24, TMGT36, TMGT48

Instructions d'installation et d'operation

2M-Z12966 Rev. - Oct. 1, 2009

