



Countertop Gas & Electric Hot Plates

Gas Hot Plates:

TMDO1200, TMDO1200P, TMDO2400, TMDO2400P, TMDO3600, TMDO3600P,

Standard Features:

- 2 adjustable burners per 12" cooking zone
- Natural gas or LP
- Removable heavy duty cast iron grates



TMDO2400

TECHP113272



Electric Hot Plate: *TECHP113272*

Standard Features:

- (2) 9" solid state plates
- Infinite thermostat with six position settings
- 208/240 Volts

Application:

Toastmaster's countertop gas and electric hot plates are the most economical and flexible countertop hot plates in the food service industry. They offer unsurpassed performance, combining a proven control system with Toastmaster quality and durability.

General Information:

Stainless steel front including top rail, with aluminized steel rear and sides. Gas units include full crumb tray for easy cleaning.

The electric model is available with (2) 9" cooking plates, while the gas model is available in 3 different sizes - 12", 24" and 36".

Electrical:

None required on gas units. TECH is wired with combination voltage of 208/240.

Heating:

On the electric models, heating is accomplished with 9" solid round hotplate with element embedded in ceramic and permanently bonded to the plate.

In the gas units, each burner is controlled by independent control of flame. One standing pilot services each burner. A 3/4" rear gas connection is standard. Each burner is rated for 20,000 BTU/hr for natural gas and 20,000 BTU/hr for propane gas

Electrical: The TECHP1132 is wired with combination voltage of 208/240 Volts, single phase. There is no electrical requirement on the gas units. **Gas:** The TMDO gas units contain 2 burners per 12". The TMDO12's have a total of 2 burners, the TMDO24's have a total of 4 burners, and the TMDO36's have a total of 6 burners.

Controls:

One front panel mounted control knob per burner, to allow adjustable flame height. Two burners per 12". TECH - Temperatures are regulated by an infinite heat switch. Dial knobs with an "OFF" position are mounted in front with guard. An indicator light is associated with each switch. Each hotplate is provided with an integral temperature limit control for over temperature protection.

Cleanability:

- Stainless steel front for durability and easy cleanup.

Warranty:

Warranted for one year covering parts and labor. (USA only) Call factory for warranty authorization.

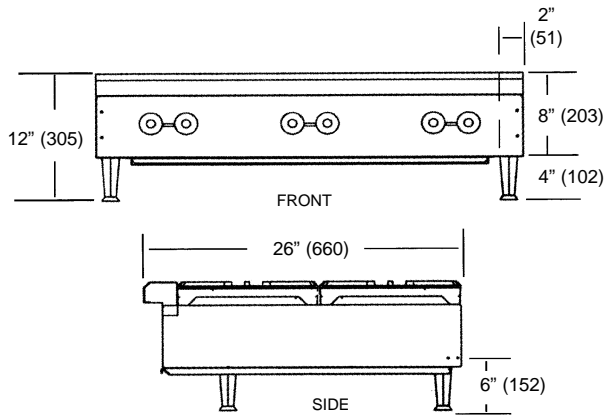
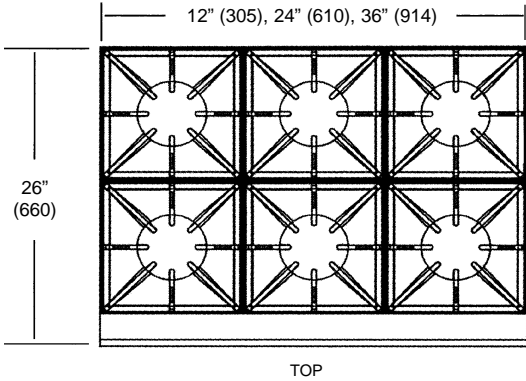


Model Shown: *May ship UPS*

Countertop Gas & Electric Hot Plates

Electric: TECHP113272

Gas: TMDO1200, TMDO1200P, TMDO2400, TMDO2400P, TMDO3600, TMDO3600P



Countertop Gas Hot Plates

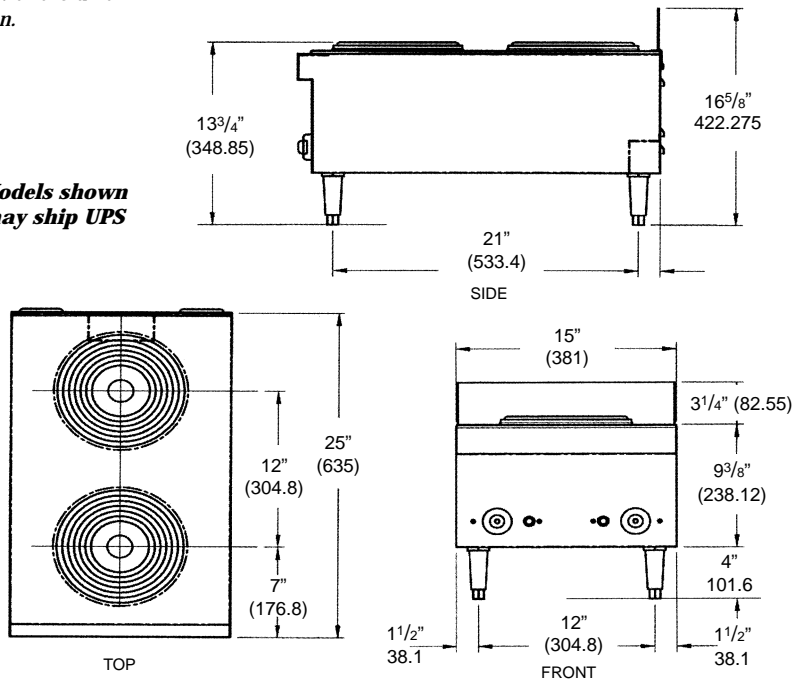
Model Number	TMDO1200	TMDO1200P	TMDO2400	TMDO2400P	TMDO3600	TMDO3600P
Gas Type	Natural	LP	Natural	LP	Natural	LP
Cook Zone Size	12"	12"	24"	24"	36"	36"
BTU/hr	40,000	40,000	80,000	80,000	120,000	120,000
Weight	105 lbs.	105 lbs.	160 lbs.	160 lbs.	245 lbs.	245 lbs.
Dimensions	12-1/4" W x 12" H x 27" L	12-1/4" W x 12" H x 27" L	24-3/8" W x 12" H x 27" L	24-3/8" W x 12" H x 27" L	36-1/2" W x 12" H x 27" L	36-1/2" W x 12" H x 27" L

*All units are shipped with NAT configuration.
A universal pressure regulator is shipped loose with the unit including LP orifice for field conversion.*

Countertop Electric Hot Plates

Model Number	TECHP113272
Supply	208/240 V
Current Draw (Amps)	208/1 - 21.7 240/1 - 18.8
Total KW	208 V - 3.9 240 V - 5.2
Incoming Supply AWG (min)	1AW NAC
Cook Zone Size	(2) 9" Plates
Weight	40 lbs.
Dimensions	15" W x 16-5/8" H x 25" L

Models shown may ship UPS



INTENDED FOR COMMERCIAL USE ONLY. NOT FOR HOUSEHOLD USE.



Toastmaster, in line with its policy to continually improve its product, reserves the right to change materials or specifications without notice. Such revisions do not entitle the buyer to corresponding changes, improvements, additions, or replacements for previously purchased equipment.

