

# Cool-Edge Griddle with Backstop

USE AND CARE GUIDE  
MODELS TG21W, TG21WL AND TG21WCAN



# READ AND SAVE THESE INSTRUCTIONS

**WARNING:** A risk of fire and electrical shock exists in all electrical appliances and may cause personal injury or death. Please follow all safety instructions.

## IMPORTANT SAFEGUARDS

When using electrical appliances, basic safety precautions should always be followed, including the following:

- ◆ Read all instructions before using appliance.
- ◆ Do not touch hot surfaces. Use handles or knobs.
- ◆ To protect against electric shock, do not immerse probe, cord or plug in water or other liquid. See instructions for cleaning.
- ◆ This appliance is not for use by children.
- ◆ Close supervision is necessary when this appliance is used near children.
- ◆ Unplug from outlet when not in use and before cleaning. Allow to cool before putting on or taking off parts, and before cleaning the appliance.
- ◆ Do not operate any damaged appliance. Do not operate with a damaged cord or plug, or after the appliance malfunctions, or has been dropped or damaged in any manner. Contact Consumer Service for return authorization, examination, repair or adjustment.
- ◆ The use of accessory attachments not recommended by Toastmaster Inc. may cause injuries.
- ◆ Do not use outdoors or while standing in a damp area.
- ◆ Do not let cord hang over edge of table or counter, or touch hot surfaces.
- ◆ Do not place on or near a hot gas or electric burner, or in a heated oven.
- ◆ Extreme caution must be used when moving an appliance containing hot oil or other hot liquids.
- ◆ Always attach probe to appliance first, then plug cord into the wall outlet. To disconnect, turn the temperature control knob to minimum setting, then remove plug from wall outlet.
- ◆ When using this appliance, provide 4 to 6 inches air space on all sides for air circulation. Do not use on surfaces where heat may cause a problem.



- ◆ Do not use appliance unattended.
- ◆ Use extreme caution when disposing of hot grease.
- ◆ Do not place drip tray on top of hot griddle surface.
- ◆ CAUTION: Hot surfaces.
- ◆ Do not use appliance for other than intended use.

## SAVE THESE INSTRUCTIONS

**CAUTION:** A short power supply cord is provided to reduce the risk of personal injury resulting from becoming entangled in or tripping over a longer cord. Extension cords are available from local hardware stores and may be used if care is exercised in their use. If an extension cord is required, special care and caution are necessary. The cord must be: (1) the marked electrical rating of the cord set or extension cord should be at least as great as the electrical rating of the appliance (2) if the appliance is of the grounded type, the extension cord should be a grounding 3-wire cord, and (3) the cord must be arranged so that it will not drape over the countertop or tabletop where it can be pulled on by children or tripped over accidentally.

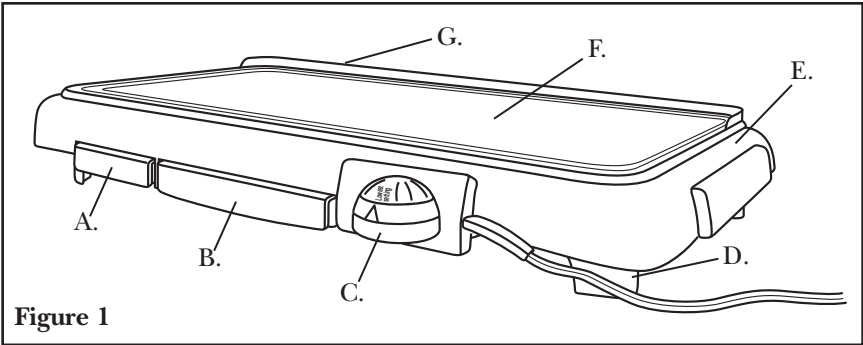
**POLARIZED PLUG:** Some models have a 2-prong polarized plug, (one blade is wider than the other). As a safety feature to reduce the risk of electrical shock, this plug is intended to fit in a polarized outlet only one way. If the plug does not fit fully in the outlet, reverse the plug. If it still does not fit, contact a qualified electrician. Do not attempt to defeat this safety feature.

**GROUNDING-TYPE PLUG:** Some models have a 3-prong grounded-type plug. This plug will only fit into an electrical outlet made for a 3-prong plug. This is a safety feature. If the plug should fail to fit the outlet, contact a qualified electrician. Do not attempt to defeat this safety feature.

**ELECTRIC POWER:** If electric circuit is overloaded with other appliances, your appliance may not operate properly. It should be operated on a separate electric circuit from other appliances.

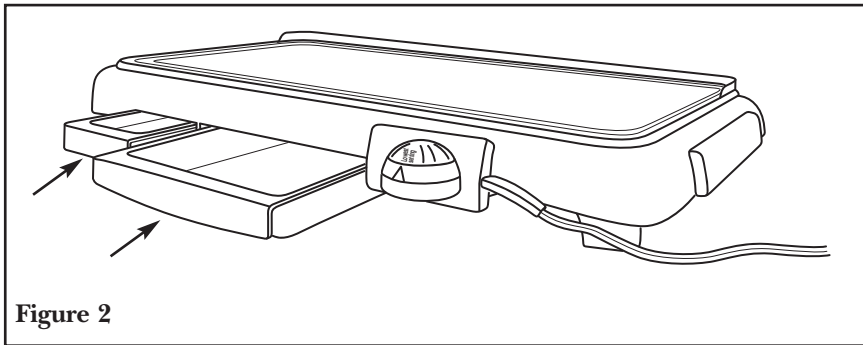
This product is for household use only.

**Temperature Control Probe:** Use only the Temperature Control Probe Model 1244 supplied with this product. Using any other Temperature Control Probe may cause fire, electric shock or injury.

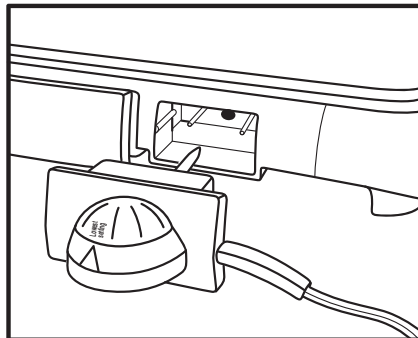


**Figure 1**

- |  |                                       |
|--|---------------------------------------|
| A. Drip Tray (P/N 21701TM)                 | D. Non-Skid Rubber Feet (P/N 21700TM) |
| B. Warming Drawer (P/N 21732TM)            | E. Cool-Touch Surround                |
| C. Temperature Control Probe (P/N 21731TM) | F. Non-stick Cooking Surface          |
|  | G. Backstop                           |



**Figure 2**



**Figure 3**



# Using Your Griddle

This griddle includes a warming drawer. The warming drawer allows your food to be kept warm under the griddle for short periods of time while additional foods are prepared on top of the griddle.

1. Before first use, see Cleaning Instructions and Hints For Care and Use of Non-Stick Surface.
2. Insert warming drawer and drip tray into rails under griddle, see Figure 2.
3. Turn Temperature Control Knob on probe to minimum setting position and attach securely in place, see Figure 3.
4. Condition the non-stick surface with vegetable shortening before heating. If necessary, remove excess oil with paper towel. Plug into 120V ~ 60 Hz outlet. Align temperature control knob with pointer. The unit is preheated when the light on the probe goes off. The light will cycle during use indicating the proper temperature is being maintained.
5. When finished cooking, turn Temperature Control Knob on probe to minimum setting, unplug from outlet and cool before cleaning.

**CAUTION:** Because some countertop finishes are more affected by heat than others, use care not to place griddle on surfaces where heat may cause a problem.

**CAUTION:** Griddle surfaces are hot during use.

## User Maintenance Instructions

This appliance requires little maintenance. It contains no user serviceable parts. Do not try to repair it yourself. Contact a qualified appliance repair technician if the product requires servicing.

## Cleaning Instructions

**NOTE:** No parts should be placed in an automatic dishwasher.

1. Unplug and allow to cool before cleaning or moving.
2. Remove probe (**DO NOT IMMERSER PROBE IN WATER**), wipe with a damp cloth and dry thoroughly.
3. Remove drip tray; empty contents. Wash griddle, warming drawer, and drip tray in soapy water; rinse and dry thoroughly.

A plastic pad with mild abrasive cleaner may be used to clean underside of griddle.

**CAUTION:** Probe and probe receptacle must always be completely dry before use.

### Hints For Care and Use of Non-Stick Surface

- ◆ To avoid scratching the non-stick surface, do not stack objects on griddle.
- ◆ Use medium to low heat for best cooking results. Very high temperatures can cause discoloration and shorten the life span of any non-stick surface. If higher temperatures are necessary, preheat on medium for a few minutes.
- ◆ Use only nylon, plastic, or wooden utensils with care to avoid scratching the non-stick surface. Never cut food on the griddle.
- ◆ Remove stubborn stains with a plastic scouring pad and mild dish washing liquid; **DO NOT USE STEEL WOOL.**

## Time and Temperature

Food	Temperature (Preheat)	Time (Minutes)	Directions
Bacon	325°	8-16	DO NOT PREHEAT. Turn often.
Sausage	325°	20-35	DO NOT PREHEAT. Turn often.
French Toast	350°	6-12	Turn halfway into cooking time.
Ham Slices	350°	15-20	Turn halfway into cooking time.
Sandwiches	350°	6-10	Butter outside and brown both sides.
Pork Chops	350°	20-35	Brown both sides then reduce temperature to 325°. Turn halfway into cooking time.
Pancakes	375°	4-8	Pour batter onto griddle. When bubbles appear on top side, turn.
Steaks	400° rare	6-11	Turn halfway into cooking time.
	400° medium	9-16	Turn halfway into cooking time.
	400° well	15-22	Turn halfway into cooking time.
Hamburger	400°	6-18	Turn halfway into cooking time.



## LIMITED ONE YEAR WARRANTY

**Warranty:** This Toastmaster® product is warranted to be free from defects in materials or workmanship for a period of (1) year from the original purchase date. This product warranty covers only the original consumer purchaser of the product.

**Warranty Coverage:** This warranty is void if the product has been damaged by accident in shipment, unreasonable use, misuse, neglect, improper service, commercial use, repairs by unauthorized personnel, normal wear and tear, improper assembly, installation or maintenance abuse or other causes not arising out of defects in materials or workmanship. This warranty is effective only if the product is purchased and operated in the USA, and does not extend to any units which have been used in violation of written instructions furnished with the product or to units which have been altered or modified or to damage to products or parts thereof which have had the serial number removed, altered, defaced or rendered illegible.

**Implied Warranties:** ANY IMPLIED WARRANTIES WHICH THE PURCHASER MAY HAVE ARE LIMITED IN DURATION TO ONE (1) YEAR FROM THE DATE OF PURCHASE. Some states do not allow limitations on how long an implied warranty lasts, so the above limitation may not apply to you.

**Warranty Performance:** During the above one-year warranty period, a product with a defect will be either repaired or replaced with a reconditioned comparable model (at our option) when the product is returned to the Repair Center, or the purchase price refunded. The repaired or replacement product will be in warranty for the balance of the one-year warranty period and an additional one-month period. No charge will be made for such repair or replacement.

**Service and Repair:** Should the appliance malfunction, you should first call toll-free 1 (800) 947-3744 between the hours of 9:00 am and 5:00 pm Central Standard Time and ask for CONSUMER SERVICE stating that you are a consumer with a problem. Please refer to model number TG21W, TG21WL or TG21WCAN when you call.

**In-Warranty Service (USA):** For an appliance covered under the warranty period, no charge is made for service or postage. Call for return authorization (1 800 947-3744).

**Out-of Warranty Service:** A flat rate charge by model is made for out-of-warranty service. Include \$12.00 (U.S.) for return shipping and handling. We will notify you by mail of the amount of the charge for service and require you to pay in advance for the repair or replacement.

**For Products Purchased in the USA, but Used in Canada:** You may return the product insured, packaged with sufficient protection, and postage and insurance prepaid to the USA address listed below. Please note that all customs duty / brokerage fees, if any, must be paid by you and we will require you to pay the cost of customs duty / brokerage fees to us in advance of our performing any service.

**Risk During Shipment:** We cannot assume responsibility for loss or damage during incoming shipment. For your protection, carefully package the product for shipment and insure it with the carrier. Be sure to enclose the following items with your appliance: any accessories related to your problem, your full return address and daytime phone number, a note describing the problem you experienced, a copy of your sales receipt or other proof of purchase to determine warranty status. C.O.D. shipments cannot be accepted.

To return the appliance, ship to:

Salton Inc.  
Attn: Repair Center  
708 South Missouri Street  
Macon, MO 63552

Email: [consumer\\_relations@toastmaster.com](mailto:consumer_relations@toastmaster.com)  
[www.Toastmaster.com](http://www.Toastmaster.com)

To contact us, please write to or call:

Salton Inc.  
P.O. Box 6916  
Columbia, MO 65205-6916

**Limitation of Remedies:** No representative or person is authorized to assume for us any other liability in connection with the sale of our products. There shall be no claims for defects or failure of performance or product failure under any theory of tort, contract or commercial law including, but not limited to negligence, gross negligence, strict liability, breach of warranty and breach of contract. Repair, replacement or refund shall be the sole remedy of the purchaser under this warranty, and in no event shall we be liable for any incidental or consequential damages, losses or expenses. Some states do not allow the exclusion or limitation of incidental or consequential damages, so the above limitation or exclusion may not apply to you.

**Legal Rights:** This warranty gives you specific legal rights, and you may also have other rights which vary from state to state.

© 2003 Toastmaster Inc.  
All Rights Reserved

P/N 61004Rev03/03  
Printed in China

## Keep Dated Sales Receipt for Warranty Service.

Keep this booklet. Record the following for reference:

Date purchased \_\_\_\_\_

Model number \_\_\_\_\_

Date code (stamped on bottom) \_\_\_\_\_

**EVERYBODY EATS. It's a fact of life.  
But sometimes preparing  
meals can become a chore.  
That's why TOASTMASTER has been invited  
into millions of kitchens just like yours  
so we can HELP YOU MASTER your  
mixing, baking, grilling, toasting,  
brewing, heating and serving  
tasks WITH EASE AND STYLE.  
The TOASTMASTER name stands for a  
CELEBRATION of INNOVATION designed  
to serve your life and keep you  
COOKIN' IN STYLE.**







**toastmaster®**

- 20.5" non-stick cooking surface
- Cool-touch surround
- Immersible with probe removed
- Backstop for easy food removal
- Infinitely adjustable thermostat



## **Questions**

Call toll free 1-800-947-3744

Monday–Friday, 8:00 a.m.–5:30 p.m. CST

[www.toastmaster.com](http://www.toastmaster.com)

TG21W, TG21WL AND TG21WCAN