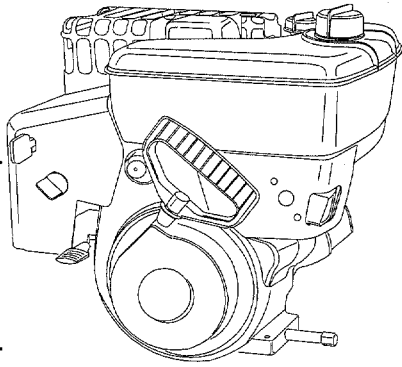




OPERATOR'S MANUAL

and MAINTENANCE INSTRUCTIONS for
TECUMSEH



MODELS OHSK80, 90, 100,
110, 130

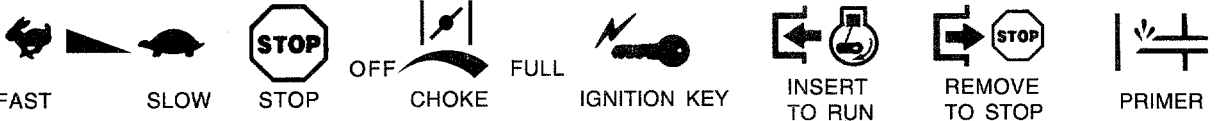
SNOW BLOWER ENGINE
HORIZONTAL CRANKSHAFT
AIR COOLED • FOUR-CYCLE ENGINE



THIS SYMBOL POINTS OUT IMPORTANT SAFETY INSTRUCTIONS WHICH IF NOT FOLLOWED COULD ENDANGER THE PERSONAL SAFETY AND/OR PROPERTY OF YOURSELF AND OTHERS. READ AND FOLLOW ALL INSTRUCTIONS IN THIS MANUAL AND ANY PROVIDED WITH THE EQUIPMENT ON WHICH THIS ENGINE IS USED BEFORE ATTEMPTING TO OPERATE YOUR TECUMSEH ENGINE.



THESE SYMBOLS
MAY APPEAR ON
THE ENGINE:



California Proposition 65 **WARNING:** The engine exhaust from this product contains chemicals known to the State of California to cause cancer, birth defects or other reproductive harm.

8-1-00 **181-1170-14**

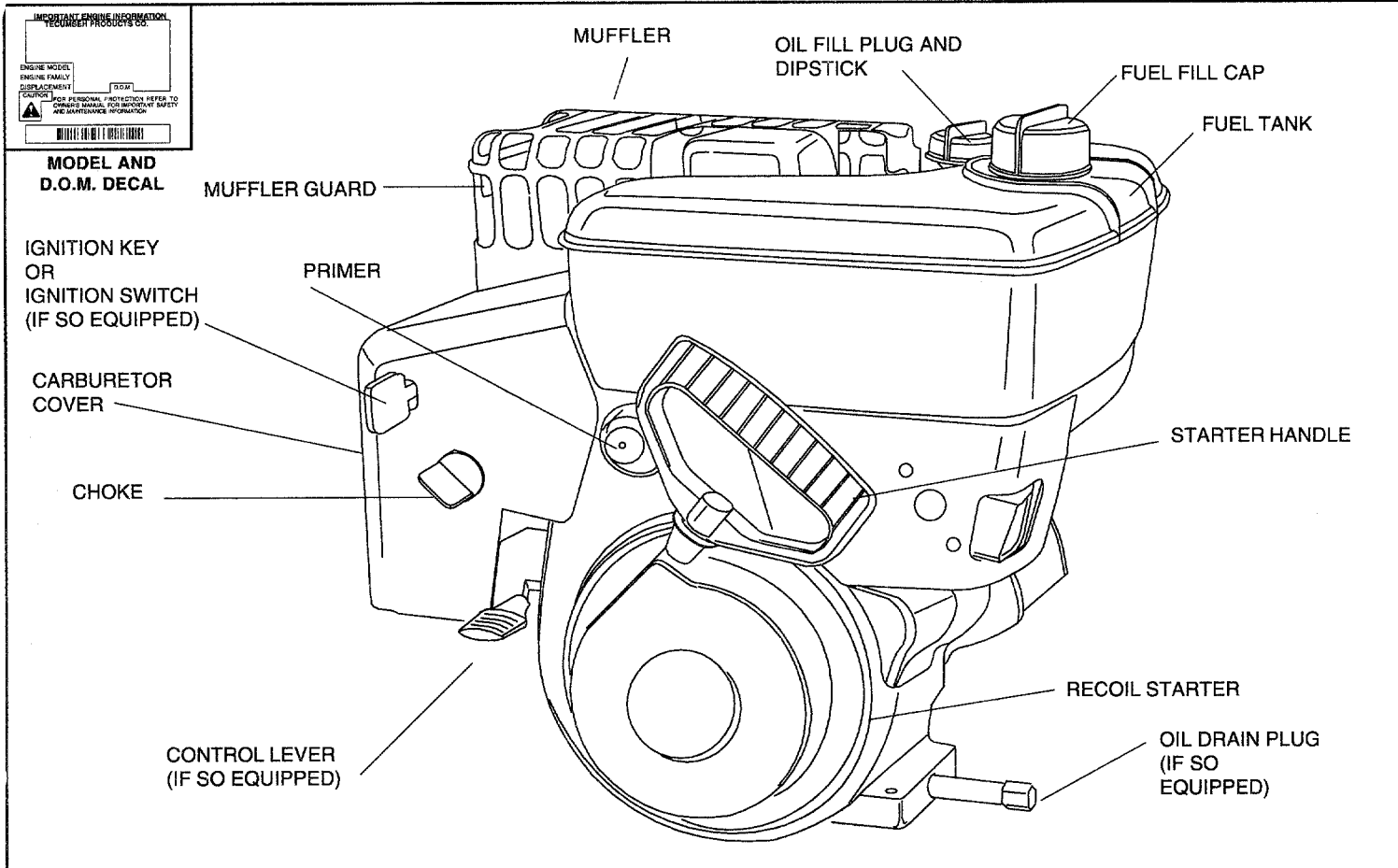


Figure 1
Page 1

181-1170-14

NOTE: Engines which are certified to comply with California and U.S. EPA emission regulations for SORE (Small Off Road Equipment), are certified to operate on regular unleaded gasoline, and include the following emission control systems: Engine Modification (EM), and Three-way Catalyst (TWC) (if so equipped).

OIL & FUEL RECOMMENDATIONS

TO OPERATE ENGINE, YOU WILL NEED THE FOLLOWING:

① A CLEAN, HIGH QUALITY DETERGENT OIL.

Be sure original container is marked:

A.P.I. service "SF" - "SJ".

FOR SUMMER (ABOVE 32°F; 0°C) USE SAE 30 OIL.

Tecumseh specially formulated oil is available at any Authorized Tecumseh Service Outlet. Order as part number 730225. Using multigrade oil will increase oil consumption.

FOR WINTER (BELOW 32°F; 0°C) USE SAE 5W30 OIL.

Tecumseh specially formulated oil is available at any Authorized Tecumseh Service Outlet. Order as part number 730226.

(SAE 10W is an acceptable substitute.)

(BELOW 0°F; -18°C) ONLY: SAE 0W30 is an acceptable substitute.

DO NOT USE SAE 10W40 OIL.

OIL SUMP CAPACITY:

OHSK80-110 26 ounces (1-5/8 U.S. pints) .78 liters

OHSK130 28 ounces (1-3/4 U.S. pints) .83 liters

② A FRESH, CLEAN, UNLEADED REGULAR, UNLEADED PREMIUM, OR REFORMULATED AUTOMOTIVE GASOLINE ONLY. DO NOT USE LEADED GASOLINE.

NOTE: DO NOT USE GASOLINE CONTAINING METHANOL (WOOD ALCOHOL). Gasoline containing up to 10% ethanol or grain alcohol ("Gasohol"), or up to 15% MTBE (Methyl Tertiary Butyl Ether), may be used but requires special care when engine is unused for extended periods. See "STORAGE" instructions on Page 5.

NOTE: Use clean oil and fuel and store in approved, clean, covered containers. Use clean fill funnels. Never use "stale" gasoline left over from last season or stored for long periods.

BEFORE STARTING

① READ ALL INSTRUCTIONS PROVIDED WITH THE EQUIPMENT ON WHICH THIS ENGINE IS USED.

② TO FILL OIL SUMP OR CHECK OIL LEVEL:

IMPORTANT: To avoid engine damage never run engine unless:

- Oil level is between "FULL" and "ADD" marks on dipstick.
- Oil fill plug is tightened securely into oil fill tube or hole.

CHECK OIL LEVEL OFTEN DURING ENGINE BREAK-IN.

A. POSITION EQUIPMENT SO ENGINE IS LEVEL.

B. Clean area around oil fill plug (see Figure 1).

C. Remove oil fill plug and dipstick.

D. Wipe dipstick clean, insert it into oil fill hole and tighten securely. Remove dipstick. If oil is not up to "FULL" mark on dipstick, add recommended oil. POUR SLOWLY. Wipe dipstick clean each time oil level is checked.

IMPORTANT: DO NOT FILL ABOVE "FULL" MARK ON DIPSTICK.

E. Install oil fill plug and dipstick, tighten securely.

See "MAINTENANCE" section for further oil instructions.

BEFORE STARTING (Continued)

③ FILL FUEL TANK:

- Clean area around fuel fill cap, remove cap.
 - Add "UNLEADED" regular gasoline, slowly, to fuel tank. Use a funnel to prevent spillage.
- IMPORTANT: NEVER MIX OIL WITH GASOLINE.**
- Install fuel fill cap and wipe up any spilled gasoline.

NEVER FILL FUEL TANK INDOORS. NEVER FILL FUEL TANK WHEN ENGINE IS RUNNING OR HOT. DO NOT SMOKE WHEN FILLING FUEL TANK.

NEVER FILL FUEL TANK COMPLETELY. FILL TANK TO 1/2" BELOW BOTTOM OF FILLER NECK TO PROVIDE SPACE FOR FUEL EXPANSION. WIPE ANY FUEL SPILLAGE FROM ENGINE AND EQUIPMENT BEFORE STARTING ENGINE.

ANY LIQUEFIED PETROLEUM (LPG) OR NATURAL GAS FUEL SYSTEM MUST BE LEAKPROOF AND MEET ALL APPLICABLE CODES AND REGULATIONS.

④ CHECK THE FOLLOWING:

BE SURE EQUIPMENT IS IN NEUTRAL GEAR WITH CLUTCHES, BELTS, CHAINS AND SAFETY SWITCHES DISENGAGED. (FOLLOW EQUIPMENT MANUFACTURER'S INSTRUCTIONS.) THIS SHOULD PLACE ANY SAFETY SWITCHES IN SAFE STARTING POSITION.

- Be sure spark plug wire is attached to spark plug (see Figure 1).
- Be sure:
 - Ignition switch on engine or equipment is in "ON", "RUN" or "START" position.

OR

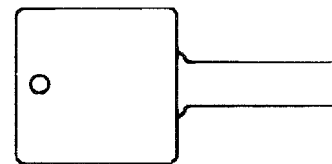
- Ignition key (if so equipped see Figure 2) is inserted into ignition keyslot in carburetor cover (see Figure 1).

DO NOT TURN IGNITION KEY.

- Be sure fuel valve (if so equipped) is open (see Figure 3).

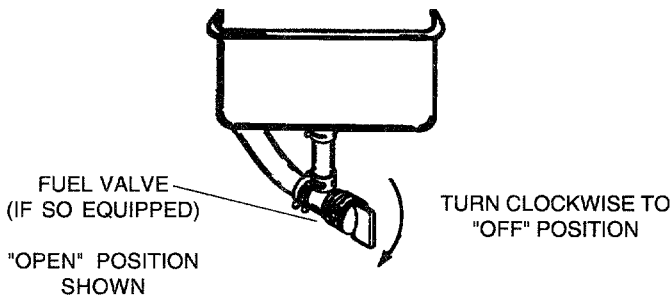
ENGINE WILL NOT START UNLESS IGNITION KEY IS INSERTED INTO IGNITION KEYSLOT IN CARBURETOR COVER.

DO NOT TURN IGNITION KEY.



IGNITION KEY

Figure 2



FUEL VALVE (IF SO EQUIPPED)
"OPEN" POSITION SHOWN

TURN CLOCKWISE TO "OFF" POSITION

Figure 3

STARTING

NEVER RUN ENGINE INDOORS OR IN ENCLOSED, POORLY VENTILATED AREAS. ENGINE EXHAUST CONTAINS CARBON MONOXIDE, AN ODORLESS AND DEADLY GAS (CARBON MONOXIDE IS ALSO PRESENT IN ENGINE EXHAUST FROM LIQUID PETROLEUM (LPG) AND NATURAL GAS FUEL SYSTEMS).

KEEP HANDS, FEET, HAIR AND LOOSE CLOTHING AWAY FROM ANY MOVING PARTS ON ENGINE AND EQUIPMENT. NEVER LEAVE EQUIPMENT UNATTENDED WHEN ENGINE IS OPERATING.

WARNING - TEMPERATURE OF MUFFLER AND NEARBY AREAS MAY EXCEED 150°F (65°C). AVOID THESE AREAS.

① RECOIL STARTER (see Figure 1):

- A. Move equipment control (see equipment manufacturer's instructions) or engine control lever to "FAST" or "START" position.
- B. Move engine choke to "FULL".

NOTE: IF RESTARTING A WARM ENGINE AFTER A SHORT SHUTDOWN:

1. MOVE CHOKE TO "OFF" INSTEAD OF "FULL".
2. PUSH PRIMER ONCE ONLY.

- C. Push primer three times (see Figure 4). ALWAYS COVER vent hole when pushing primer. See warm engine restart "NOTE" above.
- D. Grasp starter handle (see Figure 1) and pull rope out, slowly, until it pulls slightly harder. Let rope rewind slowly. Then pull rope with a rapid full arm stroke. Let rope return to starter slowly.

NOTE: If RECOIL STARTER is frozen and will not crank engine, proceed as follows:

1. Pull as much rope out of starter as possible.
2. Release starter handle and let it snap back against starter.

NOTE: The above should be done only when necessary to free a frozen starter.

- E. Repeat instruction D until engine starts.
If engine fails to start, repeat instructions C and D as necessary, until engine starts.
- F. When engine starts, move choke gradually to "OFF".
- G. If engine falters, move choke immediately to "FULL" and then gradually to "OFF".

② ELECTRIC STARTER (see Figure 5)

WARNING: THE 120V A.C. STARTER IS EQUIPPED WITH A THREE-WIRE POWER CORD AND PLUG, AND IS DESIGNED TO OPERATE ON 120V A.C. HOUSEHOLD CURRENT. THE STARTER MUST BE PROPERLY GROUNDED AT ALL TIMES TO AVOID THE POSSIBILITY OF INJURY OR DEATH FROM ELECTRICAL SHOCK. DETERMINE THAT YOUR HOUSE WIRING IS A GROUND FAULT INTERRUPTED (G.F.I.) THREE-WIRE GROUNDED SYSTEM, OR ASK A LICENSED ELECTRICIAN IF YOU ARE NOT SURE. IF YOUR HOUSE WIRING SYSTEM IS NOT A G.F.I. THREE-WIRE GROUNDED SYSTEM, DO NOT USE THIS ELECTRIC STARTER UNDER ANY CONDITION. IF YOUR HOUSE WIRING SYSTEM IS GROUNDED BUT A G.F.I. THREE-PRONG WALL RECEPTACLE IS NOT AVAILABLE AT THE LOCATION YOUR STARTER WILL BE USED, ONE SHOULD BE INSTALLED BY A LICENSED ELECTRICIAN.

NOTE: If your engine is equipped with a 12V battery-operated electric starter, disregard instructions regarding power cord.

STARTING (continued)

- A. Connect power cord to switchbox on engine.
- B. Plug other end of power cord (see Figure 5) into wall receptacle.
IMPORTANT: When connecting power cord, always connect power cord to switch box on engine first; then into wall receptacle.
- C. Move equipment control (see equipment manufacturer's instructions) or engine control lever to "FAST" or "START" position.
- D. Move engine choke to "FULL".
- E. Push primer three times, making sure to cover vent hole when pushing (see Figure 4).

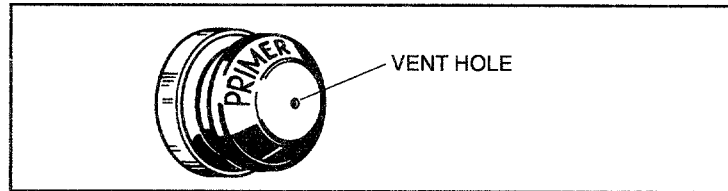


Figure 4

NOTE: If restarting a warm engine after a short shutdown:

1. Leave choke in "OFF" position.
2. Push primer one time only.

- F. Push starter button (see Figure 5) or turn ignition switch key (see equipment manufacturer's instructions) to crank engine.
- G. When engine starts, release starter button and move choke gradually to "OFF".
- H. If engine falters, move choke immediately to "FULL" and then gradually to "OFF".
- I. Disconnect power cord (see Figure 5) from wall receptacle first, and then from switchbox on engine.

IMPORTANT: When disconnecting power cord, always unplug wall receptacle end first; then unplug switchbox on engine.

NOTE: The electric starter is thermally protected. If overheated, it will stop automatically and can be restarted only when it has cooled to a safe temperature (a wait of approximately 5-10 minutes is required).

If, after following the preceding instructions, the engine does not start, have it checked by your Authorized Tecumseh Service Outlet.

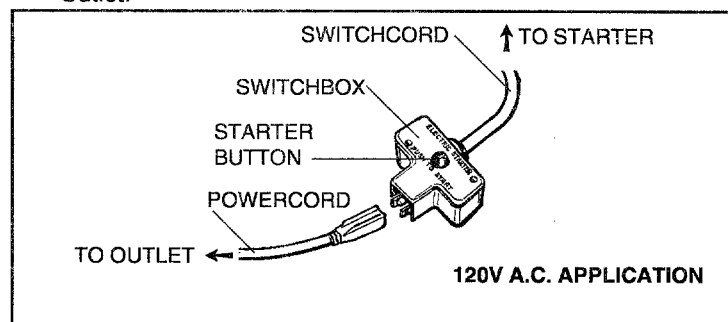


Figure 5

STOPPING

① BEFORE STOPPING (see Figure 1):

- A. Run engine for a few minutes to help dry off any moisture on engine.
- B. To help avoid possible freeze-up of starter, proceed as follows:

RECOIL STARTER:

With engine running, pull starter rope with a rapid continuous full arm stroke three or four times.

NOTE: The unusual sound made by pulling starter rope will not harm engine or starter.

ELECTRIC STARTER:

- 1. Connect power cord to switchbox, then to wall outlet.
- 2. With engine running, push starter button and spin starter for several seconds.

NOTE: The unusual sound made by spinning starter will not harm engine or starter.

- 3. Disconnect power cord from receptacle first, and then from switchbox.

② STOP ENGINE (see Figure 1):

- A. Move equipment control (see equipment manufacturer's instructions), engine control lever or ignition switch (if so equipped) to "STOP" or "OFF".
- B. Remove ignition key (if so equipped see Figure 2) from carburetor cover.

DO NOT TURN IGNITION KEY.

③ AFTER ENGINE IS STOPPED (see Figure 1):

- A. To help avoid possible freeze-up of engine controls, proceed as follows:
 - 1. Wipe all snow and moisture from engine in vicinity of control lever and choke.
 - 2. Move equipment control (see equipment manufacturer's instructions) or engine control lever back and forth several times and leave in the "STOP" or "OFF" position.
 - 3. Move engine choke back and forth several times and leave in the "FULL" position.

- B. Close fuel valve (see Figure 3).

⚠ C. DISCONNECT SPARK PLUG WIRE FROM SPARK PLUG AND KEEP IT AWAY FROM SPARK PLUG.

⚠ D. TURN IGNITION SWITCH KEY (IF SO EQUIPPED) TO "OFF" POSITION AND REMOVE KEY FROM SWITCH. THIS WILL REDUCE THE POSSIBILITY OF UNAUTHORIZED STARTING OF ENGINE WHILE EQUIPMENT IS NOT IN USE.

⚠ NEVER STORE ENGINE WITH FUEL IN TANK INDOORS OR IN ENCLOSED, POORLY VENTILATED AREAS, WHERE FUEL FUMES MAY REACH AN OPEN FLAME, SPARK OR PILOT LIGHT AS ON A FURNACE, WATER HEATER, CLOTHES DRYER OR OTHER GAS APPLIANCE.

MAINTENANCE

⚠ WARNING: TEMPERATURE OF MUFFLER AND NEARBY AREAS MAY EXCEED 150°F (65°C). AVOID THESE AREAS.

① ENGINE OIL LEVEL:

Check oil level every five (5) operating hours or each time engine is used. See "TO FILL OIL SUMP OR CHECK OIL LEVEL" on Page 2.

② CHANGE OIL:

Change oil after first two (2) operating hours and every 25 operating hours thereafter, more often if operated in extremely dusty or dirty conditions. Change oil while engine is still warm from recent running.

- A. Clean area around oil drain plug.
- B. Position equipment so engine oil drain plug is lowest point on engine (see Figure 1).
- C. Remove oil drain plug and oil fill plug to drain oil.
- D. Replace oil drain plug and tighten securely.
- E. Fill oil sump with recommended oil. See "OIL & FUEL RECOMMENDATIONS" and "TO FILL OIL SUMP OR CHECK OIL LEVEL" on Page 2.
- F. Replace oil fill plug and tighten securely.
- G. Wipe up any spilled oil.

③ SPARK PLUG (see Figure 6):

This spark ignition system meets all requirements of the Canadian Interference-Causing Equipment Regulations. This engine complies with all current Australian and New Zealand limitations regarding electromagnetic interference.

Check spark plug yearly or every 100 operating hours.

- A. Clean area around spark plug base.
- B. Remove and inspect spark plug.
- C. Replace spark plug if electrodes are pitted, burned or porcelain is cracked.

Use Champion RN4C or equivalent.

NOTE: A resistor spark plug must be used for replacement.

- D. Check electrode gap with wire feeler gauge and set gap at .030 if necessary.
- E. Install spark plug in engine and tighten securely.

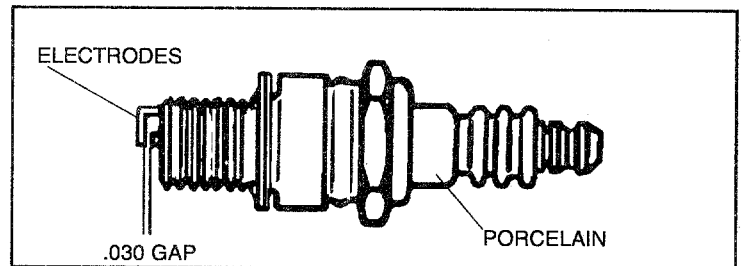


Figure 6

④ CHECK ENGINE AND EQUIPMENT OFTEN FOR LOOSE NUTS, BOLTS AND ATTACHMENTS AND KEEP THESE ITEMS TIGHTENED.

ADJUSTMENTS

DO NOT MAKE UNNECESSARY ADJUSTMENTS. FACTORY SETTINGS ARE SATISFACTORY FOR MOST APPLICATIONS AND CONDITIONS. IF ADJUSTMENTS ARE NEEDED, PROCEED AS FOLLOWS:

① CARBURETOR:

If you think your carburetor needs adjusting, see your nearest AUTHORIZED TECUMSEH SERVICE OUTLET. Engine performance should not be affected at altitudes up to 7,000 feet. For operation at higher elevations, contact your AUTHORIZED TECUMSEH SERVICE OUTLET.

② ENGINE SPEED:

NEVER TAMPER WITH ENGINE GOVERNOR WHICH IS FACTORY SET FOR PROPER ENGINE SPEED. OVERSPEEDING ENGINE ABOVE FACTORY HIGH SPEED SETTING CAN BE DANGEROUS. CHANGING OF ENGINE GOVERNED SPEED WILL VOID ENGINE WARRANTY.

For engine adjustments and/or repairs not covered in this "OPERATOR'S MANUAL" see "WARRANTY & REPAIR" on Page 6.

STORAGE

NEVER STORE ENGINE WITH FUEL IN TANK INDOORS OR IN ENCLOSED, POORLY VENTILATED AREAS, WHERE FUEL FUMES MAY REACH AN OPEN FLAME, SPARK OR PILOT LIGHT AS ON A FURNACE, WATER HEATER, CLOTHES DRYER OR OTHER GAS APPLIANCE.

IF ENGINE IS TO BE UNUSED FOR 30 DAYS OR MORE, PREPARE AS FOLLOWS:

① DRAIN FUEL SYSTEM:

Remove all gasoline from carburetor and fuel tank to prevent gum deposits from forming on these parts and causing possible malfunction of engine.

DRAIN FUEL INTO APPROVED CONTAINER OUTDOORS, AWAY FROM OPEN FLAME. BE SURE ENGINE IS COOL. DO NOT SMOKE.

Run engine until fuel tank is empty and engine stops due to lack of fuel.

NOTE: If "Gasohol" has been used, complete above instructions and then put 1/2 pint of unleaded gasoline into fuel tank and repeat above instructions.

NOTE: Tecumseh "SMART START"™ gasoline preservative and stabilizer is an acceptable alternative in minimizing the formation of fuel gum deposits during storage. Add stabilizer to gasoline in fuel tank or storage container. Always follow mix ratio found on stabilizer container. Run engine at least 10 minutes after adding stabilizer to allow it to reach carburetor.

STORAGE (Continued)

② DRAIN CARBURETOR:

Drain carburetor by pressing upward on bowl drain (see Figure 7), which is located below carburetor cover (see Figure 1).

DRAIN FUEL INTO APPROVED CONTAINER OUTDOORS, AWAY FROM OPEN FLAME. BE SURE ENGINE IS COOL. DO NOT SMOKE.

NOTE: Do not drain carburetor if using fuel stabilizer.

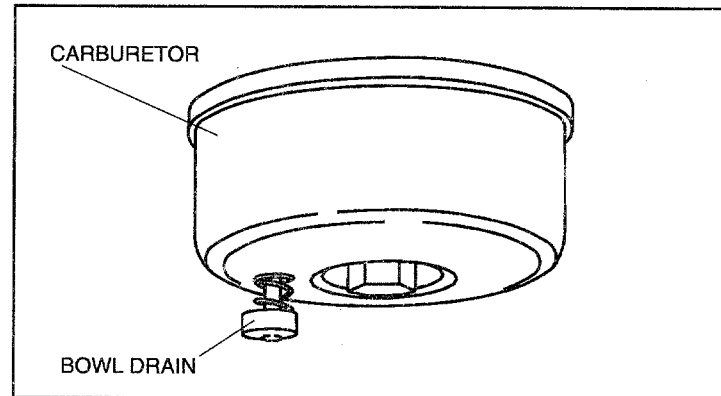


Figure 7

③ CHANGE OIL:

Change oil if it has not been changed in the last three (3) months. See "CHANGE OIL" instructions in "MAINTENANCE" section.

④ OIL CYLINDER BORE:

- Remove spark plug. Squirt one (1) oz. (30 ml) of clean engine oil into spark plug hole.
- Cover spark plug hole with a rag.
- Crank engine over, slowly, several times.

AVOID SPRAY FROM SPARK PLUG HOLE WHEN CRANKING ENGINE OVER SLOWLY.

- Install spark plug. Do not connect spark plug wire.

⑤ CLEAN ENGINE:

Remove any snow, ice or slush from exterior of engine.

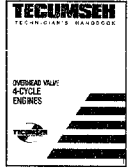
WARRANTY AND REPAIR



For engine adjustment, repairs, or warranty service not covered in this manual, contact you nearest AUTHORIZED TECUMSEH SERVICE OUTLET. It is listed in your telephone book yellow pages under "Engines, Gasoline."

If you have a general understanding of internal combustion engines and wish to repair and service your engine yourself, a "TECHNICIANS HANDBOOK" which covers repairs and adjustments not covered in this OPERATOR'S MANUAL is available from your AUTHORIZED TECUMSEH SERVICE OUTLET. Order as Part No. 695244.

Tecumseh manufactures and is responsible only for the engine used on this power equipment. If repair or service is needed for unit, other than engine, contact service source as recommended by equipment manufacturer.



Warranty requirements for engines sold outside of the USA may vary from country to country. For warranty details for your specific country, contact your national Tecumseh Service Distributor. If help is needed in locating your national service distributor, you may contact Tecumseh c/o International Service Coordinator, Engine & Transmission Group Service Division, 900 North Street, Grafton, Wisconsin USA 53024-1499. Telephone in USA is 262-377-2700.

LIMITED WARRANTY FOR NEW TECUMSEH ENGINES AND ELECTRONIC IGNITION MODULES

For the time period shown below from the date of purchase and subject to the exceptions and limitations described herein, Tecumseh Products Company will, at its option as the exclusive remedy, either repair or replace for the original purchaser, free of charge, any part of any new Tecumseh engine which is found, upon examination by any Tecumseh Authorized Service Outlet or by Tecumseh's factory in Grafton, Wisconsin, to be **DEFECTIVE IN MATERIAL AND/OR WORKMANSHIP**. This Limited Warranty **DOES NOT COVER** (i) any Tecumseh engine or part(s) thereof used to power any vehicle in competitive racing and/or used on any commercial or rental track, or (ii) defects or damage caused by alterations or modifications of new Tecumseh engines or parts or by normal wear, accidents, improper maintenance, improper use or abuse of the product, or failure to follow the instructions contained in an Instruction Manual for the operation of the new Tecumseh engine or part. The cost of normal maintenance or replacement of service items which are not defective shall be paid for by the original purchaser. At the time warranty service is requested, evidence must be presented of the date of purchase by the original purchaser. Any charge for making service calls and/or for transporting any engine or part(s) thereof to and from the place where the inspection and/or warranty work is performed is payable solely by the purchaser. The purchaser is responsible for any damage or loss incurred in connection with the transportation of any engine or part(s) thereof submitted for inspection and/or warranty work. **WARRANTY SERVICE CAN ONLY BE PERFORMED BY A TECUMSEH AUTHORIZED SERVICE OUTLET.** Warranty service can be arranged by contacting a Tecumseh Authorized Service Outlet (any Tecumseh Registered Service Dealer, Tecumseh Authorized Service Distributor, or Tecumseh Central Warehouse Distributor) or by contacting Tecumseh c/o Service Manager, Engine and Transmission Group Service Division, 900 North Street, Grafton, Wisconsin USA 53024-1499.

ENGINE WARRANTY PERIOD				
Warranty Category†	"CONSUMER USE" +		"COMMERCIAL USE" ++	
	Within U.S.A. and Canada	Outside U.S.A. and Canada	Within U.S.A. and Canada	Outside U.S.A. and Canada
(A)	90 day	90 day	No Warranty	No Warranty
(B)	1 Year	1 Year	1 Year	1 Year
(C)	2 Years	1 Year	1 Year	1 Year
(D)	2 Years	2 Years**	1 Year	1 Year
(E)	2 Years	2 Years	1 Year	1 Year
(H)	2 'n 10*	2 'n 10*	1 Year	1 Year
(K)	2 'n 10*	2 'n 10*	2 'n 10*	1 Year

* 2 years on engine and 10 years (first 5 years covering parts and labor only, the second 5 years covering parts only) on electronic ignition.

** 1 year for Australia/New Zealand for rotary mower engines.

+ For purposes of this warranty policy, "consumer use" shall mean consumer's personal, residential, household use by the original retail purchaser.

++ For purposes of this warranty policy, "commercial use" shall mean all other uses, including use for commercial, income producing, or rental purposes.

†The engine warranty category of your engine can be determined by review of the engine model number on the "Important Engine Information" decal. One letter in the engine model number will be surrounded by parens (A), (B), (C), (D), (E), (H) or (K) and that letter is your engine warranty category designation. IN CALIFORNIA ONLY, THIS EXPRESS WARRANTY IS SUPPLEMENTED BY THE TECUMSEH CALIFORNIA EMISSION CONTROL WARRANTY STATEMENT.

THIS EXPRESS WARRANTY IS IN LIEU OF ALL OTHER EXPRESS WARRANTIES. Neither Tecumseh nor any of its affiliates makes any warranties, representations, or promises, written or oral, as to the quality of the engine or any of its parts, other than as set forth herein. **ANY IMPLIED WARRANTY OF MERCHANTABILITY, MERCHANTABILITY, OR FITNESS FOR A PARTICULAR PURPOSE, TO THE EXTENT THAT EITHER MAY APPLY TO ANY TECUMSEH ENGINE OR PART(S) THEREOF, SHALL BE LIMITED IN DURATION TO THE PERIODS OF THE EXPRESS WARRANTIES SHOWN IN THE WARRANTY PERIOD CHART ABOVE AND TO THE EXTENT PERMITTED BY LAW ANY AND ALL IMPLIED WARRANTIES ARE EXCLUDED. IN NO EVENT WILL TECUMSEH BE LIABLE FOR ANY INDIRECT, INCIDENTAL, CONSEQUENTIAL OR SPECIAL DAMAGES AND/OR EXPENSES, INCLUDING, BUT NOT LIMITED TO, ANY LOSS OF TIME, INCONVENIENCE, LOSS OF UNIT USE OR ANY COST OR EXPENSE OF SUBSTITUTE UNITS DURING PERIODS OF MALFUNCTION OR NON-USE.** Some states do not allow limitations on how long an implied warranty lasts or the exclusion or limitation of incidental or consequential damages, so the above limitation(s) or exclusion(s) may not apply to you. This Limited Warranty gives you specific legal rights and you may also have other legal rights which vary from state-to-state.

Tecumseh neither assumes nor authorizes any other person, natural or corporate, to assume for Tecumseh any other obligations or liabilities in connection with or with respect to any Tecumseh product or parts. The seller or dealer of a Tecumseh product or part has no authority, whatsoever, to make any representations or promises on behalf of Tecumseh or to modify the terms or limitations of Tecumseh's warranty in any way.

March 2000

FILL IN:

ENGINE MODEL SPEC. NUMBER WARRANTY PERIOD SERIAL NUMBER

EXAMPLE: OHSK90 ENGINE MODEL

223000A SPEC. NUMBER

(H) WARRANTY PERIOD

4091A SERIAL NUMBER



TECUMSEH PRODUCTS COMPANY

Engine & Transmission Service Group Service Division • 900 North Street • Grafton, WI, USA • 53024-1499

CALIFORNIA & US EPA EMISSION CONTROL WARRANTY STATEMENT

The U. S. Environmental Protection Agency ("EPA"), the California Air Resources Board ("CARB") and Tecumseh Products Co. are pleased to explain the Federal and California Emission Control Systems Warranty on your new small off-road engine. In California, new 1995 and later small off-road engines must be designed, built and equipped to meet the State's stringent anti-smog standards. In other states, new 1997 and later model year engines must be designed, built and equipped, at the time of sale, to meet the U.S. EPA regulations for small non-road engines. Tecumseh Products Co. will warrant the emission control system on your small off-road engine for the periods of time listed below, provided there has been no abuse, neglect, unapproved modification, or improper maintenance of your small off-road engine.

Your emission control system may include parts such as the carburetor, ignition system and exhaust system. Also included may be the compression release system and other emission-related assemblies.

Where a warrantable condition exists, Tecumseh Products Co. will repair your small off-road engine at no cost to you for diagnosis, parts and labor.

MANUFACTURER'S EMISSION CONTROL SYSTEM WARRANTY COVERAGE

Emission control systems on 1995 and later model year California small off-road engines are warranted for two years as hereinafter noted. In other states, 1997 and later model year engines are also warranted for two years. If, during such warranty period, any emission-related part on your engine is defective in materials or workmanship, the part will be repaired or replaced by Tecumseh Products Co.

OWNER'S WARRANTY RESPONSIBILITIES

As the small off-road engine owner, you are responsible for the performance of the required maintenance listed in your Owner's Manual, but Tecumseh Products Co. will not deny warranty solely due to the lack of receipts or for your failure to provide written evidence of the performance of all scheduled maintenance.

As the small off-road engine owner, you should, however, be aware that Tecumseh Products Co. may deny you warranty coverage if your small off-road engine or a part thereof has failed due to abuse, neglect, improper maintenance or unapproved modifications.

You are responsible for presenting your small off-road engine to a Tecumseh Authorized Service Outlet (any Tecumseh Registered Service Dealer, Tecumseh Authorized Service Distributor or Tecumseh Central Warehouse Distributor) as soon as a problem exists. The warranty repairs should be completed in a reasonable amount of time, not to exceed 30 days.

Warranty service can be arranged by contacting either a Tecumseh Authorized Service Outlet or by contacting Tecumseh Products Co., c/o Service Manager, Engine and Transmission Group Service Division, 900 North Street, Grafton, WI 53024-1499. Telephone 1-262-377-2700, or see your local telephone yellow pages under "Engines, Gasoline" for the name, address and telephone number of a Tecumseh Authorized Service Outlet near you.

IMPORTANT NOTE

This warranty statement explains your rights and obligations under the Emission Control System Warranty ("ECS Warranty") which is provided to you by Tecumseh Products Co. pursuant to California law. Tecumseh Products Co. also provides to original purchasers of new Tecumseh Products Co. engines. The Tecumseh Products Co. Limited Warranties for New Tecumseh Engine and Electronic Ignition Modules ("Tecumseh Products Co. Warranty") which is enclosed with all new Tecumseh Products Co. engines on a separate sheet. The ECS Warranty applies only to the emission control system of your new engine. To the extent that there is any conflict in terms between the ECS Warranty and the Tecumseh Products Co. Warranty, the ECS Warranty shall apply except in any circumstances in which the Tecumseh Products Co. Warranty may provide a longer warranty period. Both the ECS Warranty and the Tecumseh Products Co. Warranty describe important rights and obligations with respect to your new engine.

Warranty service can only be performed by a Tecumseh Products Co. Authorized Service Outlet, or by Tecumseh Products Co. at its factory in Grafton, WI. At the time of requesting warranty service, evidence must be presented of the date of sale to the original purchaser. The purchaser shall pay any charges for making service calls and/or for transporting the products to and from the place where the inspection and/or warranty work is performed. The purchaser shall be responsible for any damage or loss incurred in connection with the transportation of any engine or any part(s) thereof submitted for inspection and/or warranty work.

If you have any questions regarding your warranty rights and responsibilities, you should contact Tecumseh Products Co. at 1-262-377-2700.

EMISSION CONTROL SYSTEM WARRANTY

Emission Control System Warranty ("ECS Warranty") for 1995 and later model year California small off-road engines (for other states, 1997 and later model year engines):

A. **APPLICABILITY:** This warranty shall apply to 1995 and later model year California small off-road engines (for other states, 1997 and later model year engines). The ECS Warranty Period shall begin on the date the new engine or equipment is delivered to its original, end-use purchaser, and shall continue for 24 consecutive months thereafter.

B. **GENERAL EMISSIONS WARRANTY COVERAGE:** Tecumseh Products Co. warrants to the original, end-use purchaser of the new engine or equipment and to each subsequent purchaser that each of its small off-road engines is:

1. Designed, built and equipped so as to conform with all applicable regulations adopted by the Air Resources Board pursuant to its authority in Chapters 1 and 2, Part 5, Division 26 of the Health and Safety Code, and
2. Free from defects in materials and workmanship which, at any time during the ECS Warranty Period, will cause a warranted emissions-related part to fail to be identical in all material respects to the part as described in the engine manufacturer's application for certification.

C. The ECS Warranty only pertains to emissions-related parts on your engine, as follows:

1. Any warranted, emissions-related parts which are not scheduled for replacement as required maintenance in the Owner's Manual shall be warranted for the ECS Warranty Period. If any such part fails during the ECS Warranty Period, it shall be repaired or replaced by Tecumseh Products Co. according to Subsection 4 below. Any such part repaired or replaced under the ECS Warranty shall be warranted for any remainder of the ECS Warranty Period.
2. Any warranted, emissions-related part which is scheduled only for regular inspection as specified in the Owner's Manual shall be warranted for the ECS Warranty Period. A statement in such written instructions to the effect of "repair or replace as necessary", shall not reduce the ECS Warranty Period. Any such part repaired or replaced under the ECS Warranty shall be warranted for the remainder of the ECS Warranty Period.
3. Any warranted, emissions-related part which is scheduled for replacement as required maintenance in the Owner's Manual, shall be warranted for the period of time prior to the first scheduled replacement point for that part. If the part fails prior to the first scheduled replacement, the part shall be repaired or replaced by Tecumseh Products Co. according to Subsection 4 below. Any such emissions-related part repaired or replaced under the ECS Warranty, shall be warranted for the remainder of the ECS Warranty Period prior to the first scheduled replacement point for such emissions-related part.
4. Repair or replacement of any warranted, emissions-related part under this ECS Warranty shall be performed at no charge to the owner at a Tecumseh Authorized Service Outlet.

5. The owner shall not be charged for diagnostic labor which leads to the determination that a part covered by the ECS Warranty is in fact defective, provided that such diagnostic work is performed at a Tecumseh Authorized Service Outlet.

6. Tecumseh Products Co. shall be liable for damages to other original engine components or approved modifications proximately caused by a failure under warranty of an emission-related part covered by the ECS Warranty.

7. Throughout the ECS Warranty Period, Tecumseh Products Co. shall maintain a supply of warranted emission-related parts sufficient to meet the expected demand for such emission-related parts.

8. Any Tecumseh Products Co. authorized and approved emission-related replacement part may be used in the performance of any ECS Warranty maintenance or repair and will be provided without charge to the owner. Such use shall not reduce Tecumseh Products Co. ECS Warranty obligations.

9. Unapproved add-on or modified parts may not be used to modify or repair a Tecumseh Products Co. engine. Such use voids this ECS Warranty and shall be sufficient grounds for disallowing an ECS Warranty claim. Tecumseh Products Co. shall not be liable hereunder for failures of any warranted parts of a Tecumseh Products Co. engine caused by the use of such an unapproved add-on or modified part.

EMISSION-RELATED PARTS INCLUDE THE FOLLOWING:

1. Carburetor Assembly and its Internal Components
 - a) Fuel filter
 - b) Carburetor gaskets
 - c) Intake pipe
2. Air Cleaner Assembly
 - a) Air filter element
3. Ignition System, including:
 - a) Spark plug
 - b) Ignition module
 - c) Flywheel assembly
4. Catalytic Muffler (*if so equipped*)
 - a) Muffler gasket (*if so equipped*)
 - b) Exhaust manifold (*if so equipped*)
5. Crankcase Breather Assembly and its Components
 - a) Breather connection tube