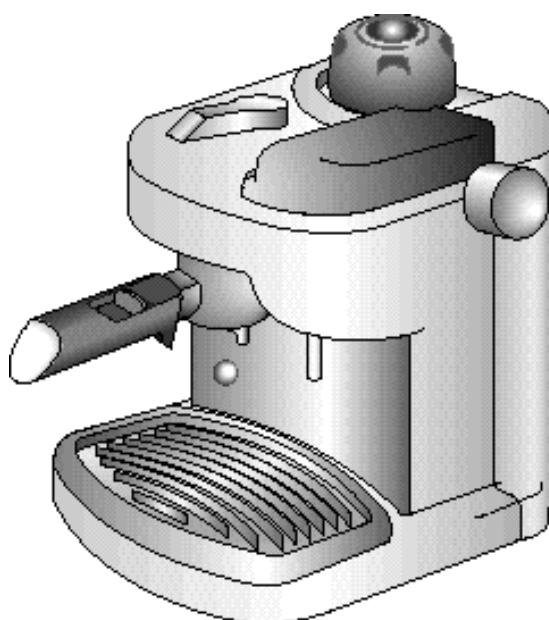
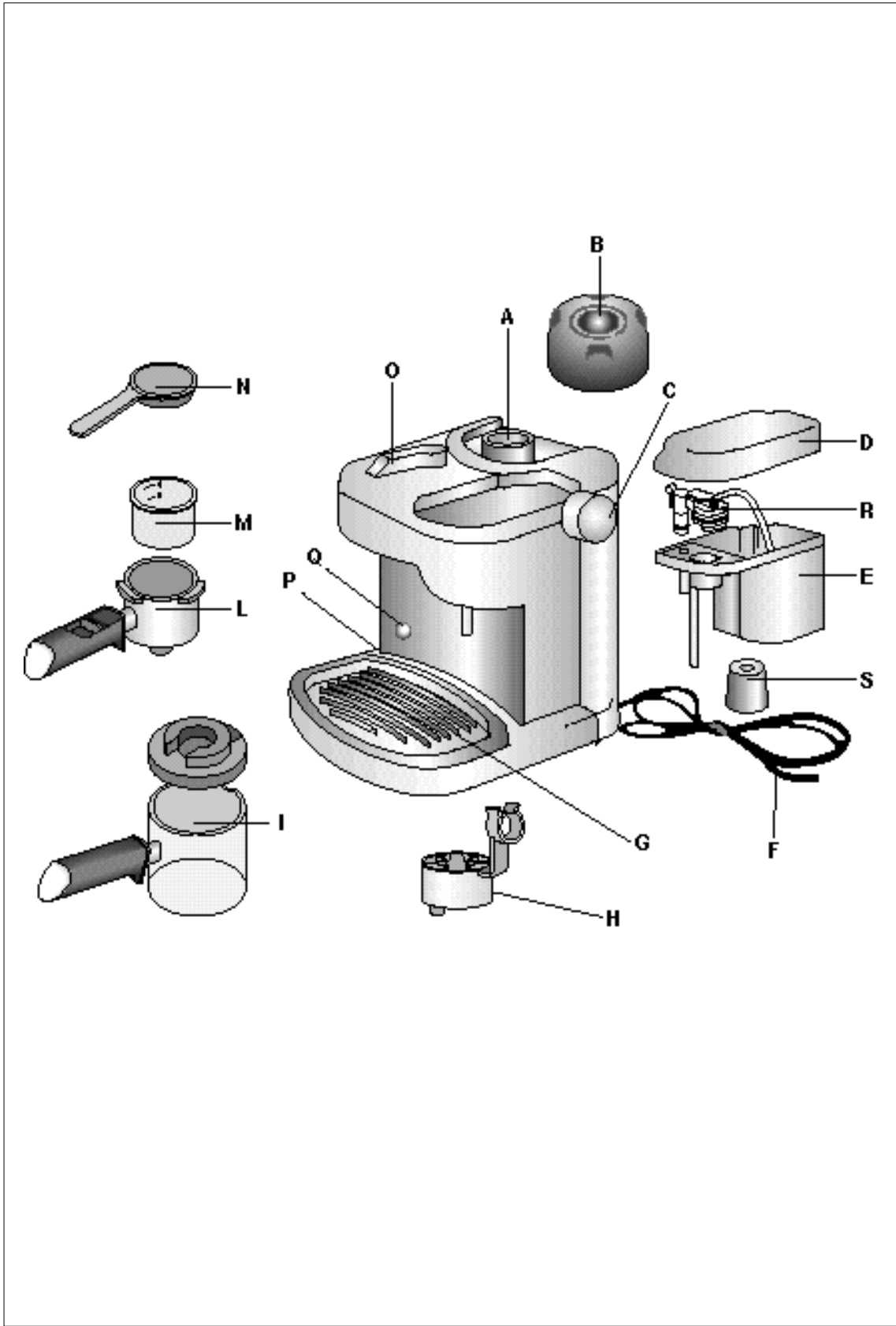

COFFEE MACHINE
MACHINE A CAFE
CAFETERA ELÉCTRICA

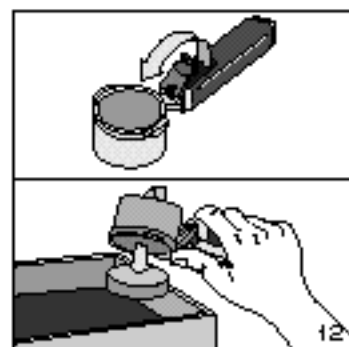
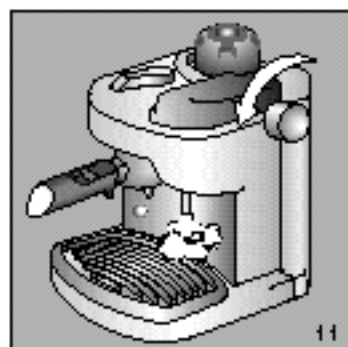
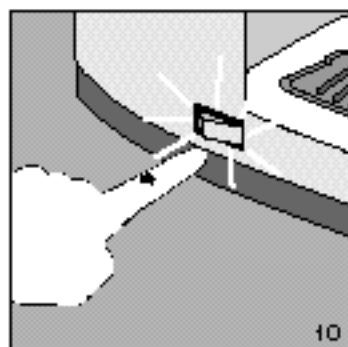
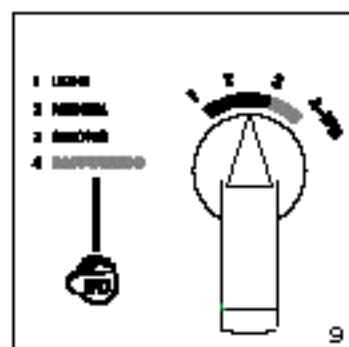
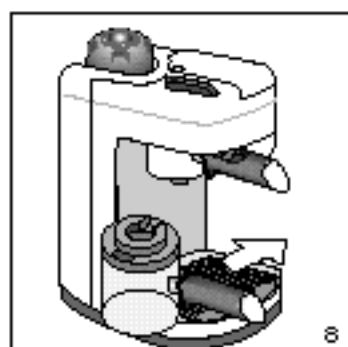
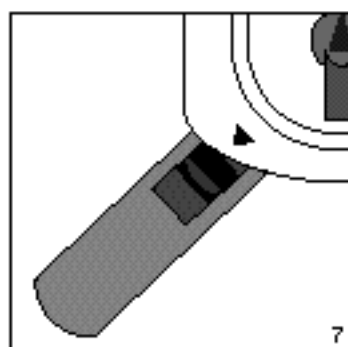
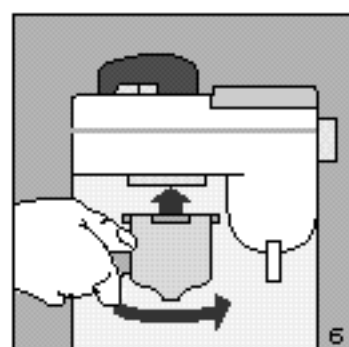
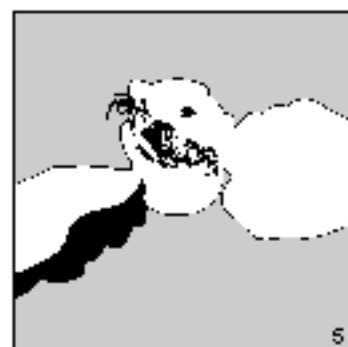
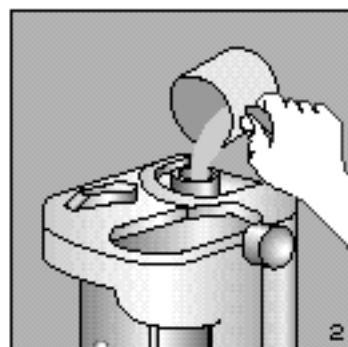
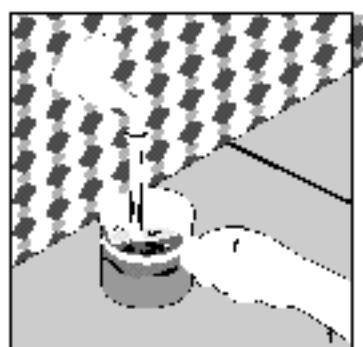


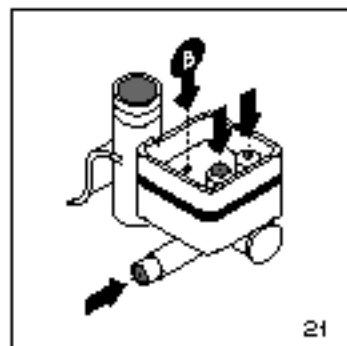
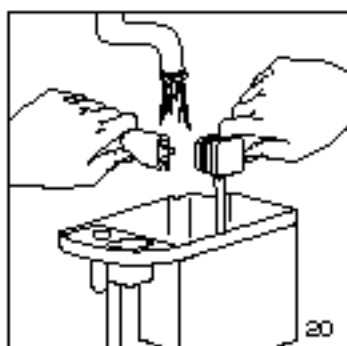
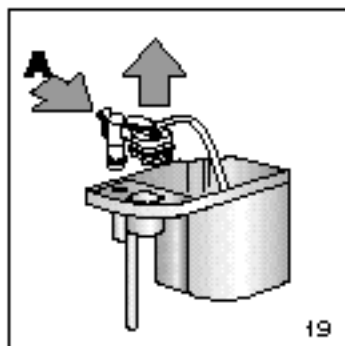
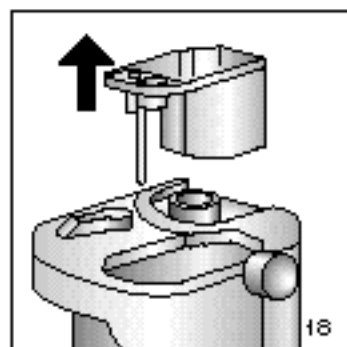
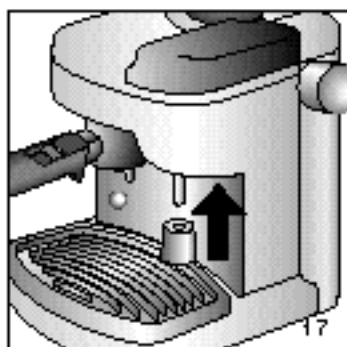
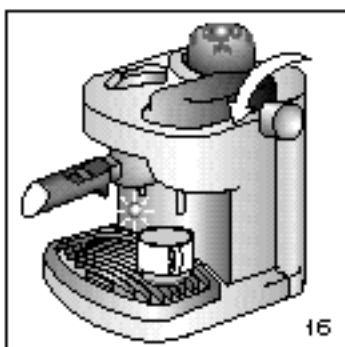
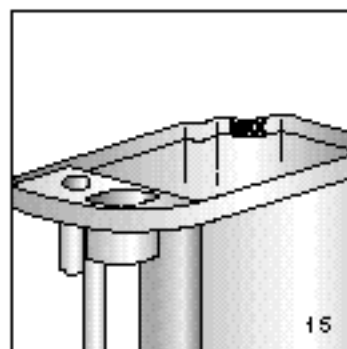
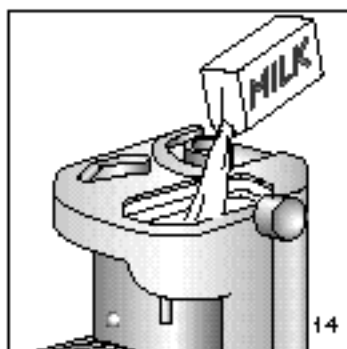
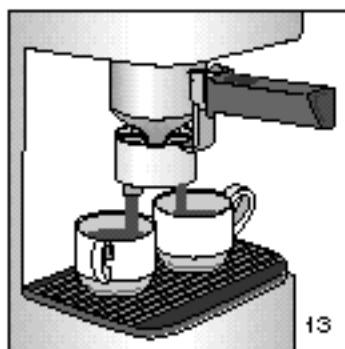
Owner's instructions
Mode d'emploi
Instrucciones para el uso



READ AND SAVE THESE INSTRUCTIONS
BAR 8









IMPORTANT SAFEGUARDS

When using electrical appliances, basic safety precautions should always be followed, including the following:

- Read all instructions.
- Do not touch hot surfaces. Use handles and knobs.
- To protect against fire, electrical shock and personal injury, do not immerse cord, plug or appliance in water or other liquid.
- Close supervision is necessary when any appliance is used by or near children.
- Unplug from the outlet when not in use and before cleaning. Allow to cool before fitting or taking off parts, and before cleaning the appliance.
- Do not operate with a damaged cord or plug, or after the appliance malfunctions, or has been damaged in any manner. Return the appliance to the nearest authorized service facility for examination, repair or adjustment.
- The use of accessory attachments or spare parts not recommended by the appliance manufacturer may result in fire, electrical shock or personal injury.
- Do not use outdoors.
- Do not let the cord hang over the edge of the table or counter, or touch hot surfaces.
- Do not place on or near a hot gas or electrical burner, or in a heated oven.
- To disconnect the appliance, turn any control to "off", then remove plug from wall outlet.
- Do not use the appliance for other than the intended use.
- This appliance is for household use only.

SAVE THESE INSTRUCTIONS

SHORT CORD INSTRUCTIONS

- A short power cord is provided to reduce risks resulting from becoming entangled in or tripping over a longer cord.
- Longer, detachable power supply cords or extension cords are available and may be used if care is exercised in their use.
- If an extension cord is used, the marked electrical rating should be at least as great as the electrical rating of the appliance. The longer cord should be arranged so that it will not drape over the counter-top or table top where it can be pulled on by children or tripped over.
- Your product is equipped with a polarized alternating current line plug (a plug having one blade wider than the other). This plug will fit into the power outlet only one way. This is a safety feature. If you are unable to insert the plug fully into the outlet, try reversing the plug. If the plug should still fail to fit, contact your electrician to replace your obsolete outlet. Do not defeat the safety purpose of the polarized plug.

APPLIANCE DESCRIPTION

(See drawing on page 3)

The following terminology and letters of reference will be used continuously in the following pages:

- A. Boiler
- B. Cap
- C. Steam knob
- D. Milk tank lid
- E. Milk tank
- F. Supply cable
- G. Drip tank
- H. Cup adaptor
- I. Carafe with lid
- L. Filter holder
- M. Filter
- N. Measuring spoon
- O. Selector for STRONG, MEDIUM or LIGHT coffee and CAPPUCCINO
- P. Switch light
- Q. "OK steam ready" pilot light
- R. Emulsifier
- S. Antisplash hood.

PREPARING THE COFFEE

1. Unscrew the boiler cap (B), turning it in an anti-clockwise direction.
2. Using the carafe (I) supplied (fig. 1), pour the water in the boiler (fig. 2) respecting the quantities shown in the table at the end of the text. Do not exceed the quantities shown or the appliance will cease to work properly. The filling of the boiler must be carried out with the switch light (P) off.
3. Close the boiler cap carefully by turning it in a clockwise direction.
4. Insert the filter in the filter holder (fig. 3).
5. Using the measuring spoon (N), pour the coffee into the filter, respecting the amounts shown in the table at the end of the text, and spread it evenly (fig. 4). Use medium-ground coffee because coffee which is too finely-ground can cause the filter to become blocked (MOKA coffee is suitable).
6. Remove any excess coffee from the edge of the filter (fig. 5).
7. To attach the filter holder to the machine, bring the filter holder under the boiler shower (fig. 6), aligning its handle with the arrow marked on the lid of the machine (fig. 7). Next, push the filter holder up and at the same time turn it completely to the

right. It is of no importance if the handle of the filter holder is not centred in relation to the machine; it is, however, important for the filter holder to be situated firmly in its housing.

8. The carafe with lid must be positioned under the filter holder in such a way that the spout of the filter holder is inside the opening contained on the lid (fig. 8).
9. Set the selector (O) to the type of coffee required: "1 LIGHT" for a weak coffee, "2 MEDIUM" for a normal coffee, "3 STRONG" for a strong coffee (fig. 9).
10. Check that the steam knob (C) is turned off firmly and press the switch light. The pilot light will come on (fig. 10).
11. It takes approx. 3 minutes for the coffee to start to come out. After it has been emitted, turn off the switch light.

WARNING: In order to avoid puffs of steam, you must always eliminate the residual steam inside the boiler by turning the steam knob to let out all the steam before removing the filter holder (fig. 11).

NOTE: For safety reasons, it is not possible to open the boiler cap when the boiler is hot as the cap turns without unscrewing. If it has to be removed for any reason, it is always necessary to let off steam from the boiler using the steam knob as described immediately above.

12. In order to eliminate the coffee grounds from the filter holder, turn it upside down and beat it repeatedly so that the grounds come out (fig. 12). Alternatively, rinse the filter holder and the filter itself under running water.
WARNING: To eliminate the "new" smell the first time the appliance is used, complete the coffee cycle a few times without using the coffee powder.

ADAPTOR ASSEMBLY

The adaptor (H) must be used every time the coffee is required to be made directly in the cup. For it to be assembled, it only needs to be inserted in the lower part of the filter holder (fig. 13).

PREPARING CUPPUCCINOS

1. Pour the amount of milk shown in the table at the end of the text into the carafe before pouring it into the milk tank (E). Never exceed the MAX level marked on the tank (fig. 15), otherwise the machine could continue to drip milk from the tank pipe

even after it has completed the frothing stage. Fresh milk must be used which has not been boiled and above all which is not warm.

2. Prepare the coffee as described in the paragraph headed "PREPARING THE COFFEE" from point 1 to point 10, using, however, only the amount of water needed to obtain 2 cups of cappuccino as prescribed in the table at the end of the text. Note that the amount of water needed to make 2 cups of cappuccino is greater than that required for 2 cups of normal coffee as it also necessary to produce the steam to emulsify the milk. The coffee selector (O) must be set to the position "2 MEDIUM".
3. Allow the coffee to trickle into the carafe until it reaches the level 2 marked.
WARNING: It is the level of the darker coffee which lies a little below the lighter-coloured cream rather than the level of the cream itself which has to match with line 2. This operation must be carried out with great care: if the level of the coffee should exceed line 2, there will no longer be enough steam left at the end to froth the milk.
Pour the coffee equally into two cups.
4. Set the coffee selector to "4 CAPPUCCINO":
5. Position the cups containing the coffee one at a time under the milk tank pipe and wait for the "OK steam ready" pilot light to come on (Q, fig. 16). The antisplash hood (S) should be inserted on the milk tank pipe (fig. 17) to avoid the milk from splashing if small cups are used.
6. Turn the steam knob in an anti-clockwise direction; the frothy milk will begin to come out of the pipe. In order to achieve good frothing and to avoid milk from splashing the steam knob needs to be turned fully round at least once. Continue the process until half the milk tank has been emptied before shutting off the steam by turning the knob in a clockwise direction.
7. Also fill the 2nd cup by repeating the previous process until the whole milk tank has been emptied. WARNING: Always wait for the "OK steam ready" pilot light (fig. 16) to come on before filling the second cup.
8. Immediately after preparing the cups of cappuccino, pour a little water into the milk tank and place the carafe under the milk tank pipe. Turn the steam knob and let all the steam out.
WARNING: Even if it may seem pointless, it is essential for this process to be carried out every

time in order to empty the boiler completely of any residual water or steam which would otherwise prevent the appliance from working properly when it was next used. This operation also serves to clean all the holes in the emulsifier and to empty the internal circuits of any residual milk.

CLEANING AND MAINTENANCE

Before carrying out any cleaning or maintenance work, disconnect the appliance from the electrical power supply by pulling out the plug.

Cleaning the Milk Frother

Remember to clean the milk frother after each use as follows:

- Remove the milk tank by pushing the "PRESS" lever while at the same time pulling it upwards, and wash the tank with warm water (fig. 18).
- Remove the emulsifier (R) by pressing on the lever (A) while at the same time pulling it upwards (fig. 19). Remove the rubber mixer (fig. 20), especially wash and clean with warm water the holes shown in fig. 21 (clean them using a needle). Check that the hole marked with the arrow B is not blocked (fig. 21). Once they have been cleaned, all the pieces must be reassembled correctly. Pay attention that the rubber mixer is firmly pushed down and the red emulsifier is pushed till you hear clic. If the appliance is not cleaned this way every time it is used the milk may fail to froth properly or may fail to be sucked up, or it may drip from the milk tank pipe.

Other Cleaning

- The carafe, filter holder and filter should be cleaned regularly, too.
- Neither solvents nor abrasive detergents must be used for the cleaning of the machine's plastic components. A damp cloth is sufficient.
- The machine must NEVER be immersed in water.

DESCALING

If the water in your area is hard, the minerals and the limestone which it contains will accumulate with the passing of time. The limestone deposits may prevent the appliance from working properly.

Approx. every 6 months (depending on the hardness of the water) your coffee machine should therefore be descaled with vinegar.

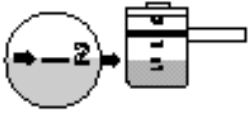
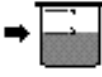
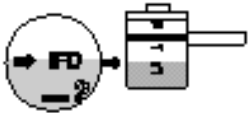
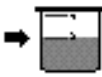
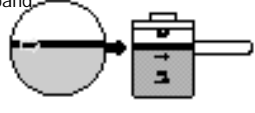
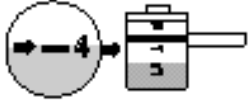
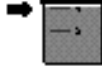
Proceed as follows:

1. Fill the carafe with vinegar and pour the vinegar into the boiler;
2. Close the tank cap properly;
3. Attach the filter holder;

4. Position the carafe under the filter holder;
5. Turn the machine on and set the coffee selector to the "1 LIGHT" position;
6. After a few minutes, the hot vinegar will flow through the filter holder into the carafe;
7. Place a glass or a cup under the milk pipe. Turn the steam knob in an anti-clockwise direction for a few moments.
8. When the process has been completed, turn off the appliance and let it cool down. Remove the carafe and detach the filter holder. Rinse them with hot water.
9. Repeat this process at least twice with cold water in order to remove any traces of vinegar.

SERVICE AND REPAIR

If the appliance should break down or fail to work properly, contact your nearest authorised technical service centre. Repairs carried out by unauthorised staff will invalidate the guarantee.

| To make | Amount of water in the carafe | Amount of coffee in the filter | Amount of milk in the carafe |
|---------------|----------------------------------------------------------------------------------------------------------------------------------------------------------------|-------------------------------------------------------------------------------------|---------------------------------------------------------------------------------------------------------------------------------------------------------------------|
| 2 coffees | The level of water must correspond to the line marked 2 on the carafe  |  | |
| 2 cappuccinos | The level of water must correspond to the line marked 1FD on the carafe  |  | The level of the milk must correspond to the lower limit of the metal band  |
| 4 coffees | The level of water must correspond to the line marked 4 on the carafe  |  | |



Limited Warranty

What Does This Warranty Cover? We warrant each Espresso Coffee Machine to be free from defects in material and workmanship. Our obligation under this warranty is limited to replacement or repair, free of charge at our factory or authorized service centers, of any defective part or parts there of other than parts damaged in transit, which shall be returned to us, transportation prepaid. This warranty shall apply only if the Espresso Coffee Machine is used in accordance with the factory directions which accompany it.

How Long Does The Coverage Last? This warranty runs for one year from the date of delivery and applies only to the original purchaser.

What Does This Warranty Not Cover? This warranty does not cover defects or damage of the Espresso Coffee Machine which result from repairs or alterations to the machine outside our factory or authorized service centers, nor shall it apply to any Espresso Coffee Machine which has been subject to abuse, misuse, negligence or accidents. Also, consequential and incidental damages resulting from the use of this product or arising out of any breach of contract or breach of this warranty are not recoverable under this warranty. Some states do not allow the exclusion or limitation of incidental or consequential damages, so the above limitation may not apply to you.

How Do You Get Service? If repairs become necessary or spare parts are needed, please write to:

De'Longhi America Inc.
625, Washington Avenue
Carlstadt N.J. 07072

or call Service Tel. No. 800-322-3848

The above warranty is in lieu of all other express warranties and representations; All implied warranties are limited to the applicable warranty period set forth above. This limitation does apply if you enter into an extended warranty with De'Longhi. Some states do not allow limitations on how long an implied warranty lasts, so the above exclusions connection with the sale or use of its Espresso Coffee Machine.

How Does State Law Apply? This warranty gives you specific legal rights, and you may also have other rights which vary from state to state.



MESURES DE SECURITE IMPORTANTES

Lors de l'utilisation d'un appareil électroménager, il faut toujours prendre certaines précautions de base :

- Lire toutes les instructions.
- Ne pas toucher les surfaces chaudes; se servir des poignées ou des boutons.
- Afin d'éviter les incendies, les chocs électriques et les blessures aux personnes, ne pas immerger le cordon, la fiche ou l'appareil dans l'eau ou tout autre liquide.
- Faites très attention lorsqu'un appareil est utilisé par un enfant ou se trouve à sa portée.
- Débrancher l'appareil lorsqu'il n'est pas utilisé et avant de le nettoyer. Le laisser refroidir avant d'installer ou d'enlever des pièces ou avant de le nettoyer.
- Il est déconseillé d'utiliser l'appareil si le cordon ou la fiche sont endommagés, défectueux ou s'ils ont subi des dommages. Il est en effet préférable de renvoyer l'appareil à un centre de service après-vente autorisé.
- L'utilisation d'accessoires non recommandés par le fabricant peut causer des incendies, des chocs électriques et des blessures.
- Ne pas utiliser l'appareil à l'extérieur.
- Ne pas laisser le cordon pendre d'une table ou d'un comptoir ou entrer en contact avec une surface chaude.
- Ne pas placer l'appareil sur ou près d'une cuisinière à gaz ou électrique ou dans un four chaud.
- Brancher tout d'abord la fiche à l'appareil, puis brancher la fiche du cordon à la prise. Pour débrancher l'appareil, tourner n'importe quelle commande sur la position "OFF", puis enlever la fiche de la prise.
- Il ne faut utiliser l'appareil que pour les fonctions qui lui sont attribuées.

CONSERVEZ CES INSTRUCTIONS

CORDON SPECIAL

- L'appareil est muni d'un cordon d'alimentation court (ou bien un cordon d'alimentation détachable) pour réduire les risques d'enchevêtrement et la possibilité de trébucher sur un cordon plus long.
- Des cordons d'alimentation détachables plus longs ou des fils de rallonge sont également disponibles; il faut cependant les utiliser avec précaution.
- Si l'on utilise un cordon long détachable ou une rallonge, les spécifications électriques du cordon ou de la rallonge doivent être au moins de la même valeur que celles de l'appareil. Si l'appareil est équipé d'une mise à terre, la rallonge doit être de même un cordon à trois fils avec terre, et le cordon long doit être rangé de telle façon qu'il ne soit pas étalé sur le comptoir ou sur la table, où il pourrait être tiré par les enfants, ou sur lequel on pourrait trébucher.
- Votre produit est muni d'une fiche polarisée de courant alternatif (à savoir une fiche ayant une dent plus large que l'autre). Cette fiche ne peut être enfoncée dans la prise que dans une seule position. Il s'agit d'une mesure de sécurité. Si vous ne pouvez pas enfoncer complètement la fiche dans la prise essayez de la tourner. Si malgré tout vous ne pouvez pas encore la brancher, demandez à un électricien de remplacer la prise obsolète. Ne pas annuler la sécurité de la fiche polarisée.

DESCRIPTION DE L'APPAREIL

(Voir dessin à la page 3)

Les termes repris ci-après, ainsi que les lettres de référence correspondantes, seront utilisés dans les instructions fournies aux pages suivantes.

- A. Chaudière
- B. Bouchon
- C. Manette vapeur
- D. Couvercle réservoir lait
- E. Réservoir du lait
- F. Cordon d'alimentation
- G. Cuvette recueil-gouttes
- H. Adaptateur pour tasses
- I. Verseuse avec couvercle
- L. Coupelle porte-filtre
- M. Filtre
- N. Mesure
- O. Sélecteur pour café FORT, MOYEN ou LEGER et CAPPUCINO
- P. Interrupteur lumineux
- Q. Lampe témoin "OK" vapeur prête
- R. Emulseur
- S. Cloche anti-éclaboussure

PREPARATION DU CAFE

- Dévissez le bouchon (B) de la chaudière en le tournant dans le sens contraire aux aiguilles d'une montre.
- En utilisant la verseuse (I) fournie (fig. 1), versez l'eau dans la chaudière (fig. 2) en respectant les quantités indiquées dans le tableau présenté à la fin des présentes instructions. Ne dépassez jamais les quantités indiquées, cela pourrait provoquer un mauvais fonctionnement de l'appareil. La chaudière doit être remplie lorsque l'interrupteur lumineux (P) est éteint.
- Fermez soigneusement le bouchon de la chaudière en le tournant dans le sens des aiguilles d'une montre.
- Insérez le filtre dans la coupelle porte-filtre (fig. 3).
- A l'aide de la mesure (N) versez le café dans le filtre en respectant les quantités indiquées dans le tableau présenté à la fin des présentes instructions et distribuez-le de manière uniforme (fig. 4). Utilisez du café de mouture moyenne, étant donné que le café moulu trop fin pourrait obstruer le filtre (le café destiné aux cafetières italiennes MOKA est approprié).
- Enlevez l'éventuel excédent de café sur le bord du filtre (fig. 5).

- Pour accrocher la coupelle à la machine, amenez la coupelle en dessous de la douchette de la chaudière (fig. 6) en alignant sa poignée avec la flèche imprimée sur le couvercle de la machine (fig. 7). Poussez ensuite la coupelle vers le haut en la faisant tourner en même temps à fond vers la droite. Cela n'a aucune importance si la poignée de la coupelle porte-filtre n'est pas centrée par rapport à la machine. Par contre, il est important que la coupelle soit bien placée dans son logement.
- La verseuse avec couvercle doit être positionnée sous la coupelle porte-filtre de sorte que le bec de la coupelle se trouve à l'intérieur de l'ouverture présente sur le couvercle (fig. 8).
- Positionnez le sélecteur (O) sur le type de café que vous souhaitez obtenir: "1 LIGHT" pour un café allongé, "2 MEDIUM" pour un café normal, "3 STRONG" pour un café fort (fig. 9).
- Assurez-vous que la manette (C) vapeur soit bien fermée et appuyez sur l'interrupteur lumineux. Le voyant lumineux s'allumera (fig. 10).
- Le débit du café commence après 3 minutes environ. Après avoir fait le café, éteignez l'interrupteur lumineux.

ATTENTION: Avant d'enlever la coupelle porte-filtre, afin d'éviter des bouffées de vapeur, il est nécessaire de toujours éliminer la pression résiduelle à l'intérieur de la chaudière en la purgeant complètement en tournant la manette vapeur (fig. 11). Remarque: Pour des raisons de sécurité, lorsque la chaudière est chaude il n'est pas possible d'ouvrir son bouchon qui tourne fou. Si pour une raison quelconque il est nécessaire d'enlever le bouchon, ce dernier ne pourra être ouvert que lorsque la pression résiduelle aura été complètement évacuée de la chaudière à l'aide de la manette vapeur comme décrit au point précédent. Pour éliminer le marc du café de la coupelle, retournez-la et tapez-la à plusieurs reprises jusqu'au moment où le marc sort (fig. 12). Vous pouvez, si vous préférez, rincer la coupelle et le filtre sous l'eau courante.

ATTENTION: Lors de la première utilisation de la machine, afin de supprimer l'odeur typique du nouvel appareil, effectuez quelques cycles de café sans utiliser de mouture.

MONTAGE DE L'ADAPTATEUR

L'adaptateur (H) doit être utilisé chaque fois que vous souhaitez obtenir le café directement dans la tasse.

Pour l'installer, il suffit de l'introduire dans la partie inférieure de la coupelle (fig. 13).

PREPARATION DES CAPPUCINI

- Versez dans la verseuse la quantité de lait indiquée dans le tableau présenté à la fin des instructions, puis versez-la dans le réservoir du lait (E). Ne dépassez jamais le niveau Max. indiqué sur le réservoir (fig. 15) sinon du lait pourrait continuer à s'écouler du tuyau du réservoir même après avoir terminé le débit du lait mousseux. Il est indispensable que le lait soit frais et non bouilli, et surtout qu'il ne soit pas chaud.
- Préparez le café comme décrit au paragraphe "PREPARATION DU CAFE" du point 1 au point 10 en utilisant toutefois la quantité d'eau nécessaire pour obtenir 2 cappuccini comme indiqué dans le tableau présenté à la fin des instructions. Il convient de préciser qu'il faut une plus grande quantité d'eau pour préparer 2 cappuccini que pour préparer 2 cafés étant donné qu'il faut également la vapeur pour faire mousser le lait. Le sélecteur café (O) doit être placé sur la position "2 MEDIUM".
- Laissez couler le café à l'intérieur de la verseuse jusqu'à ce qu'il atteigne le niveau 2 imprimé sur la verseuse.
ATTENTION: La ligne 2 ne doit pas coïncider avec le niveau de la crème de couleur plus claire mais bien avec le niveau du café de couleur plus foncée qui se trouve juste en dessous de la crème. Cette opération doit être faite avec beaucoup d'attention: en effet, si le niveau de café dépasse la ligne 2 à la fin il ne restera plus assez de vapeur pour faire mousser le lait.
- Placez le sélecteur café sur la position "4 CAPPUCINO".
- Placez une à la fois les tasses contenant le café en dessous du tuyau du réservoir du lait et attendez que la lampe témoin "OK vapeur prête" s'allume (Q., fig. 16). Afin d'éviter les éclaboussures de lait lorsque vous utilisez des petites tasses, enfitez la cloche (S) anti-éclaboussure sur le tuyau du réservoir du lait (fig. 17).
- Tournez la manette vapeur dans le sens contraire aux aiguilles d'une montre. Le lait mousseux commencera à s'écouler du tuyau. Pour obtenir une belle mousse de lait et éviter les éclaboussures de lait, faites tourner la manette d'un tour complet au moins. Continuez l'opération de manière à vider la moitié du réservoir du lait, puis refermez la vapeur en tournant la manette dans le sens des aiguilles d'une montre.

- Remplissez ensuite la deuxième tasse en procédant de la même façon jusqu'à ce que le réservoir du lait soit complètement vide. ATTENTION: Avant de remplir la deuxième tasse, attendez toujours que la lampe témoin "OK vapeur prête" (fig. 16) soit allumée.
- Dès que vous avez préparé les cappuccini, versez immédiatement un peu d'eau dans le réservoir du lait et placez la verseuse en dessous du tuyau du réservoir du lait. Tournez la manette vapeur et laissez purger complètement.
ATTENTION: Même si cela pourrait sembler inutile, cette opération doit être absolument effectuée chaque fois afin d'évacuer complètement de la chaudière les éventuels résidus d'eau et de vapeur qui pourraient entraîner un mauvais fonctionnement lors de la prochaine utilisation de la machine. Cette opération sert, en outre, à nettoyer tous les orifices de l'émulseur et à éliminer des circuits intérieurs les éventuels résidus de lait.

NETTOYAGE ET ENTRETIEN

Avant d'effectuer toute opération de nettoyage ou d'entretien, débranchez l'appareil du réseau d'alimentation électrique en enlevant la fiche.

Nettoyage pour faire mousser le lait

Nettoyez le dispositif pour faire mousser le lait après chaque utilisation, de la manière suivante:

- Enlevez le réservoir du lait en appuyant sur le levier "PRESS" et en tirant simultanément vers le haut; lavez-le ensuite à l'eau chaude (fig. 18).
- Enlevez l'émulseur (R) en pressant le levier (A) et en tirant simultanément vers le haut (fig. 19). Enlevez le mélangeur de caoutchouc (fig. 20), lavez et nettoyez l'émulseur, surtout les orifices (fig. 21), à l'eau chaude. Veillez également à contrôler que l'orifice indiqué par la flèche B ne soit pas obstrué (nettoyez-le en utilisant la pointe d'une aiguille). Une fois nettoyés, tous les éléments doivent être remis en place correctement. Vérifiez notamment que le mélangeur de caoutchouc soit inséré bien à fond et que l'émulseur rouge soit inséré jusqu'à entendre clic. Si cette opération de nettoyage n'est pas effectuée après chaque utilisation, il peut arriver que le lait ne mousse pas bien, que le lait ne soit pas aspiré du réservoir ou que le lait s'écoule du tuyau du réservoir lait.

Autres opérations de nettoyage

- Nettoyez régulièrement aussi la verseuse, la coupelle et le filtre.

- Pour le nettoyage des éléments en plastique de la machine, n'utilisez jamais de solvants, détergents ou abrasifs. Utilisez tout simplement un linge doux.
- Ne plongez JAMAIS l'appareil dans l'eau.

DETARTRAGE

Si l'eau dans votre zone est dure, les minéraux et le calcaire contenus dans l'eau s'accumuleront au fil du temps. Les dépôts de calcaire peuvent entraîner un mauvais fonctionnement de votre appareil.

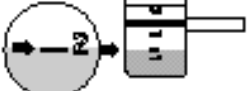

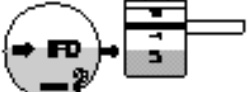

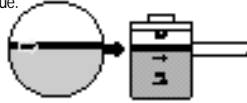
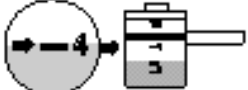

Tous les 6 mois environ (selon la dureté de l'eau), il est nécessaire de détartrer votre machine à café avec du vinaigre.

Procédez de la manière suivante:

- Remplissez la verseuse avec du vinaigre et versez-le dans la chaudière.
- Fermez le bouchon à fond.
- Accrochez la coupelle porte-filtre.
- Placez la verseuse en dessous de la coupelle porte-filtre.
- Allumez la machine et placez le sélecteur café sur la position "1 LIGHT".
- Après quelques minutes, le vinaigre chaud s'écoulera à travers le porte-filtre dans la verseuse.
- Placez un verre ou une tasse en dessous du tuyau du lait. Tournez la manette vapeur dans le sens contraire aux aiguilles d'une montre pendant quelques instants.

SERVICE APRES-VENTE

En cas de panne ou de mauvais fonctionnement de l'appareil, adressez-vous au centre de Service Après-Vente agréé le plus proche de chez vous. Toutes réparations effectuées par un personnel non autorisé entraîneront l'invalidation de la garantie.

| Pour préparer | Quantité d'eau dans la verseuse | Quantité de café dans le filtre | Quantité de lait dans la verseuse |
|---------------|--------------------------------------------------------------------------------------------------------------------------------------------------------------------------------|-------------------------------------------------------------------------------------|---------------------------------------------------------------------------------------------------------------------------------------------------------------------------------------|
| 2 cafés | Le niveau d'eau doit correspondre avec la ligne du symbole 2 imprimé sur la verseuse.  |  | |
| 2 cappuccini | Le niveau d'eau doit correspondre avec la ligne du symbole IFD imprimé sur la verseuse.  |  | Le niveau du lait doit correspondre avec la limite inférieure de la petite bande métallique.  |
| 4 cafés | Le niveau d'eau doit correspondre avec la ligne du symbole 4 imprimé sur la verseuse.  |  | |



GARANTIE

Nous garantissons que tous les APPAREILS ELECTRIQUES DE' LONGHI sont exempts de tout défaut de matériaux et de manufacture. Notre obligation sous cette garantie est limitée au remplacement ou à la réparation gratuite dans notre usine de toutes les pièces défectueuses autre que les pièces endommagées durant le transport, qui nous seront retournées - transport pré-payé - en dedans d'un an après la livraison à l'acheteur - utilisateur. Cette garantie ne sera applicable que si l'appareil a été utilisé selon les instructions du fabricant qui accompagnent l'appareil, et sur courant alternatif (AC). Cette garantie remplace toutes les autres garanties et représentations, exprimées ou implicites, et toute autre obligation ou responsabilité de notre part. Nous n'autorisons aucune autre personne ou compagnie à assumer pour nous une quelconque responsabilité en relation avec la vente ou l'utilisation de nos appareils.

Cette garantie ne s'appliquera ni aux appareils qui seront réparés ou endommagés hors de notre usine, ni aux appareils qui auront été sujets à une mauvaise utilisation, à une négligence ou à un accident.

Si des réparations ou des pièces de rechange sont nécessaires, vous êtes priés d'écrire à:

De' Longhi CANADA
1040 Ronsa Court
MISSISSAUGA, ONTARIO
L4W 3Y4 CANADA



WARRANTY

All DE' LONGHI electrical appliances are guaranteed to be free from defects in material and workmanship. Our obligation under this warranty is limited to the replacement or repair, free of charge, at our factory or authorized Service Centers, of any defective part or parts thereof other than parts damaged in transit, which shall be returned to us, transportation pre-paid, within one year from the date of delivery to the purchaser/user. This warranty shall apply only if the appliance is used in accordance with the factory directions which accompany it, and on an alternating current (AC) circuit. This warranty is in lieu of all other express or implied warranties and representations and any other obligation or responsibility of the manufacturer. No other person or company is authorized to assume for us any liability in connection with the sale or use of our products.

This warranty does not cover appliances that have been repaired or modified outside our factory, nor to appliances which have been subject to misuse, negligence or accidents.

If repairs become necessary or spare parts are needed, please write to:

De' Longhi CANADA
1040 Ronsa Court
MISSISSAUGA, ONTARIO
L4W 3Y4 CANADA



PRECAUCIONES IMPORTANTES

Al utilizar dispositivos eléctricos se deben observar algunas medidas básicas de seguridad. He aquí algunas de ellas:

- Lea todas las instrucciones.
- No toque las superficies calientes: sírvase de las asas y los selectores.
- No moje el aparato, ya que podría ocasionar una descarga eléctrica. Siga las instrucciones que se dan para la limpieza.
- Extreme los controles cuando el aparato sea utilizado por o cerca de los niños.
- Desenchufe el aparato para limpiarlo y cuando esté fuera de uso. Antes de desenchufarlo, ponga el selector en APAGADO. Déjelo enfriar antes de colocarle o extraerle algún componente y para limpiarlo.
- No utilice el aparato si el cable o el enchufe están deteriorados, o si ha sufrido algún daño. Llévelo al servicio técnico más cercano para su revisión, reparación o ajuste.
- El uso de accesorios no recomendados puede ser causa de accidentes.
- No utilice el horno al aire libre.
- No deje que el cable cuelgue de la encimera, ni que toque ninguna superficie caliente
- No coloque el aparato encima ni cerca de quemadores de gas o placas radiantes encendido o también en un horno calentado.
- Primero, insertar siempre el enchufe en el aparato y luego conectar el cable en el tomacorriente. Para desconectar el cable, colocar en "OFF" cualquier mando y luego sacar el enchufe del tomacorriente.
- No utilice el aparato para usos diversos de los previstos.

CONSERVE ESTAS INSTRUCCIONES

INSTRUCCIONES PARA EL CABLE CORTO

- Se suministra un cable de alimentación corto para reducir los riesgos consecuentes de un enganche o tropezadura con un cable largo.

Se encuentran disponibles cables de alimentación separables más largos o cables de prolongación, los cuales se podrán utilizar con tal de que se preste la máxima atención.

Si se utiliza un cable de prolongación, los valores eléctricos contrasñados tienen que ser por lo menos equivalentes a los del aparato. El cable más largo tiene que estar predispuesto de modo que no se apoye sobre la superficie del banco o de la mesa, ya que podría ser halado por los niños y las personas podrían tropezarse.

Su aparato está provisto de un enchufe polarizado para línea de corriente alterna (un enchufe que tiene una espiga más larga que la otra). Este enchufe se adaptará en el tomacorriente de una sola manera, la cual es una característica de seguridad. Si no logra introducir completamente el enchufe en el toma corriente, inviértalo. Si el enchufe no entra aún, llame al electricista de manera de que sustituya el tomacorriente anómalo. No eludir el objetivo de seguridad del enchufe polarizado.

DESCRIPCIÓN DEL APARATO

(ver el dibujo de la pág.3)

La siguiente terminología y las letras de referencia serán utilizadas continuamente en las páginas sucesivas.

- A. Caldera
- B. Tapón
- C. Selector del vapor
- D. Tapadera del depósito de leche
- E. Depósito de la leche
- F. Cable de alimentación
- G. Recipiente recolector de gotas
- H. Adaptador para las tazas
- I. Jarra con tapadera
- M. Filtro
- N. Medidor
- O. Selector de café FUERTE, NORMAL O LIGERO y CAPUCHINO
- P. Interruptor luminoso
- Q. Indicador piloto OK vapor listo
- R. Emulsionador
- S. Campana anti salpicaduras

PREPARACIÓN DEL CAFÉ

1. Desenroscar el tapón (B) de la caldera girándolo en el sentido contrario al de las agujas del reloj.
2. Utilizando la jarra (I) en dotación (fig.1) echar agua en la caldera (fig.2) respetando las cantidades indicadas en la tabla al final del texto. No superar las cantidades indicadas pues podría provocar un mal funcionamiento del aparato. El llenado de la caldera debe ser efectuado con el interruptor luminoso (P) apagado.
3. Cerrar con atención el tapón de la caldera girándolo en el sentido de las agujas del reloj.
4. Introducir el filtro en la copita (fig.3)
5. Utilizando el medidor (N) verter el café en el filtro respetando las cantidades indicadas en la tabla del final del texto, distribuirlo uniformemente (fig.4). Utilizar café de molienda mediana, porque si se usa el café molido demasiado fino, se puede obstruir (el café para cafetera va bien).
6. Eliminar el café que sobra de los bordes del filtro (fig.5).
7. Para enganchar la copita a la máquina, colocar la copita debajo de la ducha de la caldera (fig.6) alineando el mango de la misma con la flecha marcada en la tapadera de la máquina (fig.7). Empujar la copita hacia arriba y contemporáneamente girarla hacia la derecha hasta el tope. No tiene importancia si el mango de la copita porta

filtro no resulta centrado respecto a la máquina, sin embargo es importante que la copita esté bien introducida en su sede.

8. La jarra con tapadera debe estar colocada debajo de la copita porta filtro, de forma que el pico de la copita se encuentre en el interior de la apertura efectuada en la jarra (fig.8).
9. Regular el selector (O) en el tipo de café que desean obtener: "LIGHT" para un café abundante, "2 MEDIUM" para un café normal, "3 STRONG" para un café fuerte (fig.9).
10. Verificar que el selector (C) de vapor está bien cerrado y pulsar el interruptor luminoso. Se enciende el indicador luminoso (fig.10).
11. Son necesarios 3 minutos para que empiece a salir el café. Tras la erogación apagar el interruptor luminoso.

CUIDADO: Antes de sacar la copita porta filtro, para evitar resoplidos de vapor, hay que eliminar siempre el vapor sobrante en el interior de la caldera vaciándola completamente, para ello deben girar totalmente el selector de vapor (fig.11).

NOTA: Por motivos de seguridad, cuando la caldera está caliente no es posible abrir el tapón pues da vueltas sin desenroscarse. Si, por algún motivo, es necesario quitarlo, siempre hay que vaciar la caldera girando el selector como hemos descrito en el punto precedente.

12. Para eliminar los fondos de café de la copita, volcarla y sacudirla repetidamente hasta que salgan los restos (fig.12). Como alternativa pueden enjuagar la copita y el filtro debajo del agua corriente. CUIDADO: la primera vez que se utiliza el aparato, para eliminar el olor a nuevo, realicen algún que otro ciclo de café sin utilizar el polvo.

MONTAJE DEL ADAPTADOR

El adaptador (H) debe ser utilizado cada vez que se desea preparar el café directamente en la taza.

Para montarlo es suficiente introducirlo en la parte inferior de la copita (fig.13).

PREPARACIÓN DE LOS CAPUCHINOS

1. Echar en el jarro la cantidad de leche indicada en la tabla al final del texto y luego verterla en el depósito de la leche (E). No superar nunca el nivel MAX marcado en el depósito (fig.15) pues podría suceder que la máquina siga goteando leche por el tubito del depósito aun después de haber acabado de hacer la espuma. Es necesario usar leche fresca y sin hervir, sobre todo no caliente.

2. Preparar el café como se ha descrito en el párrafo "PREPARACIÓN DEL CAFÉ" desde el punto 1 hasta el punto 10 pero utilizando la cantidad de agua necesaria para obtener 2 capuchinos, como aconsejado en la tabla al final del texto. Notar que la cantidad de agua para preparar 2 capuchinos es mayor que la cantidad necesaria para preparar 2 cafés pues también es necesario el vapor para emulsionar la leche. El selector de café (O) tiene que encontrarse en la posición "2 MEDIUM".
3. Erogar el café en el interior de la jarra hasta alcanzar el nivel 2 marcado en la jarra misma. CUIDADO: Con la línea 2 no debe colmar el nivel de la crema de color más claro sino el nivel de café de color más oscuro que se encuentra un poco más abajo de la crema. Esta operación debe ser efectuada con mucha atención: en efecto si el nivel de café supera la línea 2, al final no habría suficiente vapor para formar la espuma de la leche. Verter el café en dos tazas dividido en partes iguales.
4. Colocar el selector de café en "4 CAPUCHINO".
5. Colocar primero una taza y luego la otra, ya con café, debajo del tubito del depósito de la leche y esperar hasta que se enciende el indicador piloto "OK vapor listo" (Q, fig.16). Si utilizan tazas de pequeñas dimensiones, para evitar las salpicaduras de la leche, es necesario poner la campana (S) anti salpicaduras sobre el tubo del depósito de leche (fig.17).
6. Girar el selector de vapor en el sentido contrario al de las agujas del reloj, la leche batida empieza a salir por el tubito. Para obtener una buena espuma y evitar salpicaduras de leche es necesario girar el selector por lo menos 1 vuelta entera. Continuar la operación hasta vaciar la mitad del depósito de leche, luego cierran el vapor girando el selector en el sentido de las agujas del reloj.
7. Llenar también la segunda taza repitiendo la precedente operación hasta vaciar todo el depósito de leche. CUIDADO: antes de llenar la segunda taza, es mejor esperar hasta que se enciende el indicador piloto "OK vapor listo" (fig.16).
8. Inmediatamente después de haber preparado los capuchinos, verter en el depósito de leche un poco de agua y poner la jarra debajo del tubito del depósito de la leche. Girar el selector de vapor y dejar que se vacíe completamente de éste (un minuto aproximadamente). CUIDADO: Aunque puede parecer inútil, esta operación debe ser absolutamente efectuada

cada vez para vaciar completamente la caldera de eventuales residuos de agua o vapor que, de otra forma, crearían un mal funcionamiento al emplear la máquina en un momento sucesivo. Además esta operación sirve para limpiar todos los orificios del emulsionador y para vaciar los circuitos internos de eventuales residuos de leche.

LIMPIEZA Y MANUTENCIÓN

Antes de efectuar cualquier operación de limpieza o de mantenimiento, desenchufar el aparato desconectando la clavija de la toma de corriente.

Limpieza del dispositivo para formar la espuma en la leche

La limpieza del dispositivo debe ser efectuada cada vez que ha sido utilizado. Actuar de la siguiente manera:

- Quitar el depósito de leche pulsando "PRESS" y contemporáneamente tirando hacia arriba, lavarlo con agua caliente (fig.18).
- Quitar el emulsionador (R) pulsando la tecla (A) y contemporáneamente tirando hacia arriba (fig.19). Quitar el mezclador de goma (fig. 20), lavar y limpiar con agua caliente todos los orificios indicados en la fig. 21 (limpiar todos los orificios con una aguja). Asegúrense de que el orificio indicado con la flecha B no esté obstruido (fig. 21). Cuando todos los elementos están limpios hay que volver a montarlos correctamente. Si no se realiza esta limpieza cada vez, tras haber usado el aparato, puede suceder que la próxima ocasión no se consiga hacer bien la espuma de la leche, que la leche misma no sea aspirada o que la leche gotee del tubo del depósito de leche.

Otras limpiezas

- Limpiar regularmente también la jarra, la copita y el filtro.
- Para limpiar los componentes de plástico de la máquina, no usar solventes ni detergentes abrasivos. Es suficiente un paño suave.
- No sumergir NUNCA el aparato en el agua.

DESCALCIFICACIÓN

Si el agua de la zona donde viven es dura, los minerales y la caliza contenidos en ella se acumulan con el pasar del tiempo. Los depósitos de caliza pueden comprometer el buen funcionamiento del aparato.

Cada 6 meses aproximadamente (según la dureza del agua) es necesario decalcificar su máquina de café con vinagre.

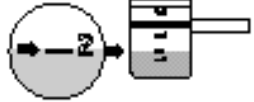



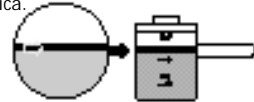
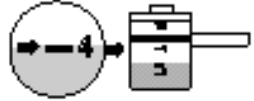
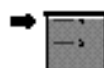
Actuar de la siguiente manera:

1. Llenar la jarra con vinagre y verterlo en la caldera.
2. Cerrar bien el tapón.
3. Enganchar la copita porta filtro.
4. Colocar la jarra debajo de la copita porta filtro.
5. Encender la máquina y colocar el selector de café en la posición "1LIGHT".
6. Después de algunos minutos, el vinagre caliente bajará a través del porta filtro a la jarra.
7. Colocar un vaso o una taza debajo del tubito de leche. Girar el selector de vapor en el sentido contrario al de las agujas del reloj por un instante.

8. Al acabar, apagar el aparato y dejar que se enfríe. Quitar la jarra y desenganchar el porta filtro. Enjuagarlos con agua caliente.
9. Repetir estas operaciones por lo menos dos veces con agua fría para eliminar cualquier residuo de vinagre.

ASISTENCIA Y REPARACIÓN

En caso de avería o mal funcionamiento del aparato, dirigirse al centro de asistencia técnica autorizado más cercano a su casa. Las reparaciones efectuadas por personal no autorizado invalidan su garantía.

| Para preparar | Cantidad de agua en la jarra | Cantidad de café en el filtro. | Cantidad de leche en la jarra |
|---------------|--------------------------------------------------------------------------------------------------------------------------------------------------------------------------|-------------------------------------------------------------------------------------|-----------------------------------------------------------------------------------------------------------------------------------------------------------------------|
| 2 cafés | El nivel de agua debe coincidir con la línea del símbolo 2 marcado en la jarra.  |  | |
| 2 capuchinos | El nivel de agua debe coincidir con la línea del símbolo IFD marcado en la jarra.  |  | El nivel de agua debe coincidir con el límite inferior de la banda metálica.  |
| 4 cafés | El nivel de agua debe coincidir con la línea del símbolo 4 marcado en la jarra.  |  | |



Garantía limitada

Garantizamos todo producto DE'LONGHI por defectos de material y mano de obra. Nuestra obligación dentro de esta garantía es proporcionar gratuitamente las refacciones y el servicio durante un año a partir de la fecha de compra. Esta garantía se aplicará únicamente si el producto se utiliza de acuerdo con las anexas instrucciones del fabricante y con un circuito de corriente alterna (AC). Esta garantía reemplaza a cualquier otra garantía y acuerdo, expreso o implícito y a todas las demás obligaciones o responsabilidades de nuestra parte. No autorizamos a ninguna otra persona o compañía a asumir nuestras responsabilidades relacionadas con la venta y el uso de nuestro producto. Esta garantía no implica ninguna responsabilidad de parte nuestra en relación con la venta o el uso de nuestro producto. Esta garantía no es válida para los productos que hayan sido reparados o alterados fuera de nuestra fábrica ni tampoco para los productos que hayan sido sometidos a uso inadecuado, negligencia o accidentes. Si se necesitan reparaciones o refacciones, se ruega escribir a:

DEMOTECNIC S.A.

Col. Parque San Andrés

COYOCÁN

04120 MÉXICO D.F., MÉXICO

Tel. de servicio (5) 549-8362